



US00D949335S

(12) **United States Design Patent**  
**Liu**

(10) **Patent No.:** **US D949,335 S**

(45) **Date of Patent:** **\*\* Apr. 19, 2022**

(54) **COMBINED WIRELESS OTOSCOPE EAR SPOON AND CHARGING STORAGE BASE**

(71) Applicant: **Wudaopu (Shenzhen) Technology Co., Ltd.**, Shenzhen (CN)

(72) Inventor: **Wenping Liu**, Shenzhen (CN)

(\*\*) Term: **15 Years**

(21) Appl. No.: **29/747,855**

(22) Filed: **Aug. 26, 2020**

(30) **Foreign Application Priority Data**

Feb. 26, 2020 (CN) ..... 202030061346.9  
Mar. 13, 2020 (CN) ..... 202030084732.X

(51) **LOC (13) Cl.** ..... **24-02**

(52) **U.S. Cl.**  
USPC ..... **D24/137**

(58) **Field of Classification Search**  
USPC ..... D24/119, 133, 137, 138, 151, 146, 147,  
D24/152

CPC ..... A61F 11/006; A61F 11/00; A61F 11/06;  
A61B 10/02; A61B 10/0291; A61B  
1/227; A61B 2010/0216; A61B 17/50;  
A61B 17/24

See application file for complete search history.

(56) **References Cited**

**U.S. PATENT DOCUMENTS**

D374,077 S \* 9/1996 Butler ..... D24/137  
D377,393 S \* 1/1997 Sams ..... D24/137  
D393,066 S \* 3/1998 Laun ..... D24/137  
D393,067 S \* 3/1998 Geary ..... D24/144  
D406,339 S \* 3/1999 Stacks ..... D24/137  
D408,914 S \* 4/1999 Kimball ..... D24/151  
D422,082 S \* 3/2000 Kimball ..... D24/151  
D422,707 S \* 4/2000 Bock ..... D24/176  
D423,668 S \* 4/2000 Coe ..... D24/137  
D429,333 S \* 8/2000 Sanders ..... D24/137

D439,985 S \* 4/2001 Sanner ..... D24/133  
D450,843 S \* 11/2001 McGuckin, Jr. .... D24/133  
D462,437 S \* 9/2002 Epstein ..... D24/108  
D466,213 S \* 11/2002 Snitkin ..... D24/133  
D468,429 S \* 1/2003 Bareth ..... D24/137  
D532,026 S \* 11/2006 Sosniak ..... D16/130

(Continued)

**OTHER PUBLICATIONS**

Mini Camera Otoscope, [site visited Sep. 9, 2021]. Available from Internet. URL: <https://www.aliexpress.com/item/4000768454643.html> (Year: 2021).\*

*Primary Examiner* — T Chase Nelson

*Assistant Examiner* — Kelly L Gross

(74) *Attorney, Agent, or Firm* — Prakash Nama; Global IP Services, PLLC

(57) **CLAIM**

The ornamental design for a combined wireless otoscope ear spoon and charging storage base, as shown and described.

**DESCRIPTION**

FIG. 1 is a front elevational view of a combined wireless otoscope ear spoon and charging storage base showing my new design;

FIG. 2 is a rear elevational view thereof;

FIG. 3 is a left side view thereof;

FIG. 4 is a right side view thereof;

FIG. 5 is a top plan view thereof;

FIG. 6 is a bottom plan view thereof;

FIG. 7 is a perspective view thereof;

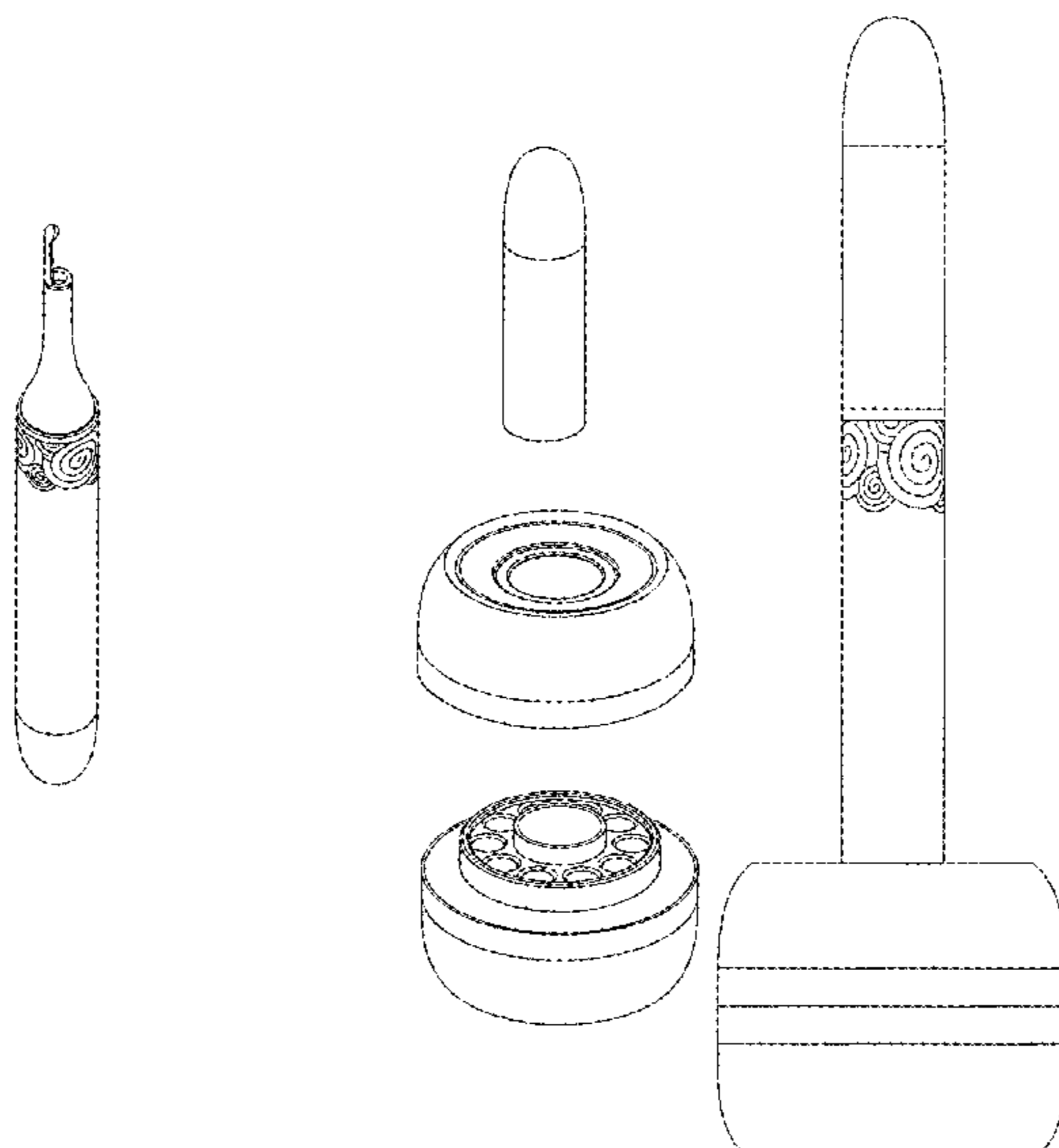
FIG. 8 is another perspective view thereof;

FIG. 9 is a front elevational view in combined state; and,

FIG. 10 is another front elevational view in combined state thereof.

The broken lines show portions of the combined wireless otoscope ear spoon and charging storage base that form no part of the claimed design.

**1 Claim, 10 Drawing Sheets**



(56)

## References Cited

## U.S. PATENT DOCUMENTS

D538,931 S *	3/2007	Oi	D24/138
D547,867 S *	7/2007	Malis	D24/144
D548,334 S *	8/2007	Izumi	D24/111
D551,765 S *	9/2007	Berry Pitts	D24/152
D558,345 S *	12/2007	Witt	D24/152
D564,093 S *	3/2008	Marchand	D24/133
D574,081 S *	7/2008	Berry Pitts	D24/152
D581,566 S *	11/2008	Slawson	D24/135
D594,555 S *	6/2009	Hsu	D24/137
D619,244 S *	7/2010	Van der Stappen	D24/113
D619,707 S *	7/2010	East	A61B 17/4241 D24/133
D629,111 S *	12/2010	Oppelt	D24/169
D634,014 S *	3/2011	Noui	D24/176
D635,256 S *	3/2011	Huang	D24/137
D636,080 S *	4/2011	Goldberg	D24/137
D638,944 S *	5/2011	Smith	D24/176
D646,788 S *	10/2011	Dubs	D24/174
D649,636 S *	11/2011	Bean	D24/133
D653,340 S *	1/2012	Goerge	D24/152
D679,014 S *	3/2013	Jayaraj	D24/144
D679,391 S *	4/2013	Chinowsky	D24/127
D679,837 S *	4/2013	Shahidi Bonjar	D24/152
D687,226 S *	8/2013	Doumoto	D4/101
D703,707 S *	4/2014	Foster	D15/123
D709,191 S *	7/2014	Wood	D24/137
D722,164 S *	2/2015	Graham, II	D24/152
D734,469 S *	7/2015	Zheng	D24/170
D738,502 S *	9/2015	Jian	D24/146
D743,546 S *	11/2015	Jayaraj	D24/144
D745,966 S *	12/2015	Piorek	D24/152
D748,244 S *	1/2016	Petersen	D24/113
D748,245 S *	1/2016	Petersen	D24/113
D752,748 S *	3/2016	Van Dalen	D24/150
D755,383 S *	5/2016	Pfister	D24/144
D758,582 S *	6/2016	Cosmescu	D24/144
D758,988 S *	6/2016	An	D14/138 R
D776,810 S *	1/2017	Tseng	D24/137
D785,176 S *	4/2017	Tseng	D24/152
D794,192 S *	8/2017	Schuerg	D24/144
D794,194 S *	8/2017	Schuerg	D24/144
D799,033 S *	10/2017	Ashman-Stauss	D24/130
D799,694 S *	10/2017	Mori	D24/133
D802,128 S *	11/2017	Im	D24/137
D802,129 S *	11/2017	Im	D24/137
D802,130 S *	11/2017	Im	D24/137
D804,649 S *	12/2017	Perry	D24/108
D805,201 S *	12/2017	Erskine-Smith	D24/152
D809,123 S *	1/2018	Ishikawa	D24/108
D815,738 S *	4/2018	Ye	D24/144
D816,897 S *	5/2018	Corsi	D28/7
D827,823 S *	9/2018	Larsen	D24/146
D829,325 S *	9/2018	Frenkler	D24/138
D832,421 S *	10/2018	Kohler	D24/111
D833,610 S *	11/2018	Pieron	D24/152
D837,372 S *	1/2019	Zu	D24/144
D852,358 S *	6/2019	Matuschek	D24/138
D855,182 S *	7/2019	Ma	D24/152
D862,697 S *	10/2019	Kenworthy	D24/158
D864,378 S *	10/2019	Tafazoli	D24/112
D865,209 S *	10/2019	Nichols	D24/214
D869,643 S *	12/2019	Kelly	D24/112
D882,081 S *	4/2020	Sun	D24/137
D884,893 S *	5/2020	Ma	D24/152
D890,987 S *	7/2020	Lorenz	D28/7
D894,383 S *	8/2020	Berbee	D24/137
D903,896 S *	12/2020	Tianhao	D24/223
D908,160 S *	1/2021	Sun	D16/208
D912,892 S *	3/2021	Tegowski	D28/7
D923,806 S *	6/2021	Bunder von Wurmb	D24/209
D923,809 S *	6/2021	Lucio	D24/217

\* cited by examiner

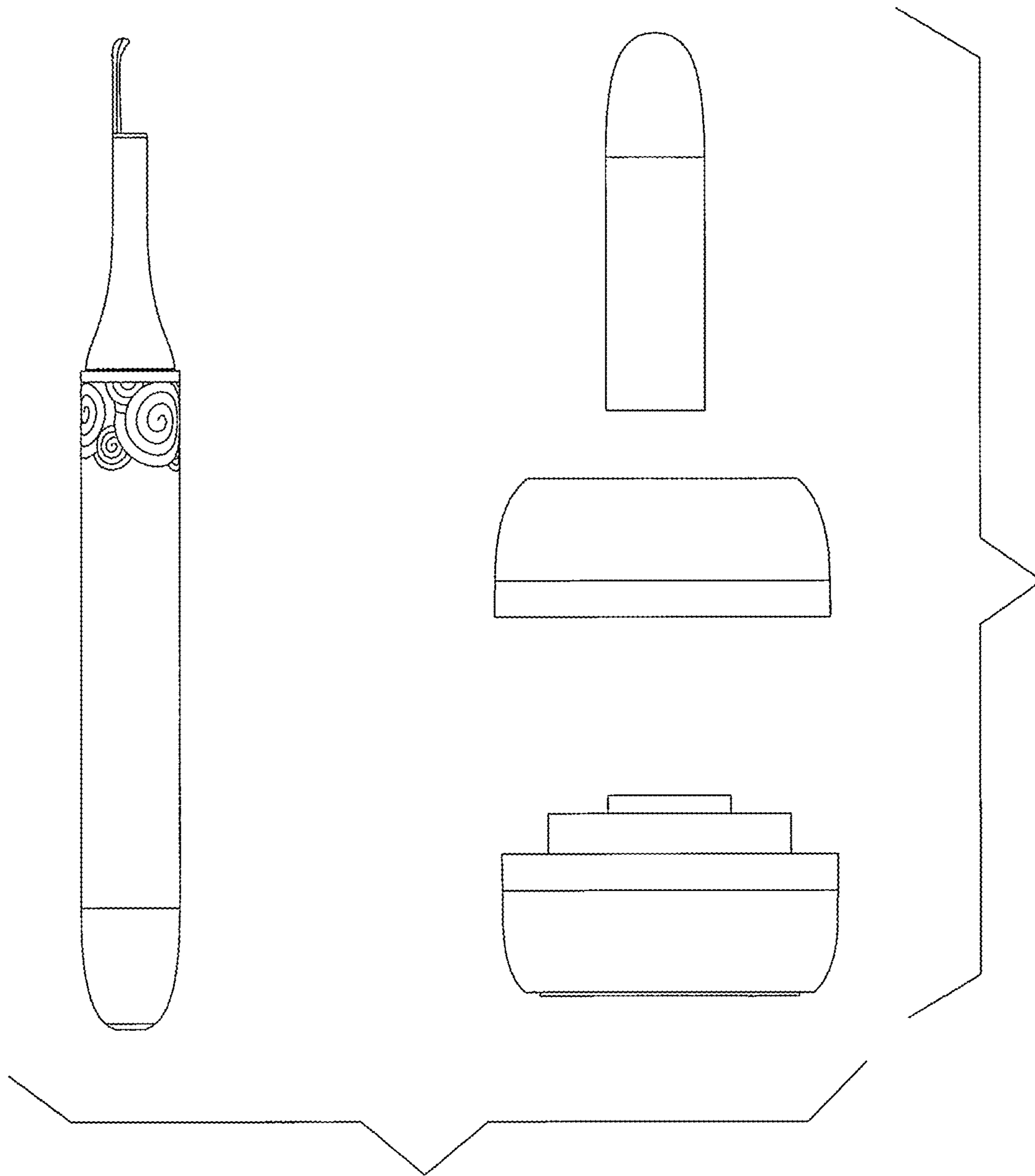


FIG. 1

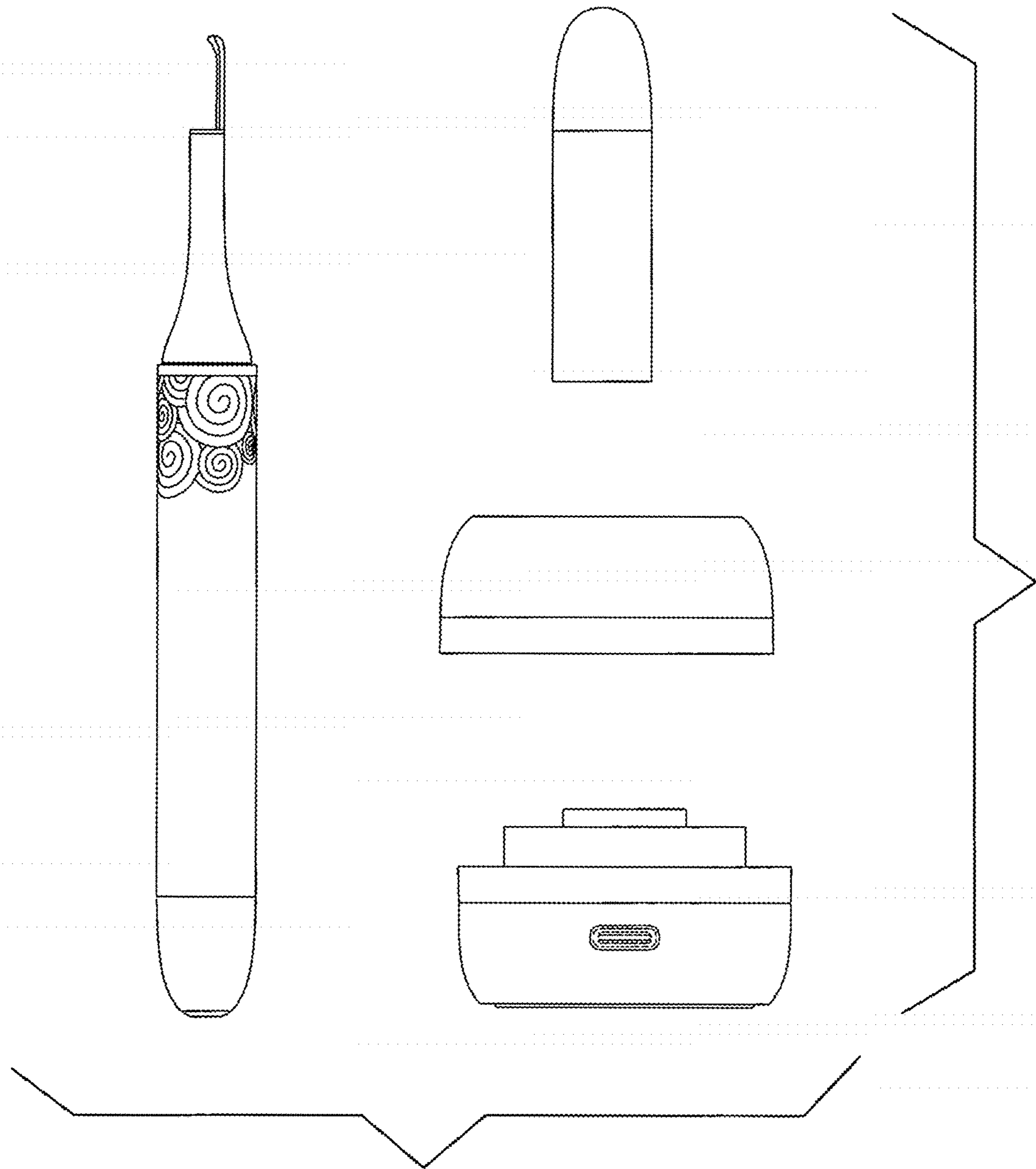


FIG. 2

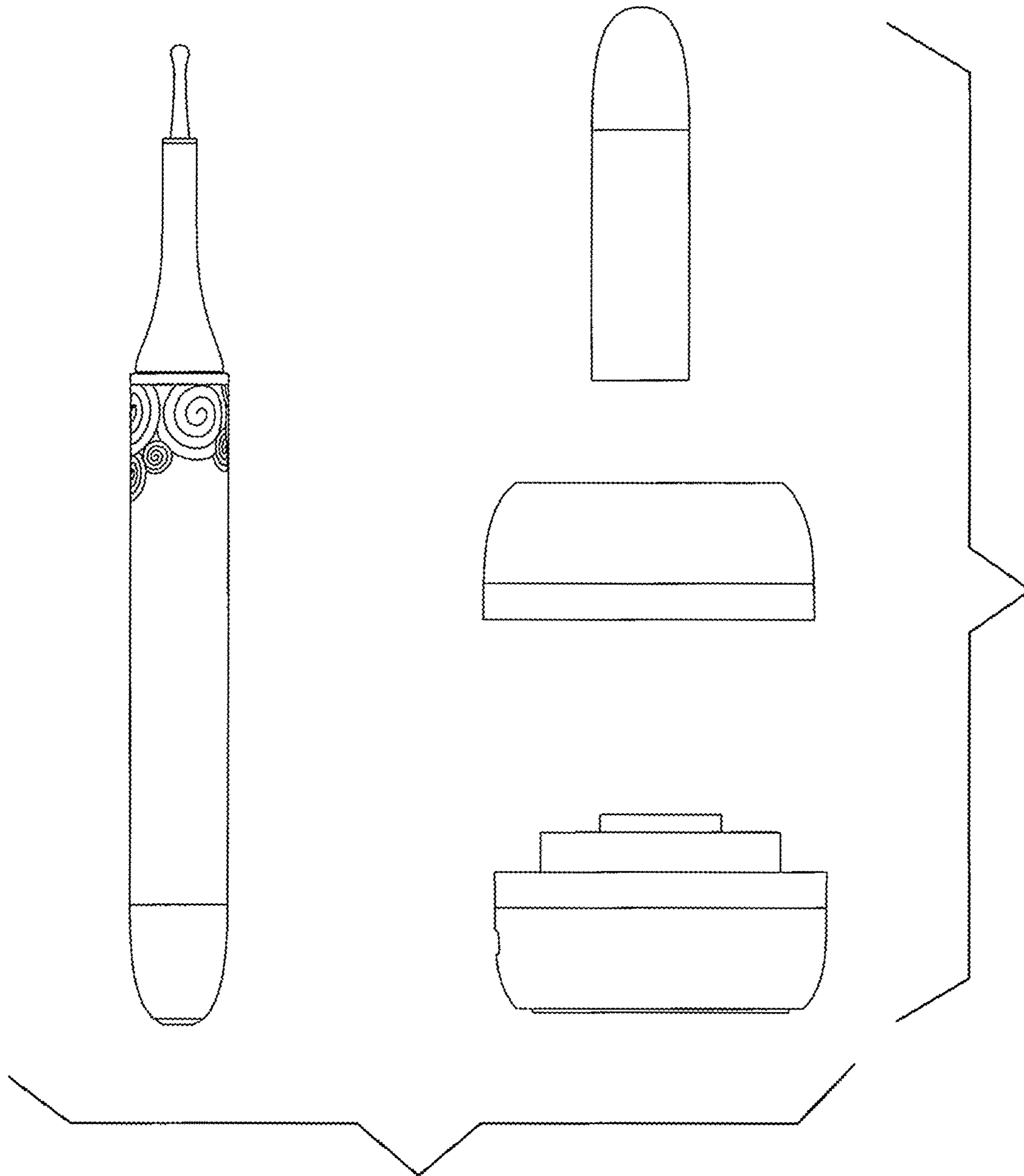


FIG. 3

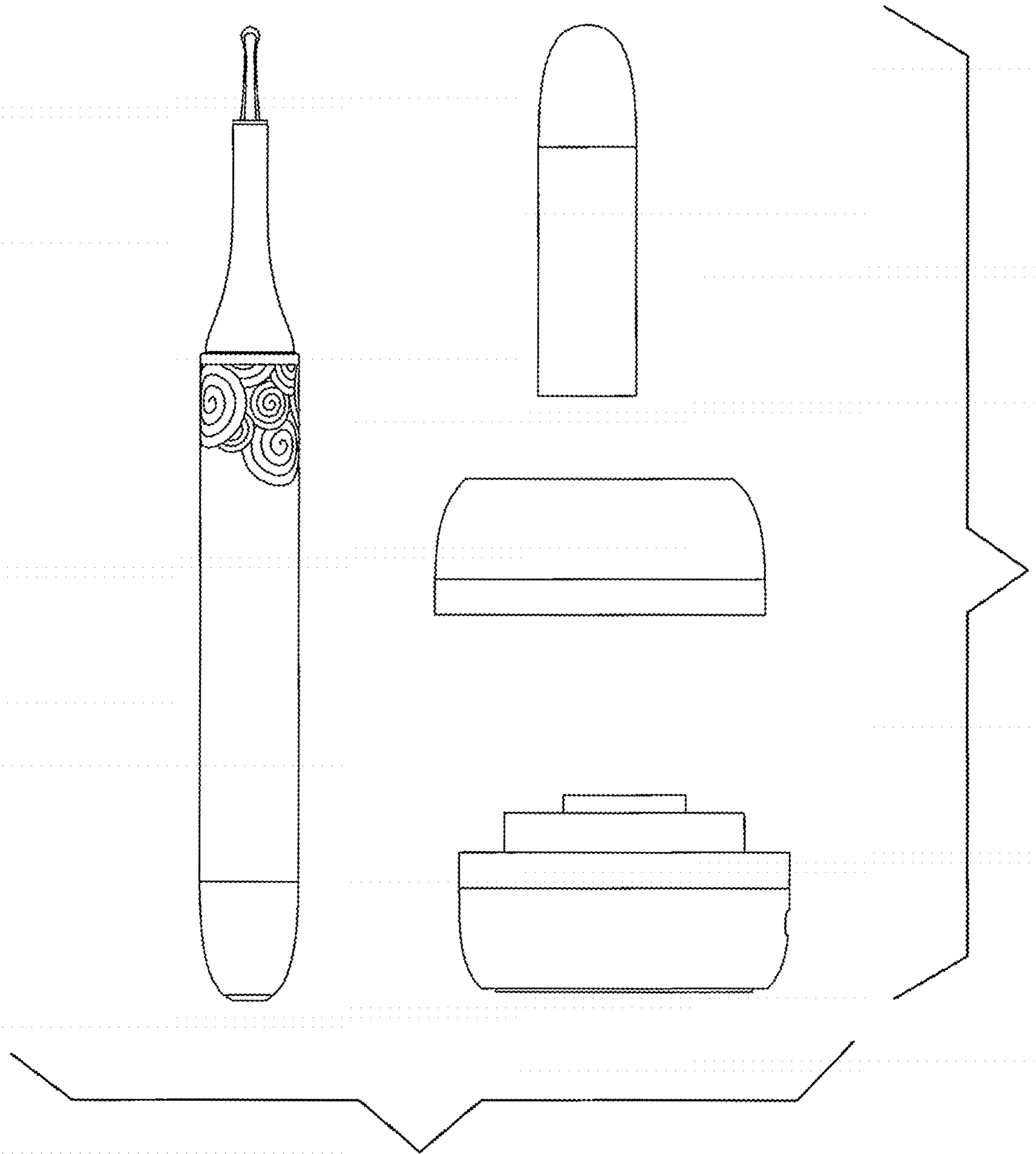


FIG. 4

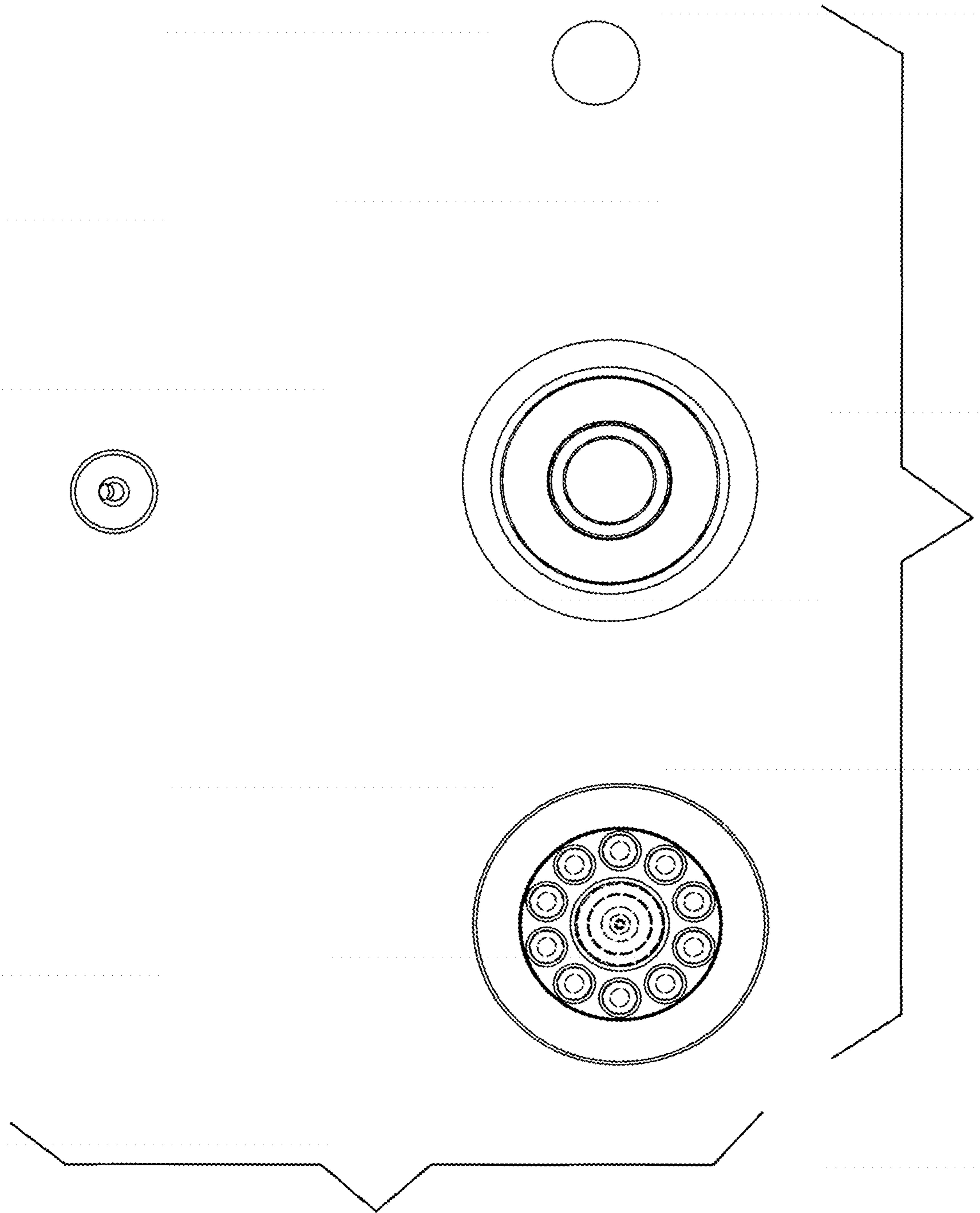


FIG. 5

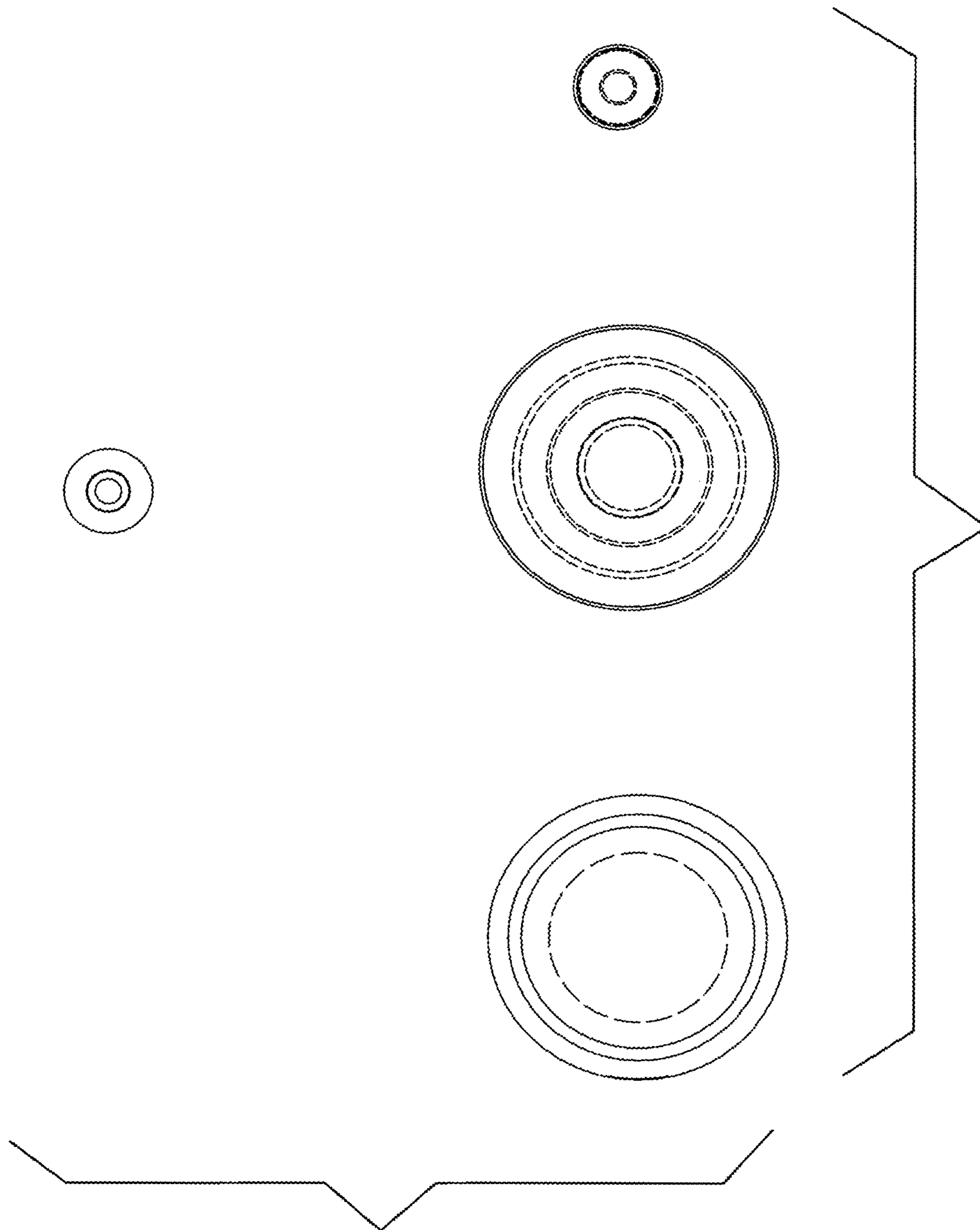


FIG. 6



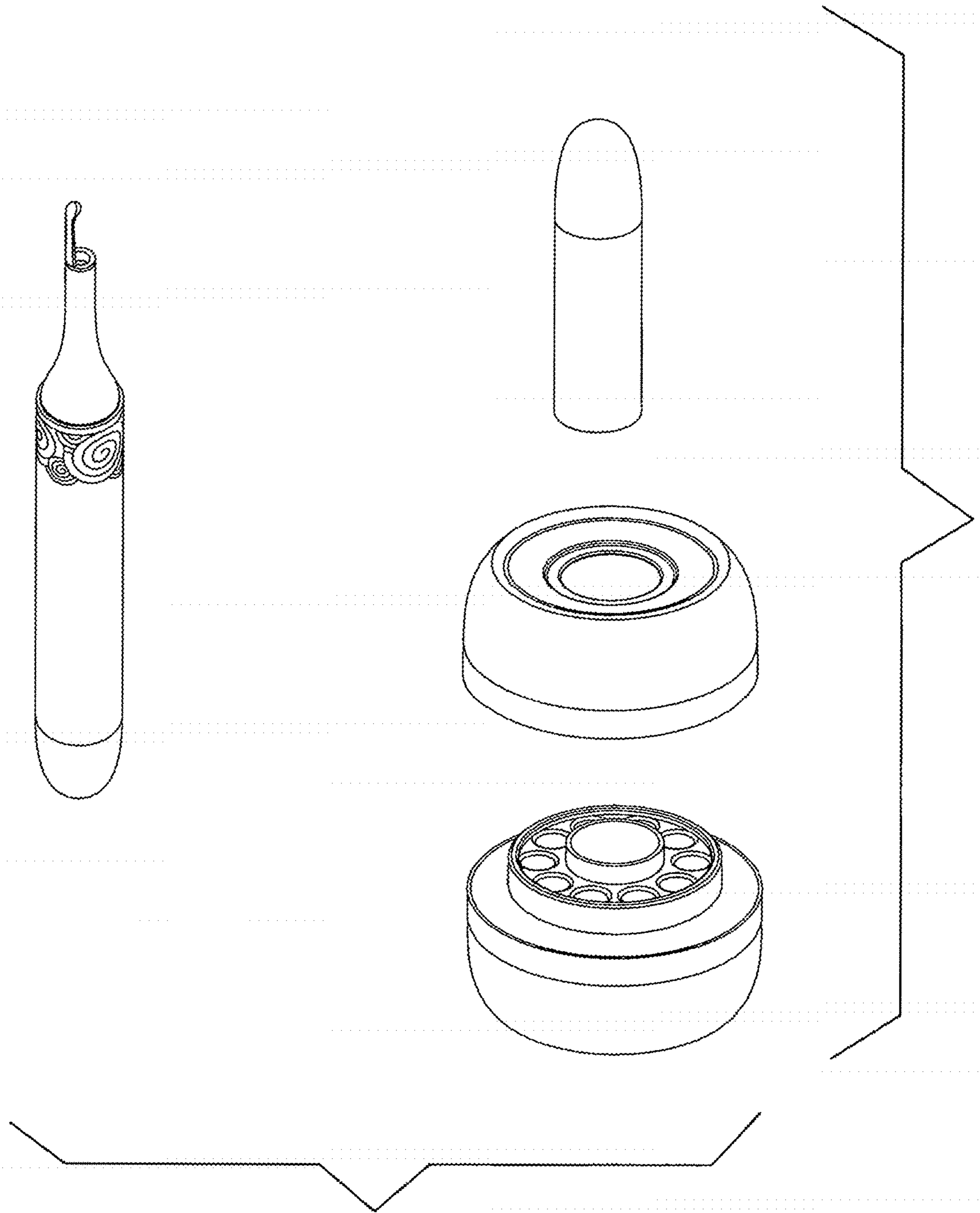


FIG. 7

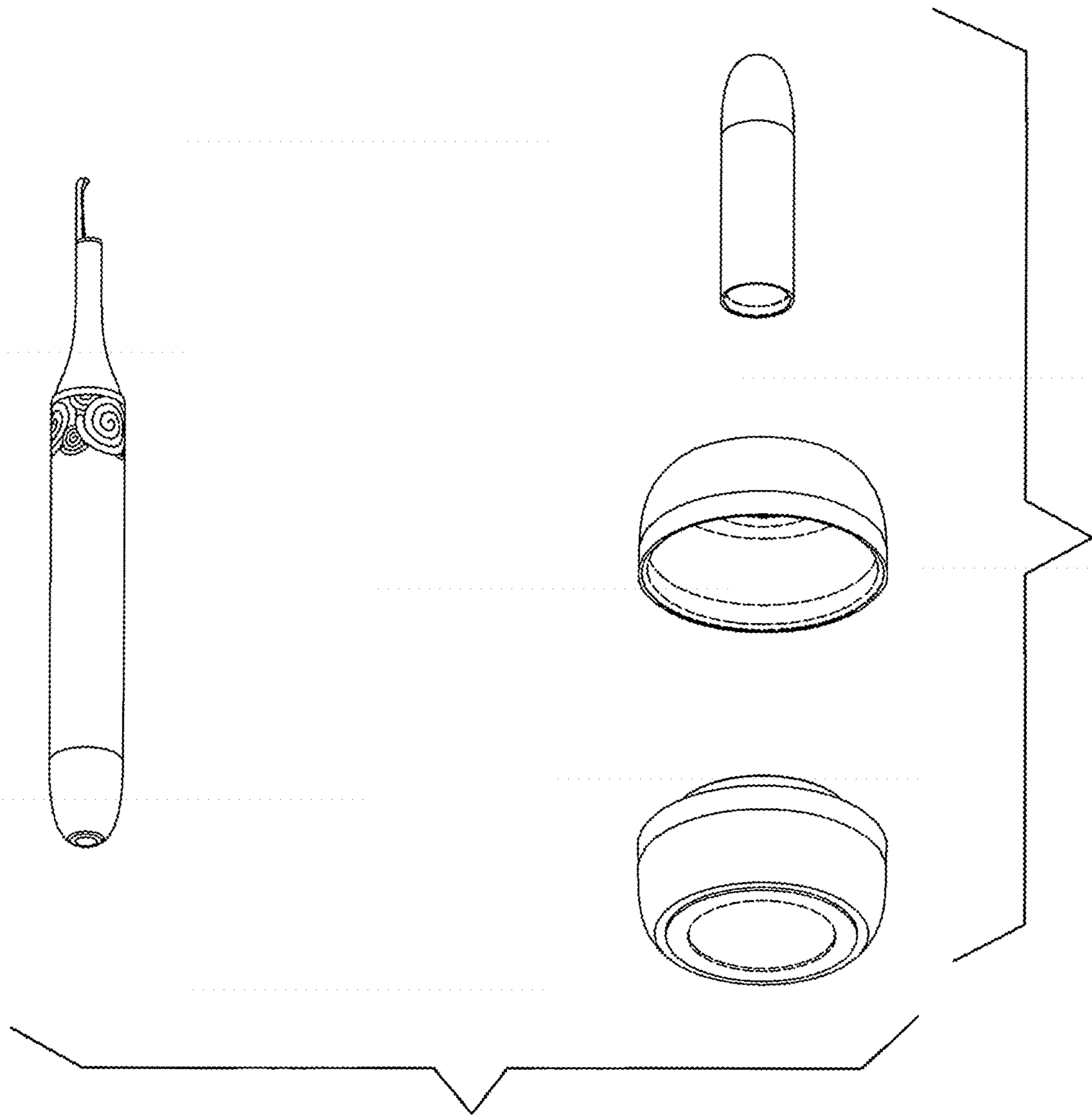


FIG. 8

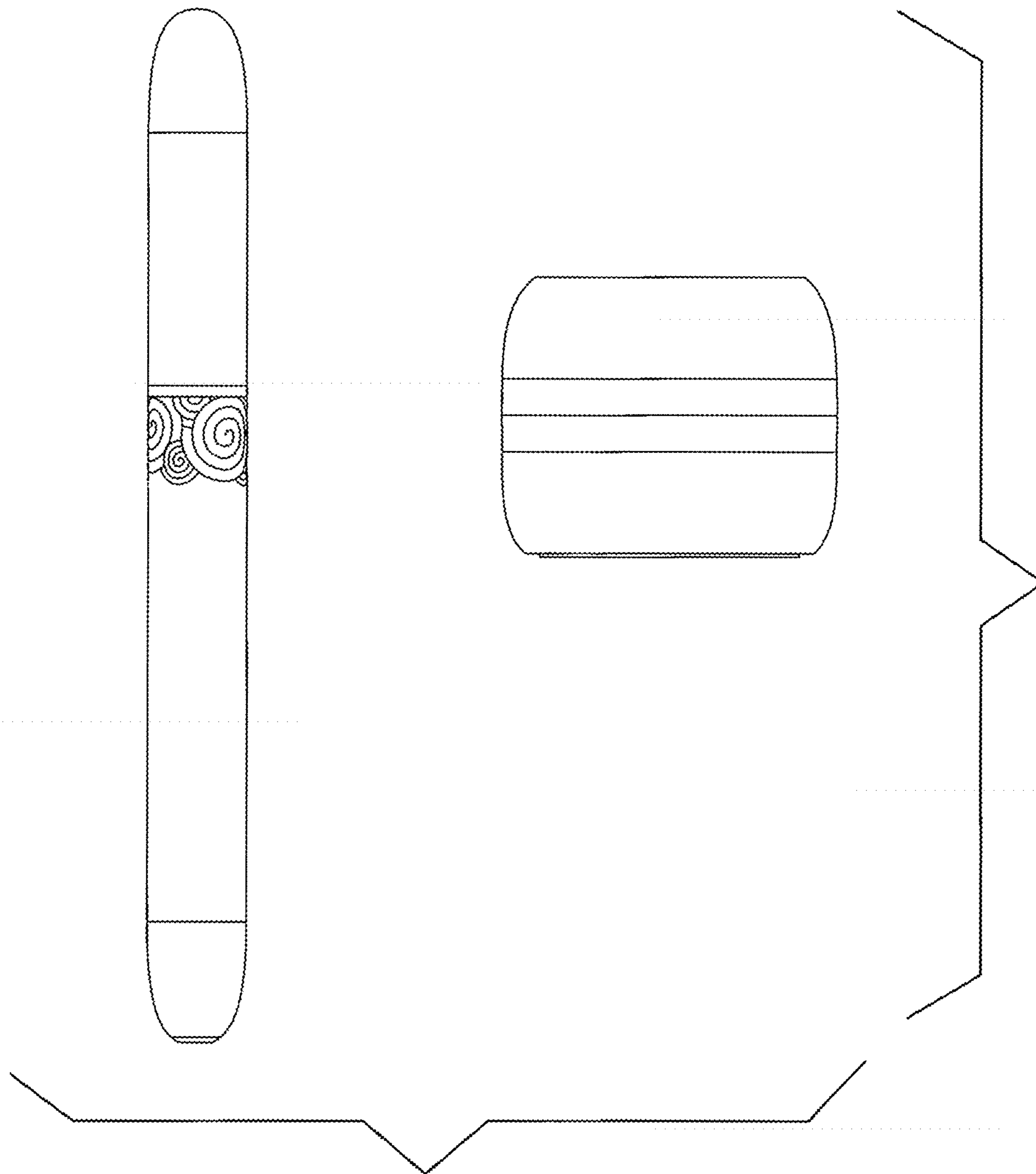


FIG. 9

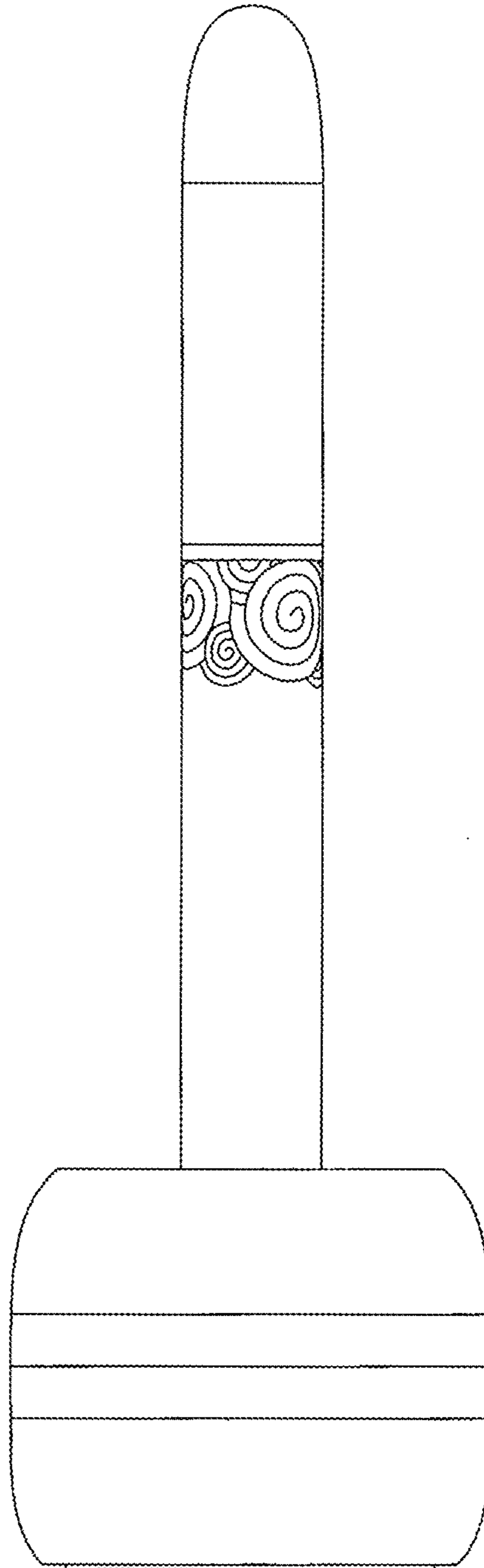


FIG. 10