



US00D949334S

(12) **United States Design Patent** (10) **Patent No.:** **US D949,334 S**
Trujillo et al. (45) **Date of Patent:** **** Apr. 19, 2022**

(54) **INFERIOR TURBINATE ELEVATOR**

D318,116 S * 7/1991 Michelson D24/147
D328,347 S * 7/1992 Santora D24/133
D426,306 S * 6/2000 Maissami D24/152

(71) Applicant: **North Carolina Agricultural and Technical State University**, Greensboro, NC (US)

(Continued)

FOREIGN PATENT DOCUMENTS

(72) Inventors: **Dustin Trujillo**, Jamestown, NC (US); **Simeon Mckelvey**, Lithonia, GA (US); **Tatyana Grant**, Leland, NC (US)

CN 302511903 * 7/2013
RU 2009146978 U 12/2009

Primary Examiner — Bridget L Eland

(73) Assignee: **NORTH CAROLINA AGRICULTURAL AND TECHNICAL STATE UNIVERSITY**, Greensboro, NC (US)

(74) *Attorney, Agent, or Firm* — Jenkins, Wilson, Taylor & Hunt, P.A.

(57) **CLAIM**

(**) Term: **15 Years**

The ornamental design for an inferior turbinate elevator, as shown and described.

(21) Appl. No.: **29/716,164**

DESCRIPTION

(22) Filed: **Dec. 6, 2019**

(51) **LOC (13) Cl.** **24-02**

(52) **U.S. Cl.**
USPC **D24/135**

(58) **Field of Classification Search**
USPC D24/135, 133, 140
CPC A61B 1/00; A61B 1/00147; A61B 17/02; A61B 90/02; A61B 1/227; A61B 17/24; A61B 2018/00327; A61B 5/6815; A61B 17/1679; A61B 17/1771; A61B 1/233; A61B 5/6819; A61B 17/1688; A61B 17/1785; G01N 2800/14
See application file for complete search history.

This invention was made with government support under grant number 5R25EB021894 awarded by The National Institutes of Health. The government has certain rights in the invention.

FIG. 1 is a perspective view of an inferior turbinate elevator showing our design;

FIG. 2 is a top plan view of an inferior turbinate elevator of FIG. 1;

FIG. 3 is a bottom plan view of an inferior turbinate elevator of FIG. 1;

FIG. 4 is a right side view of an inferior turbinate elevator of FIG. 1;

FIG. 5 is a left side view of an inferior turbinate elevator of FIG. 1;

FIG. 6 is a front view of an inferior turbinate elevator of FIG. 1; and,

FIG. 7 is a rear view of an inferior turbinate elevator of FIG. 1.

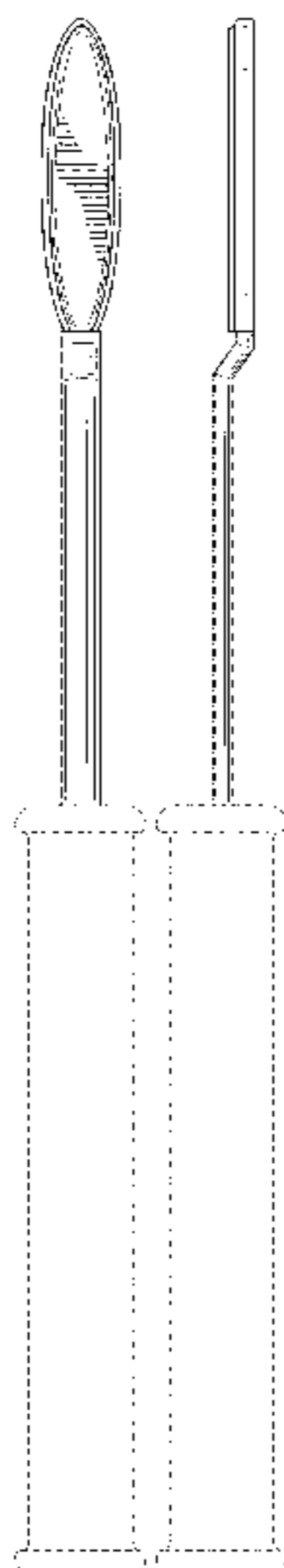
The broken/dotted lines are directed to environment and are for illustrative purposes only; the broken lines form no part of the claimed design. The innermost unshaded surface in the view of FIG. 3 forms no part of the claimed design.

(56) **References Cited**

U.S. PATENT DOCUMENTS

1,766,341 A 6/1927 Kulik
2,555,493 A 2/1949 Kirschbaum
3,495,593 A 2/1970 Snyder
4,206,547 A * 6/1980 Tanaka A61C 3/08
433/141
D265,421 S * 7/1982 Moore D24/147

1 Claim, 6 Drawing Sheets



(56)

References Cited

U.S. PATENT DOCUMENTS

D535,744 S *	1/2007	Wright	D24/135
D571,468 S *	6/2008	Wu	D24/133
D575,398 S *	8/2008	Lash	D24/135
D577,120 S *	9/2008	Wu	D24/133
D593,201 S *	5/2009	Lash	D24/135
D671,641 S *	11/2012	Fritzinger	D24/135
D718,856 S *	12/2014	Altschuler	D24/135
D877,328 S *	3/2020	Alsiddiky	D24/135

* cited by examiner

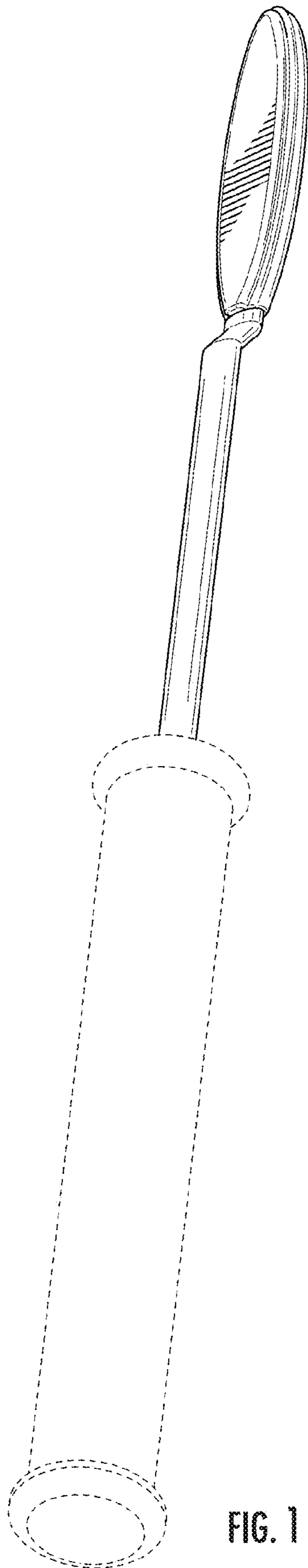


FIG. 1

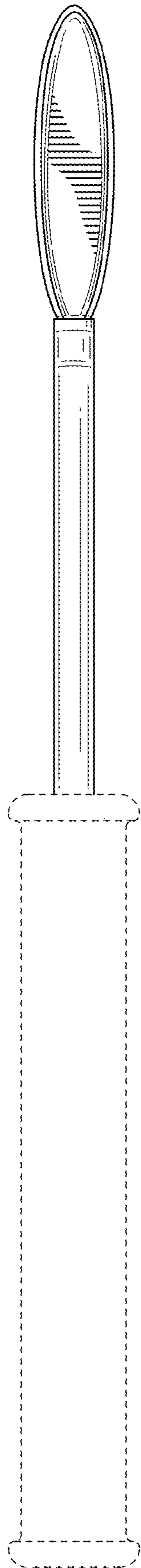


FIG. 2

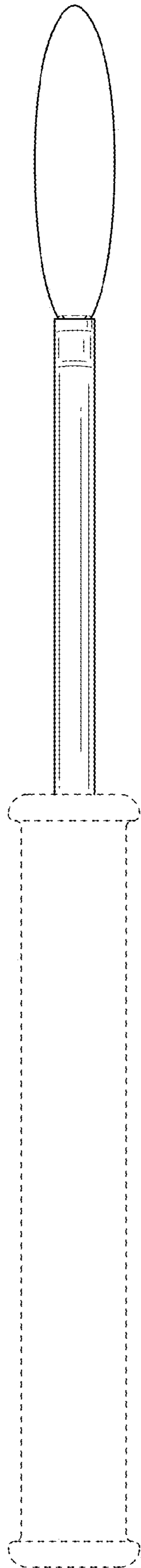


FIG. 3

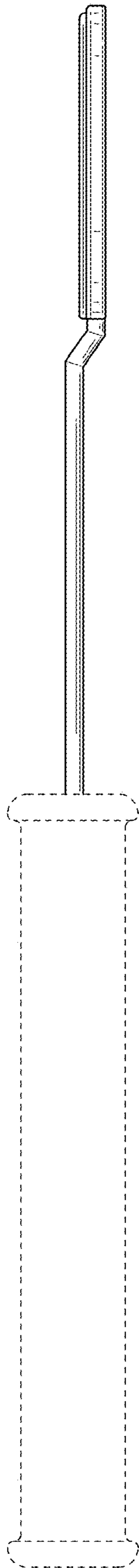


FIG. 4

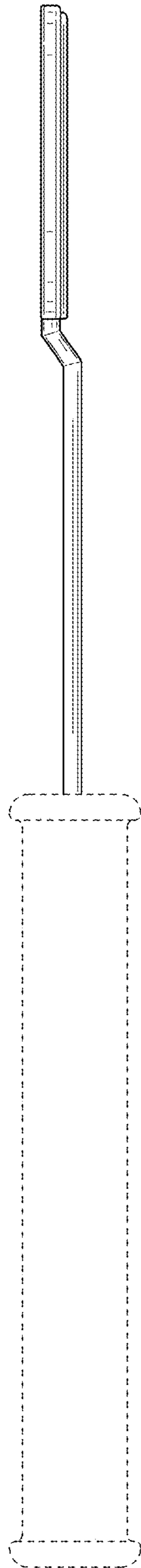


FIG. 5

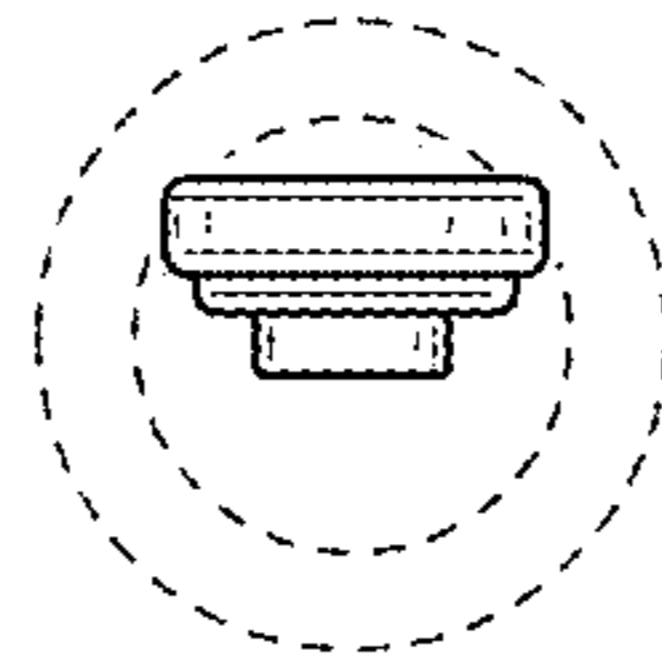


FIG. 6

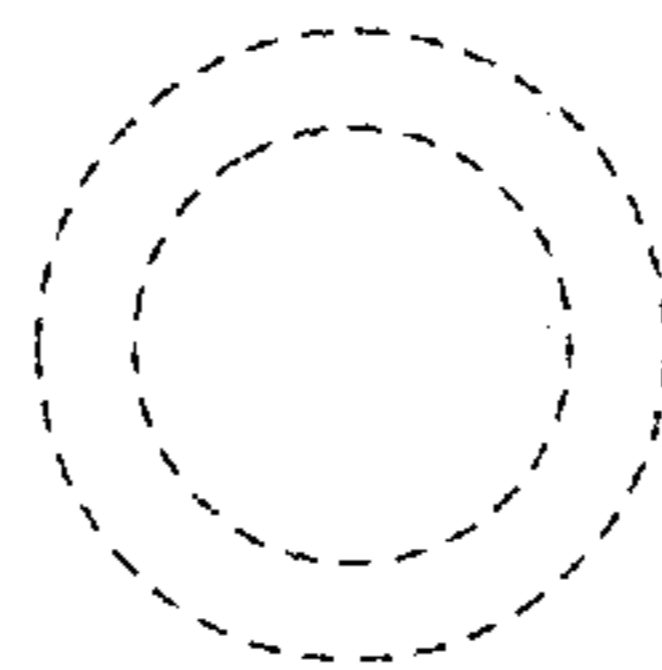


FIG. 7