

US00D949333S

(12) **United States Design Patent** (10) **Patent No.:** **US D949,333 S**
Sauer (45) **Date of Patent:** **** Apr. 19, 2022**

(54) **DOCK FOR SURGICAL EQUIPMENT HOLDER**

(71) Applicant: **LSI Solutions, Inc.**, Victor, NY (US)

(72) Inventor: **Jude S. Sauer**, Pittsford, NY (US)

(73) Assignee: **LSI Solutions, Inc.**, Victor, NY (US)

(**) Term: **15 Years**

(21) Appl. No.: **29/725,716**

(22) Filed: **Feb. 26, 2020**

(51) **LOC (13) Cl.** **24-02**

(52) **U.S. Cl.**
USPC **D24/133; D24/184**

(58) **Field of Classification Search**
USPC D24/128, 135, 155, 159, 183, 184, 190,
D24/133; D15/140, 199; D8/71-73
CPC A61B 2017/0287; A61B 90/50; A61B
1/00149; B25J 11/0005
See application file for complete search history.

(56) **References Cited**

U.S. PATENT DOCUMENTS

D273,044 S *	3/1984	Holcomb	D24/199
D293,470 S *	12/1987	Adler	D24/140
D299,750 S *	2/1989	Garcia	D24/199

(Continued)

OTHER PUBLICATIONS

MiniARM® System. Online, published date unknown. Retrieved on Dec. 19, 2019 from URL: <https://www.lsisolutions.com/products/8/miniarm-system/>.*

(Continued)

Primary Examiner — Susan Bennett Hattan
Assistant Examiner — Omeed Agilee

(74) *Attorney, Agent, or Firm* — Michael E. Coyne

(57) **CLAIM**

The ornamental design for a dock for surgical equipment holder, substantially as shown and described.

DESCRIPTION

FIG. 1 is a front top right perspective view of a dock for surgical equipment holder in accordance with the present invention;

FIG. 2 is an enlarged perspective view thereof taken from area 2 encircled in FIG. 1;

FIG. 3 is an enlarged perspective view thereof taken from area 3 encircled in FIG. 1;

FIG. 4 is an enlarged perspective view thereof taken from area 4 encircled in FIG. 1;

FIG. 5 is an enlarged perspective view thereof taken from area 5 encircled in FIG. 1;

FIG. 6 is a front bottom right perspective view thereof;

FIG. 7 is an enlarged perspective view thereof taken from area 7 encircled in FIG. 6;

FIG. 8 is an enlarged perspective view thereof taken from area 8 encircled in FIG. 6;

FIG. 9 is a rear top right perspective view thereof;

FIG. 10 is an enlarged perspective view thereof taken from area 10 encircled in FIG. 9;

FIG. 11 is a front view thereof;

FIG. 12 is an enlarged perspective view thereof taken from area 12 encircled in FIG. 11;

FIG. 13 is a left side elevational view thereof;

FIG. 14 is a rear elevational view thereof.

FIG. 15 is a right side elevational view thereof;

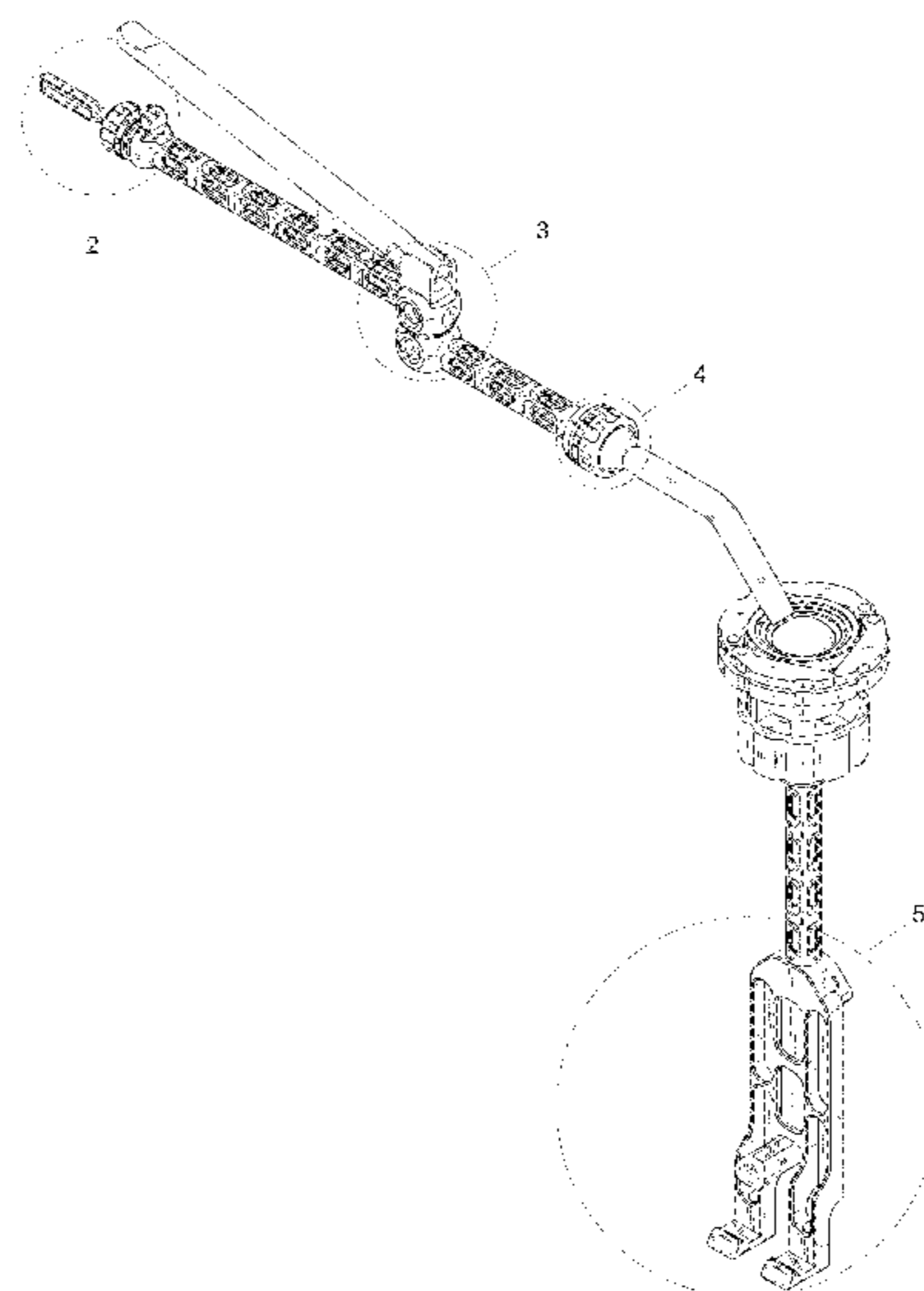
FIG. 16 is a top plan view thereof;

FIG. 17 is an enlarged perspective view thereof taken from area 17 encircled in FIG. 16; and,

FIG. 18 is a bottom plan view thereof.

The broken lines depict portions of the dock for surgical equipment holder that form no part of the claimed design. The dot-dot-dash broken lines in the drawings depict boundaries of the enlarged views and form no part of the claimed design.

1 Claim, 18 Drawing Sheets



(56)

References Cited

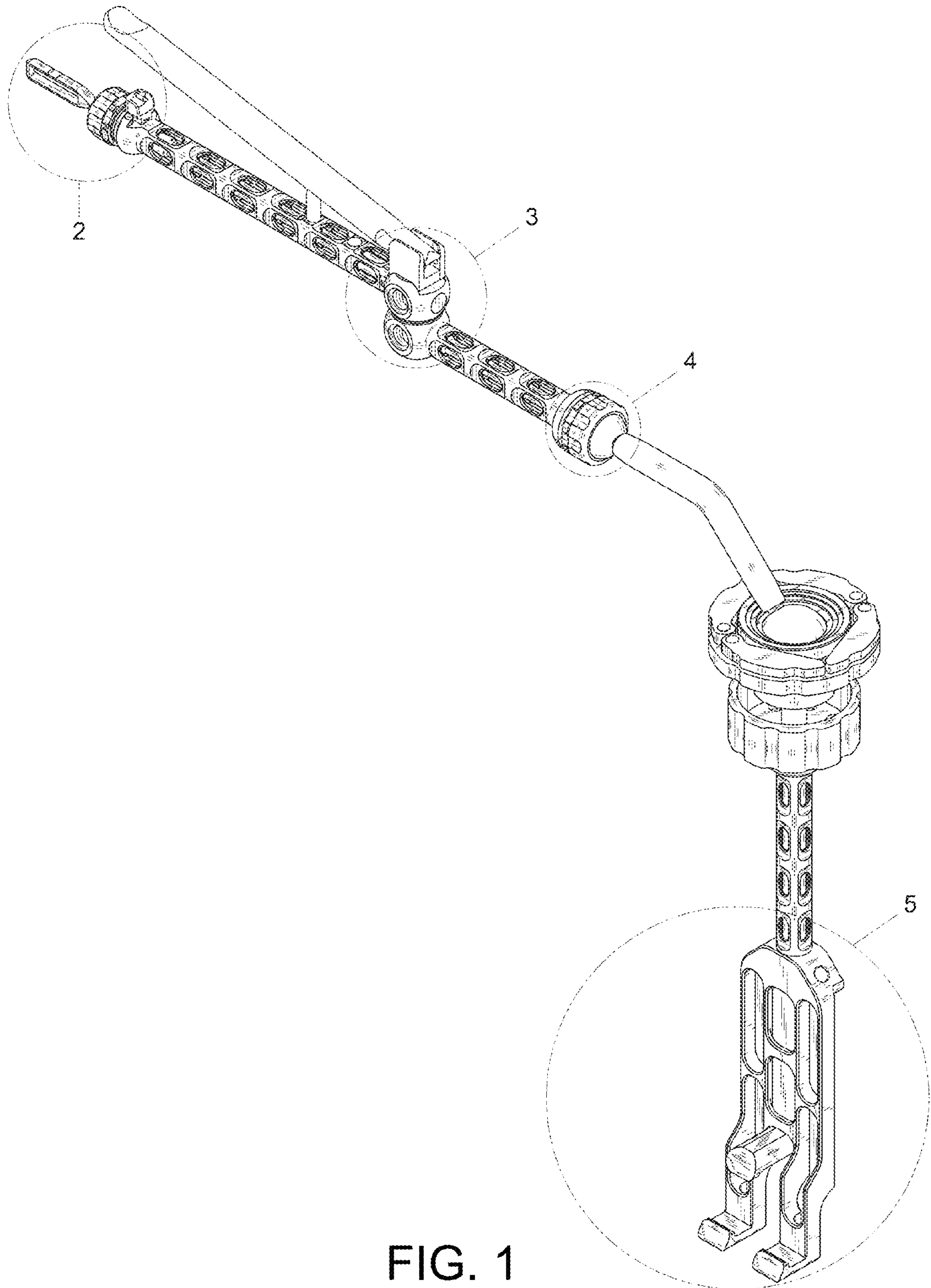
U.S. PATENT DOCUMENTS

D369,413 S * 4/1996 Lodewyck, Jr. D24/199
D388,515 S * 12/1997 Bookwalter D24/138
D389,242 S * 1/1998 Bookwalter D24/138
D420,130 S * 2/2000 Nicholas D24/135
D709,201 S * 7/2014 Silvonen D24/177
D725,694 S * 3/2015 Florey F16M 11/2092
D16/242
D746,474 S * 12/2015 Koros D24/184
D754,227 S * 4/2016 Parrot D15/199
D802,041 S * 11/2017 He D15/199
D814,550 S * 4/2018 Florey D16/242
D873,417 S * 1/2020 Scott D24/185
D873,878 S * 1/2020 Vazquez D15/199
D877,787 S * 3/2020 Kinoshita D15/199
D898,192 S * 10/2020 Sauer D24/133
D898,909 S * 10/2020 Sauer D24/133
D914,780 S * 3/2021 Hammers D15/199
D920,507 S * 5/2021 Sauer D24/133
D921,733 S * 6/2021 Li D15/199
2017/0066130 A1 * 3/2017 Corkum B25J 9/1651
2018/0200896 A1 * 7/2018 Boyland F16D 66/00
2021/0038343 A1 * 2/2021 Sauer F16M 13/022
2021/0059783 A1 * 3/2021 Haraguchi A61B 90/50

OTHER PUBLICATIONS

Endoscope Holders in Cranial Neurosurgery: Part I—Technology, Trends, and Implications. Online, published date May 2016. Retrieved on Jul. 15, 2021 from URL: <https://www.sciencedirect.com/science/article/pii/S1878875016001406>.*

* cited by examiner



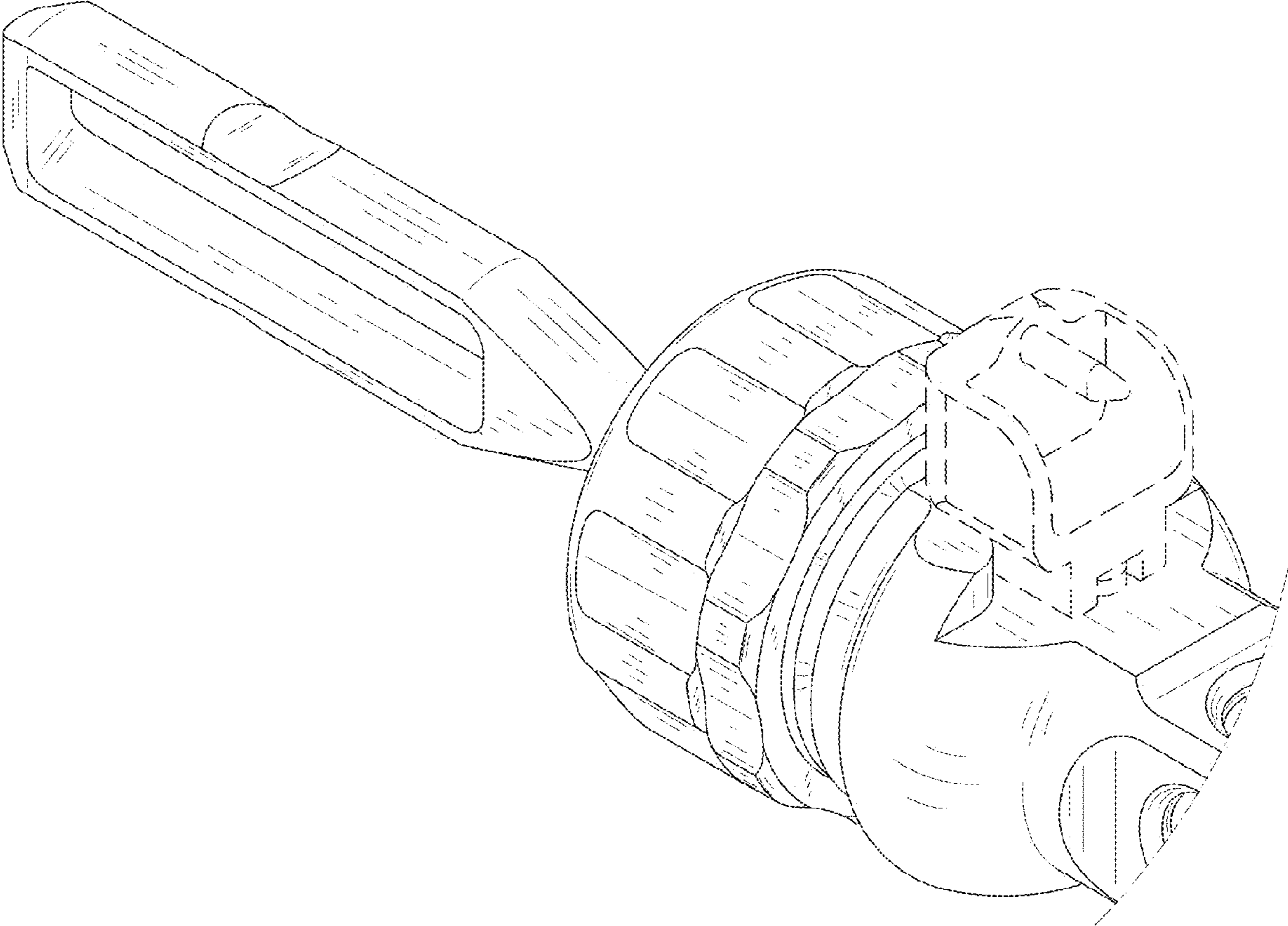


FIG. 2

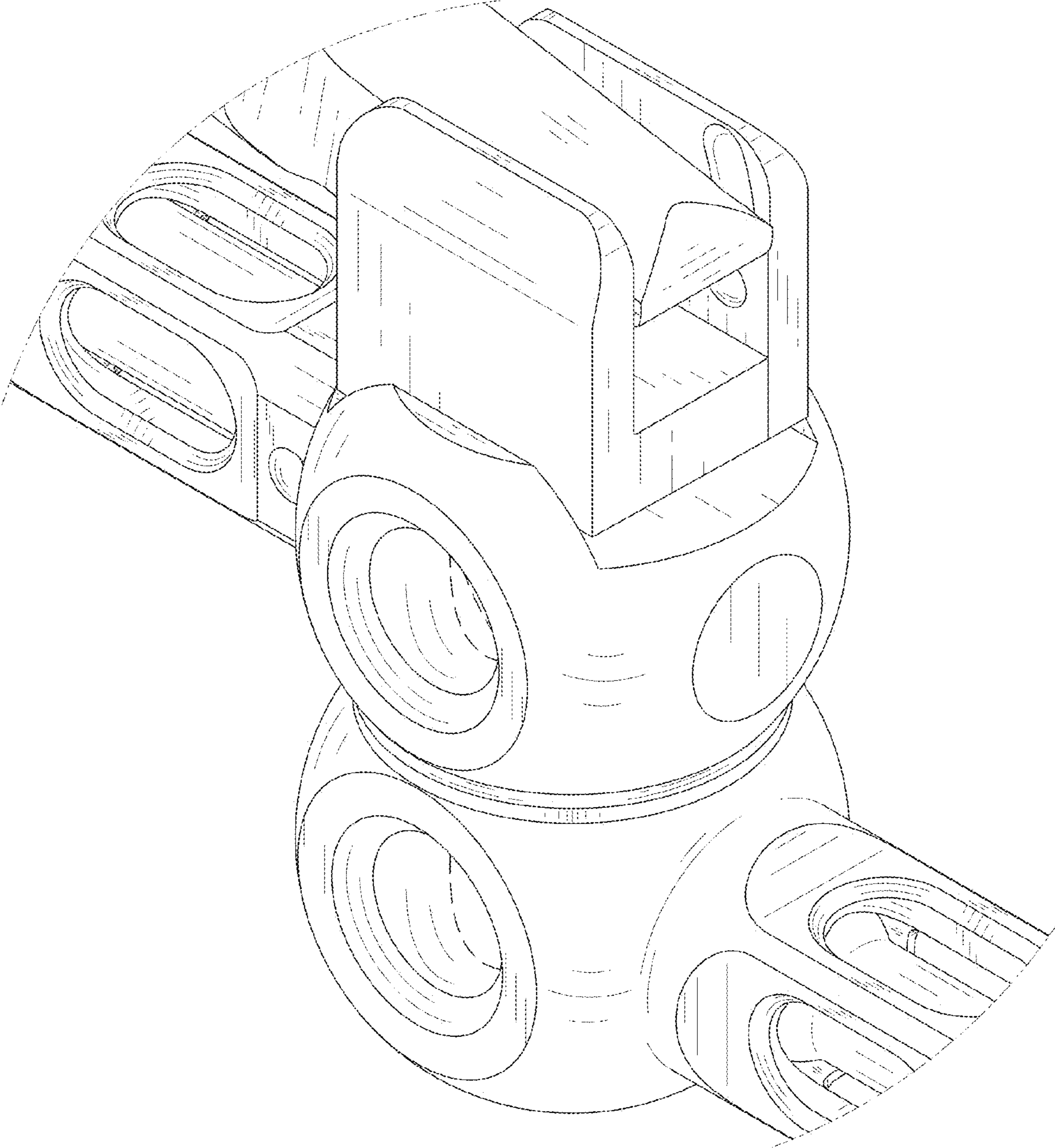


FIG. 3

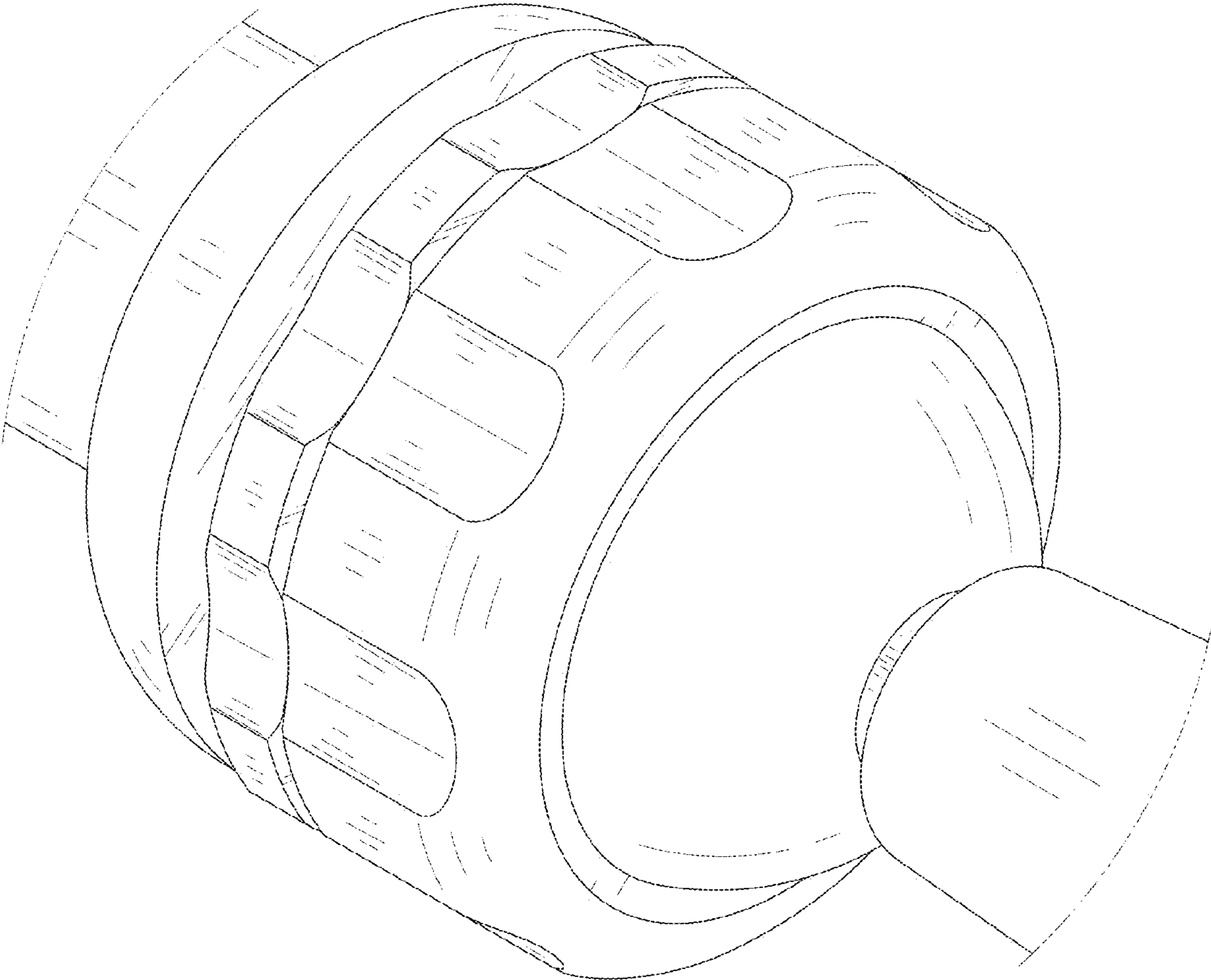


FIG. 4

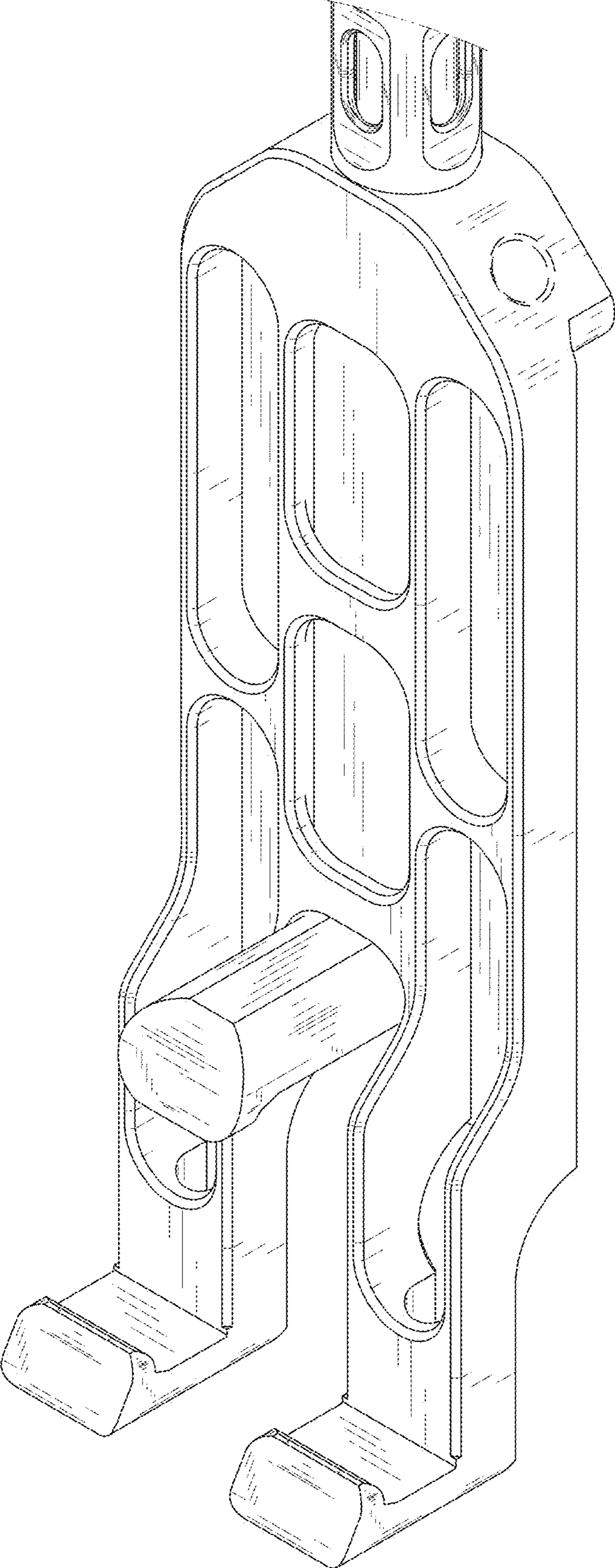


FIG. 5

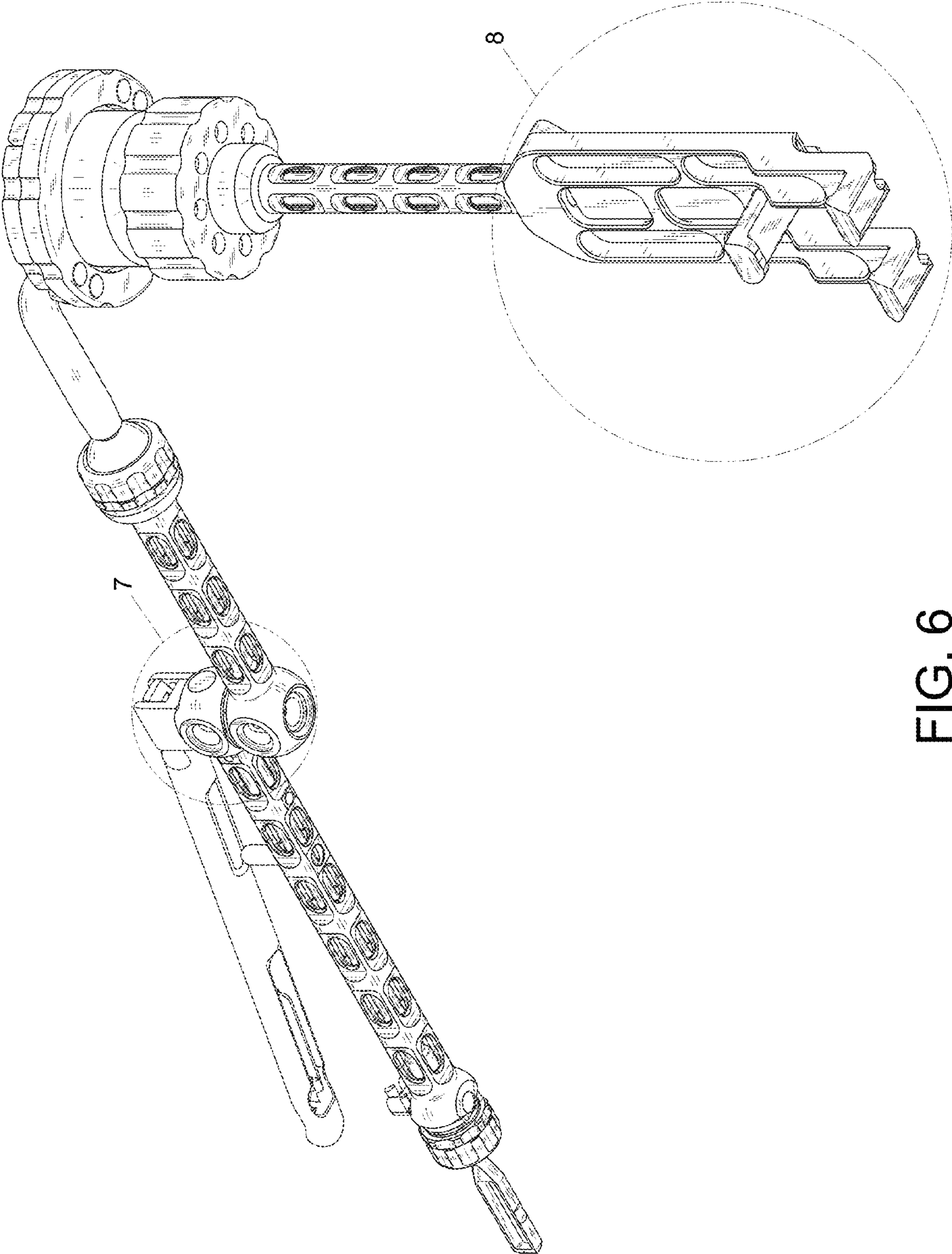


FIG. 6

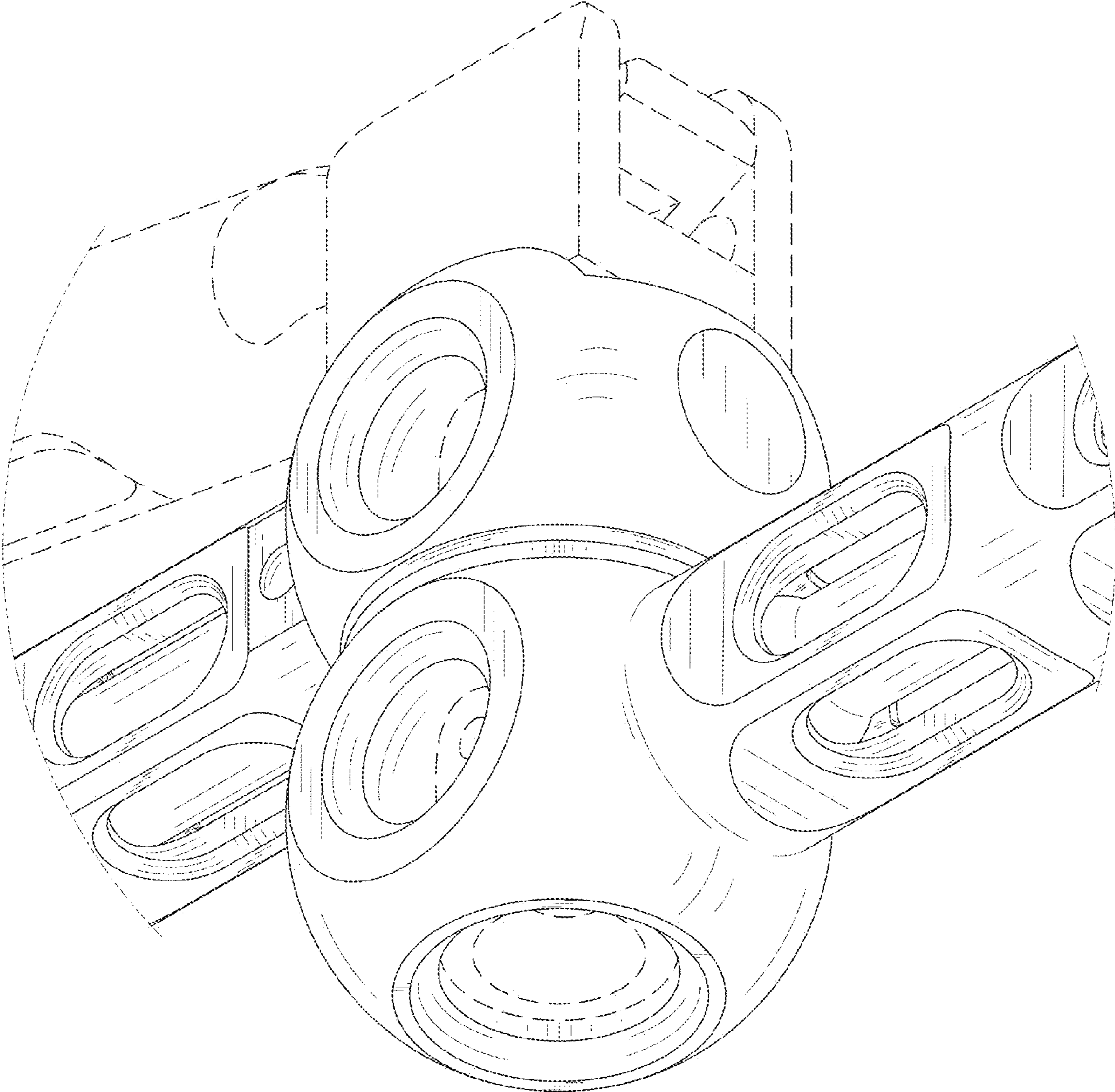


FIG. 7

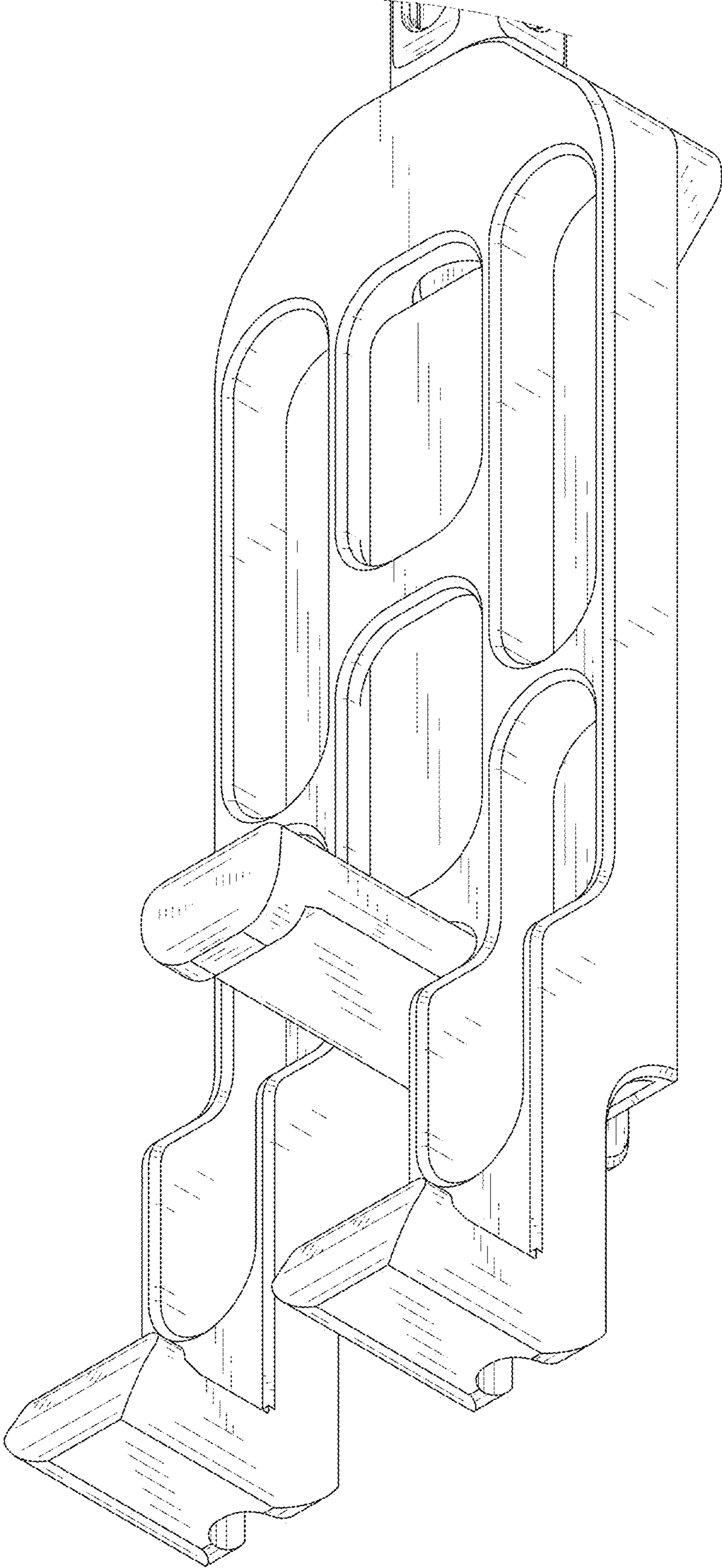


FIG. 8

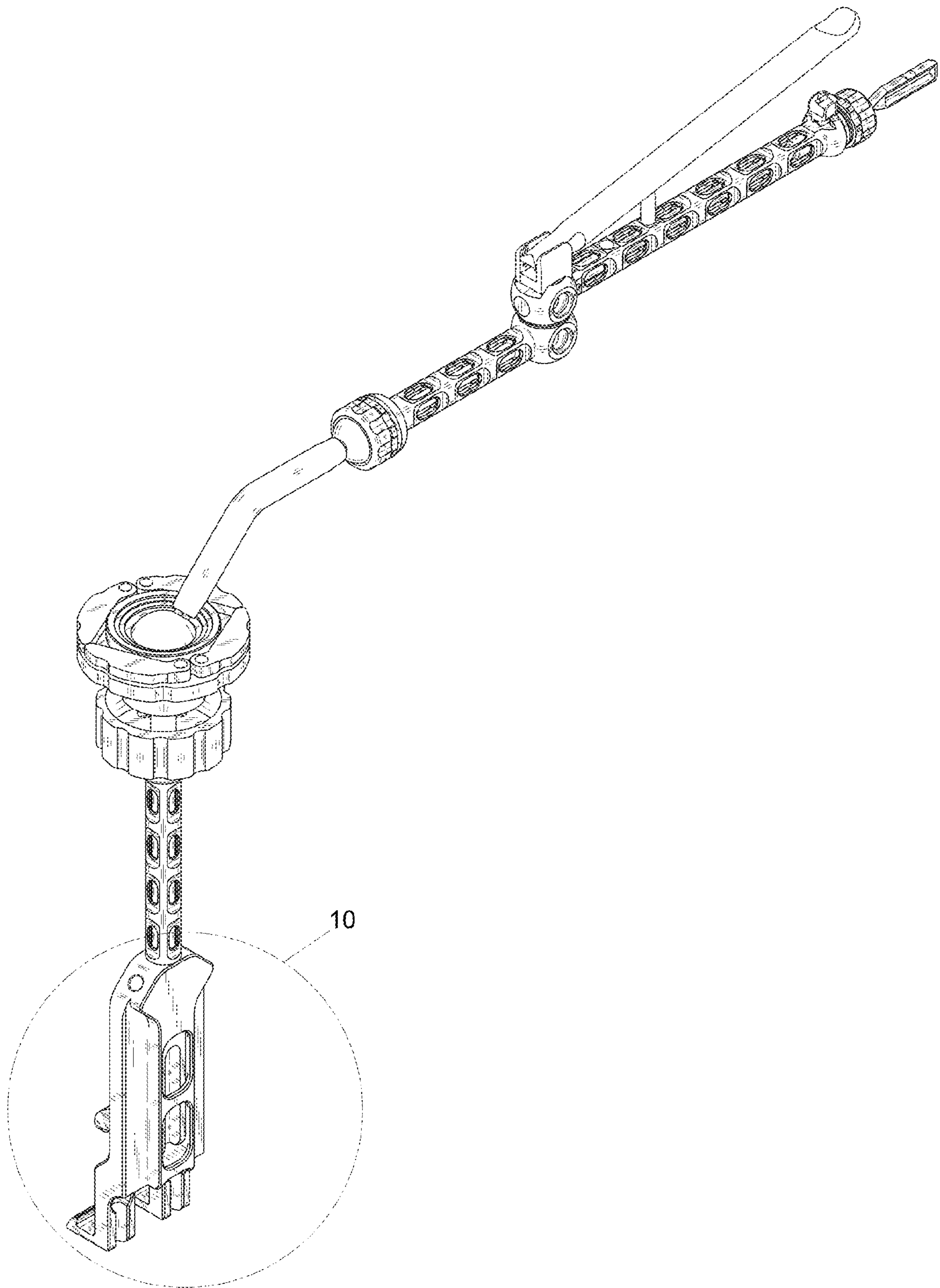


FIG. 9

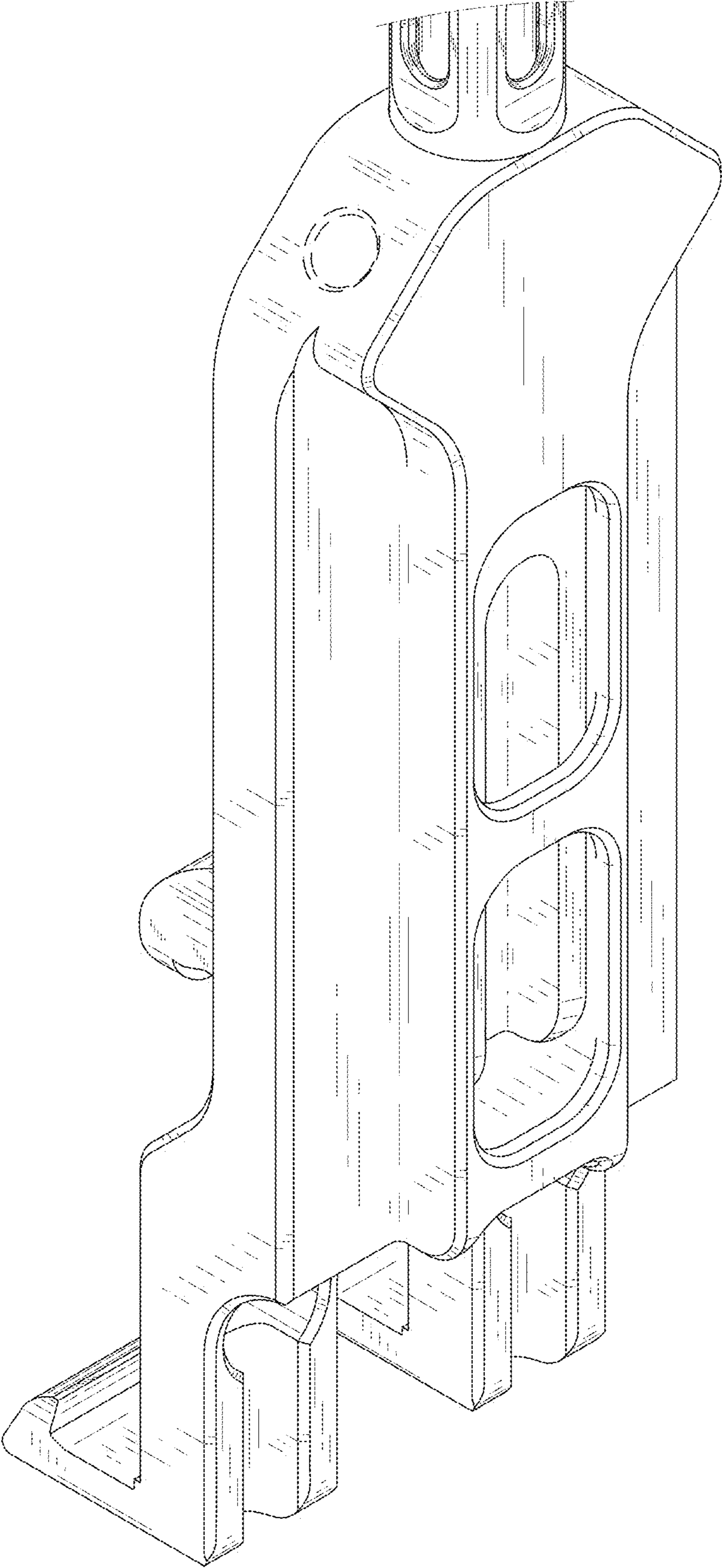


FIG. 10

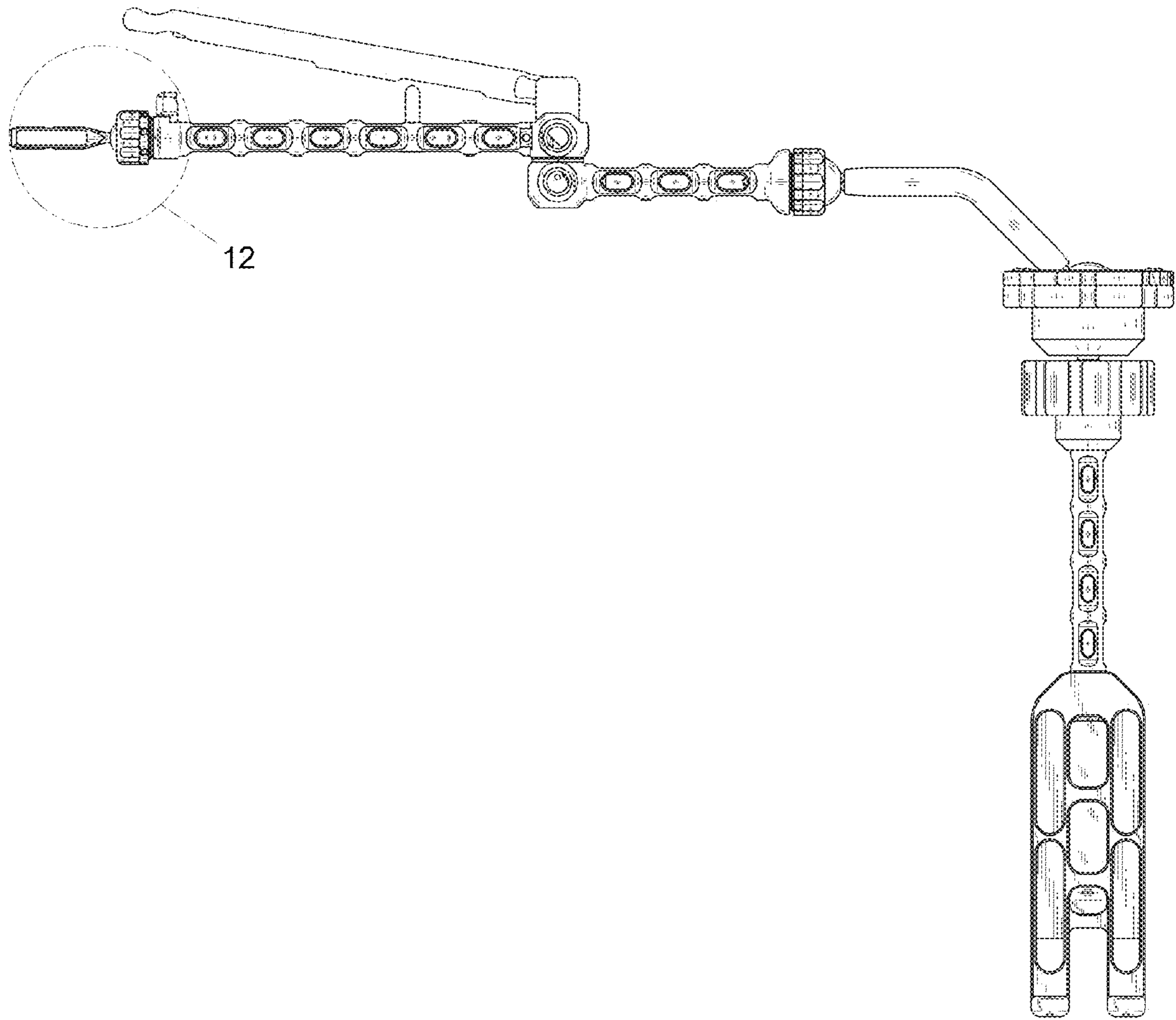


FIG. 11

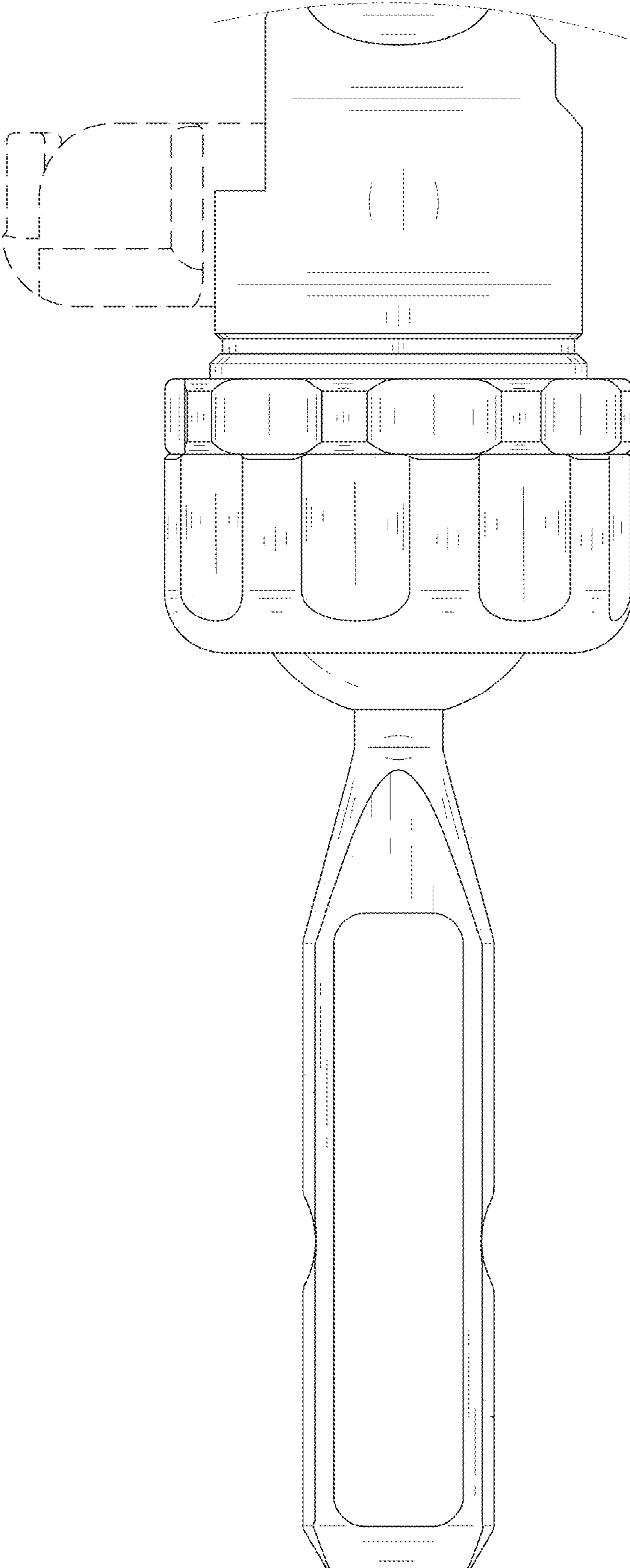


FIG. 12

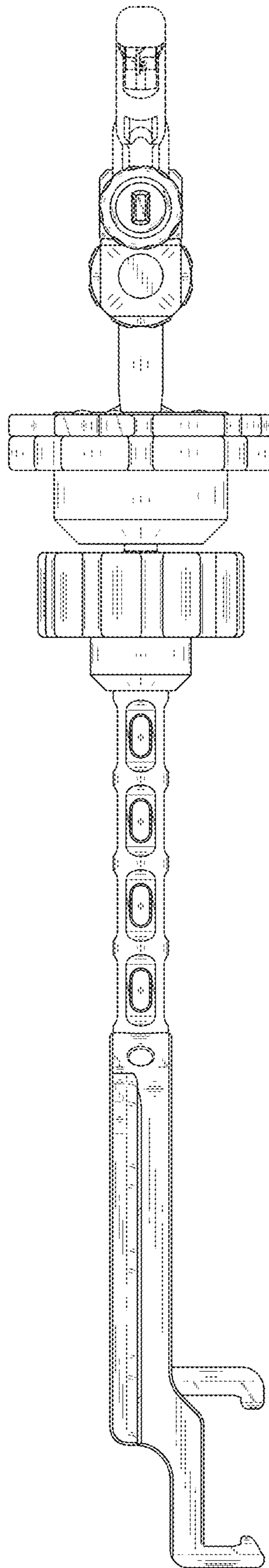


FIG. 13

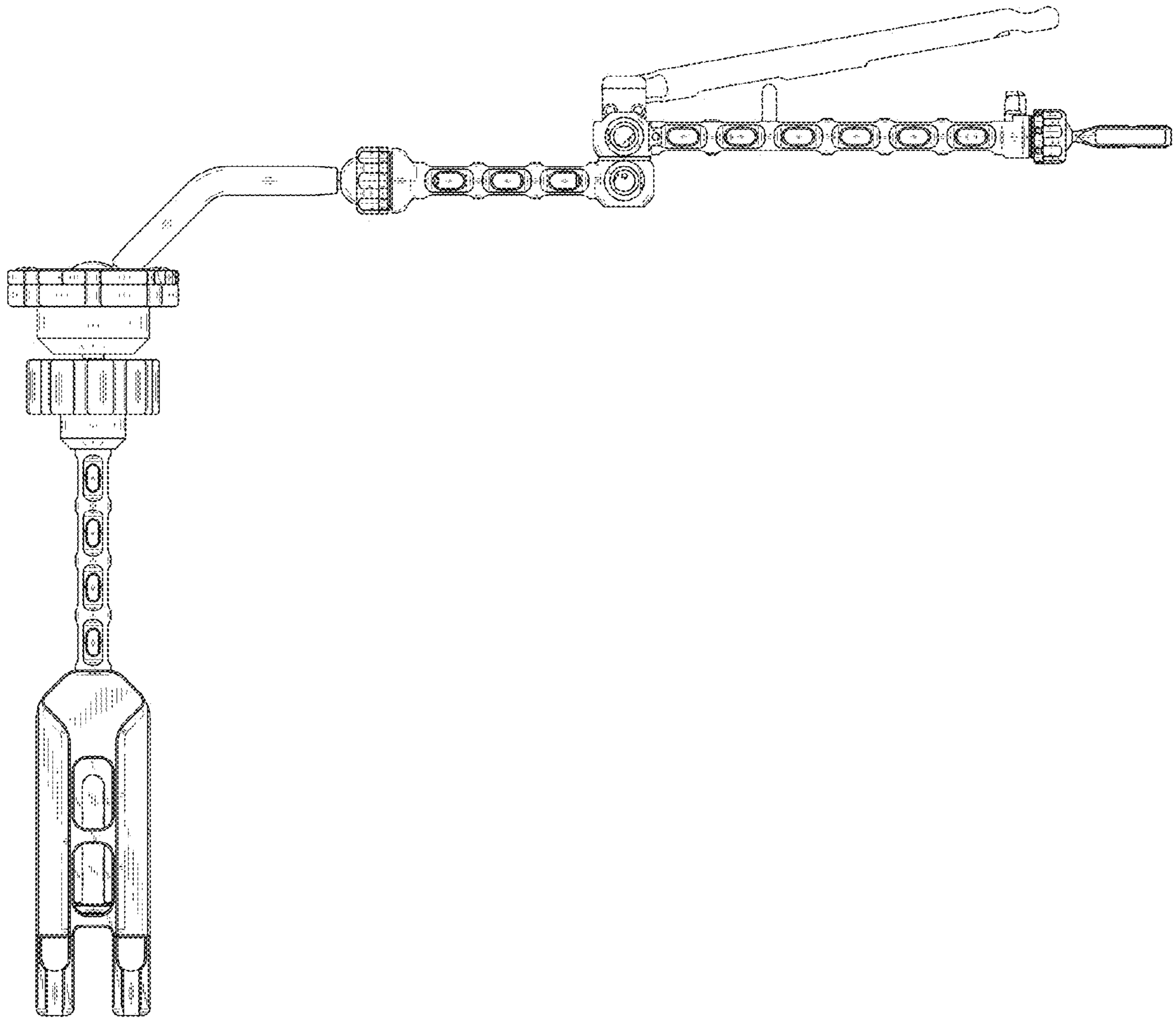


FIG. 14

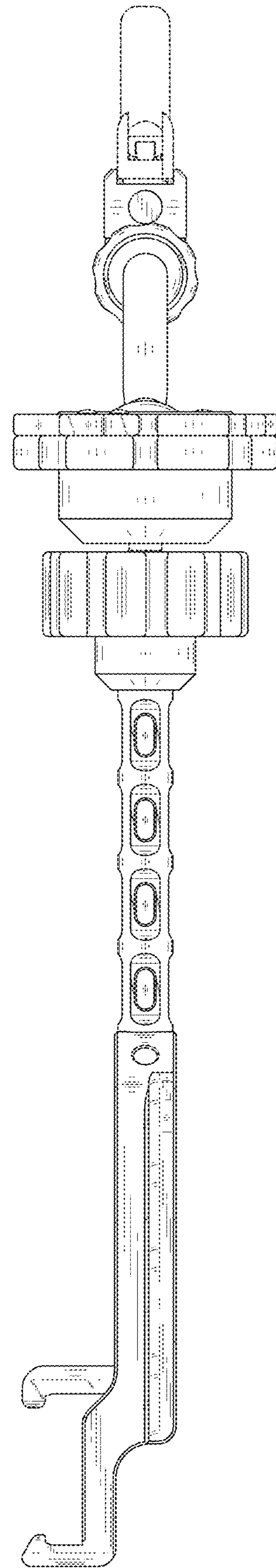


FIG. 15

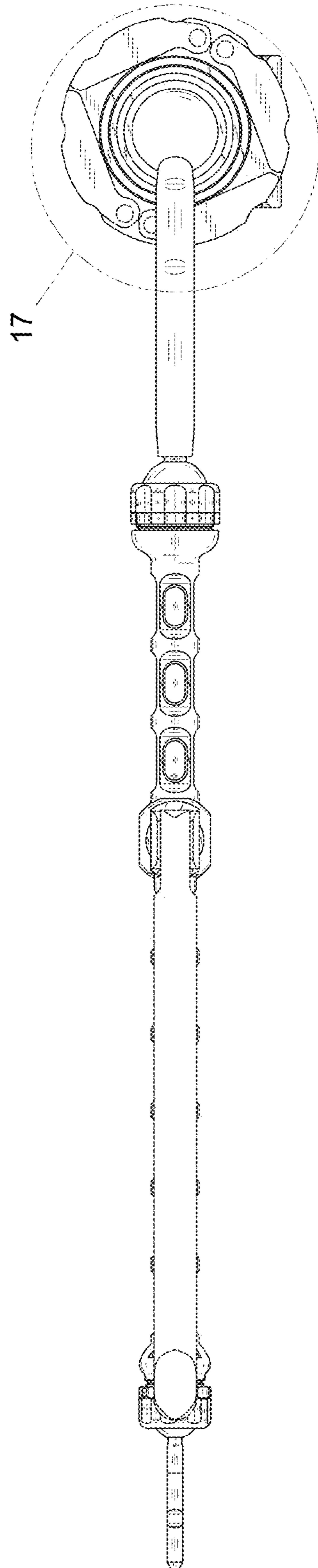


FIG. 16

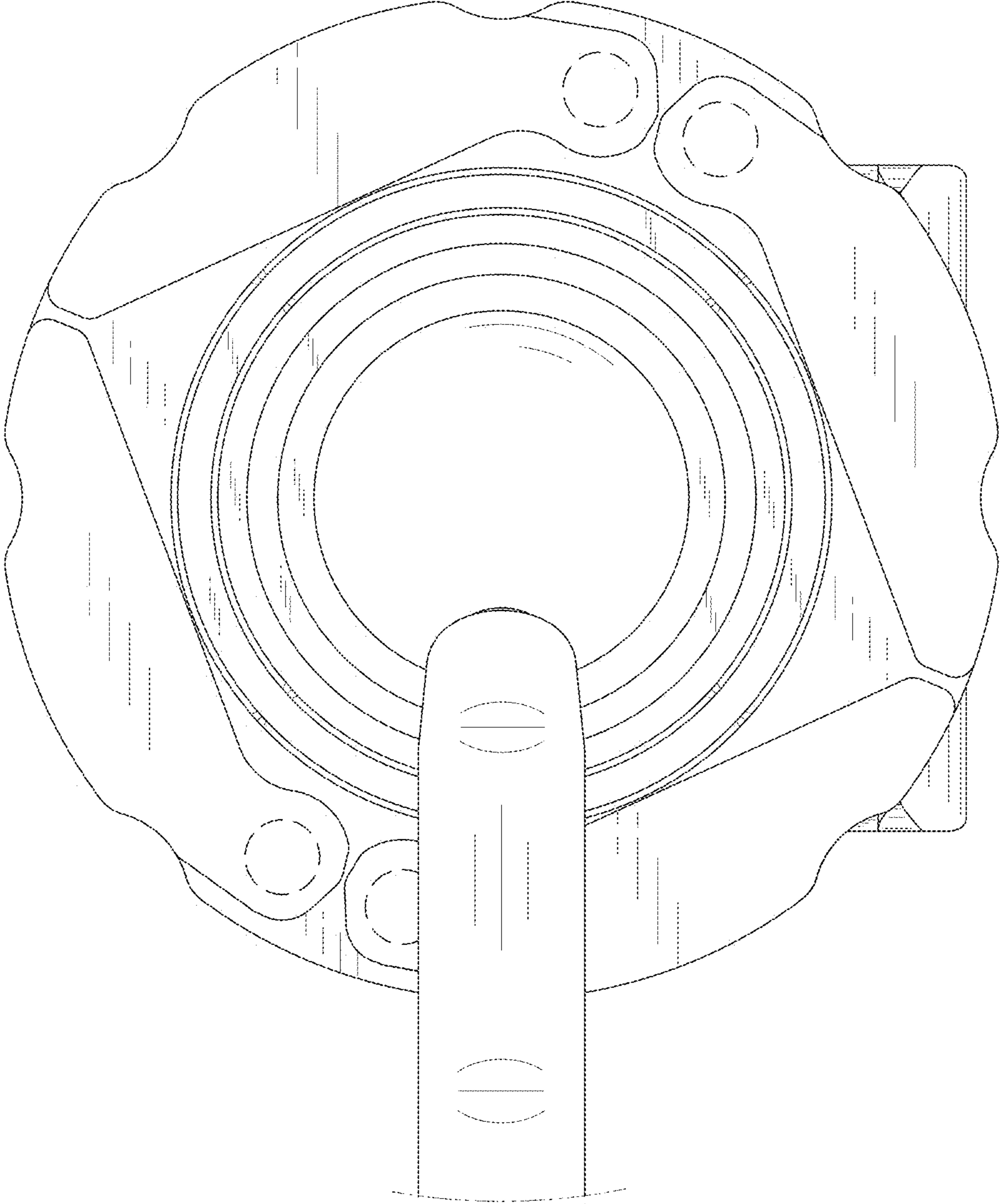


FIG. 17

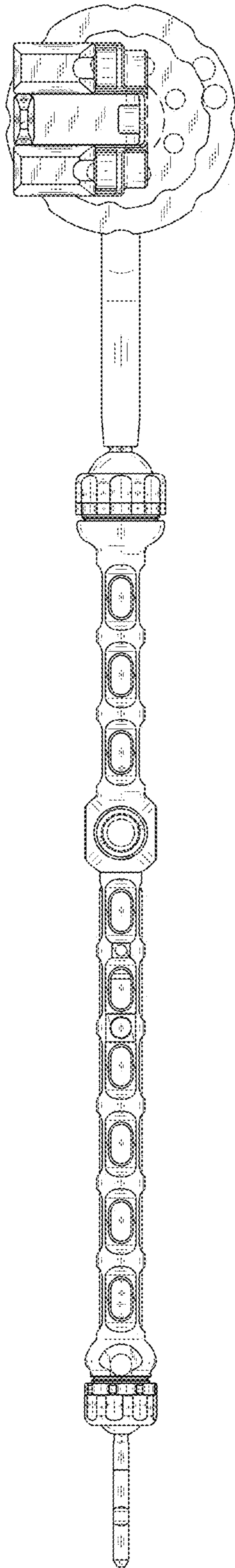


FIG. 18