

US00D949325S

(12) **United States Design Patent** (10) **Patent No.:** **US D949,325 S**  
**Kracht et al.** (45) **Date of Patent:** **\*\* Apr. 19, 2022**

(54) **RESPIRATOR**

(71) Applicant: **3M INNOVATIVE PROPERTIES COMPANY**, St. Paul, MN (US)  
(72) Inventors: **Ryan D. Kracht**, West St. Paul, MN (US); **Andre D. Jorge**, São Paulo (BR); **Bong Y. Yeom**, Woodbury, MN (US); **Kenneth A. Ebel**, Woodbury, MN (US); **Steven J. Richter**, St. Paul, MN (US); **Milton Loureiro de Mello, Jr.**, Itapetininga (BR); **Jonathan J. Stanton**, North St. Paul, MN (US); **Fabiano Gonzaga Fumes**, Sumare (BR)  
(73) Assignee: **3M INNOVATIVE PROPERTIES COMPANY**, St. Paul, MN (US)

(\*\*) Term: **15 Years**  
(21) Appl. No.: **29/656,231**  
(22) Filed: **Jul. 11, 2018**

(51) **LOC (13) Cl.** ..... **29-02**  
(52) **U.S. Cl.**  
USPC ..... **D24/110.1**

(58) **Field of Classification Search**  
USPC .... D24/110–110.4, 127–128, 164; D29/108, D29/110–111, 129  
CPC ..... A61M 16/06; A61M 16/0622; A41D 13/1138; A41D 13/1107; A41D 13/11; A41D 13/113; A62B 18/025; A62B 23/025; A62B 18/02; A62B 7/10; A62B 18/10; A62B 18/00; A62B 23/00; A62B 23/02  
See application file for complete search history.

(56) **References Cited**

**U.S. PATENT DOCUMENTS**

2,237,305 A \* 4/1941 Heimann ..... A41D 13/1161 128/206.13  
2,507,447 A \* 5/1950 La Joie ..... A45D 44/12 2/174  
2,565,124 A \* 8/1951 Durborow ..... A41D 13/11 128/206.19  
4,417,575 A \* 11/1983 Hilton ..... A41D 13/1115 128/206.19

(Continued)

**FOREIGN PATENT DOCUMENTS**

CN 208096074 U 11/2018  
CN 305262500 \* 7/2019  
WO WO 2018/081227 \* 5/2018

**OTHER PUBLICATIONS**

Product Brochure, “3M™ Particulate Respirators 9010, N95”; (2020); 3M Company, St. Paul, MN.

*Primary Examiner* — Eric L Goodman

*Assistant Examiner* — Lee D. Starr

(74) *Attorney, Agent, or Firm* — Johannes P. M. Kusters; 3M Innovative Properties Company

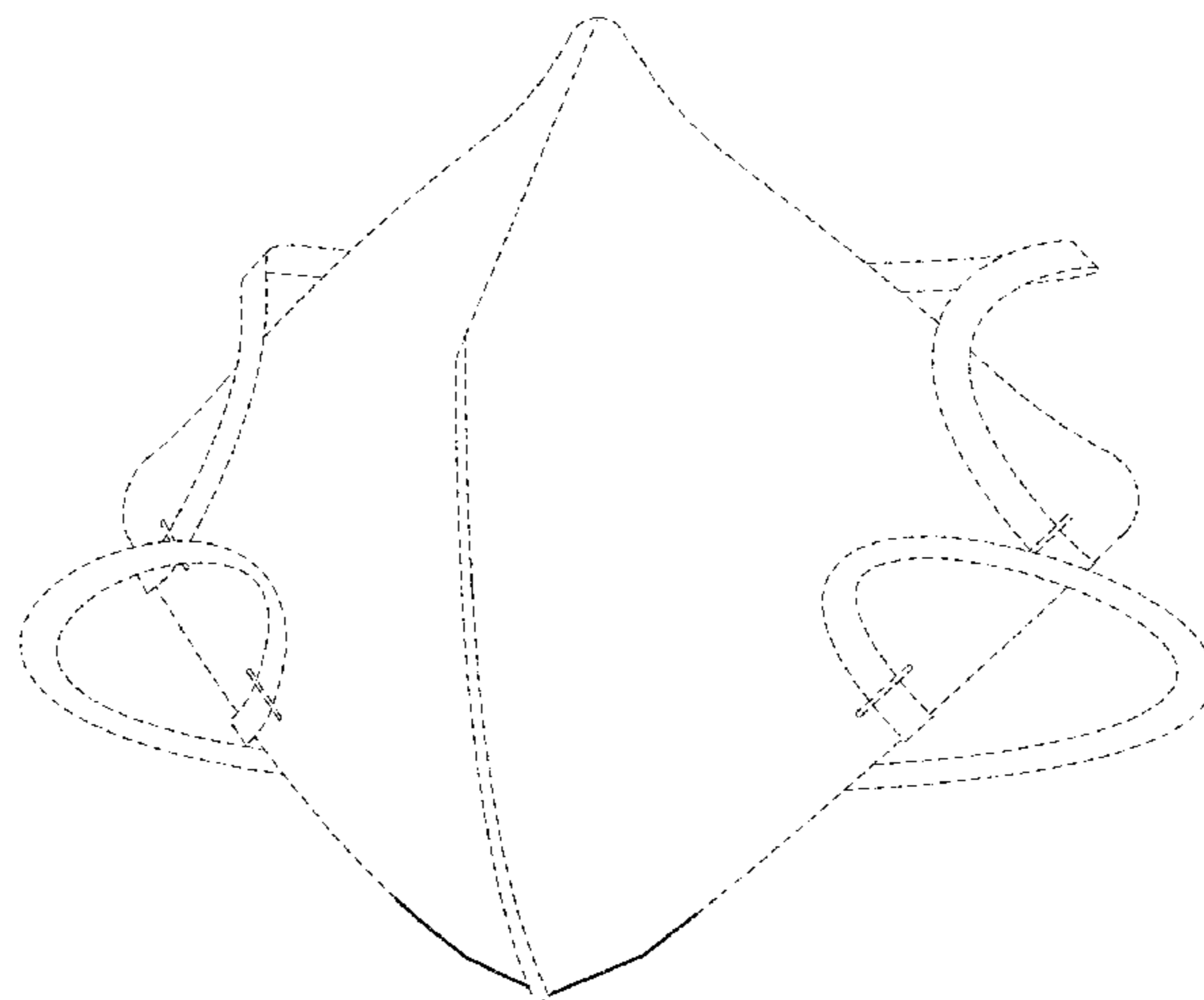
(57) **CLAIM**

The ornamental design for a respirator, as shown and described.

**DESCRIPTION**

FIG. 1 is a front perspective view showing the new design for a respirator;  
FIG. 2 is a front view thereof;  
FIG. 3 is a back view thereof;  
FIG. 4 is a right side view thereof;  
FIG. 5 is a top view thereof;  
FIG. 6 is a bottom view thereof; and,  
FIG. 7 is an enlarged view of the encircled portion 7 of FIG. 3.  
3.  
The dash-dash broken lines in the drawings depict portions of the respirator that form no part of the claimed design. The dash-dot broken lines in FIGS. 3 and 7 represents the bounds of the enlargement taken from FIG. 3 and forms no part of the claimed design.

**1 Claim, 4 Drawing Sheets**



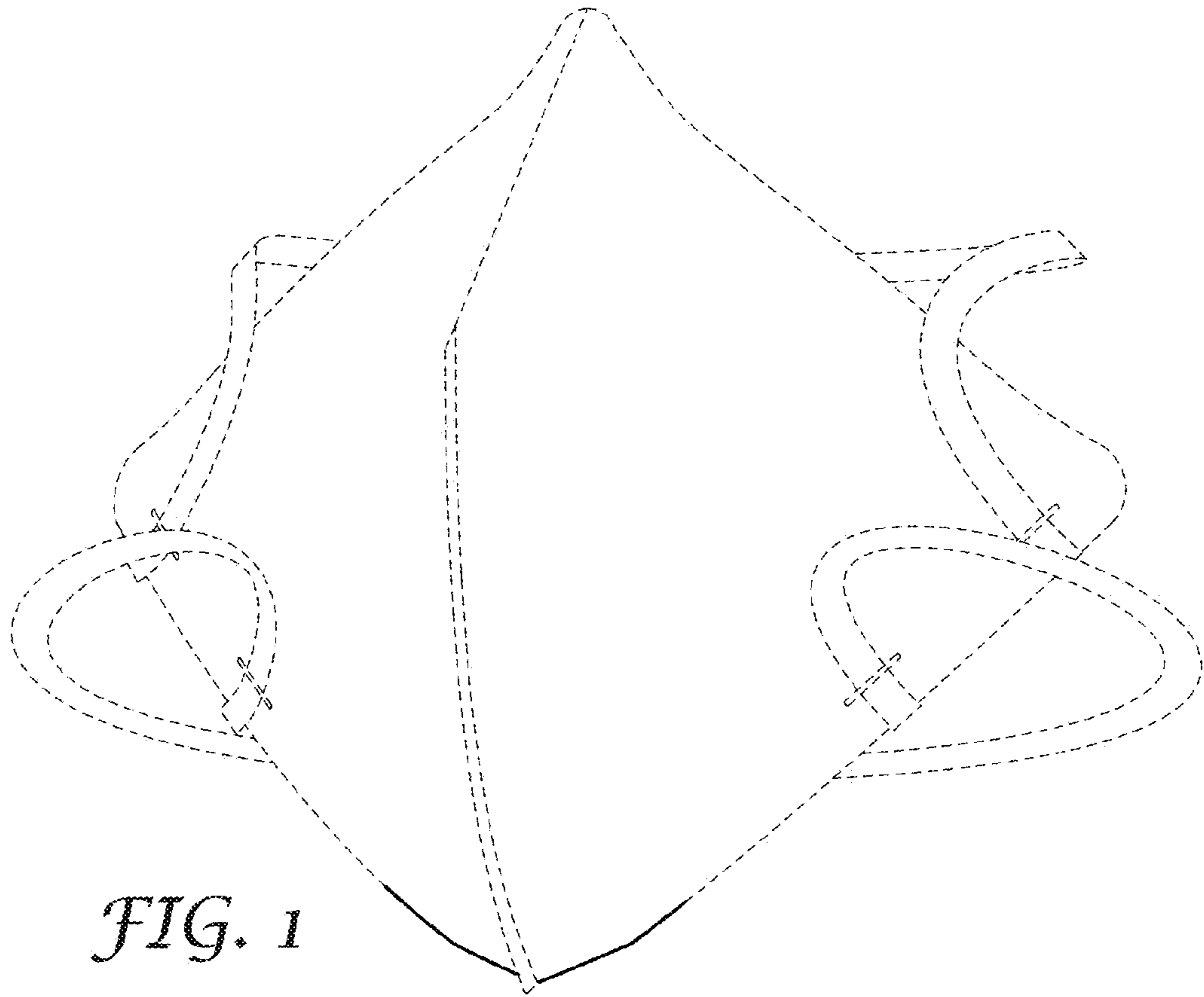
(56)

References Cited

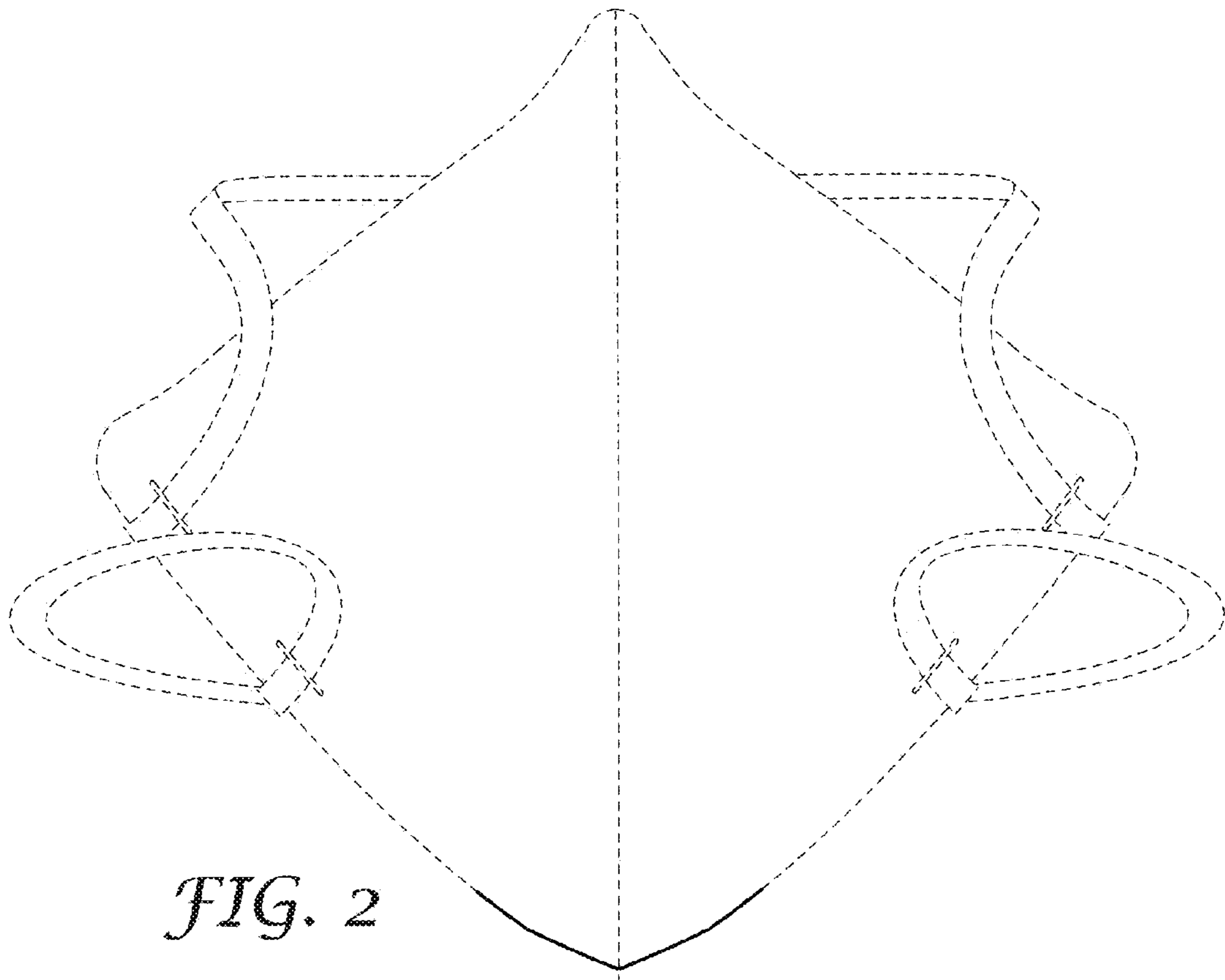
U.S. PATENT DOCUMENTS

D287,649 S *	1/1987	Zdrok .....	D24/110.1	D892,410 S *	8/2020	David .....	D29/108
D380,545 S *	7/1997	Nozaki .....	D24/110.1	11,045,386 B2 *	6/2021	Oda .....	A61F 7/03
5,701,892 A *	12/1997	Bledstein .....	A41D 13/113	2003/0154984 A1 *	8/2003	Fernandes .....	A62B 23/025
			128/206.16				D24/110.1
D443,927 S *	6/2001	Chen .....	D24/110.1	2011/0203593 A1 *	8/2011	Ishigami .....	A62B 23/025
D448,472 S *	9/2001	Chen .....	D24/110.1				128/206.13
6,394,090 B1 *	5/2002	Chen .....	A41D 13/113	2011/0220109 A1 *	9/2011	Chiu .....	A41D 13/113
			128/206.12				128/206.19
D569,969 S *	5/2008	Lin .....	D24/110.1	2012/0000473 A1 *	1/2012	Shigematsu .....	A41D 13/113
D646,380 S *	10/2011	Gebrewold .....	D24/110.1				128/863
D776,257 S *	1/2017	Remer .....	D24/110.1	2017/0303608 A1 *	10/2017	Chen .....	A41D 13/1161
D821,568 S *	6/2018	Nilsson .....	D24/110.1	2017/0311660 A1	11/2017	Chen et al.	
D822,195 S *	7/2018	Kwong .....	D24/110.1	2018/0021608 A1 *	1/2018	Zhou .....	A41D 13/113
10,575,571 B2	3/2020	Angadjivand et al.					128/863
				2018/0318166 A1 *	11/2018	Oda .....	A62B 18/02
				2020/0390167 A1	12/2020	Duffy	

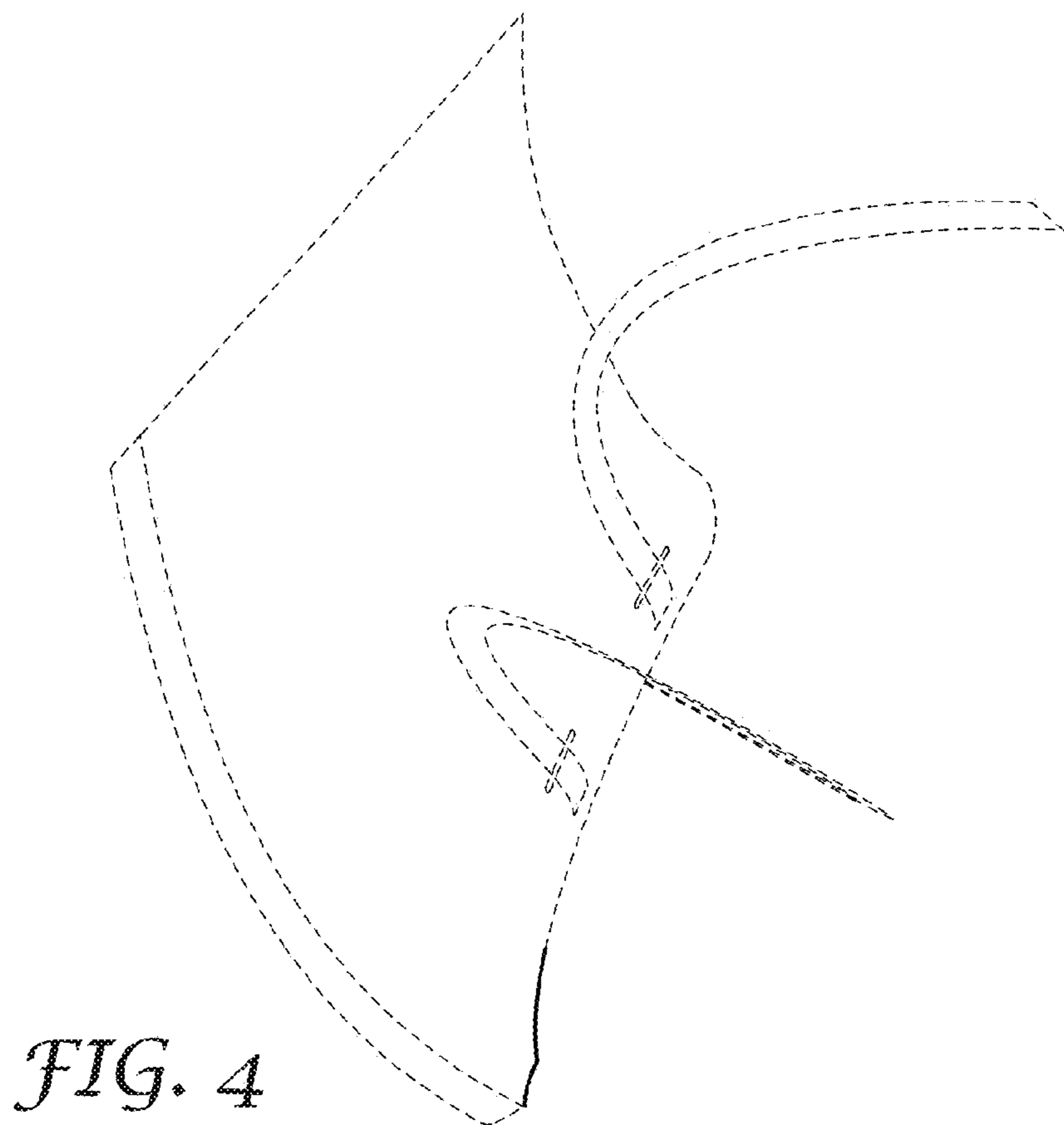
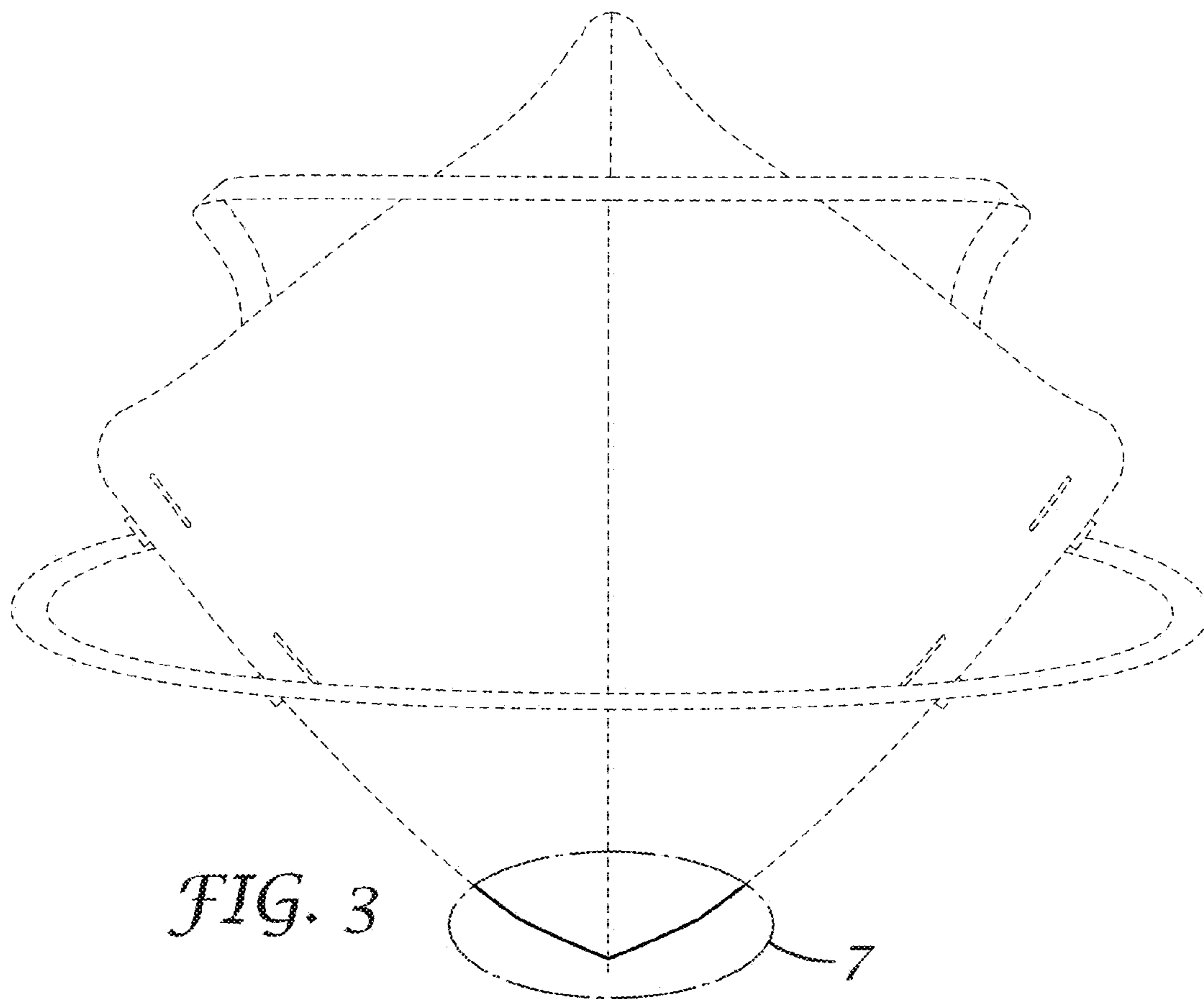
\* cited by examiner

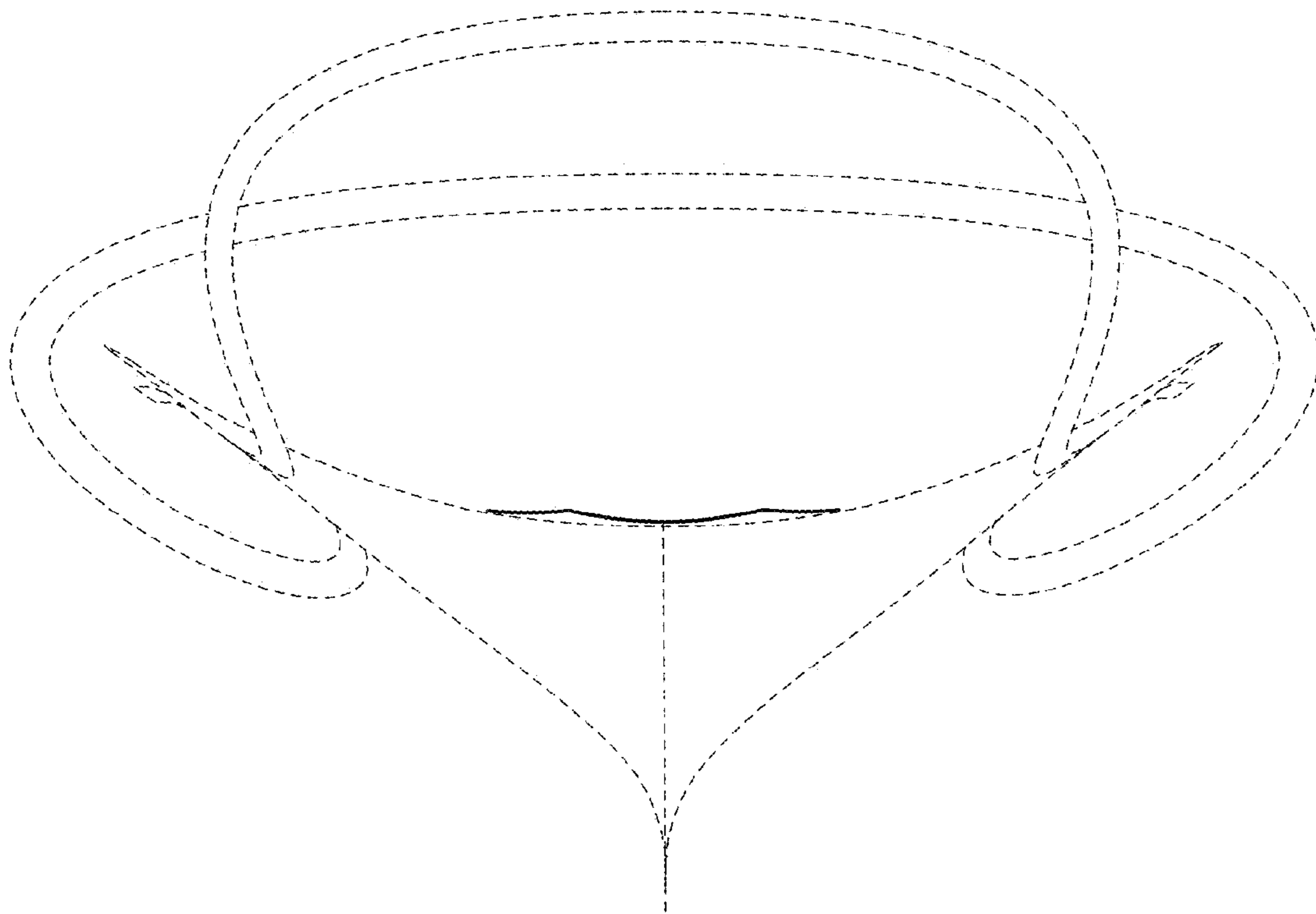


*FIG. 1*

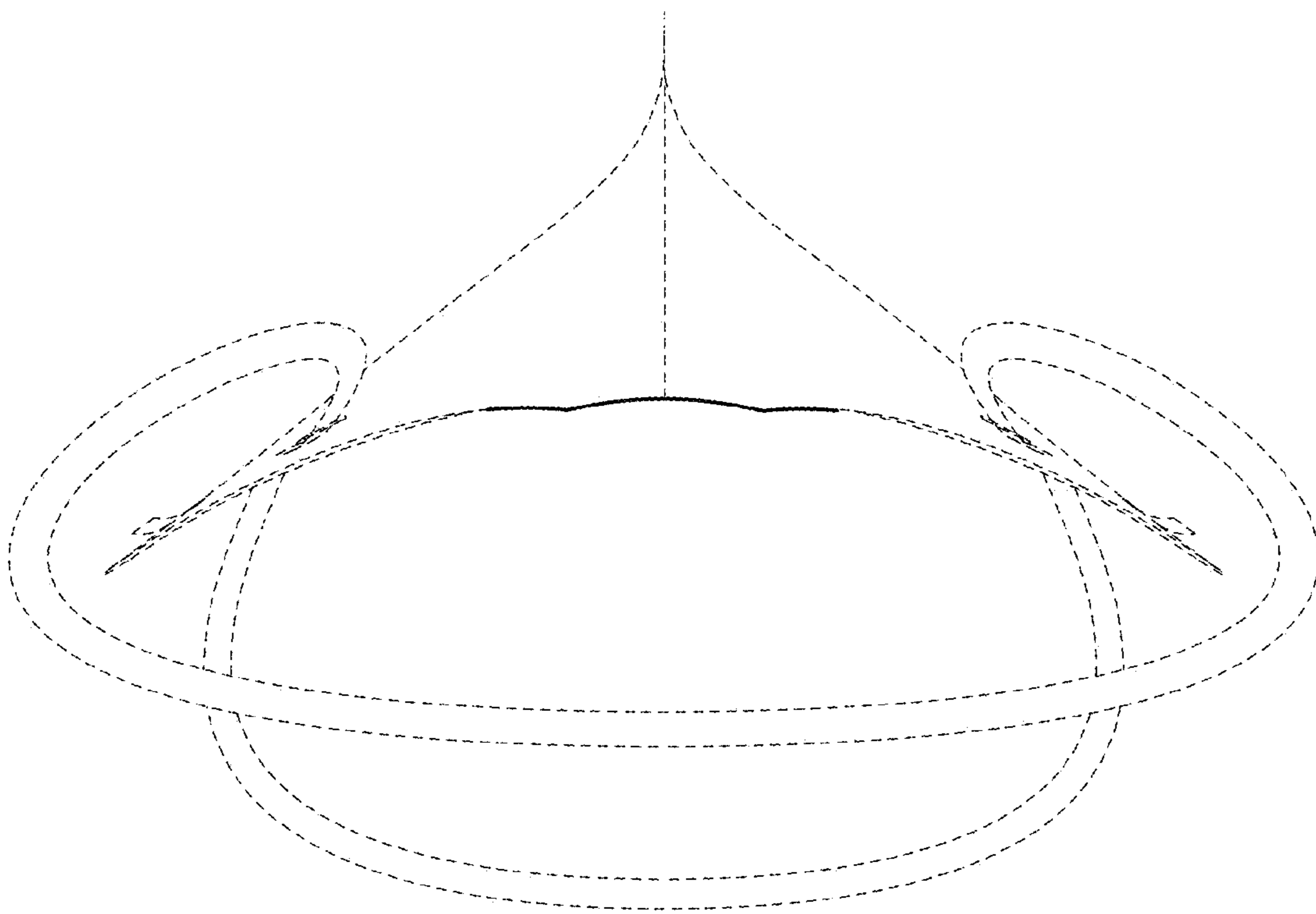


*FIG. 2*

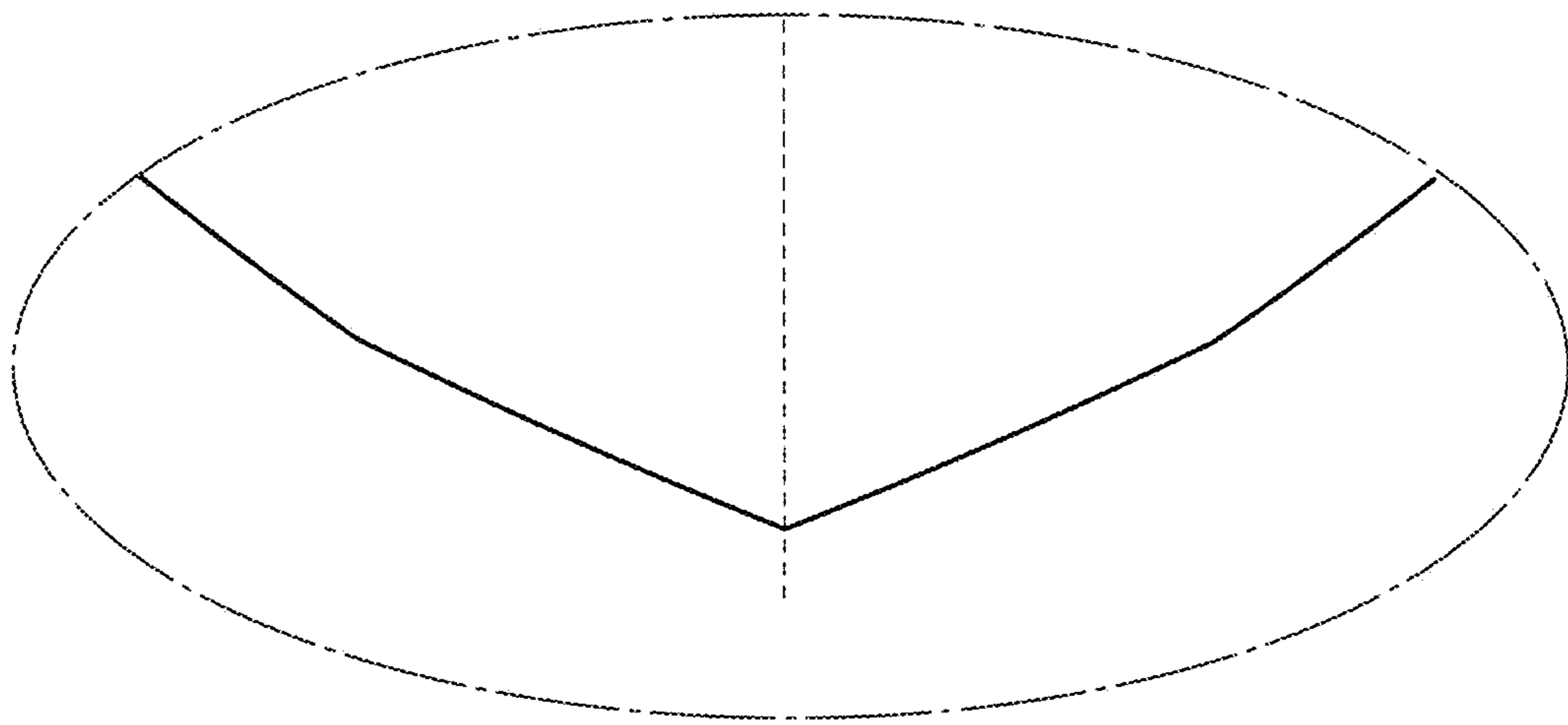




*FIG. 5*



*FIG. 6*



*FIG. 7*