



US00D949324S

(12) **United States Design Patent** (10) **Patent No.:** **US D949,324 S**
Dalvi et al. (45) **Date of Patent:** **** *Apr. 19, 2022**

(54) **INHALER**

(71) Applicant: **Lupin Ltd.**, Maharashtra (IN)

(72) Inventors: **Mukul Dalvi**, Coral Springs, FL (US);
Imran Shaikh, Coral Springs, FL (US);
Xian-Ming Zeng, Coral Springs, FL (US);
Antonio Belton, Chicago, IL (US)

(73) Assignee: **LUPIN LTD.**, Maharashtra (IN)

(*) Notice: This patent is subject to a terminal disclaimer.

(**) Term: **15 Years**

(21) Appl. No.: **29/717,924**

(22) Filed: **Dec. 19, 2019**

Related U.S. Application Data

(63) Continuation of application No. 29/699,567, filed on Jul. 26, 2019.

(51) **LOC (13) Cl.** **24-04**

(52) **U.S. Cl.**
USPC **D24/110**

(58) **Field of Classification Search**
USPC D24/110, 110.4–110.6, 108, 112, 129,
D24/164

(Continued)

(56) **References Cited**

U.S. PATENT DOCUMENTS

D769,437 S * 10/2016 Walsh D24/110
D783,804 S * 4/2017 Fosbury D24/110

(Continued)

FOREIGN PATENT DOCUMENTS

GB 9007514583-0004 * 1/2020
GB 9007514583-0005 * 1/2020

(Continued)

Primary Examiner — Eric L Goodman

Assistant Examiner — Lee D. Starr

(74) *Attorney, Agent, or Firm* — Katten Muchin
Rosenman LLP

(57) **CLAIM**

The ornamental design for an inhaler, as shown and described.

DESCRIPTION

The patent or application file contains at least one drawing executed in color. Copies of this patent or patent application publication with color drawing(s) will be provided by the Office upon request and payment of the necessary fee.

FIG. 1 is a left side perspective view of an inhaler, showing our new design, in which the color of the body of the inhaler is grey and the color of the cap of the inhaler is mint green;

FIG. 2 is a right side perspective view thereof;

FIG. 3 is a front view thereof;

FIG. 4 is a rear view thereof;

FIG. 5 is a left side view thereof;

FIG. 6 is a right side view thereof;

FIG. 7 is a top view thereof;

FIG. 8 is a bottom view thereof;

FIG. 9 is a left side perspective view thereof in an open configuration;

FIG. 10 is a right side perspective view thereof;

FIG. 11 is a front view thereof;

FIG. 12 is a rear view thereof;

FIG. 13 is a left side view thereof;

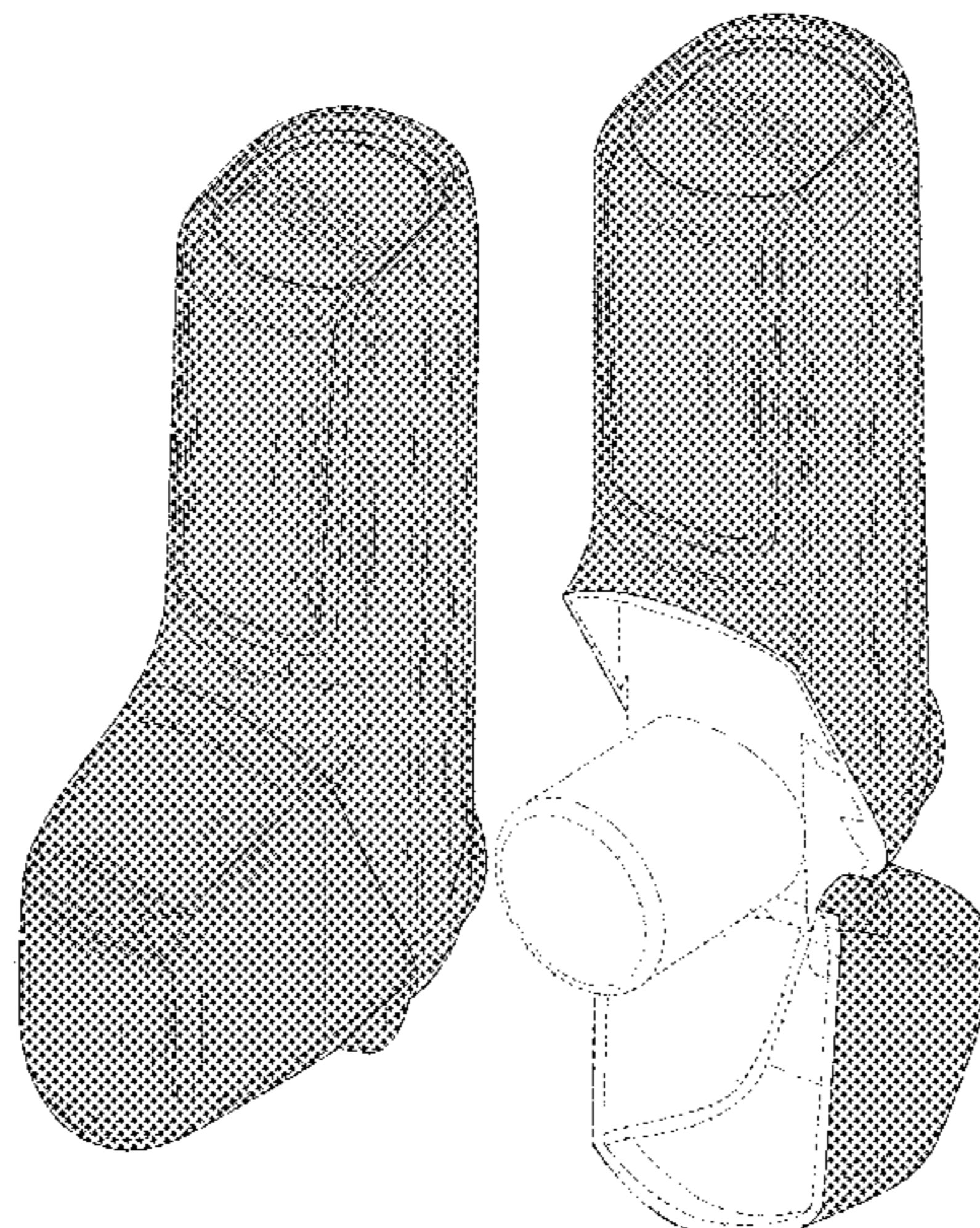
FIG. 14 is a right side view thereof;

FIG. 15 is a top view thereof; and,

FIG. 16 is a bottom view thereof.

The broken lines shown in the figures are included for the purposes of illustrating portions of the inhaler which form no part of the claimed design.

1 Claim, 12 Drawing Sheets
(12 of 12 Drawing Sheet(s) Filed in Color)



(58) **Field of Classification Search**

CPC .. A61M 11/00; A61M 15/00; A61M 15/0025;
A61M 15/0026; A61M 15/0065; A61M
15/0068; A61M 15/007; A61M 15/0071;
A61M 15/0073; A61M 15/0075; A61M
15/0076; A61M 15/008; A61M 15/009;
A61M 2202/064

See application file for complete search history.

(56) **References Cited**

U.S. PATENT DOCUMENTS

D783,805 S * 4/2017 Milton-Edwards D24/110
D783,807 S * 4/2017 Fosbury D24/110
D808,515 S * 1/2018 Atkin D24/110
D834,704 S * 11/2018 Atkin D24/110
11,110,234 B2 * 9/2021 Richardson A61M 15/002
2002/0073996 A1 * 6/2002 O'Leary A61M 15/0068
128/203.15
2006/0237009 A1 * 10/2006 Jones A61M 15/0093
128/203.15
2015/0099726 A1 * 4/2015 Dalvi A61P 11/00
514/171
2016/0303336 A1 * 10/2016 Arp A61M 15/0021
2019/0111221 A1 * 4/2019 Richardson A61M 15/0095
2020/0046916 A1 * 2/2020 May A61M 15/008

FOREIGN PATENT DOCUMENTS

GB 9007514583-0006 * 1/2020
GB 9007514583-0007 * 1/2020

* cited by examiner

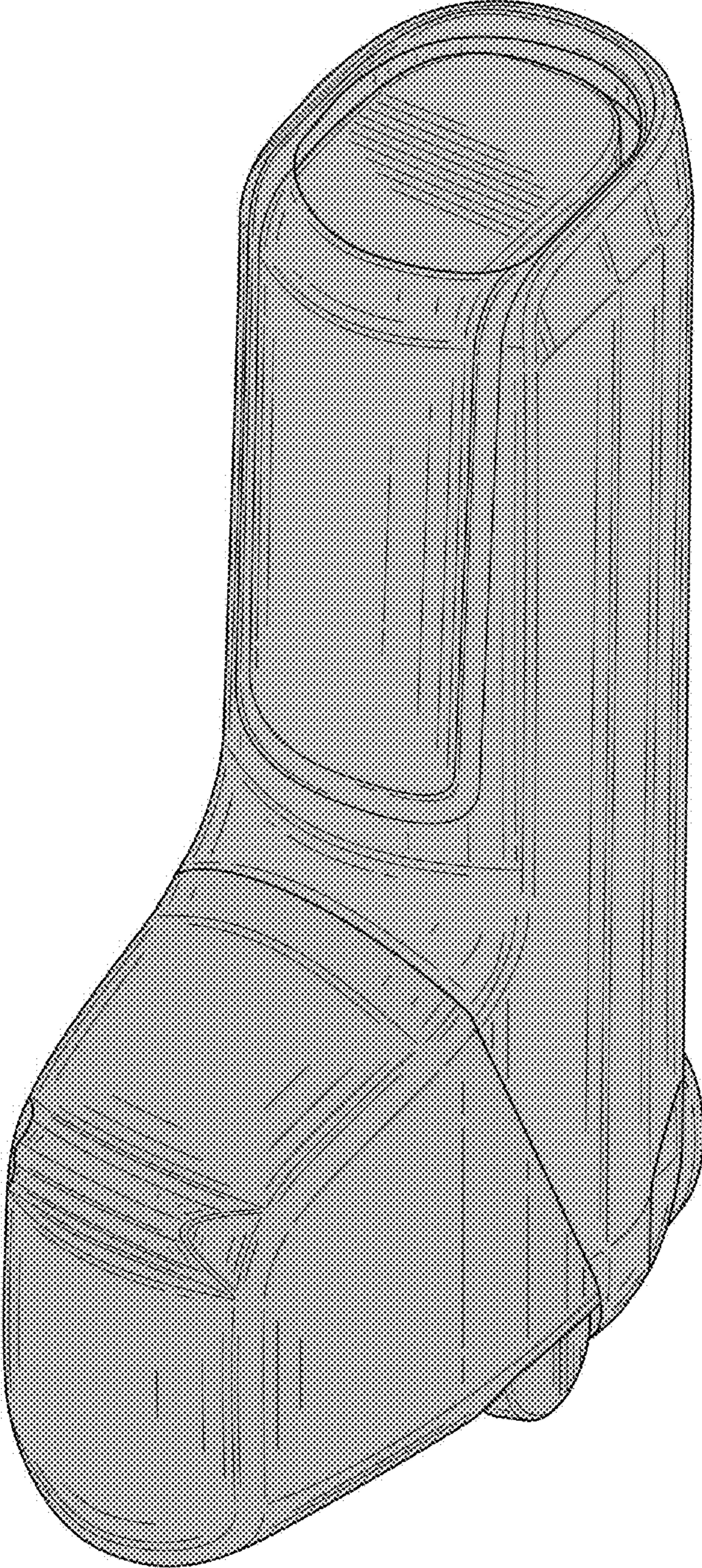


FIG 1

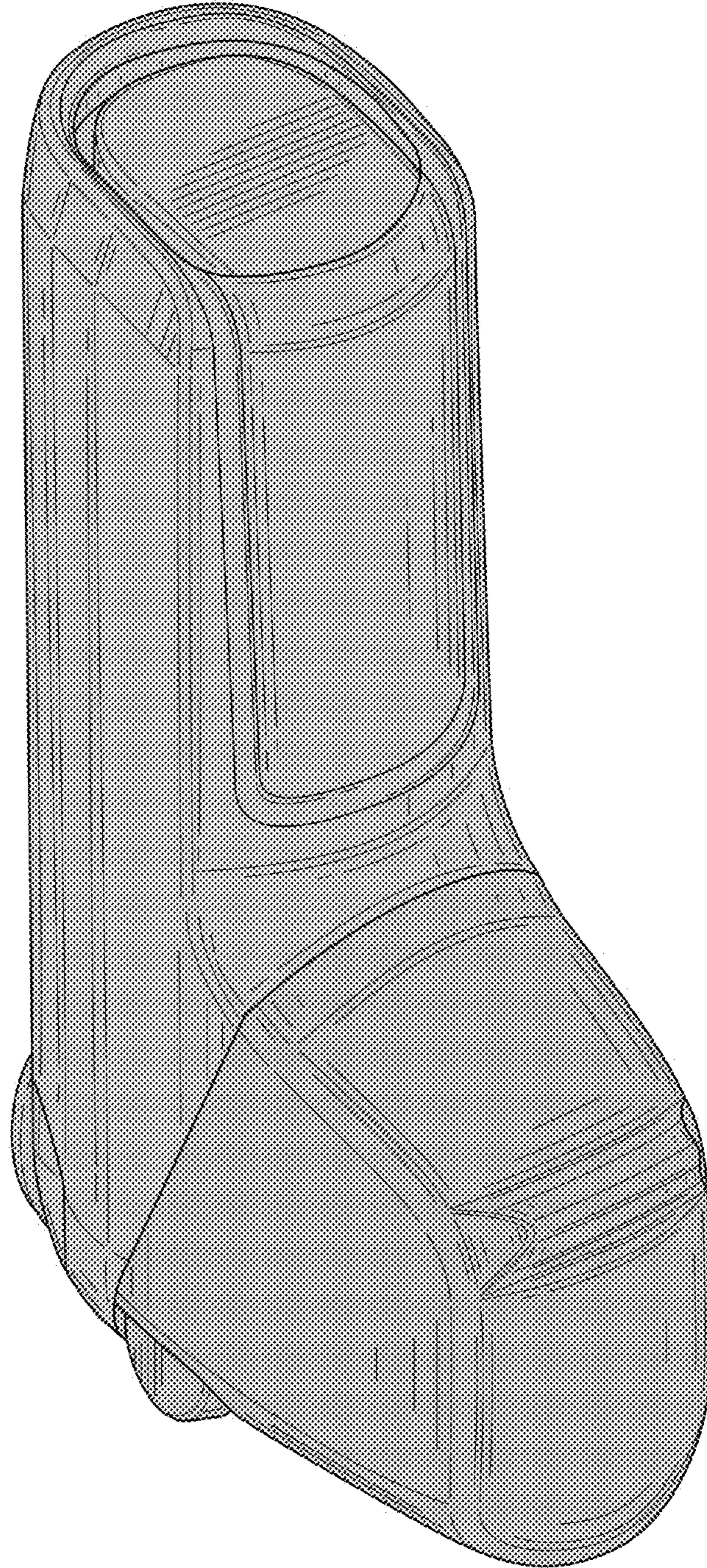


FIG 2

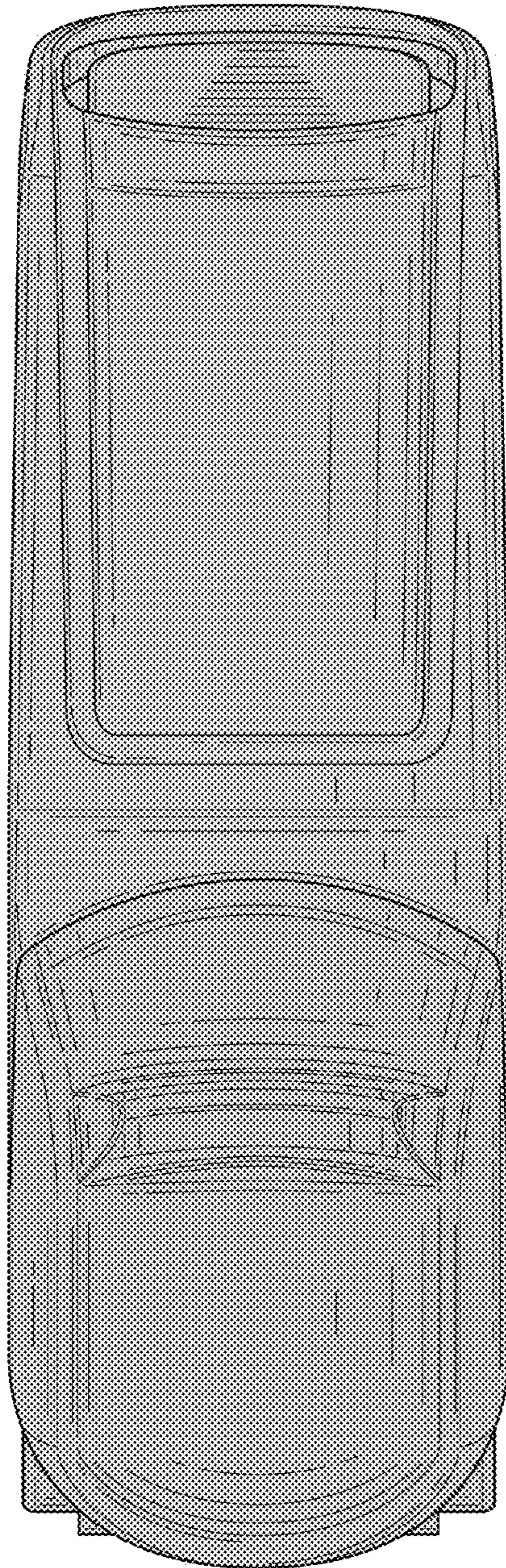


FIG 3

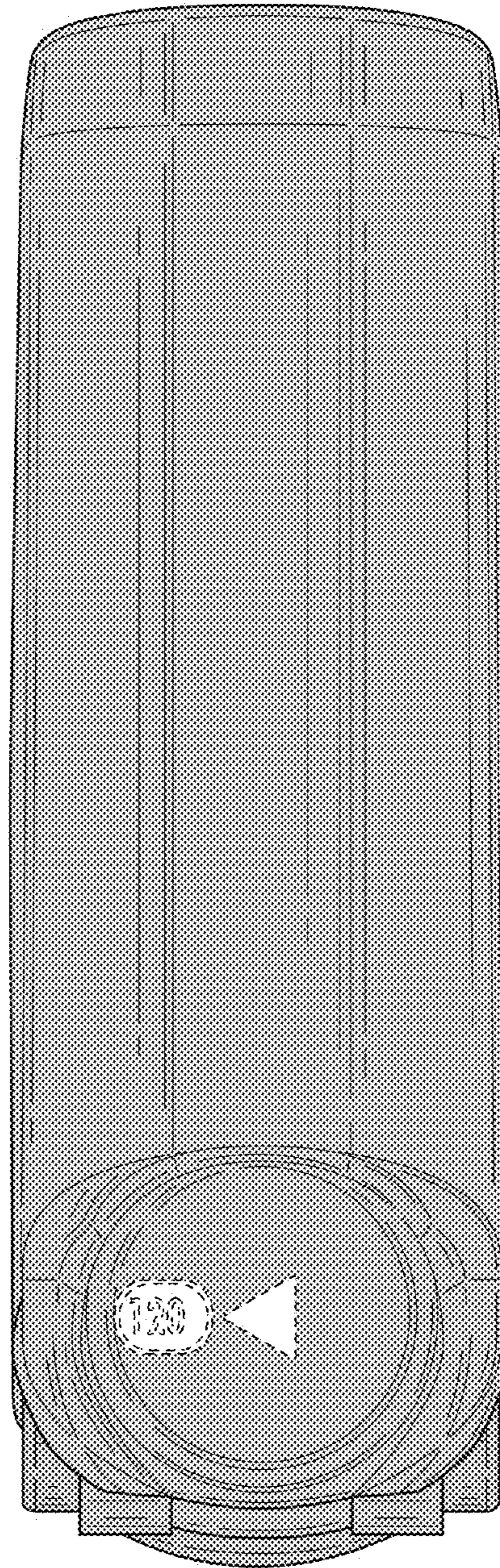


FIG 4

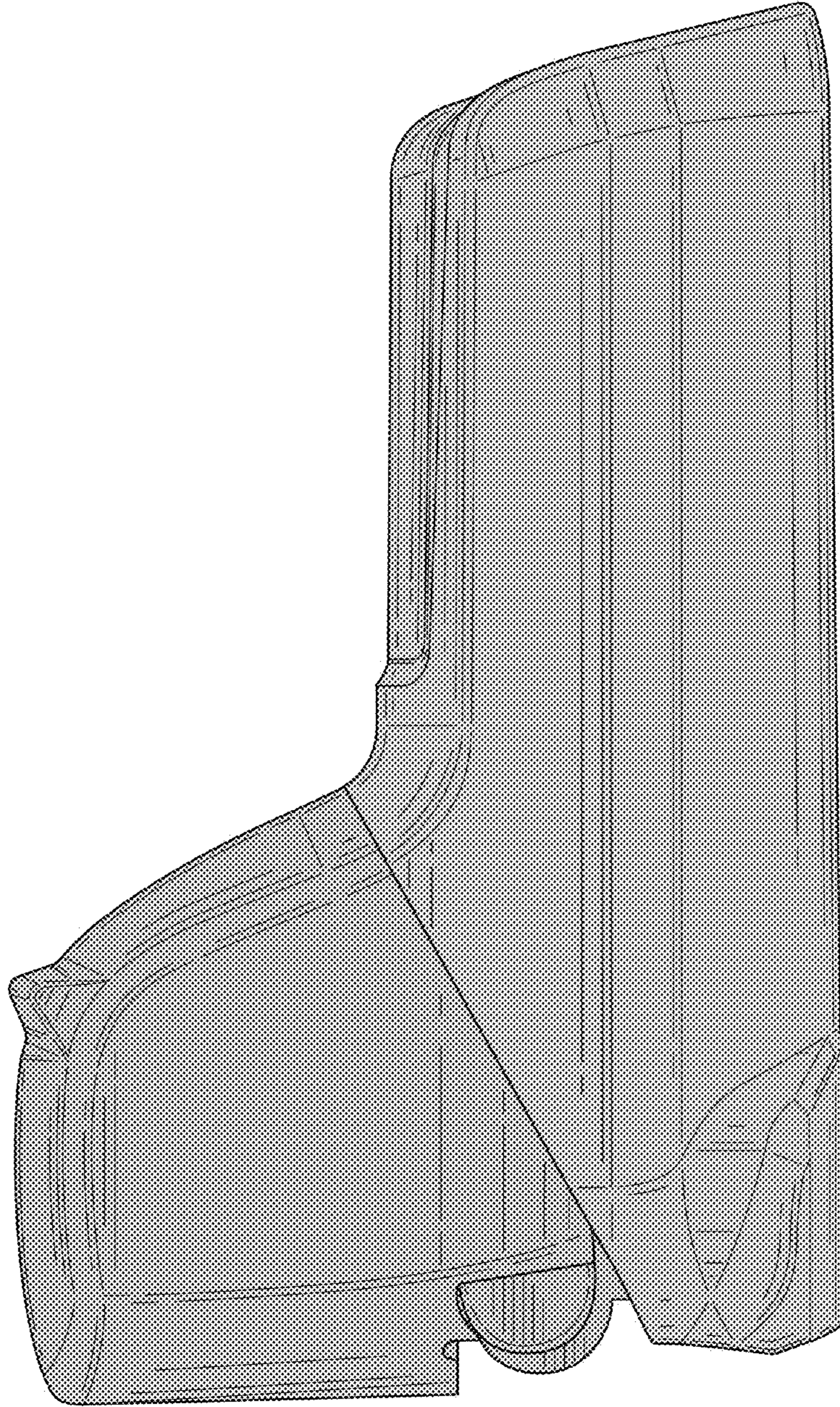


FIG 5

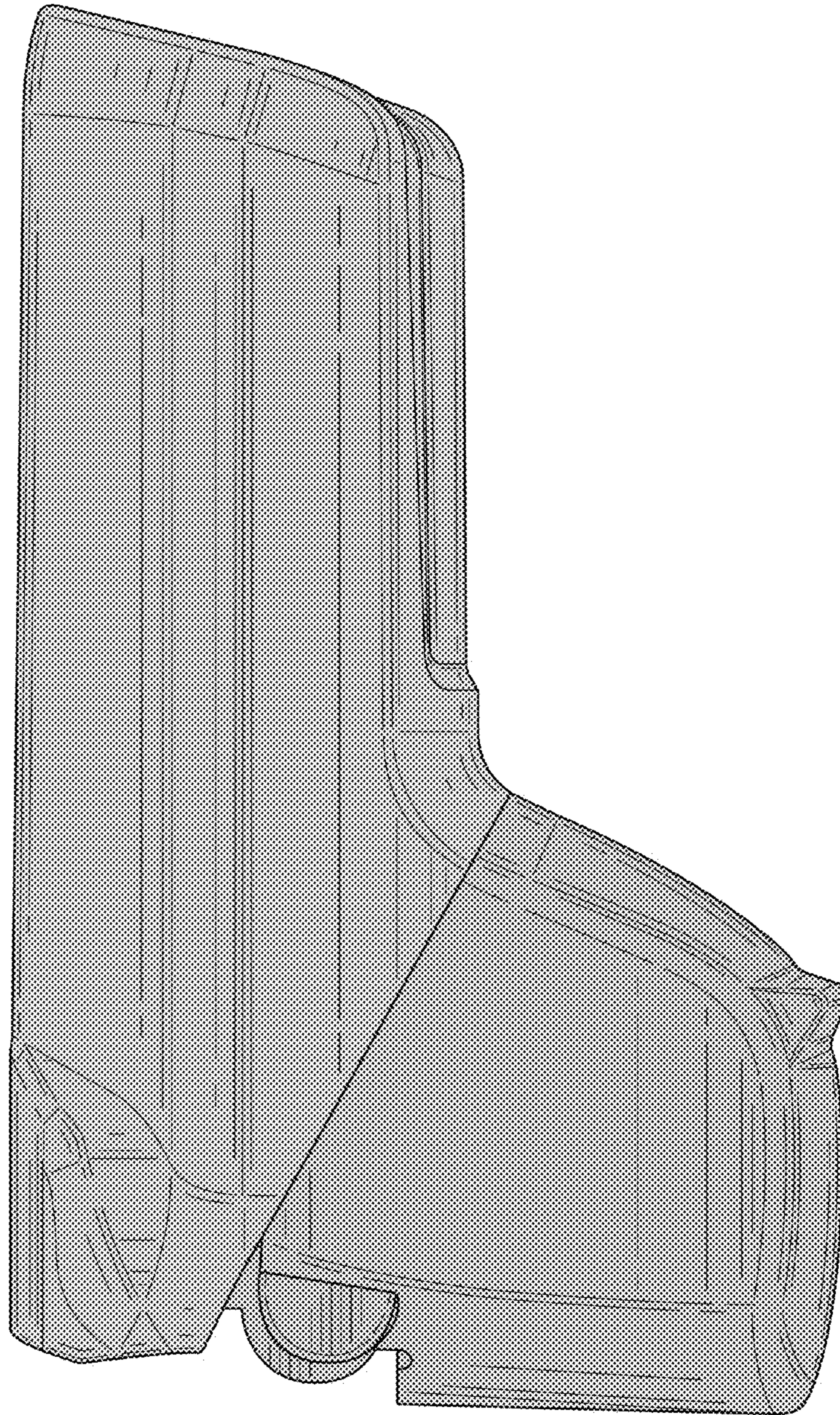


FIG 6

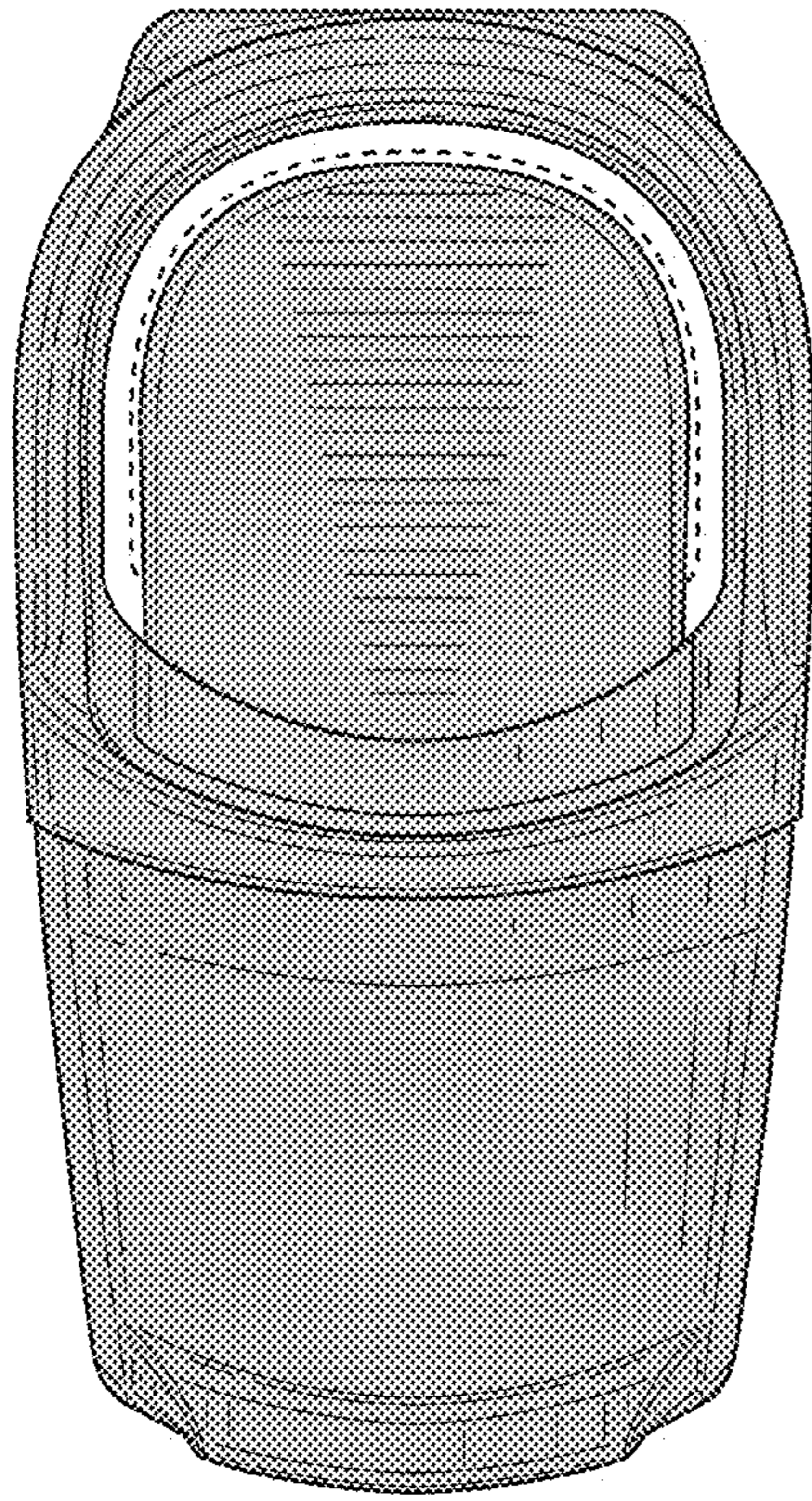


FIG 7

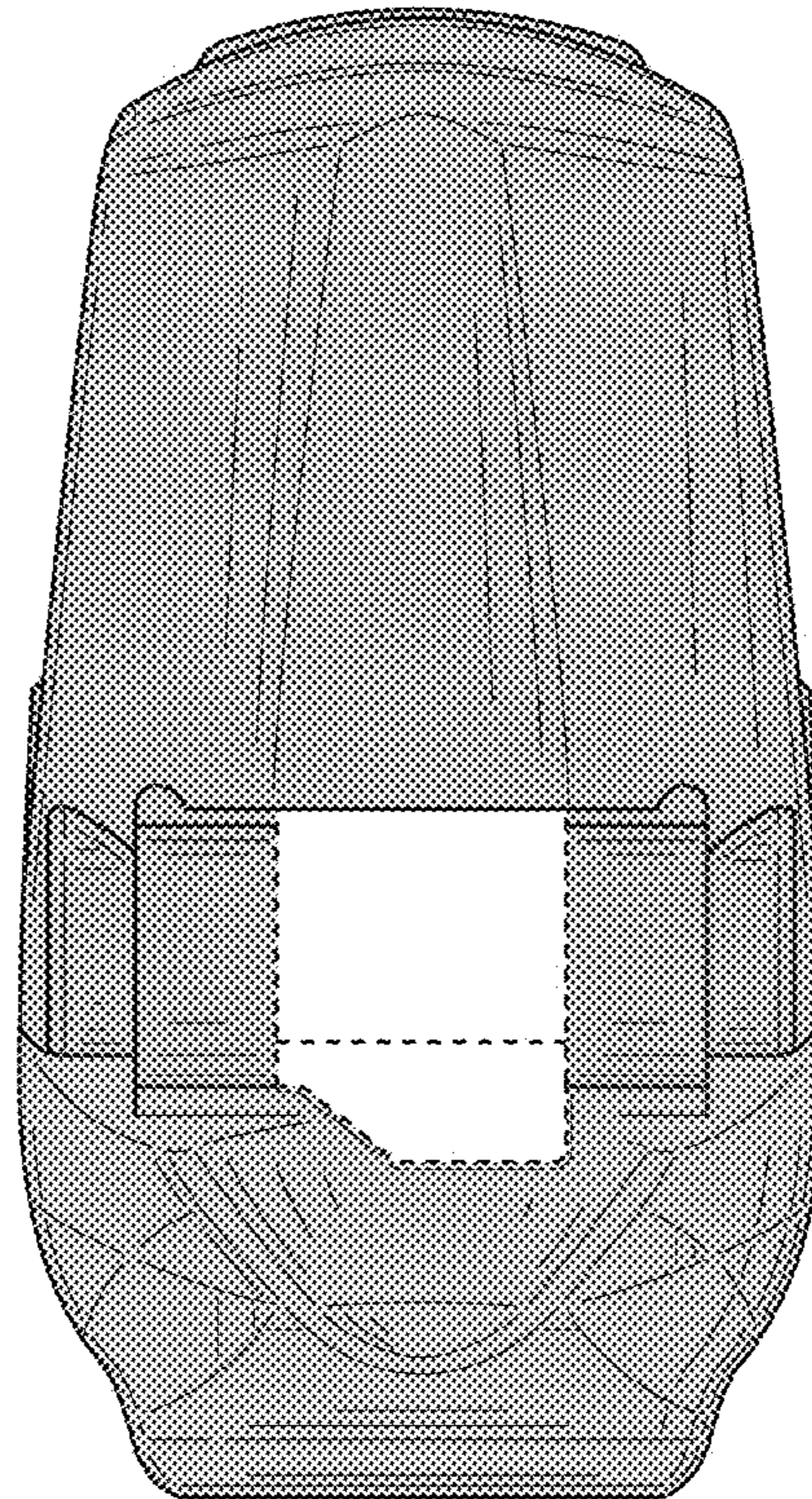


FIG 8

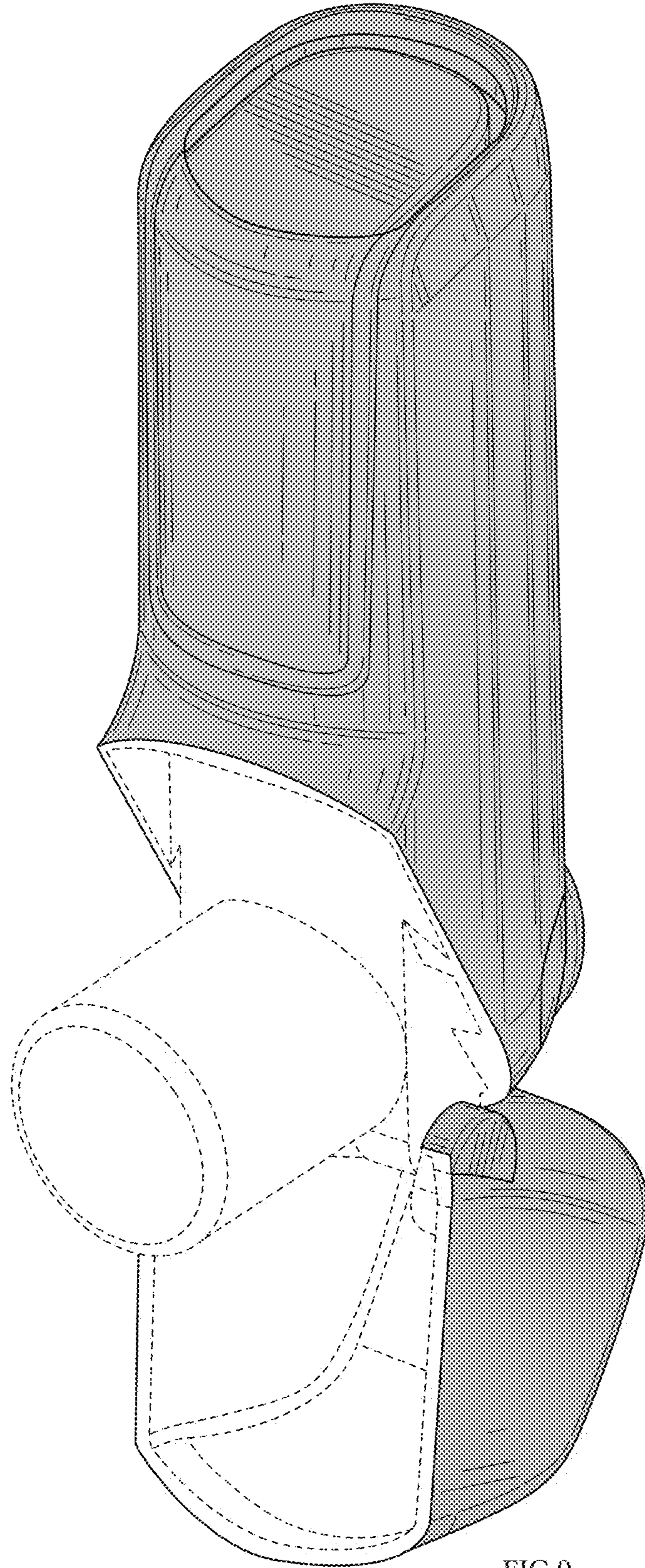


FIG 9

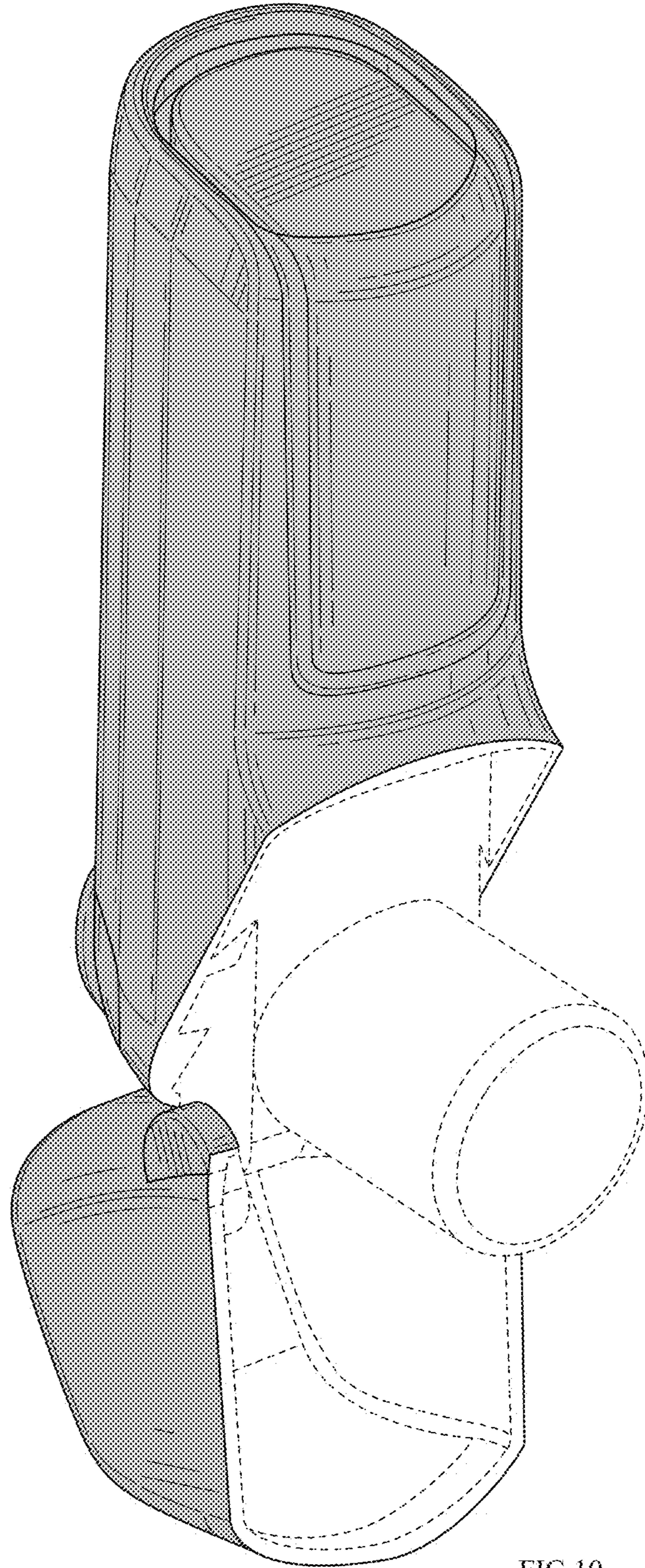


FIG 10

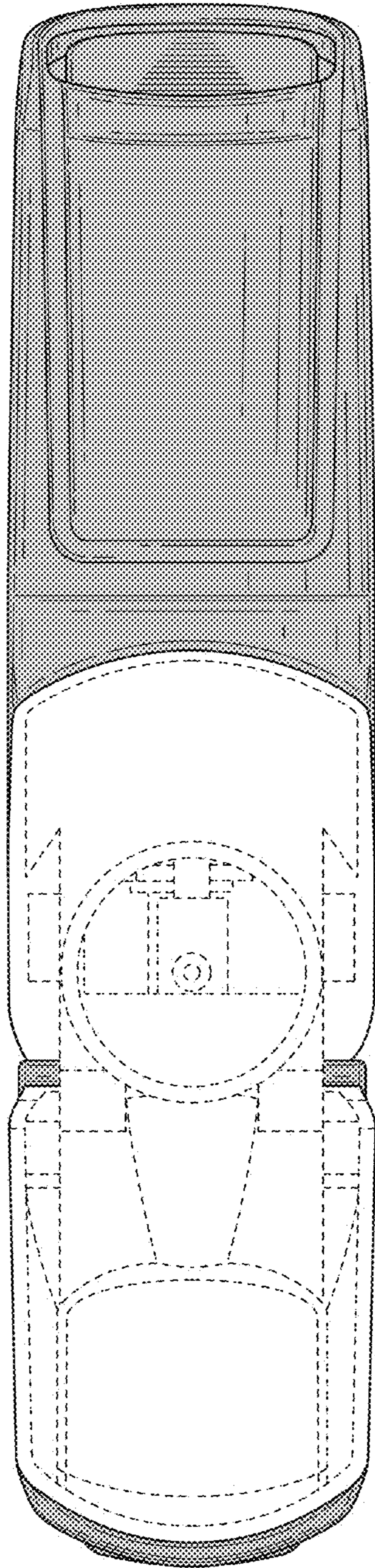


FIG 11

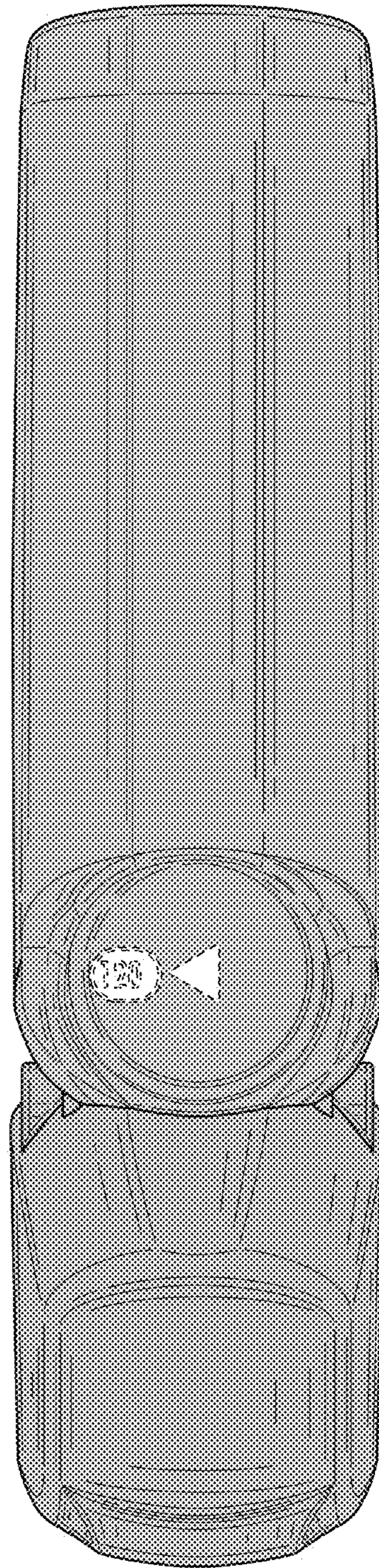


FIG 12

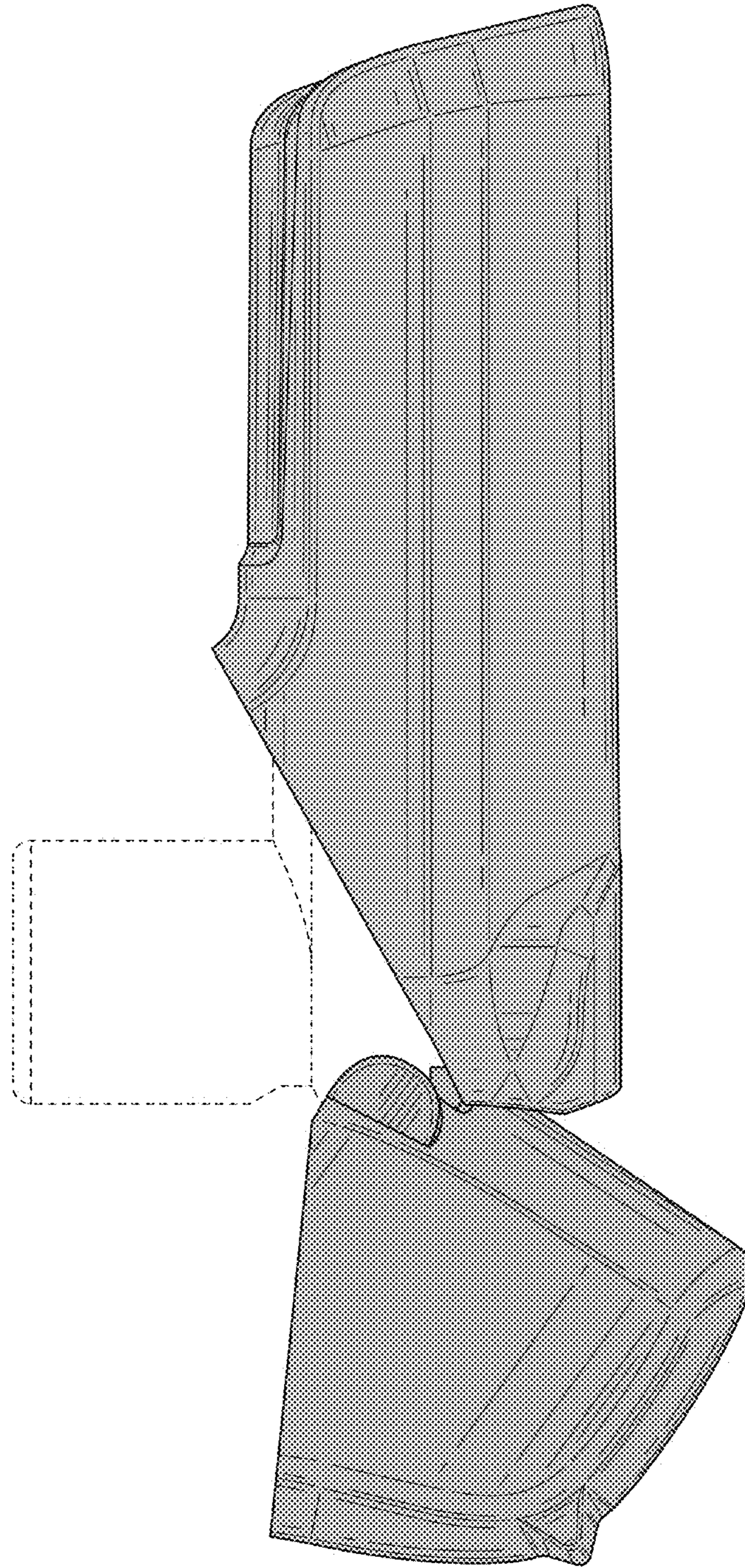


FIG 13

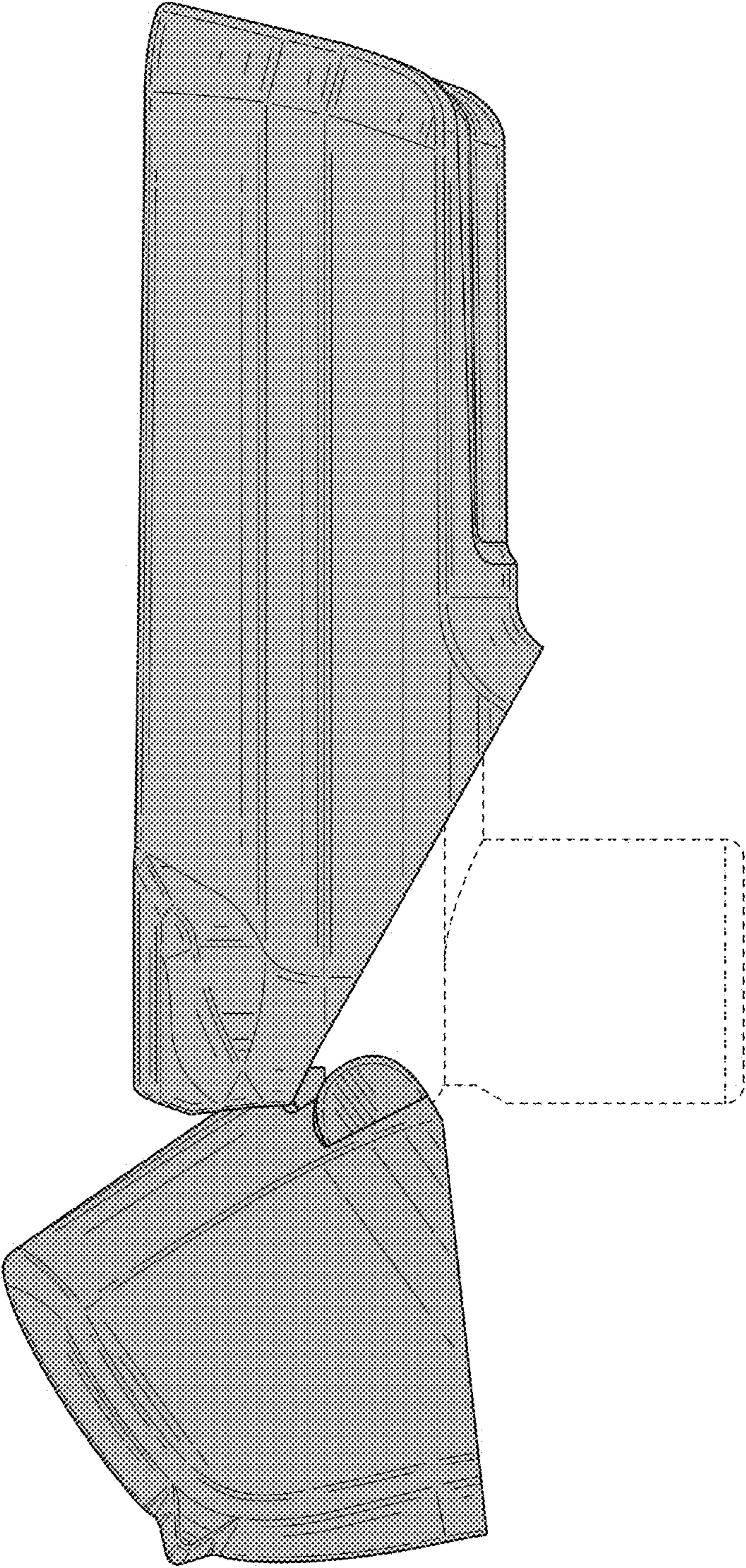


FIG 14

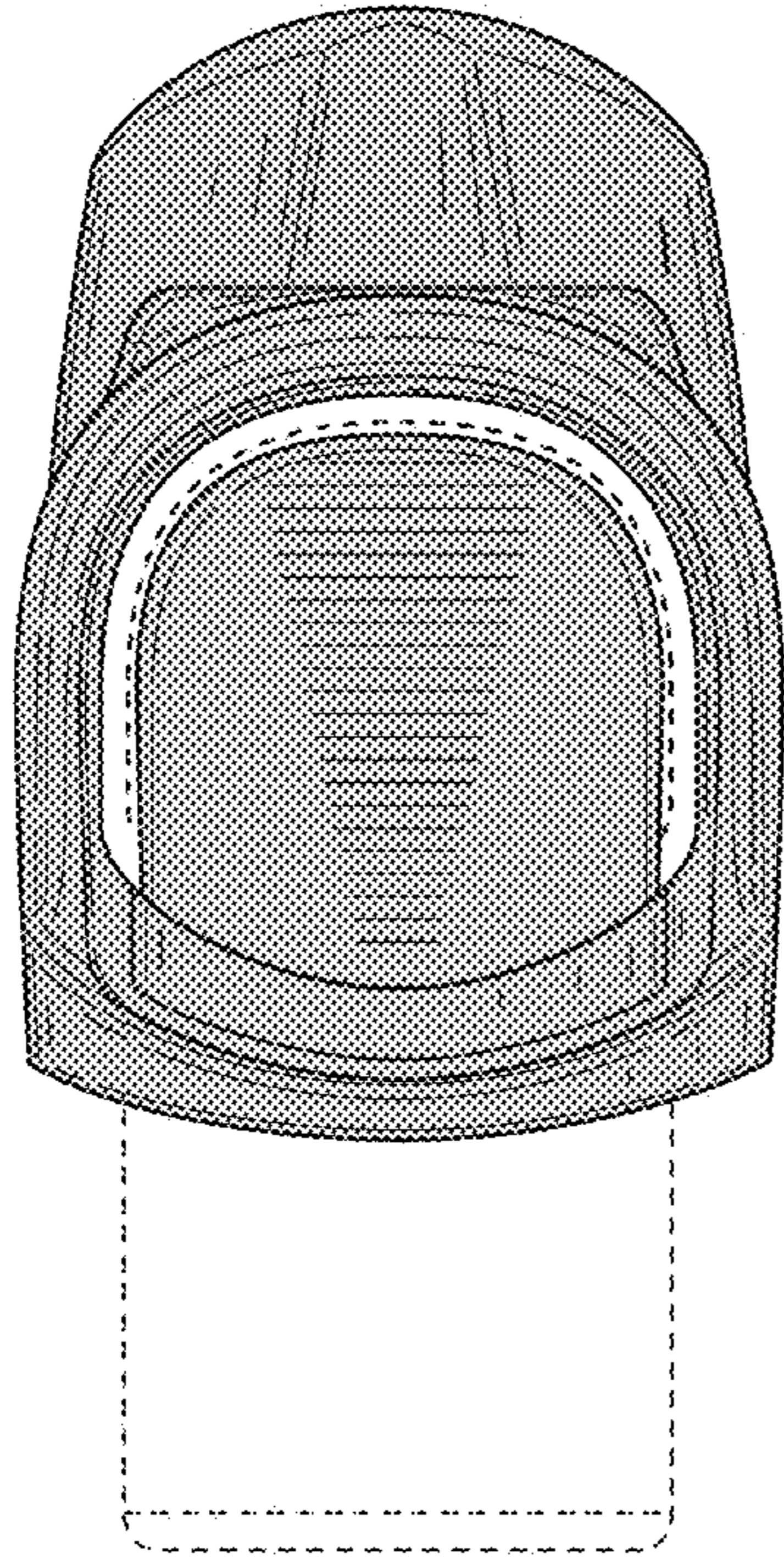


FIG 15

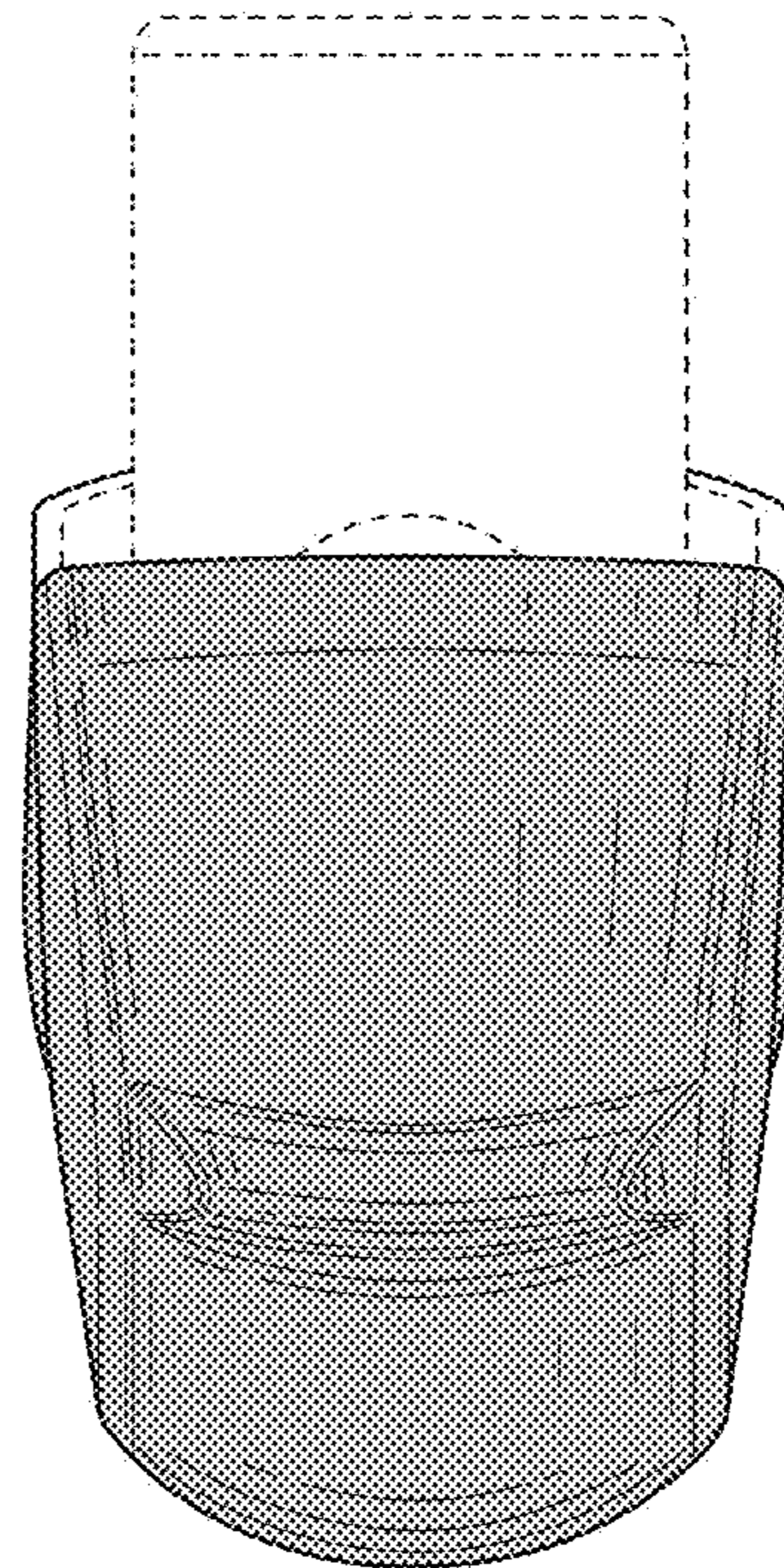


FIG 16