



US00D949323S

(12) **United States Design Patent**  
**Dalvi et al.**

(10) **Patent No.:** **US D949,323 S**  
(45) **Date of Patent:** **\*\* Apr. 19, 2022**

(54) **INHALER**

(71) Applicant: **Lupin Ltd.**, Maharashtra (IN)  
(72) Inventors: **Mukul Dalvi**, Coral Springs, FL (US);  
**Imran Shaikh**, Coral Springs, FL (US);  
**Xian-Ming Zeng**, Coral Springs, FL (US);  
**Antonio Belton**, Chicago, IL (US)

(73) Assignee: **LUPIN LTD.**, Maharashtra (IN)

(\*\*) Term: **15 Years**

(21) Appl. No.: **29/699,567**

(22) Filed: **Jul. 26, 2019**

(51) **LOC (13) Cl.** ..... **24-04**

(52) **U.S. Cl.**  
USPC ..... **D24/110**

(58) **Field of Classification Search**  
USPC ..... D24/110, 110.4–110.6, 108, 112, 129,  
D24/164  
CPC .. A61M 11/00; A61M 15/00; A61M 15/0025;  
A61M 15/0026; A61M 15/0065; A61M  
15/0068; A61M 15/007; A61M 15/0071;  
A61M 15/0073; A61M 15/0075; A61M  
15/0076; A61M 15/008; A61M 15/009;  
A61M 2202/064

See application file for complete search history.

(56) **References Cited**

**U.S. PATENT DOCUMENTS**

D769,437	S	*	10/2016	Walsh	.....	D24/110
D783,150	S	*	4/2017	Cottam	.....	D24/110
D783,151	S	*	4/2017	Cottam	.....	D24/110
D808,515	S	*	1/2018	Atkin	.....	D24/110
D834,704	S	*	11/2018	Atkin	.....	D24/110
11,110,234	B2	*	9/2021	Richardson	.....	A61M 15/002
2002/0073996	A1	*	6/2002	O’Leary	.....	A61M 15/0068
						128/203.15
2006/0237009	A1	*	10/2006	Jones	.....	A61M 15/0093
						128/203.15

(Continued)

**FOREIGN PATENT DOCUMENTS**

GB 9007514583-0004 \* 1/2020  
GB 9007514583-0005 \* 1/2020

(Continued)

*Primary Examiner* — Eric L Goodman

*Assistant Examiner* — Lee D. Starr

(74) *Attorney, Agent, or Firm* — Katten Muchin  
Rosenman LLP

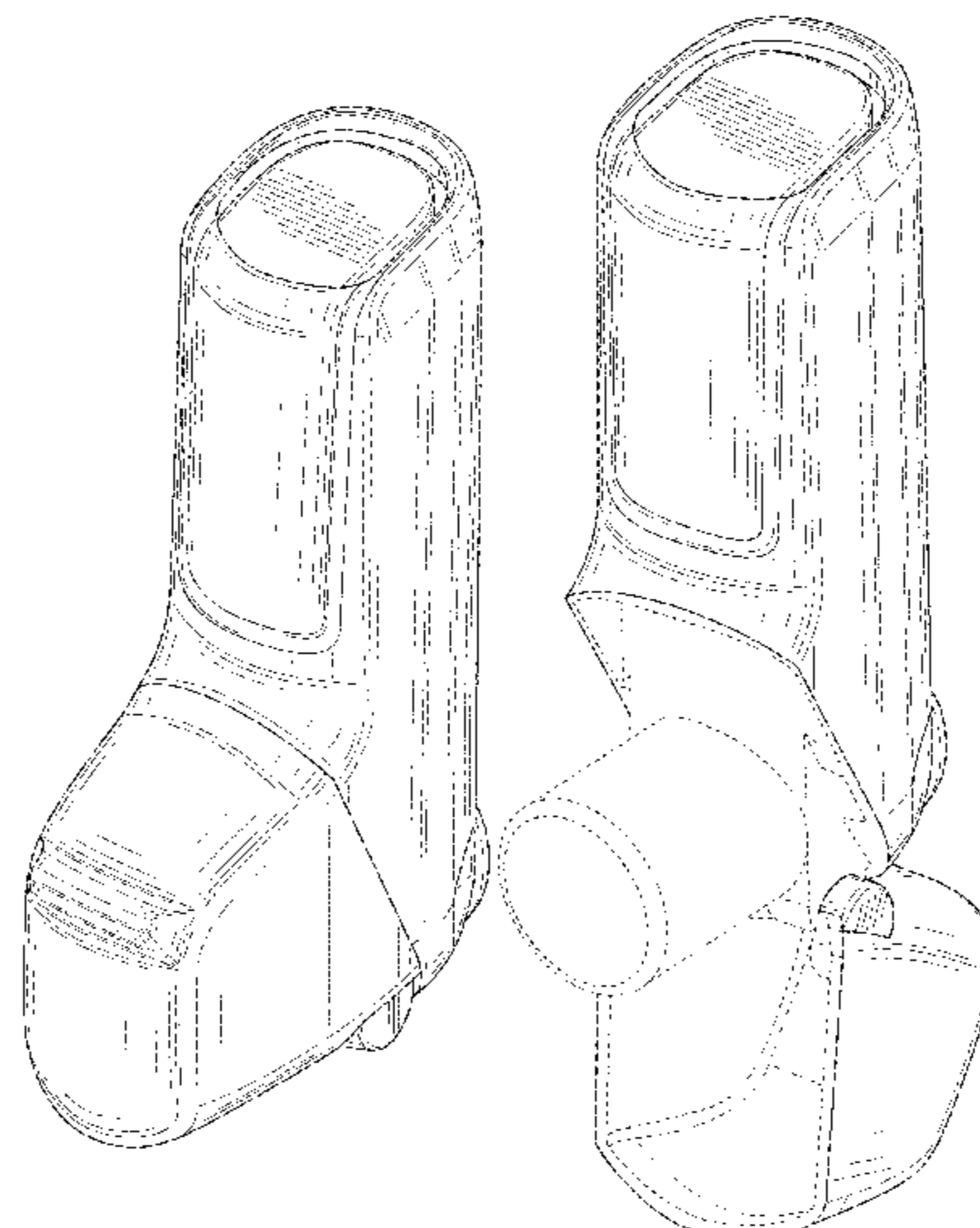
(57) **CLAIM**

We claim, the ornamental design for an inhaler, as shown and described.

**DESCRIPTION**

FIG. 1 is a left side perspective view of an inhaler, showing our new design;  
FIG. 2 is a right side perspective view thereof;  
FIG. 3 is a front view thereof;  
FIG. 4 is a rear view thereof;  
FIG. 5 is a left side view thereof;  
FIG. 6 is a right side view thereof;  
FIG. 7 is a top view thereof;  
FIG. 8 is a bottom view thereof;  
FIG. 9 is a left side perspective view thereof in an open configuration;  
FIG. 10 is a right side perspective view thereof;  
FIG. 11 is a front view thereof;  
FIG. 12 is a rear view thereof;  
FIG. 13 is a left side view thereof;  
FIG. 14 is a right side view thereof;  
FIG. 15 is a top view thereof; and,  
FIG. 16 is a bottom view thereof.  
Where portions shown in broken lines form no part of the claimed design.

**1 Claim, 12 Drawing Sheets**



(56)

**References Cited**

U.S. PATENT DOCUMENTS

2015/0099726 A1\* 4/2015 Dalvi ..... A61P 11/00  
514/171  
2016/0303336 A1\* 10/2016 Arp ..... A61M 15/0021  
2019/0111221 A1\* 4/2019 Richardson ..... A61M 15/0095  
2020/0046916 A1\* 2/2020 May ..... A61M 15/008

FOREIGN PATENT DOCUMENTS

GB 9007514583-0006 \* 1/2020  
GB 9007514583-0007 \* 1/2020

\* cited by examiner

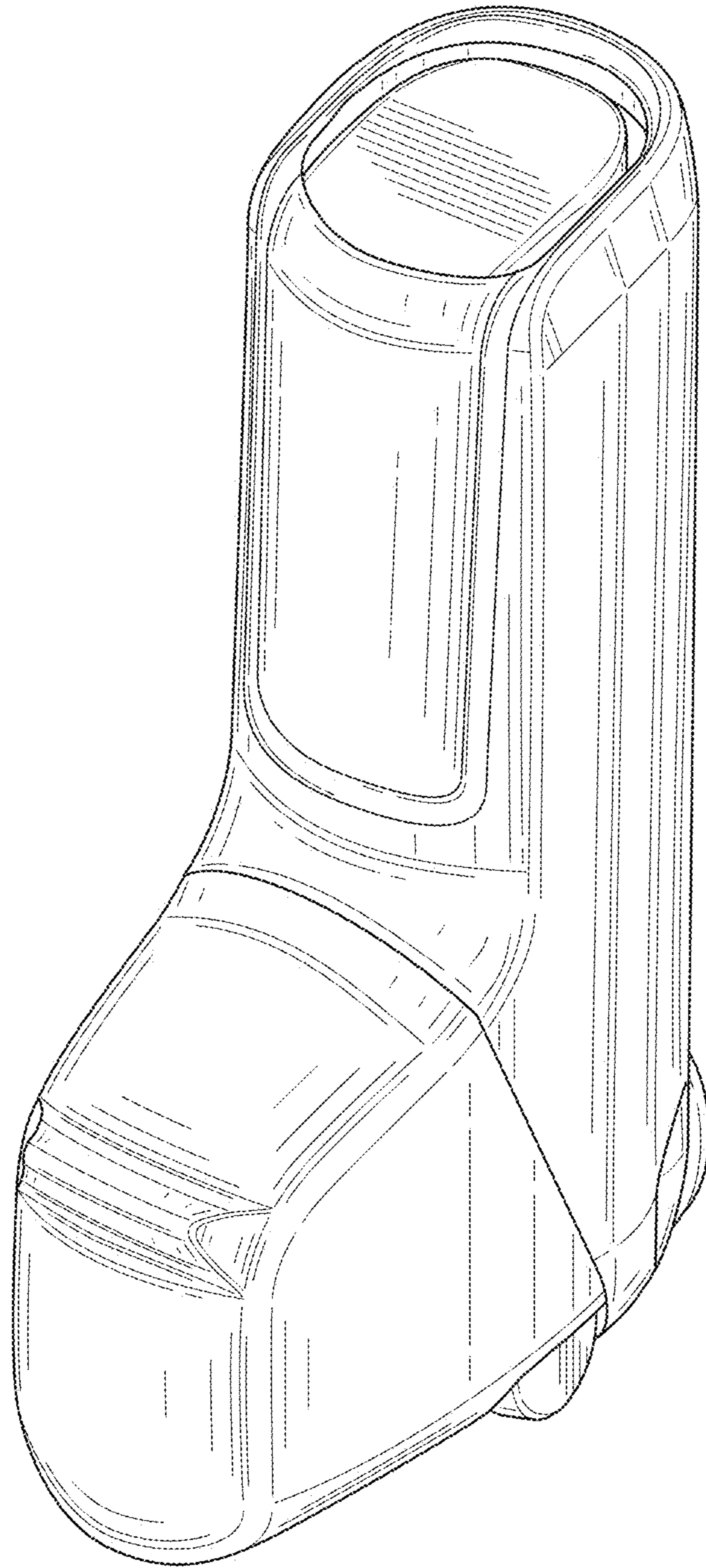


FIG 1

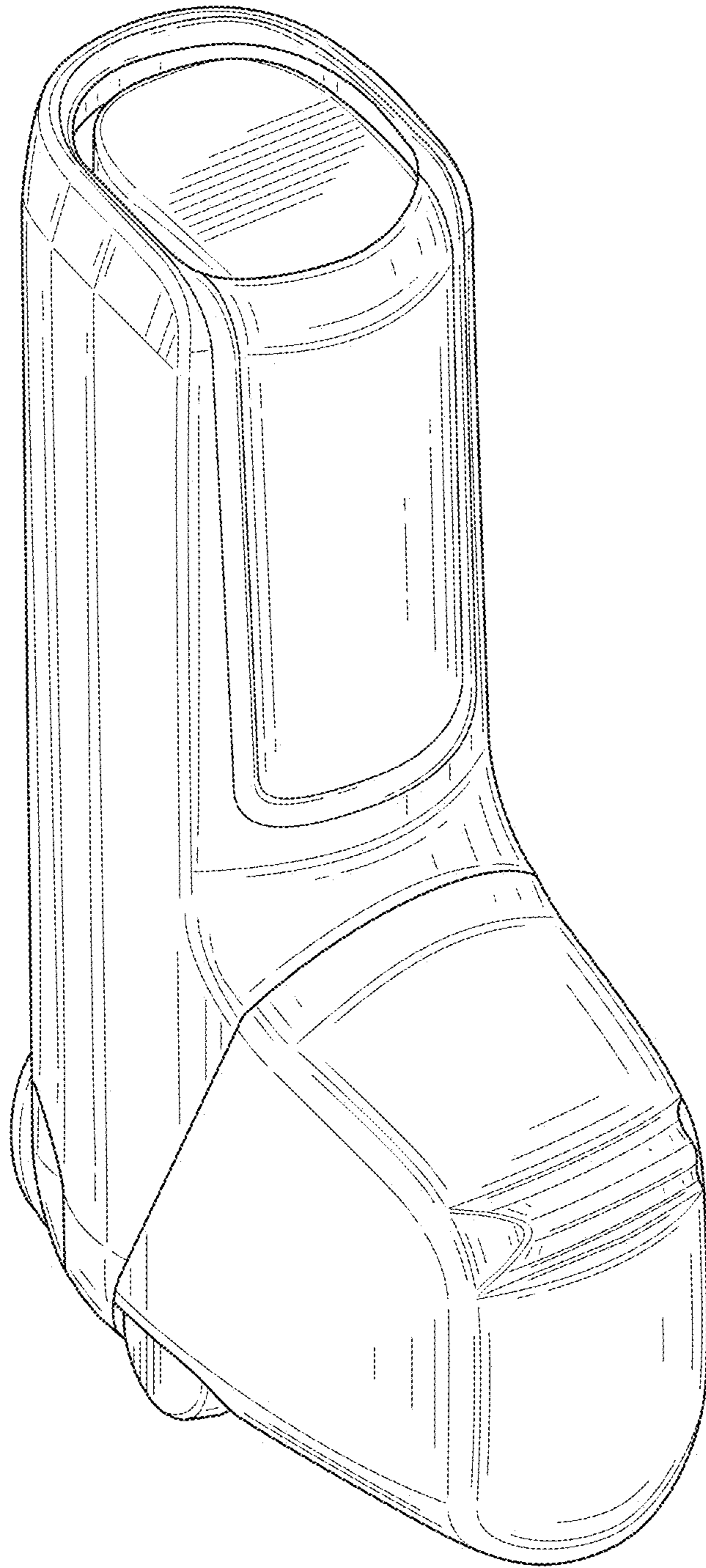


FIG 2

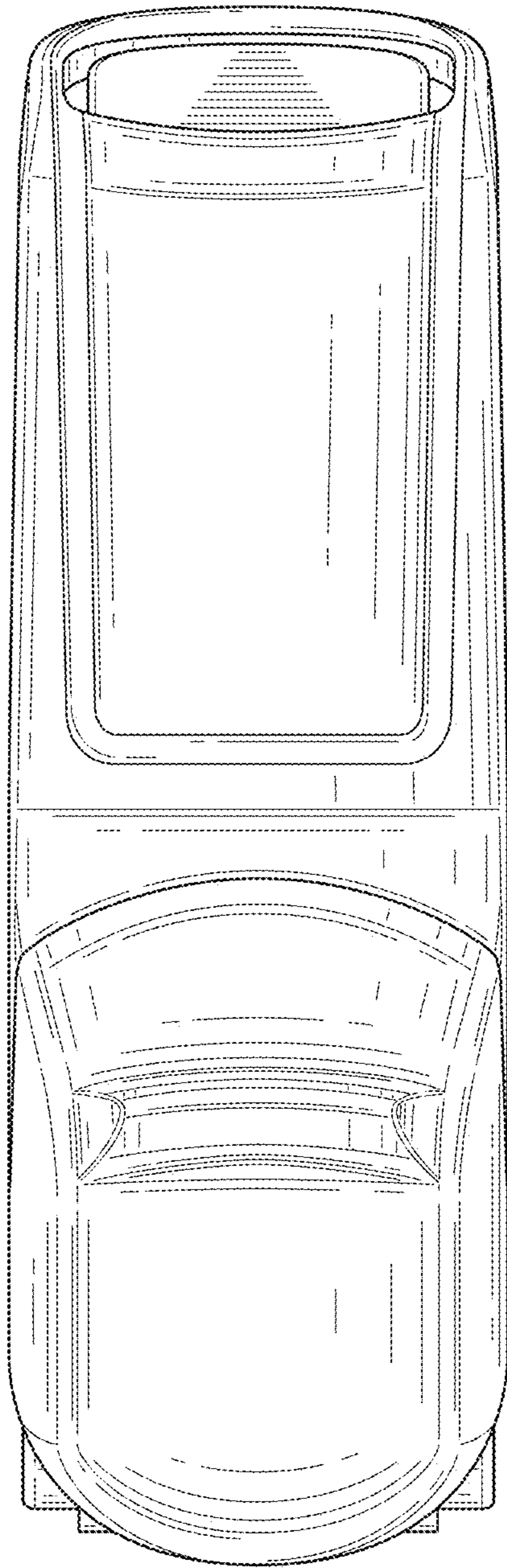


FIG 3

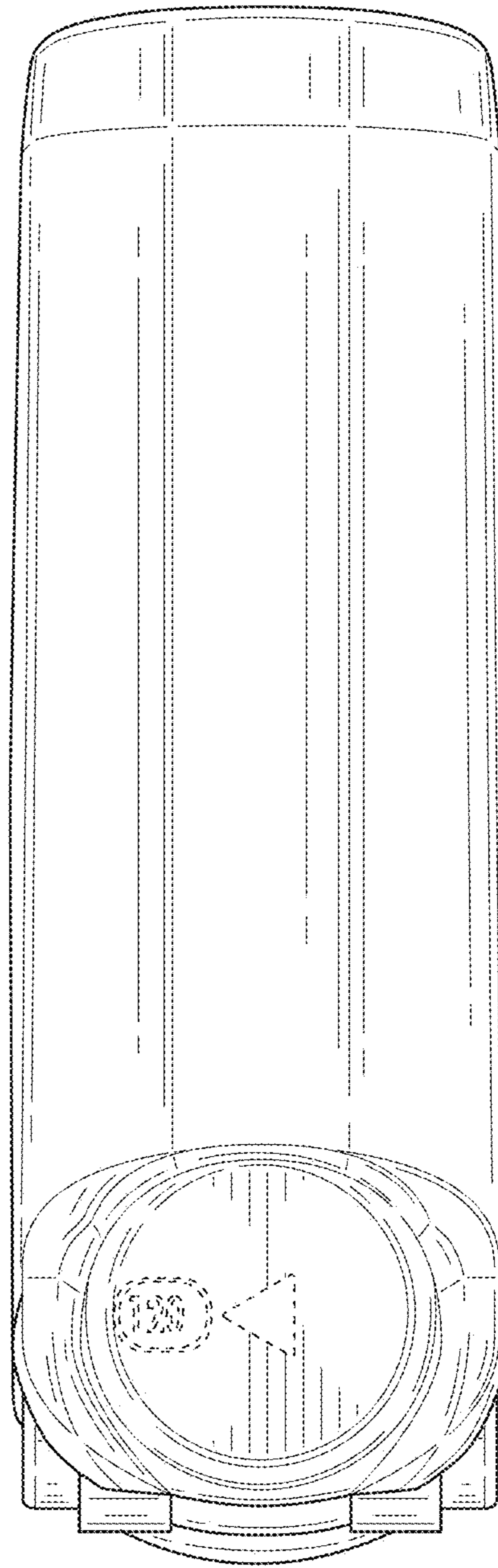


FIG 4

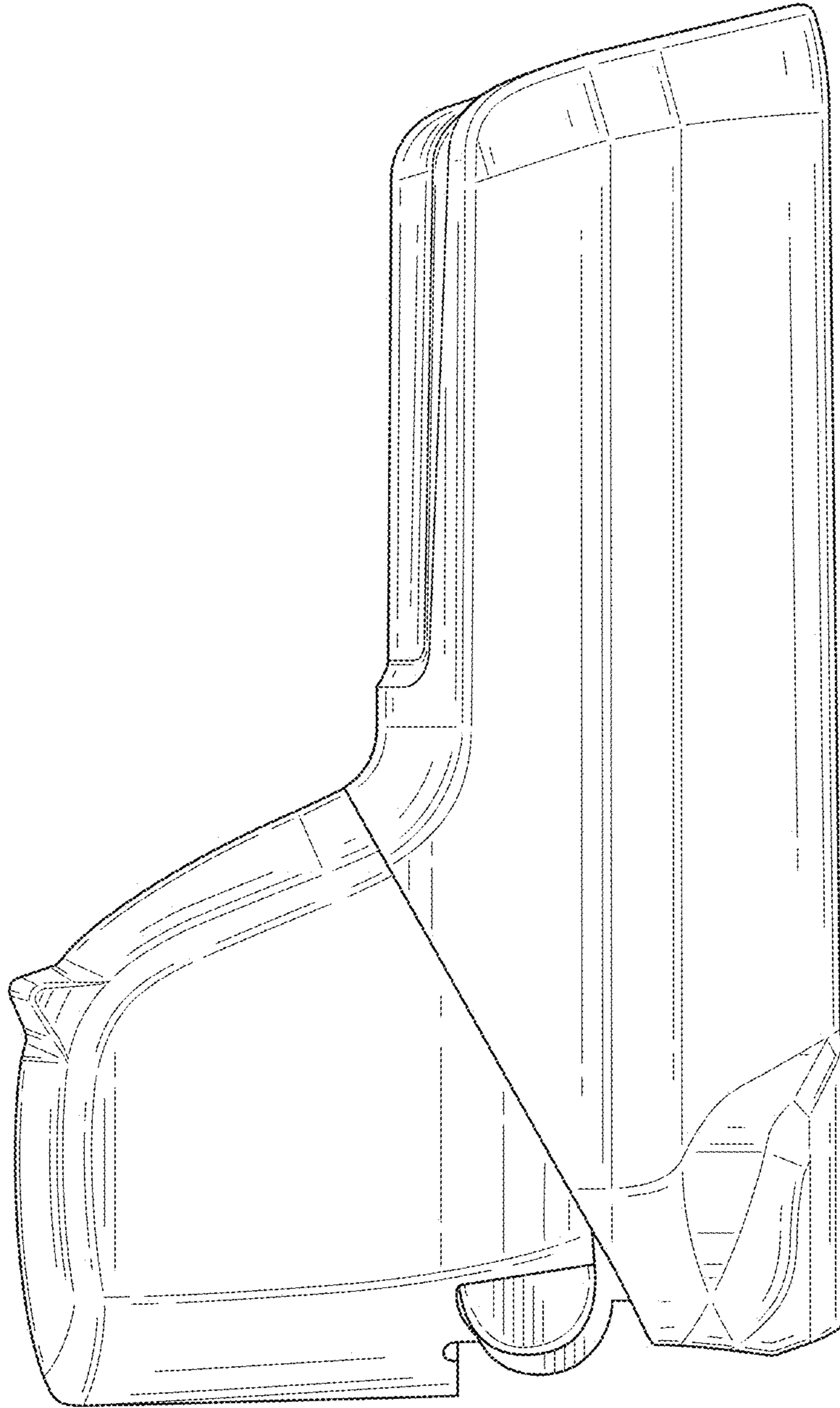


FIG 5

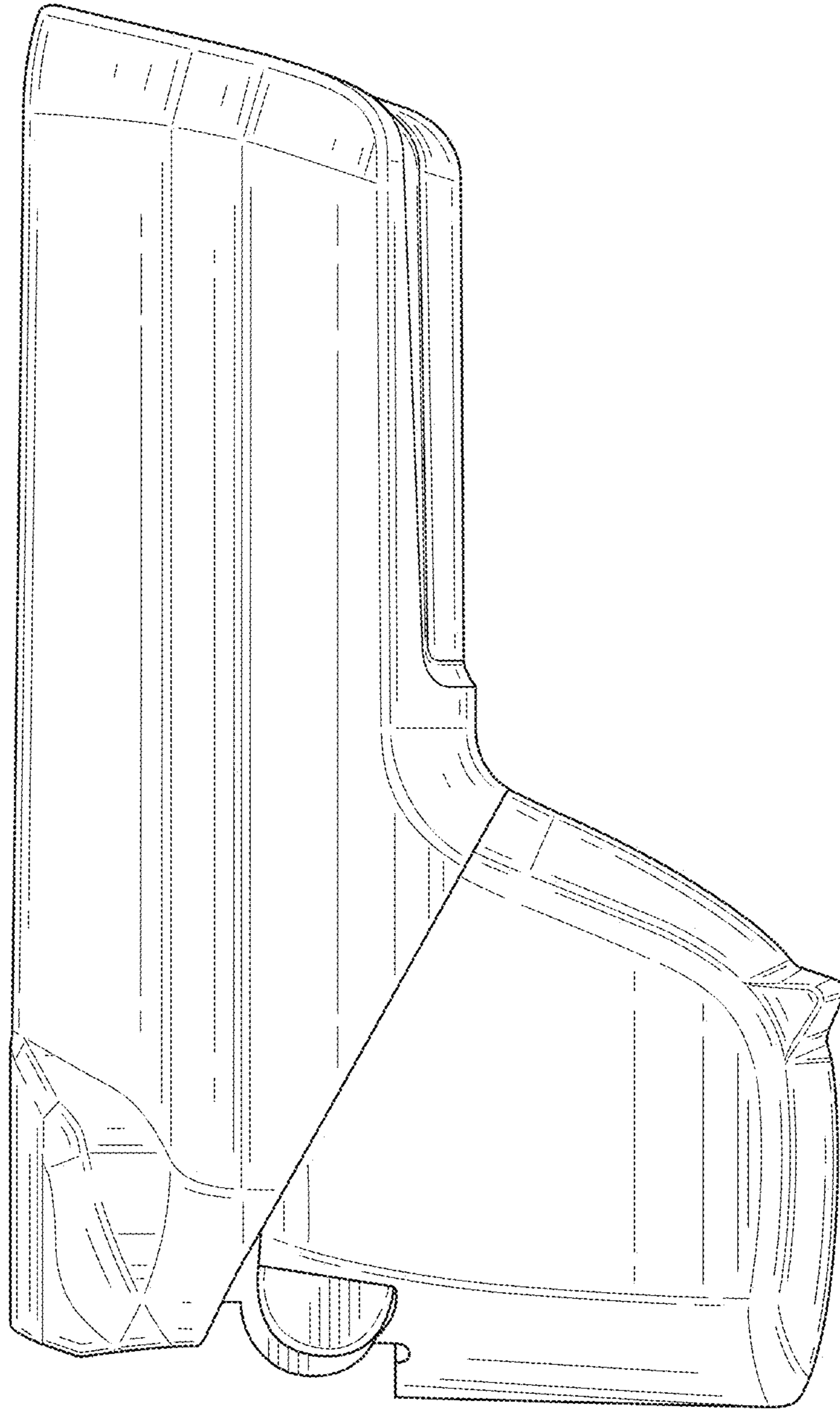


FIG 6

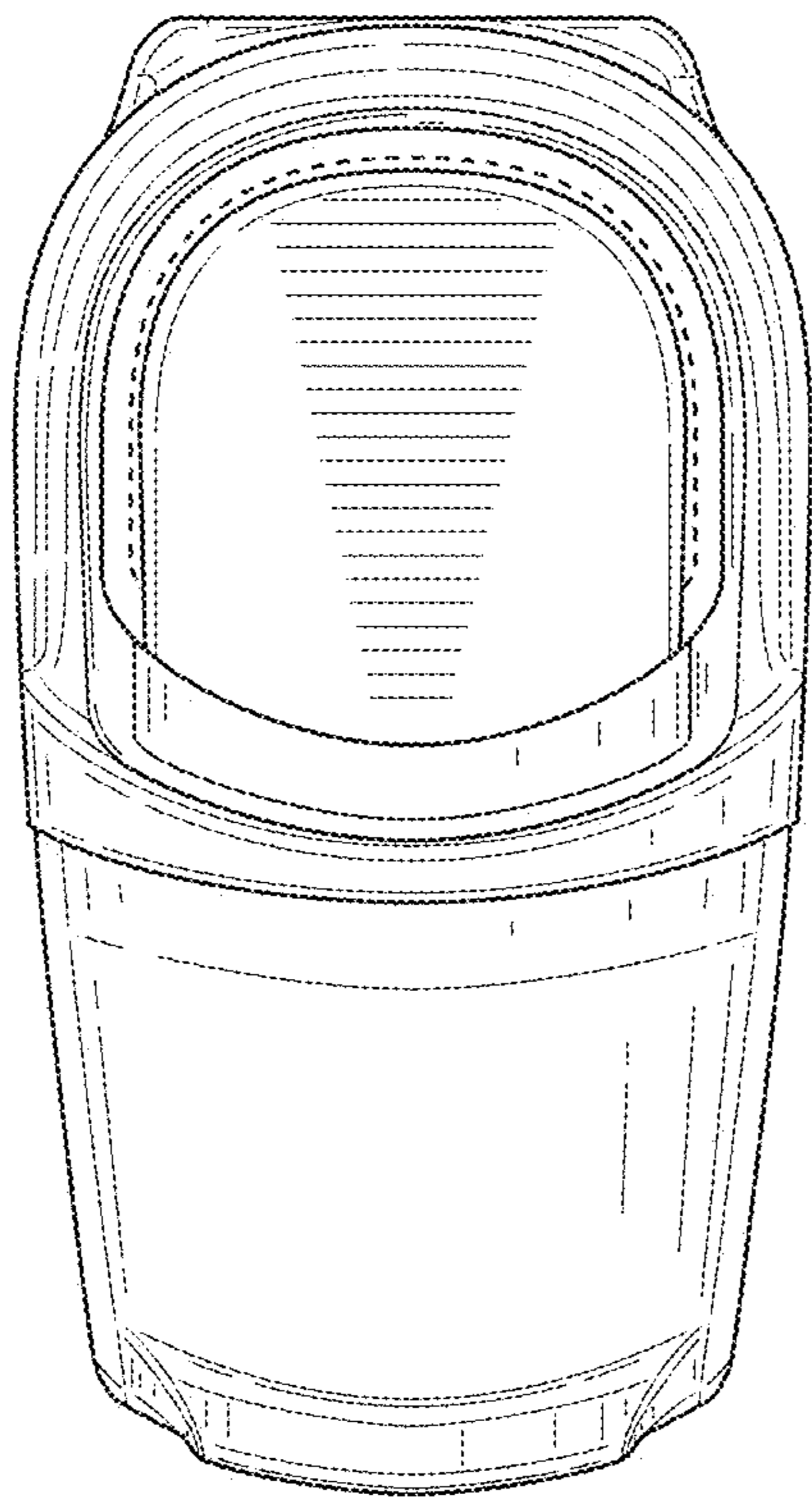


FIG 7

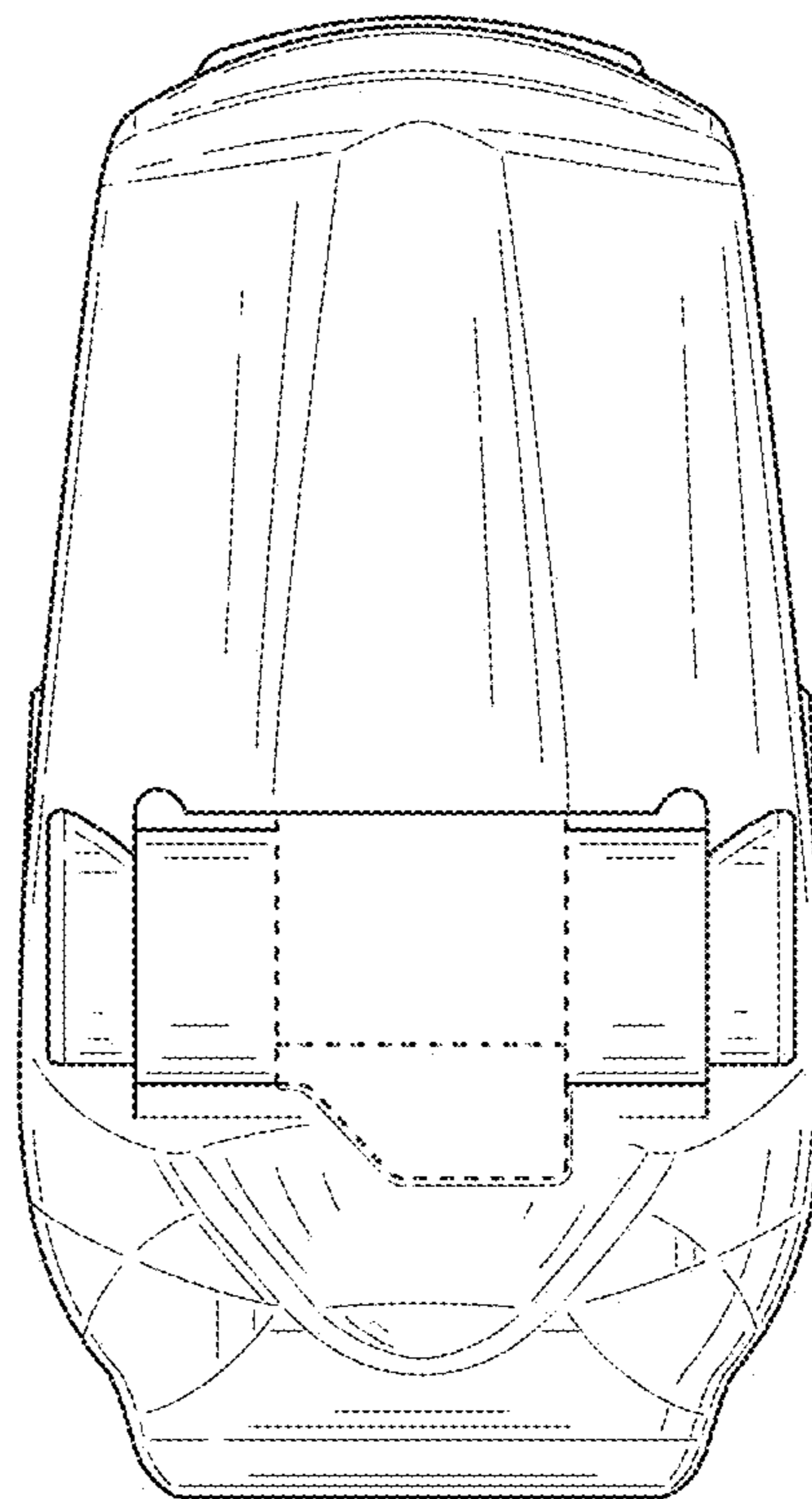


FIG 8



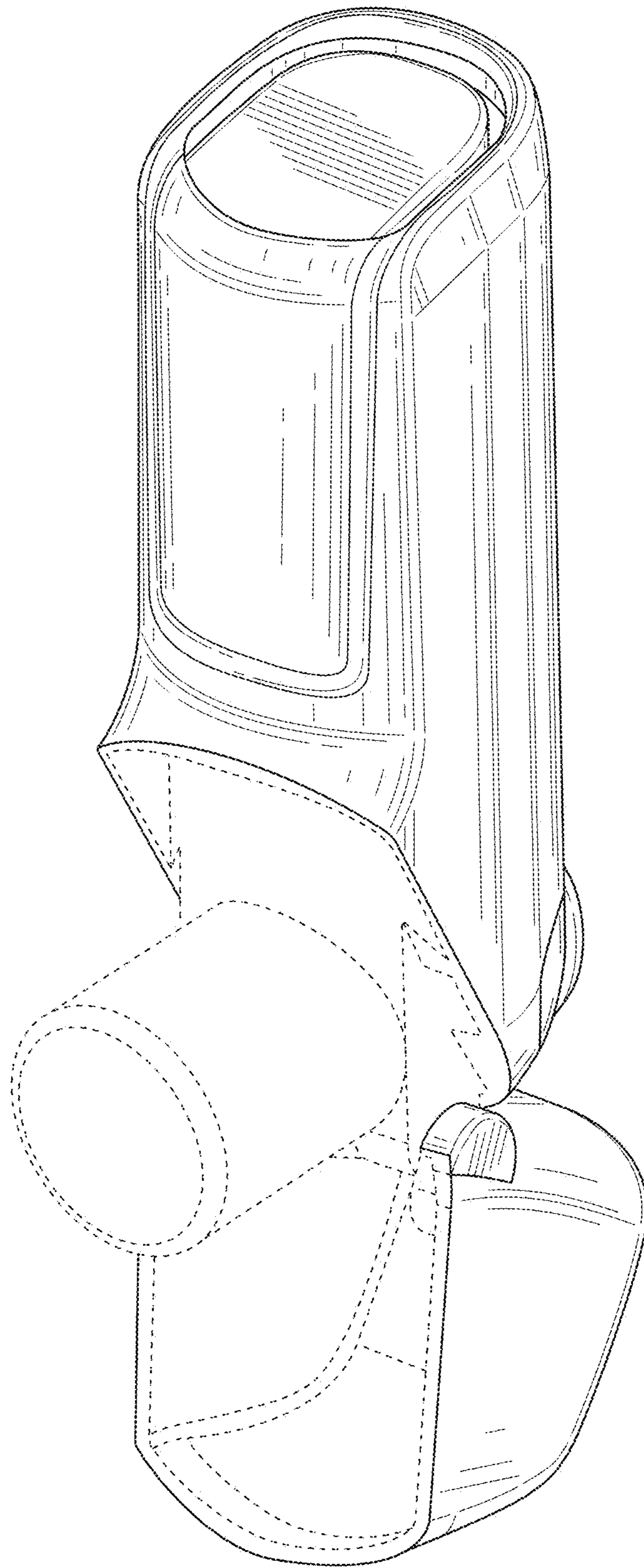


FIG 9

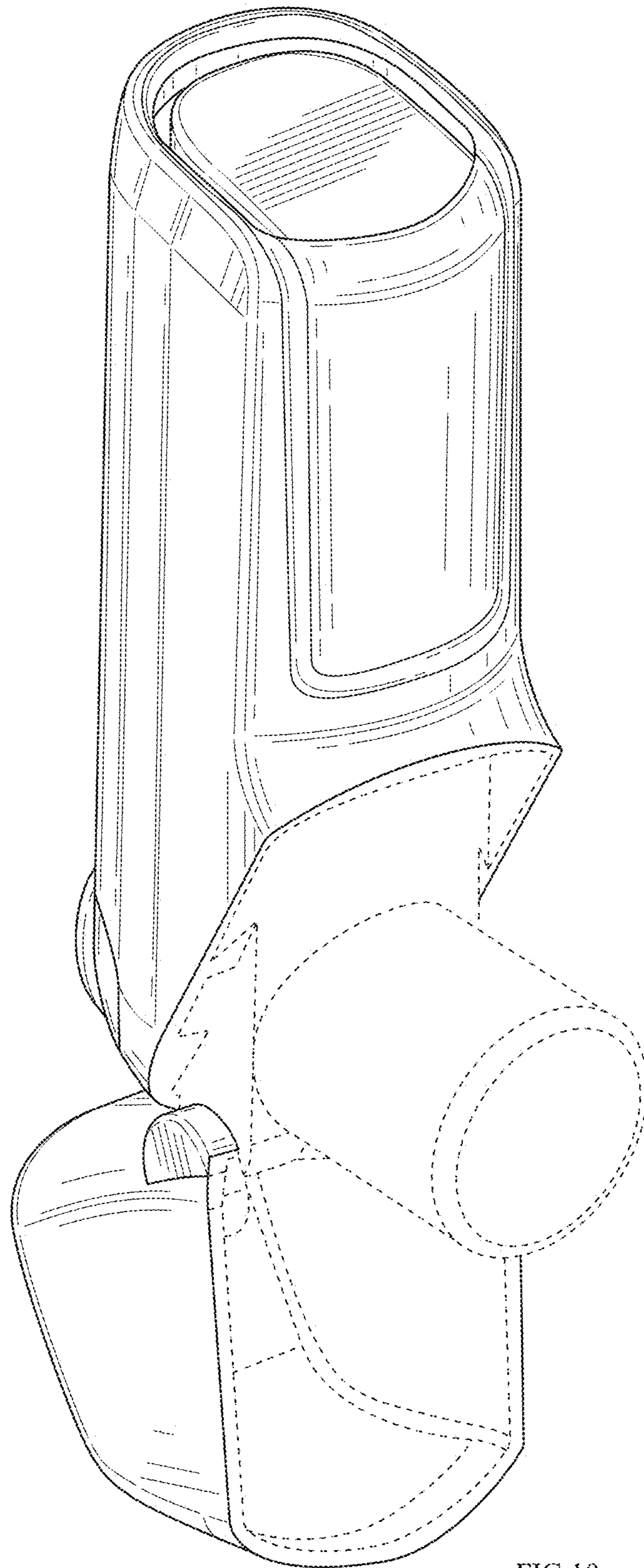


FIG 10

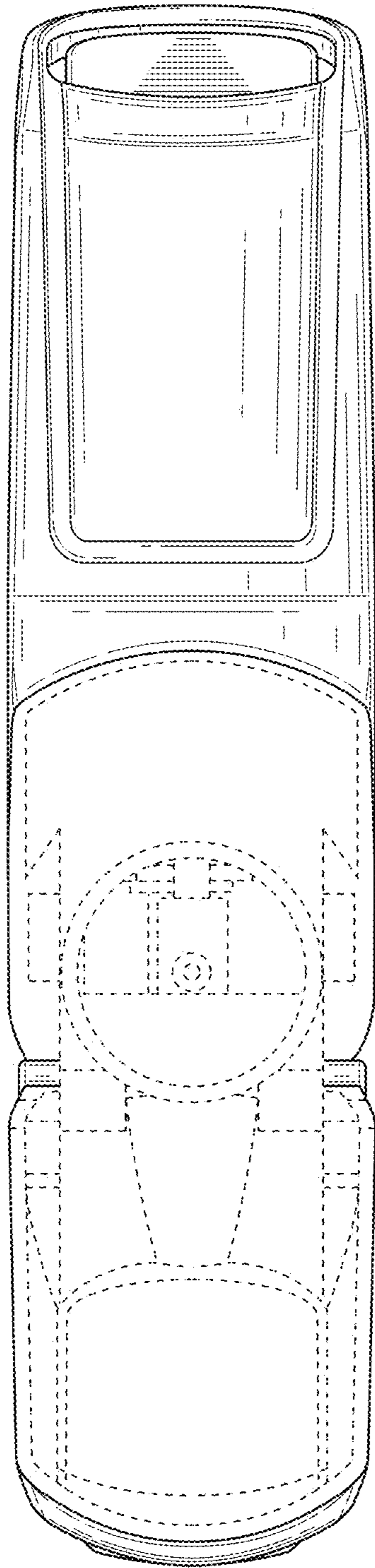


FIG 11

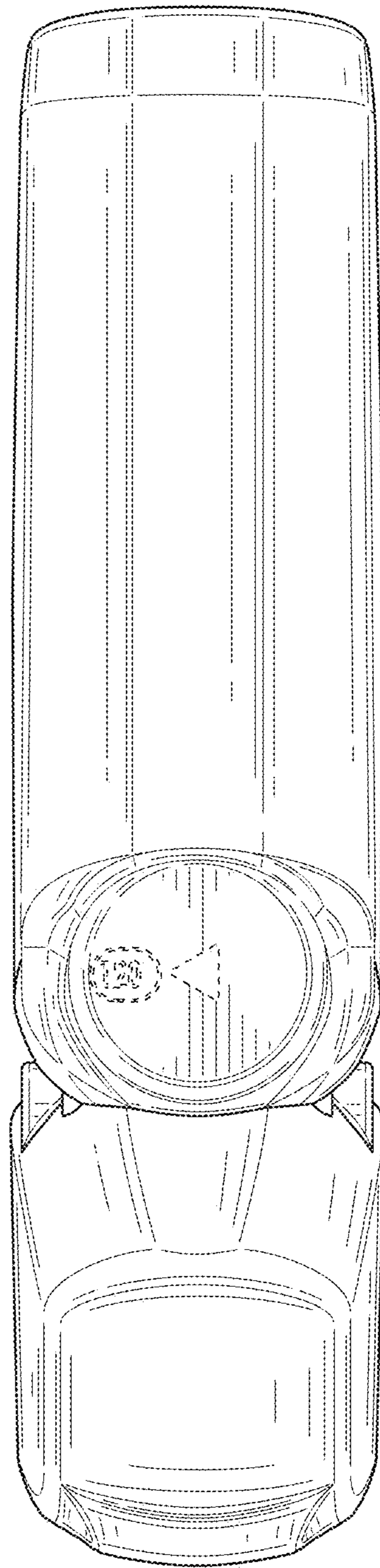


FIG 12

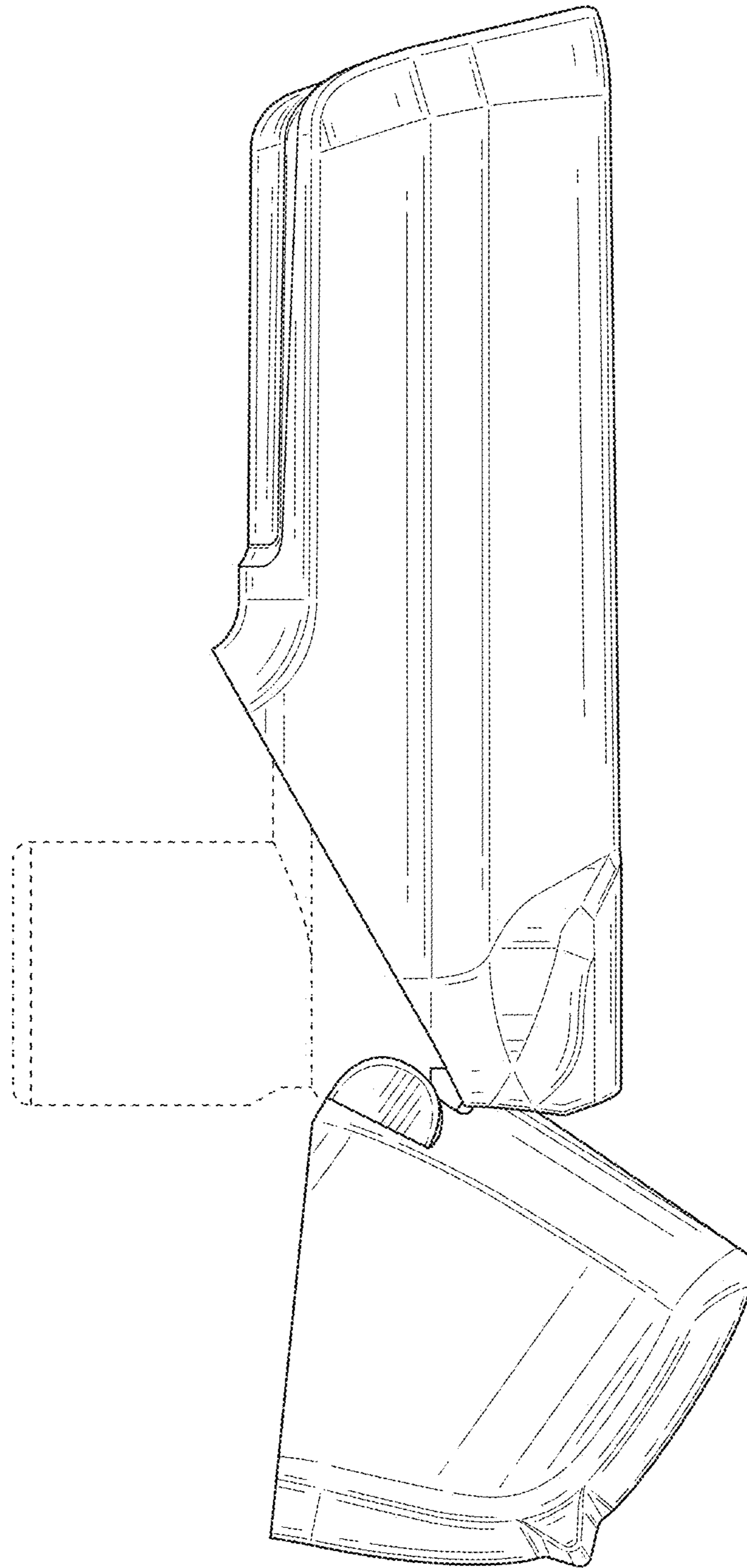


FIG 13

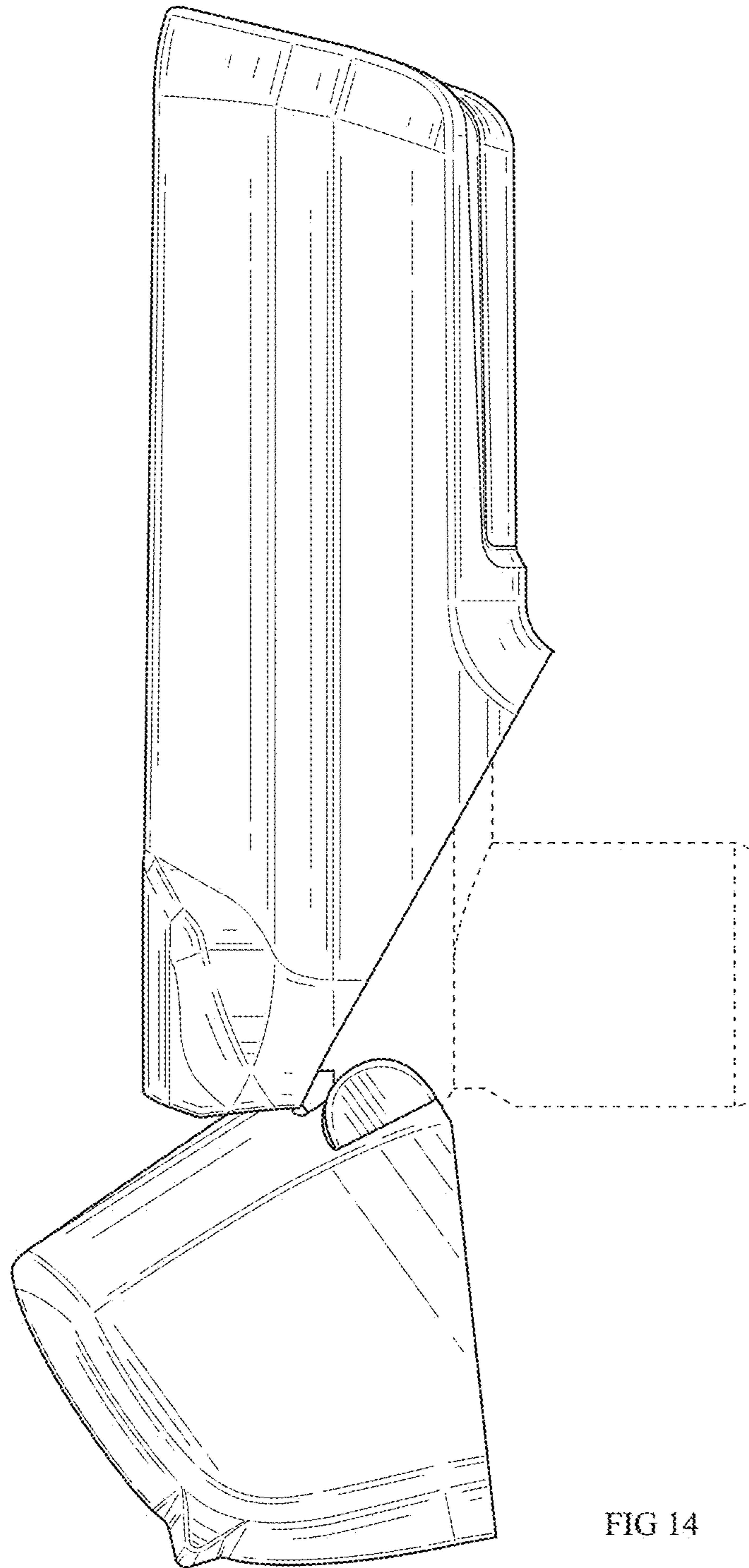


FIG 14

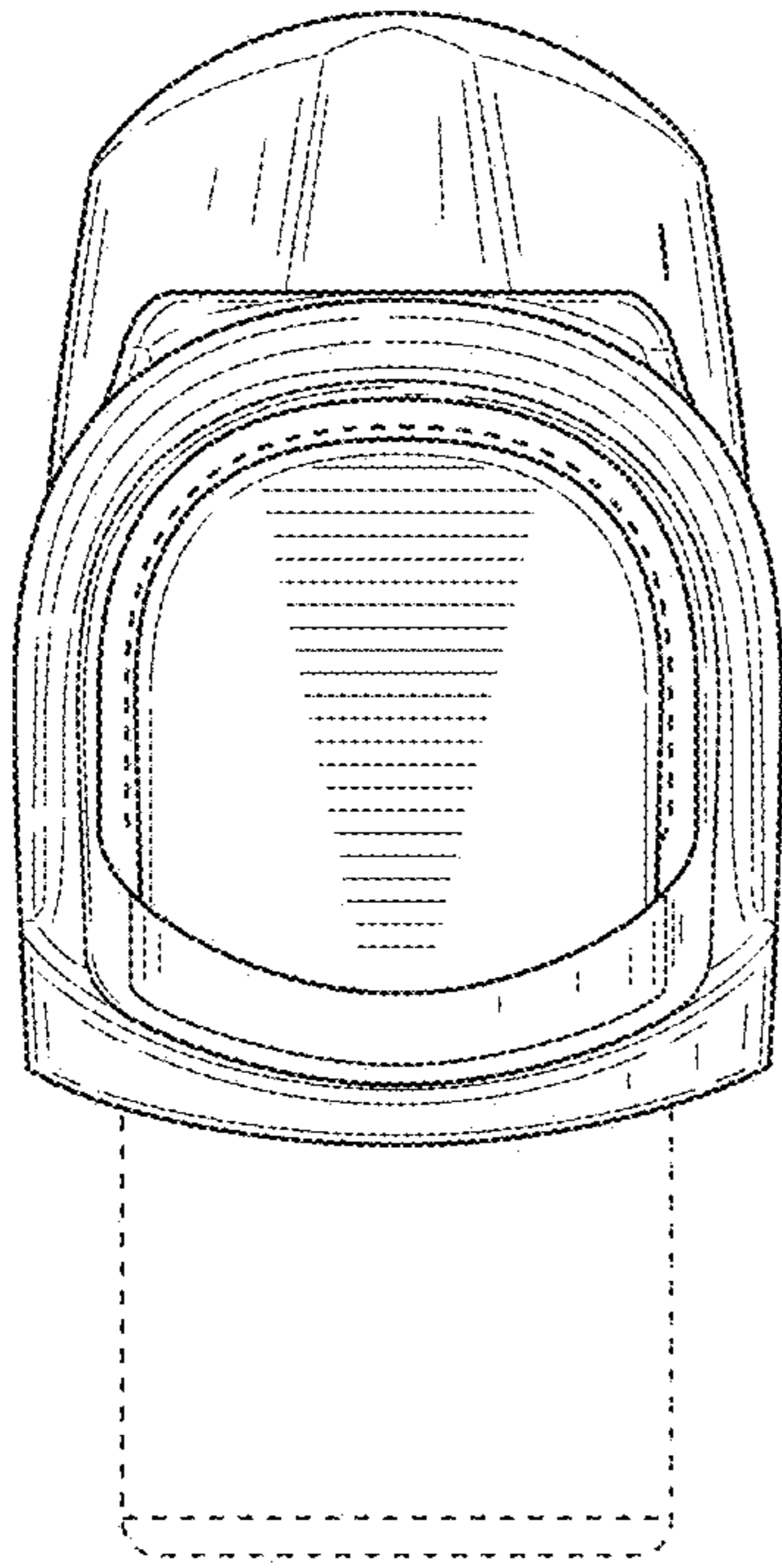


FIG 15

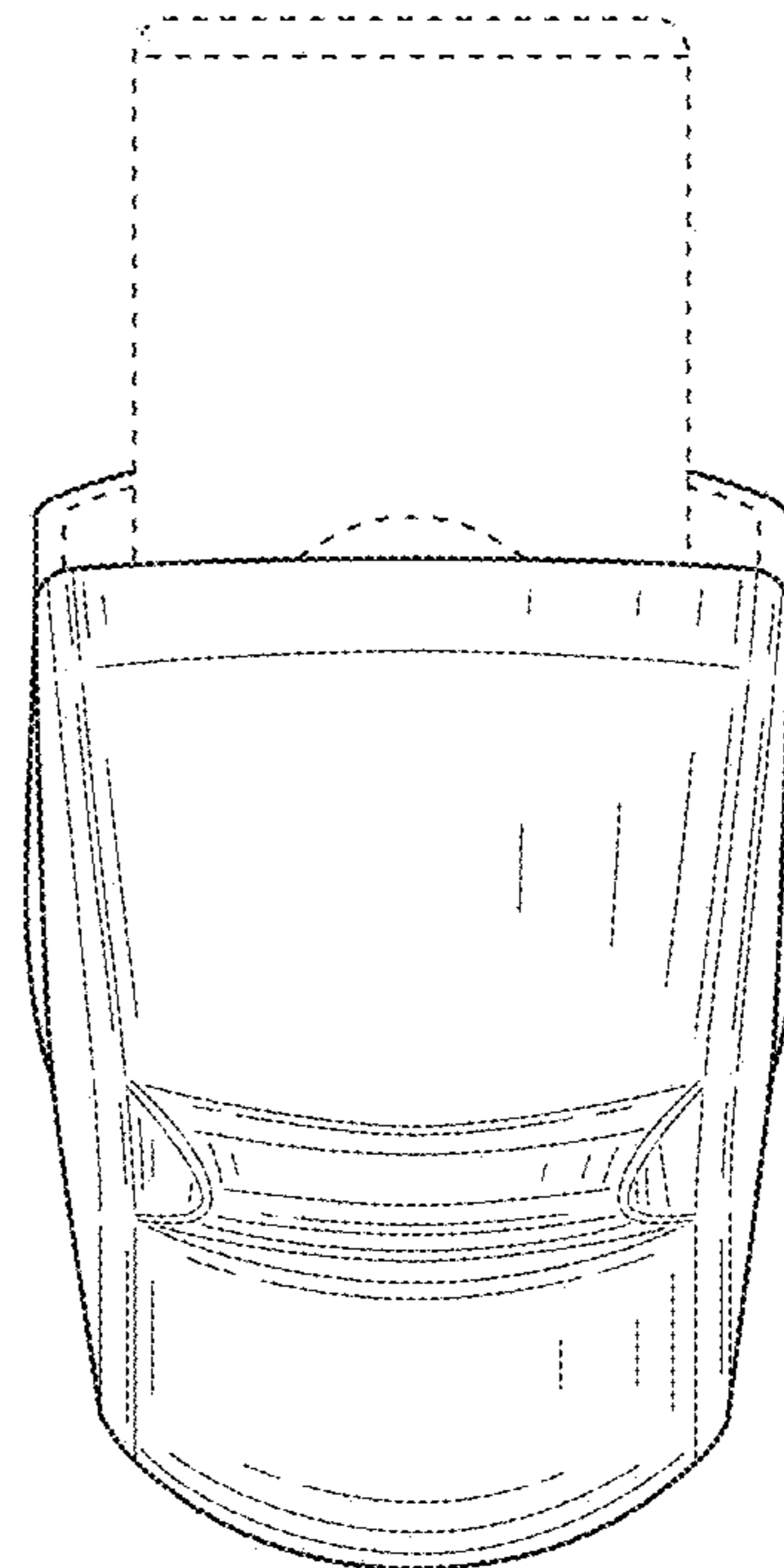


FIG 16