



US00D949322S

(12) **United States Design Patent**
Davis et al.

(10) **Patent No.:** **US D949,322 S**
(45) **Date of Patent:** **** Apr. 19, 2022**

(54) **RESPIRATORY TRAINER**

(71) Applicant: **EVOLVED, LLC**, Austin, TX (US)

(72) Inventors: **Aaron Davis**, Austin, TX (US); **Patrick Estes**, Austin, TX (US); **Roy Prorise**, Austin, TX (US); **Dan Caputo**, Austin, TX (US); **Benjamin Derek Litteral**, Austin, TX (US)

(73) Assignee: **Evolved, LLC**, Austin, TX (US)

(**) Term: **15 Years**

(21) Appl. No.: **29/678,946**

(22) Filed: **Jan. 31, 2019**

(51) **LOC (13) Cl.** **29-02**

(52) **U.S. Cl.**
USPC **D24/110**

(58) **Field of Classification Search**
USPC D24/110–110.6, 127, 129; D29/110
CPC A61M 16/0616; A61M 16/0633; A61M 16/06; A61M 16/0666; A61M 16/0683; A61M 16/0605; A61M 16/0622; A61M 16/0644; A61M 16/0875; A61M 16/0816; A61M 16/08; B63C 11/205; B63C 11/16; B63C 11/186; B63C 11/12

See application file for complete search history.

(56) **References Cited**

U.S. PATENT DOCUMENTS

5,243,971 A * 9/1993 Sullivan A61M 16/06 128/204.18
6,119,694 A * 9/2000 Correa A61M 16/0666 128/207.13
D439,326 S * 3/2001 Hecker D24/110.1
D586,907 S * 2/2009 Judson D24/110.1
D623,288 S * 9/2010 Lubke D24/110.1
D656,231 S * 3/2012 Henry D24/110.1

D659,237 S * 5/2012 Lubke D24/110.1
D664,250 S * 7/2012 Scheiner D24/110.1
D691,712 S * 10/2013 Judson D24/110.1
D692,554 S * 10/2013 Siew D24/110.1
D704,329 S * 5/2014 Collazo D24/110.1
D708,736 S * 7/2014 Judson D24/110.5
D737,953 S * 9/2015 Wells D24/110
D740,935 S * 10/2015 Cullen D24/110.1
D743,535 S * 11/2015 Wells D24/110
D751,687 S * 3/2016 Daly D24/110
D757,252 S * 5/2016 Von Moger D24/110.5
D764,049 S * 8/2016 Cullen D24/110.4
D770,036 S * 10/2016 Walls D24/110.4
D771,238 S * 11/2016 Scheiner D24/110.1
D787,661 S * 5/2017 Edwards D24/110.4
D787,662 S * 5/2017 Guney D24/110.4
D794,772 S * 8/2017 Cullen D24/110.4
D797,921 S * 9/2017 Huang D24/110.4
D805,630 S * 12/2017 Formica D24/110
D808,516 S * 1/2018 Edwards D24/110.4
D815,728 S * 4/2018 Walls D24/110.4
2004/0146842 A1 7/2004 Carlucci et al.

(Continued)

Primary Examiner — Sheryl Lane

Assistant Examiner — Aula Soroush

(74) *Attorney, Agent, or Firm* — Dickinson Wright, PLLC

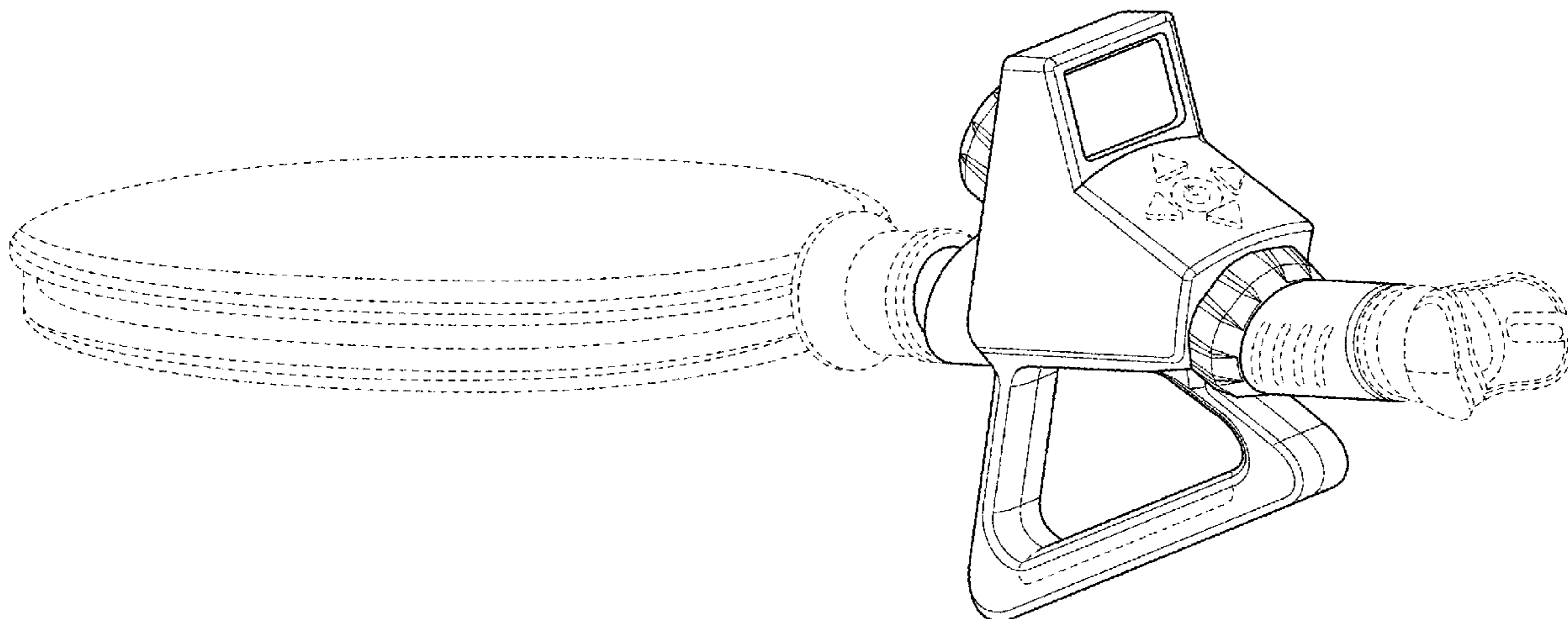
(57) **CLAIM**

The ornamental design for a respiratory trainer, substantially as shown and described.

DESCRIPTION

FIG. 1 is a perspective view of the respiratory trainer; FIG. 2 is a top view thereof; FIG. 3 is a rear view thereof; FIG. 4 is a left view thereof; FIG. 5 is a front view thereof; FIG. 6 is a right view thereof; and, FIG. 7 is a bottom view thereof. Portions of the article shown in broken lines form no part of the claimed design.

1 Claim, 7 Drawing Sheets



(56)

References Cited

U.S. PATENT DOCUMENTS

2012/0090622 A1* 4/2012 Chang A61M 16/0666
128/207.18
2014/0000614 A1* 1/2014 Chang A61M 16/0666
128/205.25
2017/0000964 A1* 1/2017 Shafer A61M 16/06
2017/0368285 A1* 12/2017 Wood A61M 16/0666
2018/0001044 A1* 1/2018 Stephens A61M 16/0605

* cited by examiner

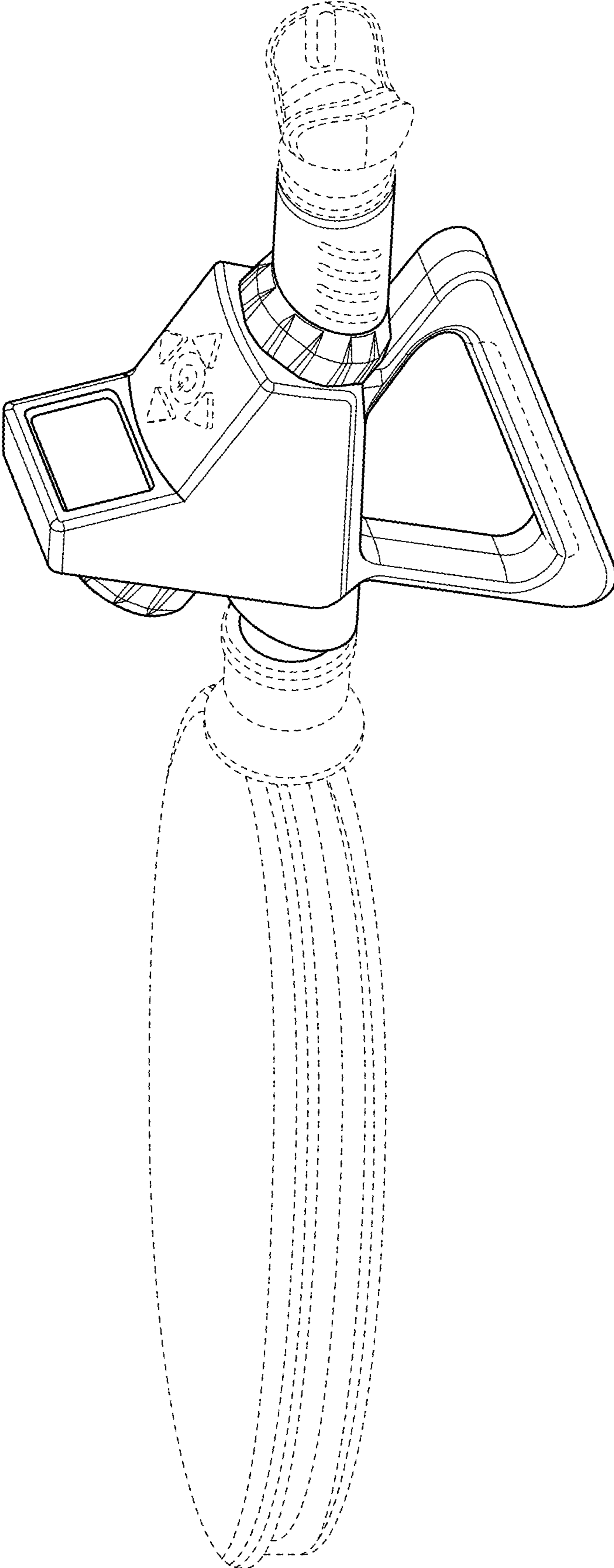


FIG. 1

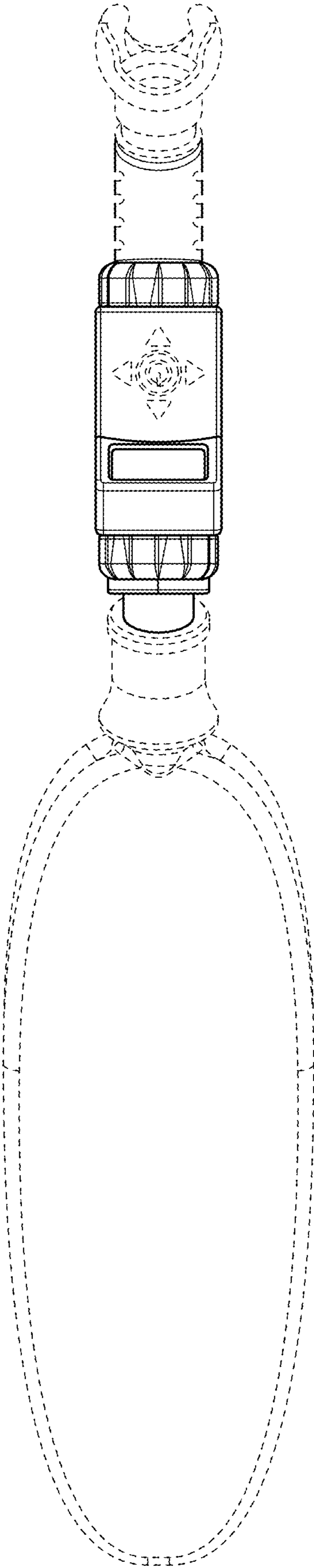


FIG. 2

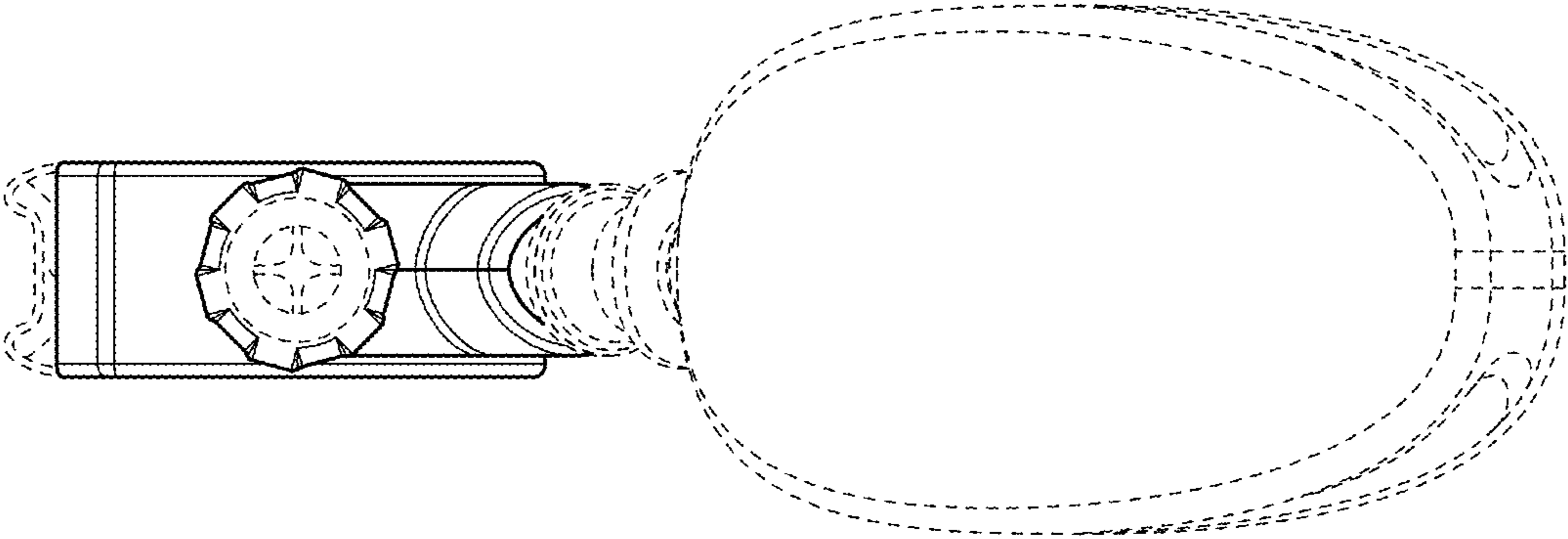


FIG. 3

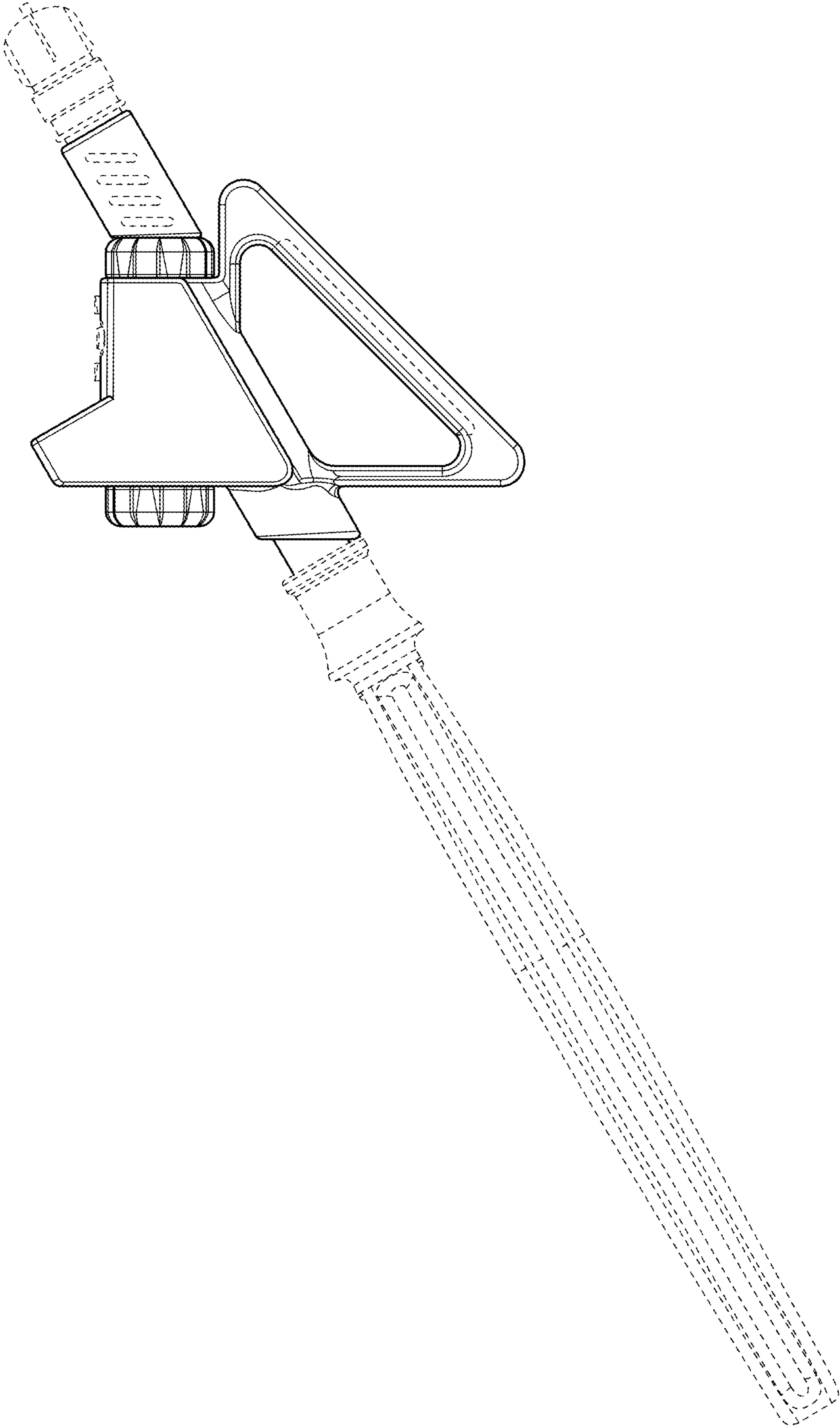


FIG. 4

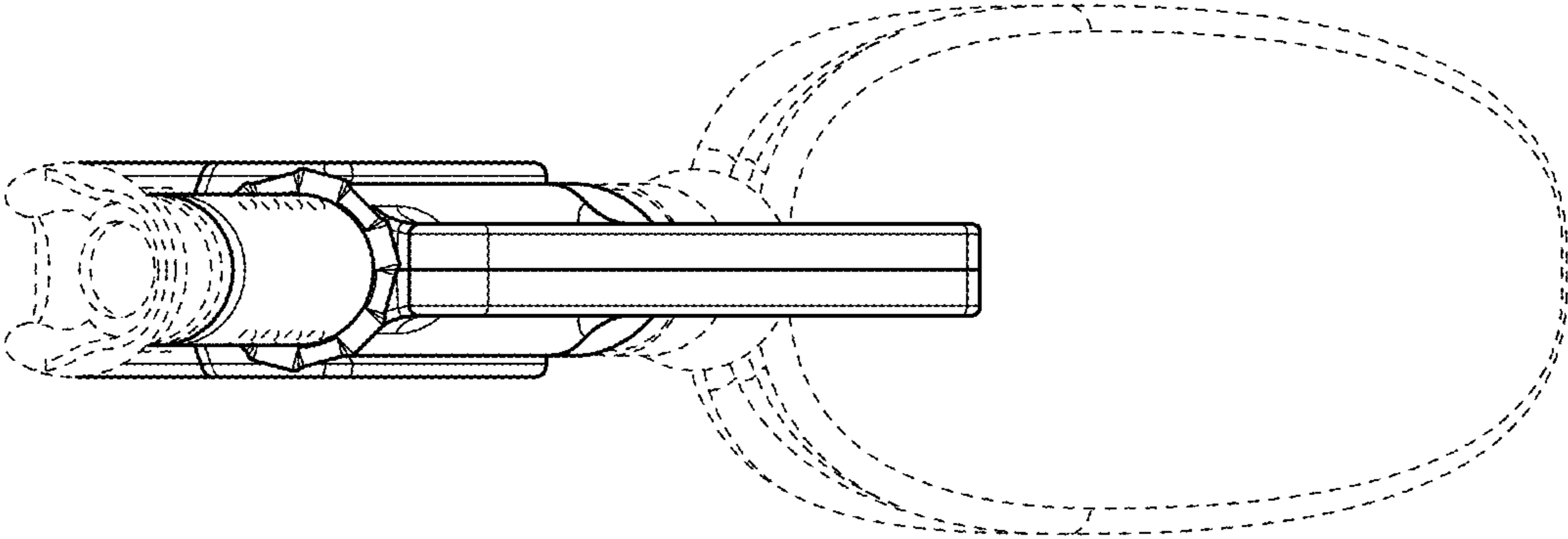


FIG. 5

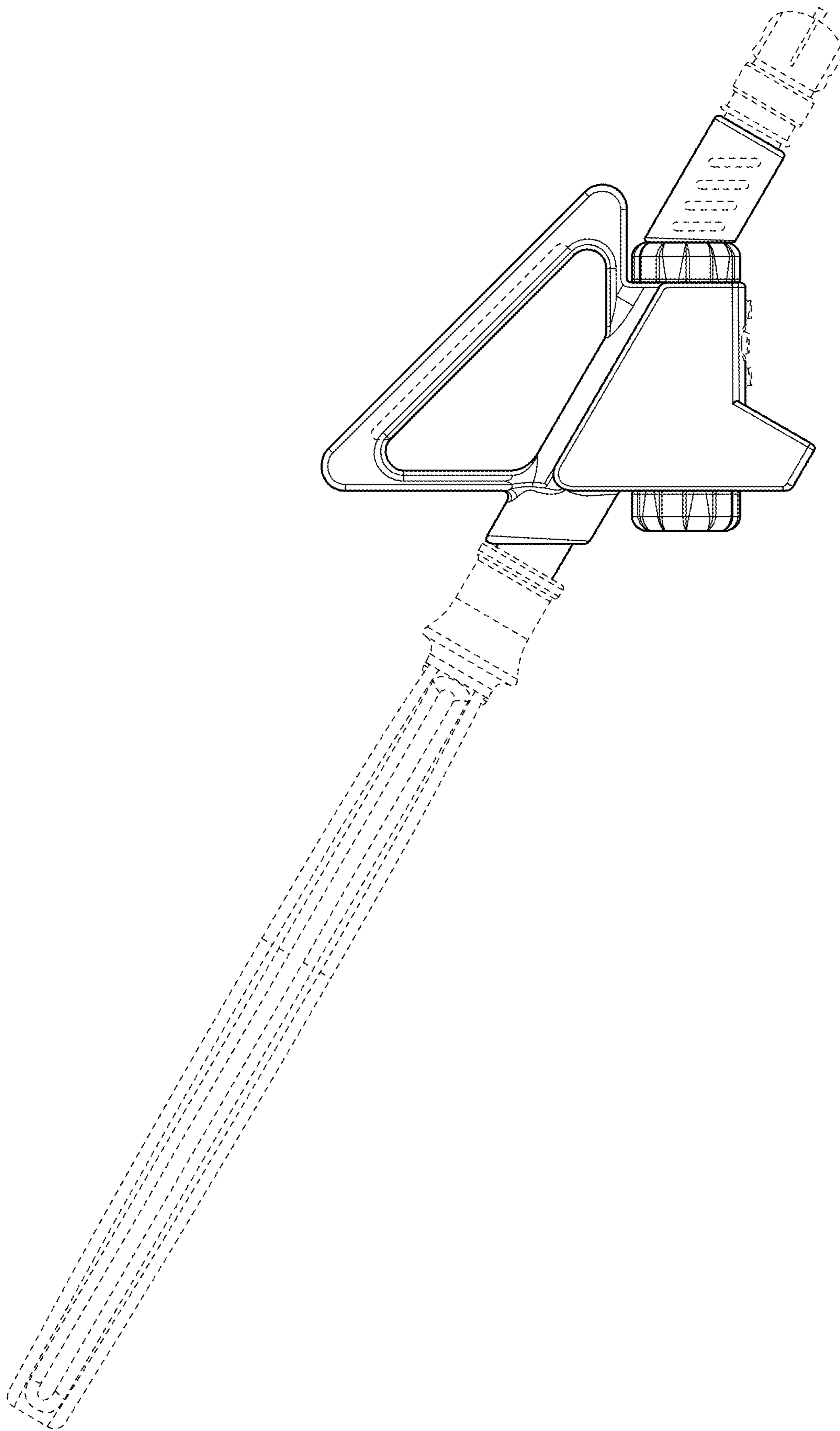


FIG. 6

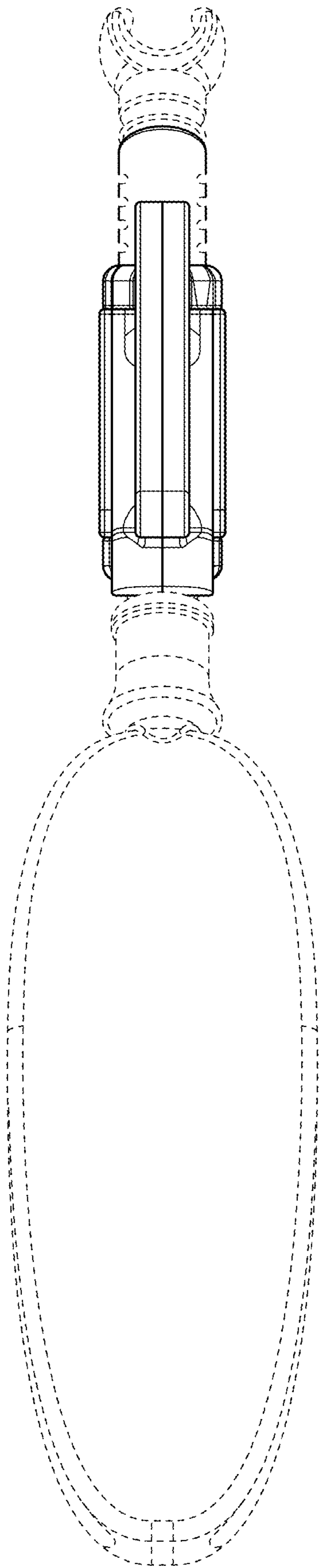


FIG. 7