



US00D949321S

(12) **United States Design Patent** (10) **Patent No.:** **US D949,321 S**  
**Aidehag** (45) **Date of Patent:** **\*\* Apr. 19, 2022**

(54) **HOUSING FOR AN ADD-ON SENSOR FOR AN INHALER**

(71) Applicant: **NuvoAir AB**, Stockholm (SE)

(72) Inventor: **Fredrik Aidehag**, Stockholm (SE)

(73) Assignee: **NuvoAir AB**, Stockholm (SE)

(\*\*) Term: **15 Years**

(21) Appl. No.: **29/652,167**

(22) Filed: **May 29, 2020**

(51) **LOC (13) Cl.** ..... **24-04**

(52) **U.S. Cl.**  
USPC ..... **D24/110**

(58) **Field of Classification Search**

USPC ..... D24/110, 113, 107, 108, 127, 164, 165,  
D24/169, 185, 231, 232; D9/434;  
D7/300, 300.2, 303; 16/420  
CPC ..... A61M 15/008; A61M 11/00; A61M  
15/0065; A61M 15/0068; A61M 15/00;  
A61M 15/0071

See application file for complete search history.

(56) **References Cited**

**U.S. PATENT DOCUMENTS**

2,177,554 A \* 10/1939 Stiff ..... A47B 95/02  
16/420  
D181,337 S \* 11/1957 Beall ..... D9/447  
3,191,215 A \* 6/1965 Watt, Jr. .... A47B 95/02  
16/420  
D318,427 S \* 7/1991 Sherburne, Jr. .... D9/436  
D319,980 S \* 9/1991 Garner ..... D9/447

(Continued)

**FOREIGN PATENT DOCUMENTS**

JP D1609744 \* 7/2018  
WO D208875-001 \* 7/2020

**OTHER PUBLICATIONS**

[NuvoAir Inhaler], production-partners.com, [online], [site visited Aug. 30, 2021], Internet URL: <https://www.production-partners.com/nuvoair-inhaler> (Year: 2021).\*

(Continued)

*Primary Examiner* — T Chase Nelson

*Assistant Examiner* — Amanda J Berlinski

(74) *Attorney, Agent, or Firm* — Brake Hughes  
Bellermann LLP

(57) **CLAIM**

The ornamental design for a housing for an add-on sensor for an inhaler, as shown and described.

**DESCRIPTION**

FIG. 1 is a top perspective view of a housing for an add-on sensor for an inhaler;

FIG. 2 is a bottom perspective view of a housing for an add-on sensor for an inhaler;

FIG. 3 is a top view of a housing for an add-on sensor for an inhaler;

FIG. 4 is a front view of a housing for an add-on sensor for an inhaler;

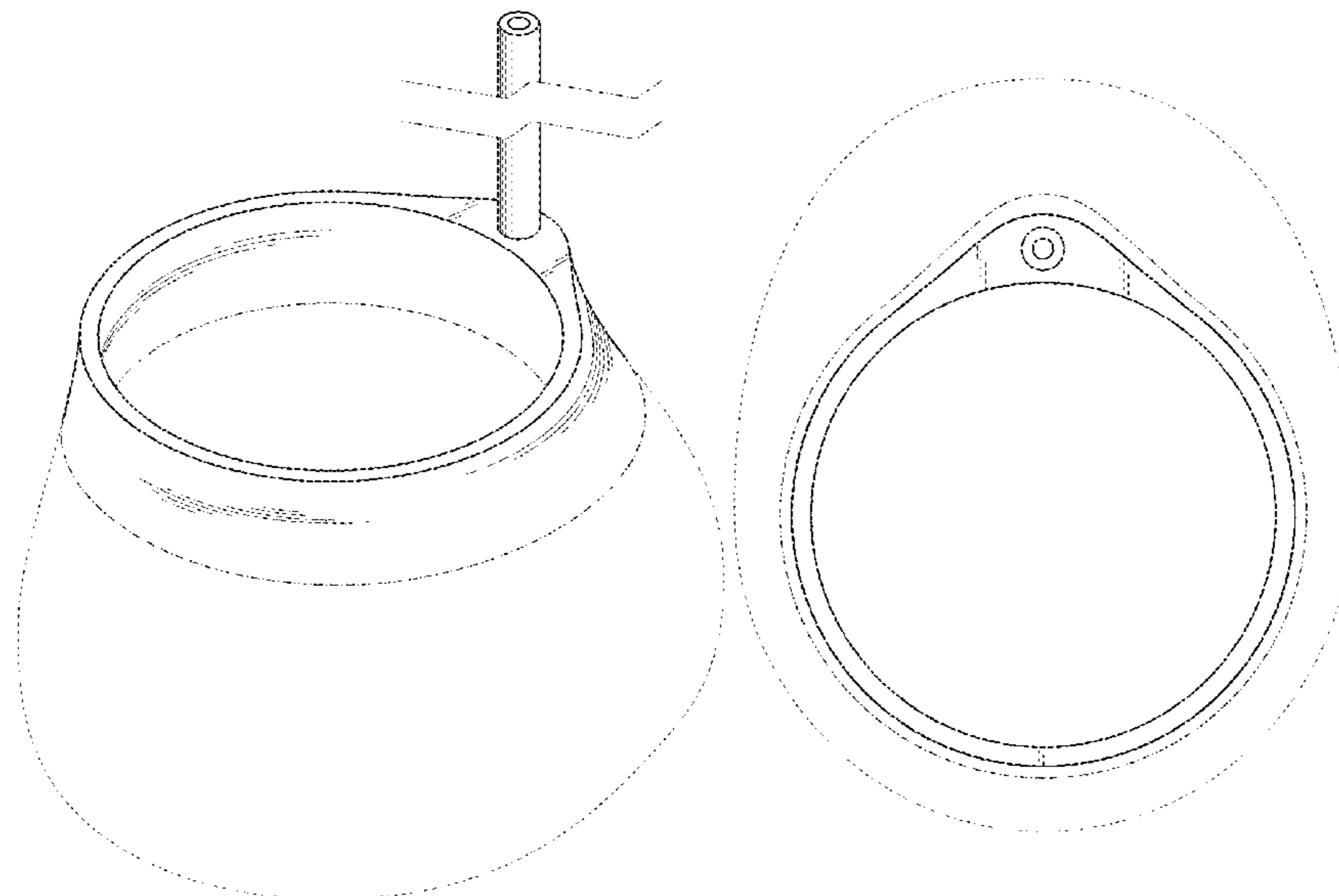
FIG. 5 is a side view of a housing for an add-on sensor for an inhaler;

FIG. 6 is a back view of a housing for an add-on sensor for an inhaler; and,

FIG. 7 is a bottom view of a housing for an add-on sensor for an inhaler.

The broken lines in the drawings are for the purpose of illustrating portions that form no part of the claimed design. The dot-dash lines immediately adjacent to the shaded area define the bounds of the claimed design and form no part thereof. The tubular member is shown with break lines in its length, and any portions not shown between the break lines form no part of the claimed design.

**1 Claim, 7 Drawing Sheets**



(56)

References Cited

U.S. PATENT DOCUMENTS

D341,883 S \* 11/1993 Jones ..... D24/127  
 5,505,192 A \* 4/1996 Samiotes ..... A61M 15/009  
 128/200.14  
 D390,111 S \* 2/1998 McCarrick ..... D10/103  
 6,394,302 B1 \* 5/2002 Query, Jr. .... A47G 19/2272  
 220/707  
 D476,413 S \* 6/2003 Pearce, Jr. .... D24/110  
 D559,994 S \* 1/2008 Nagakubo ..... D24/232  
 D573,017 S \* 7/2008 Henderson ..... D9/436  
 D658,980 S \* 5/2012 Chapin ..... D9/434  
 D711,229 S \* 8/2014 George ..... D9/440  
 D731,240 S \* 6/2015 Bell ..... D7/392.1  
 D768,635 S \* 10/2016 Due ..... D14/432  
 D771,800 S \* 11/2016 Engelhard ..... D24/110  
 D782,245 S \* 3/2017 Ellsworth ..... D7/392.1  
 D808,802 S \* 1/2018 Seiders ..... D9/440  
 D815,890 S \* 4/2018 Boroski ..... D7/392.1  
 D831,191 S \* 10/2018 Hubanks ..... D24/110  
 D834,414 S \* 11/2018 Moore ..... D9/449  
 D835,260 S \* 12/2018 Lisberg ..... D24/110  
 D839,421 S \* 1/2019 Baldauf ..... D24/127  
 D903,409 S \* 12/2020 Yeung ..... D7/392.1  
 D910,259 S \* 2/2021 Stack ..... D32/54  
 D915,197 S \* 4/2021 Katano ..... D9/448  
 D925,118 S \* 7/2021 Kim ..... D27/194  
 2002/0047021 A1 \* 4/2002 Blacker ..... G06M 1/041  
 222/23  
 2007/0107721 A1 \* 5/2007 Olsson ..... A61M 15/00  
 128/200.23  
 2007/0295329 A1 \* 12/2007 Lieberman ..... A61M 15/008  
 128/200.23  
 2011/0006129 A1 \* 1/2011 Yeates ..... B05B 7/065  
 239/8  
 2011/0247624 A1 \* 10/2011 Von Hollen ..... A61M 16/209  
 128/205.23

2015/0020806 A1 \* 1/2015 Galluppi ..... A61K 9/0075  
 128/203.15  
 2019/0224426 A1 \* 7/2019 Farina ..... A61M 15/008  
 2021/0046256 A1 \* 2/2021 Hoffman ..... A61M 39/10

OTHER PUBLICATIONS

[FindAir Smart Asthma Solutions], available in web.archive.org, announced May 21, 2017 [online], [site visited Aug. 31, 2021], Internet URL: <<https://web.archive.org/web/20170521164400/http://findair.pl/en/>> (Year: 2017).\*

[Doser ‘MDI Usage Watch’ from PuffMinder.com Inhaler Counter and 30-Day History Log for your MDI (Metered Dose Inhaler)], available in web.archive.org, announced Aug. 15, 2014 [online], [site visited Aug. 31, 2021], Internet URL: <<http://web.archive.org/web/20140805015006/http://www.epill.com/doser.html>> (Year: 2014).\*

[Our Solutions—Propeller Health], web.com, announced [Sep. 14, 2013], [site visited Aug. 31, 2021], Internet URL: <<https://web.archive.org/web/20130914223703/http://propellerhealth.com/solutions/>> (Year: 2013).\*

[Asthmapolis secures FDA clearance for inhaler sensor], mobihealthnews.com, by Brian Dolan, Jul. 11, 2012 [online], [site visited Aug. 31, 2021], Internet URL: <<https://www.mobihealthnews.com/17852/asthmapolis-secures-fda-clearance-for-inhaler-sensor>> (Year: 2012).\*

[FDA clears Adherium’s third inhaler sensor, for AstraZeneca’s Symbicort inhaler], mobihealthnews.com, By Jeff Lagasse, Sep. 1, 2017 [online], [site visited Aug. 31, 2021], Internet URL: <<https://www.mobihealthnews.com/content/fda-clears-adheriums-third-inhaler-sensor-astrazenecas-symbicort-inhaler>> (Year: 2017).\*

[We help you do more for your respiratory patients], nuvoair.com, [online], [site visited Sep. 1, 2021], Internet URL: <<https://www.nuvoair.com/for-providers>> (Year: 2021).\*

[Arrow Plastic Sip-A-Bowl 22 oz, Assorted Colors—Pack of 4], Amazon.com, Date First Available: Mar. 9, 2009 [online], [site visited Sep. 1, 2021], Available from the internet URL: <https://www.amazon.com/Arrow-Plastic-Bowl-Assorted-Colors/dp/B00J2CFVEC/> (Year: 2009).\*

\* cited by examiner

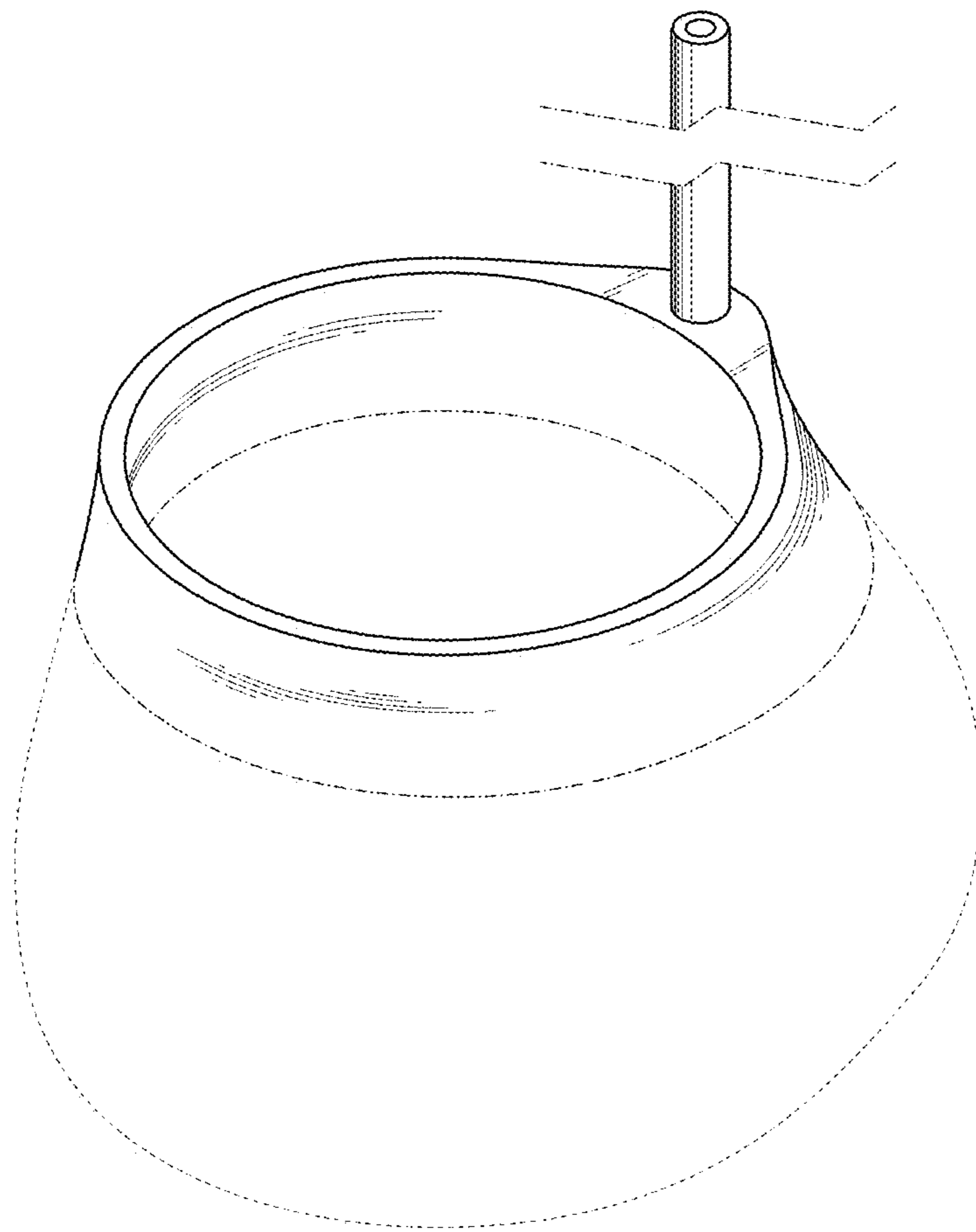


FIG. 1

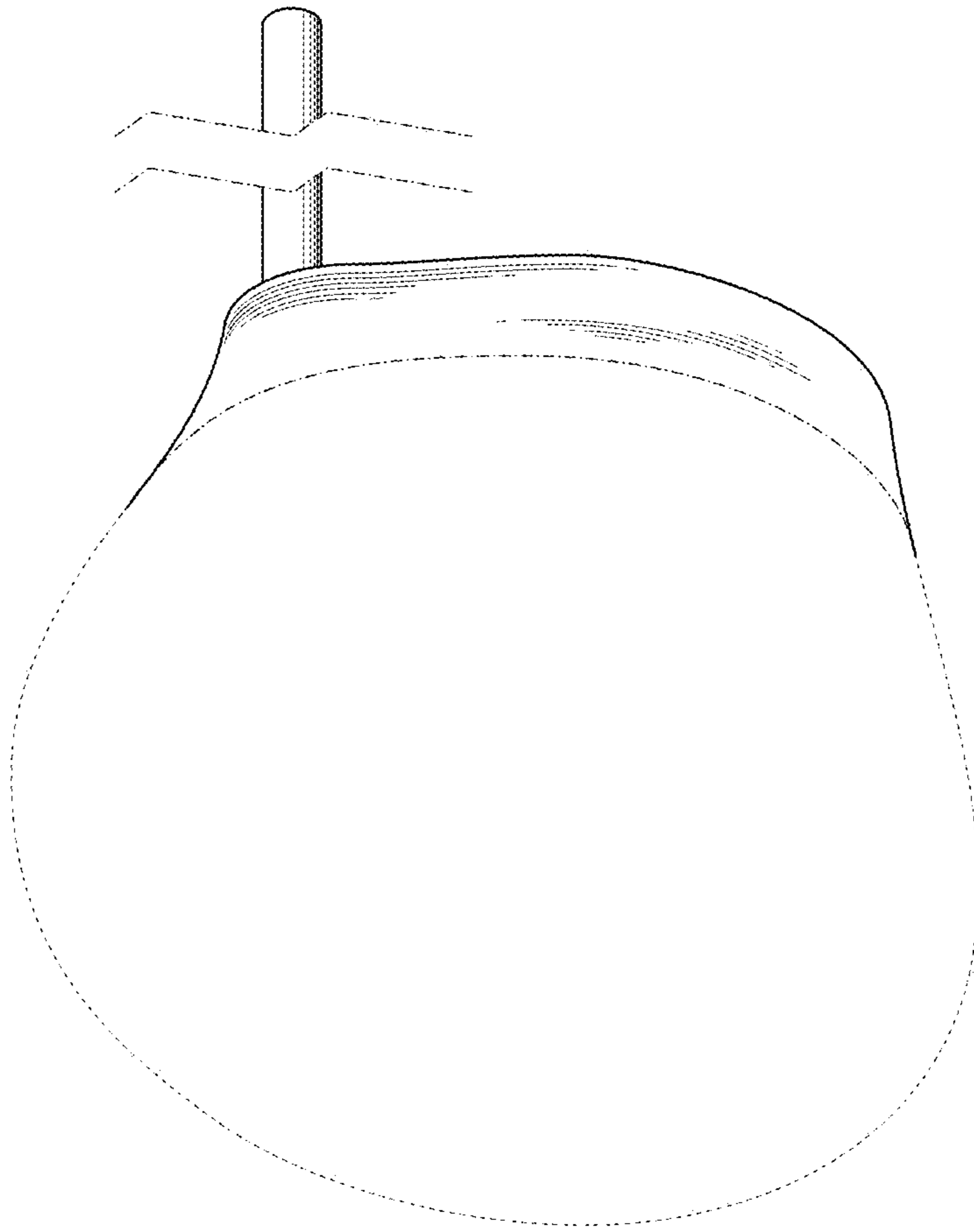


FIG. 2

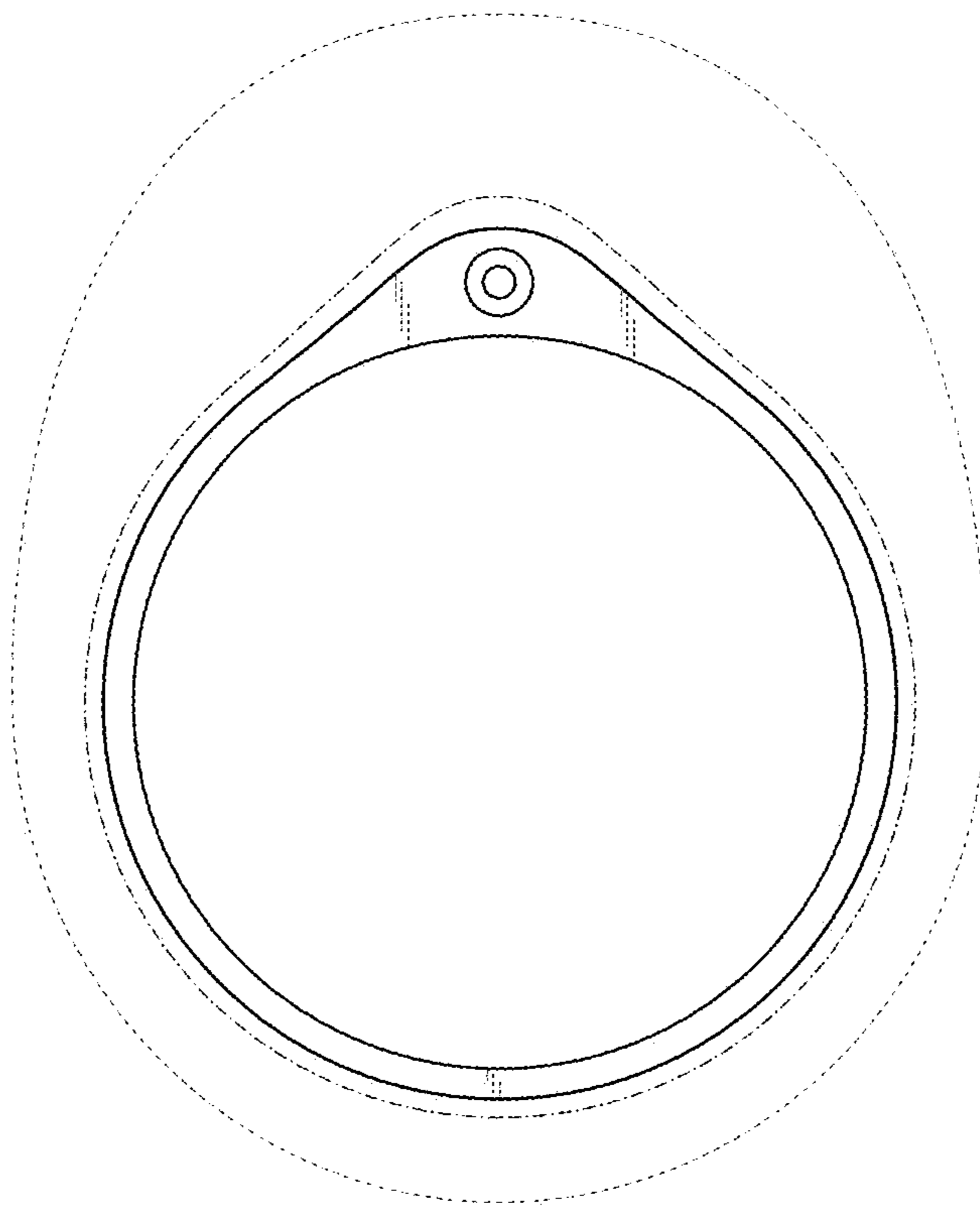


FIG. 3

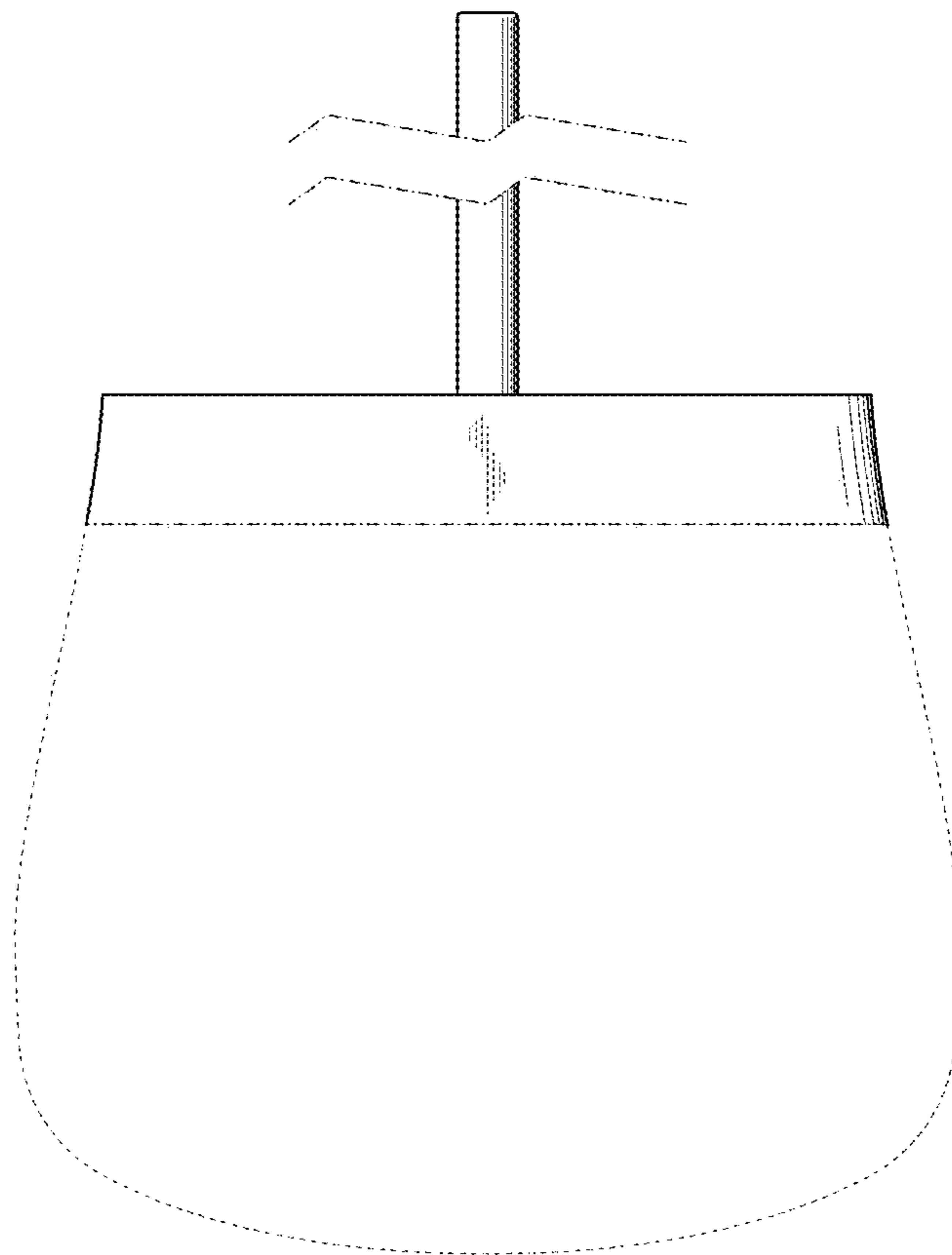


FIG. 4

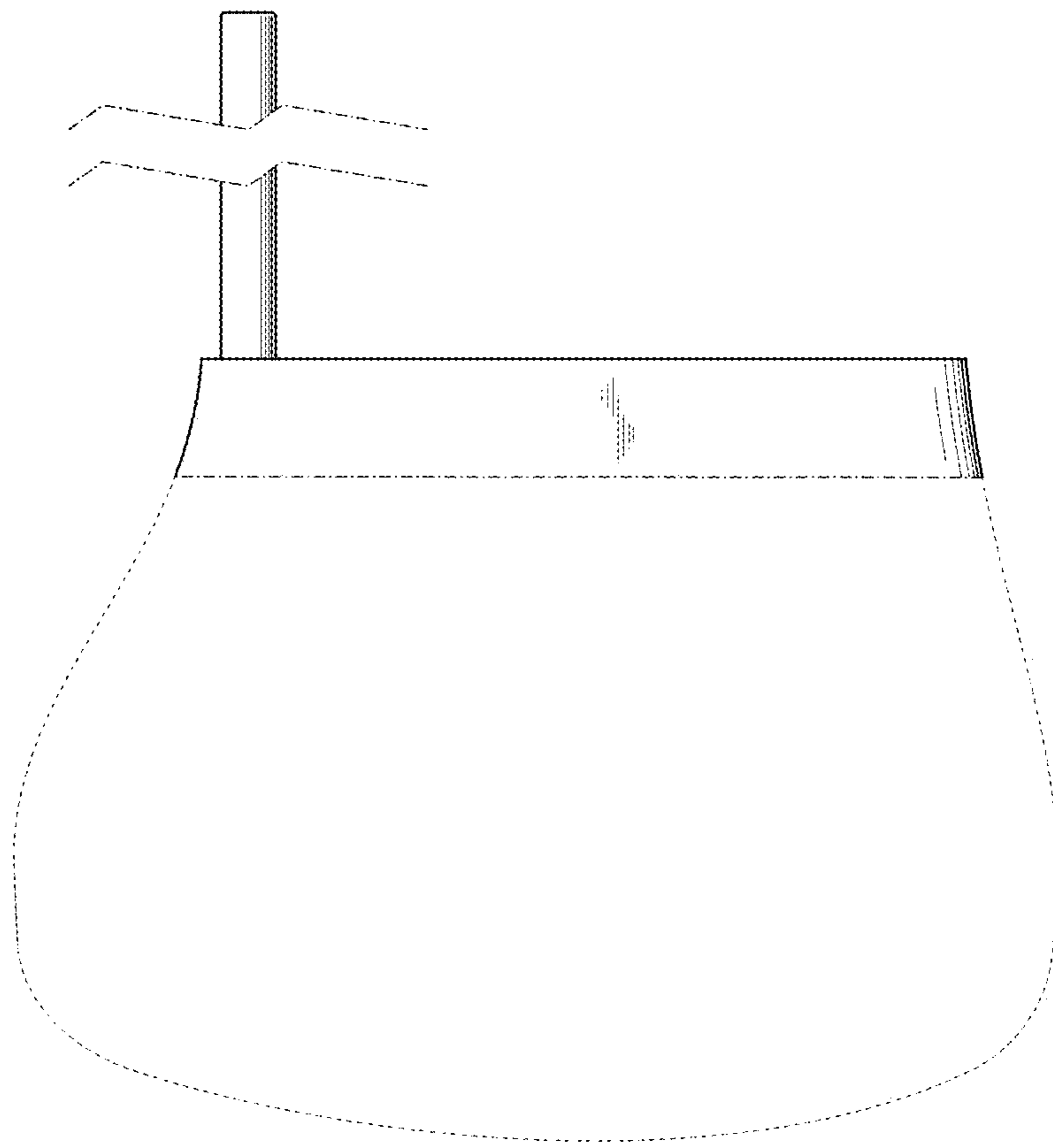


FIG. 5

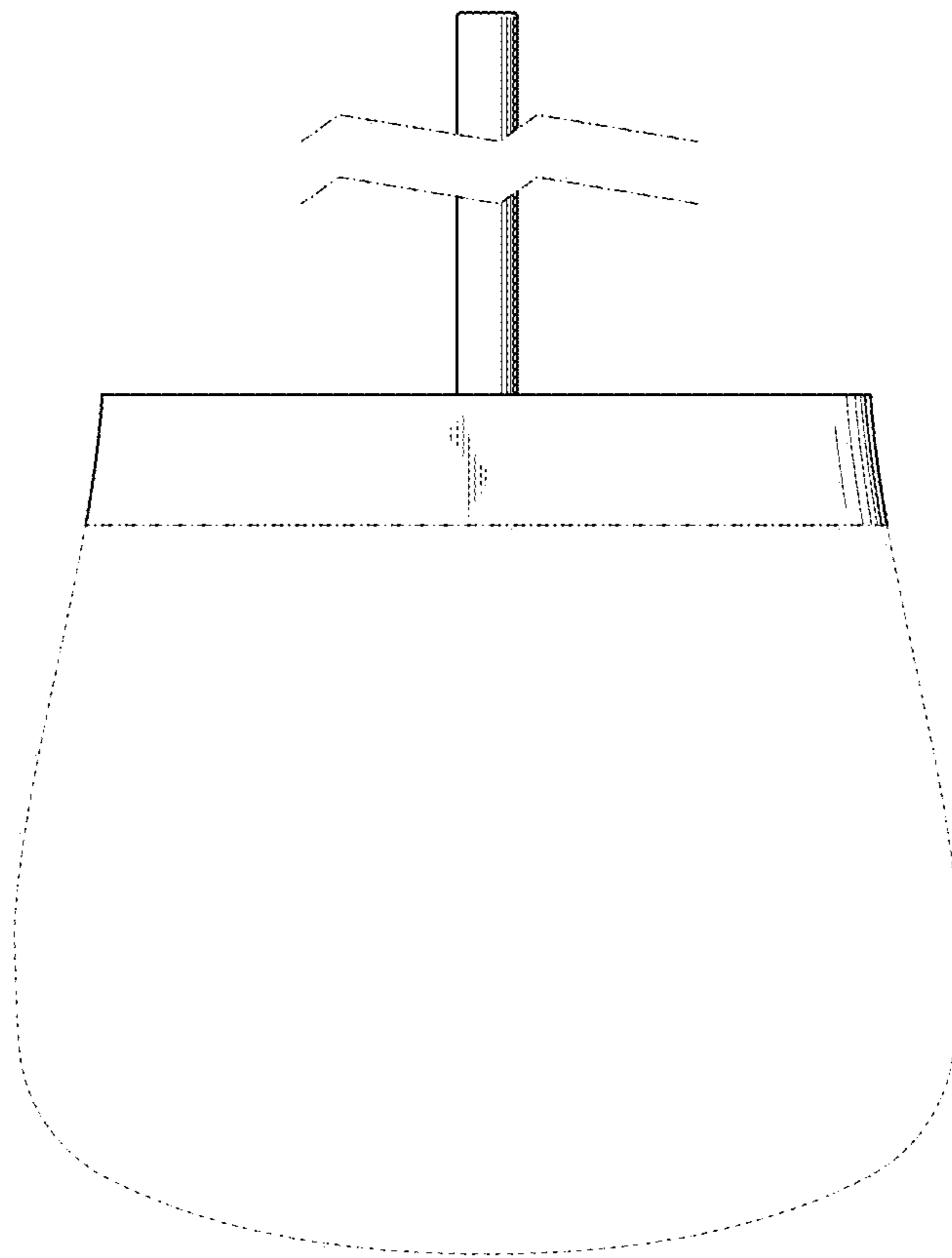
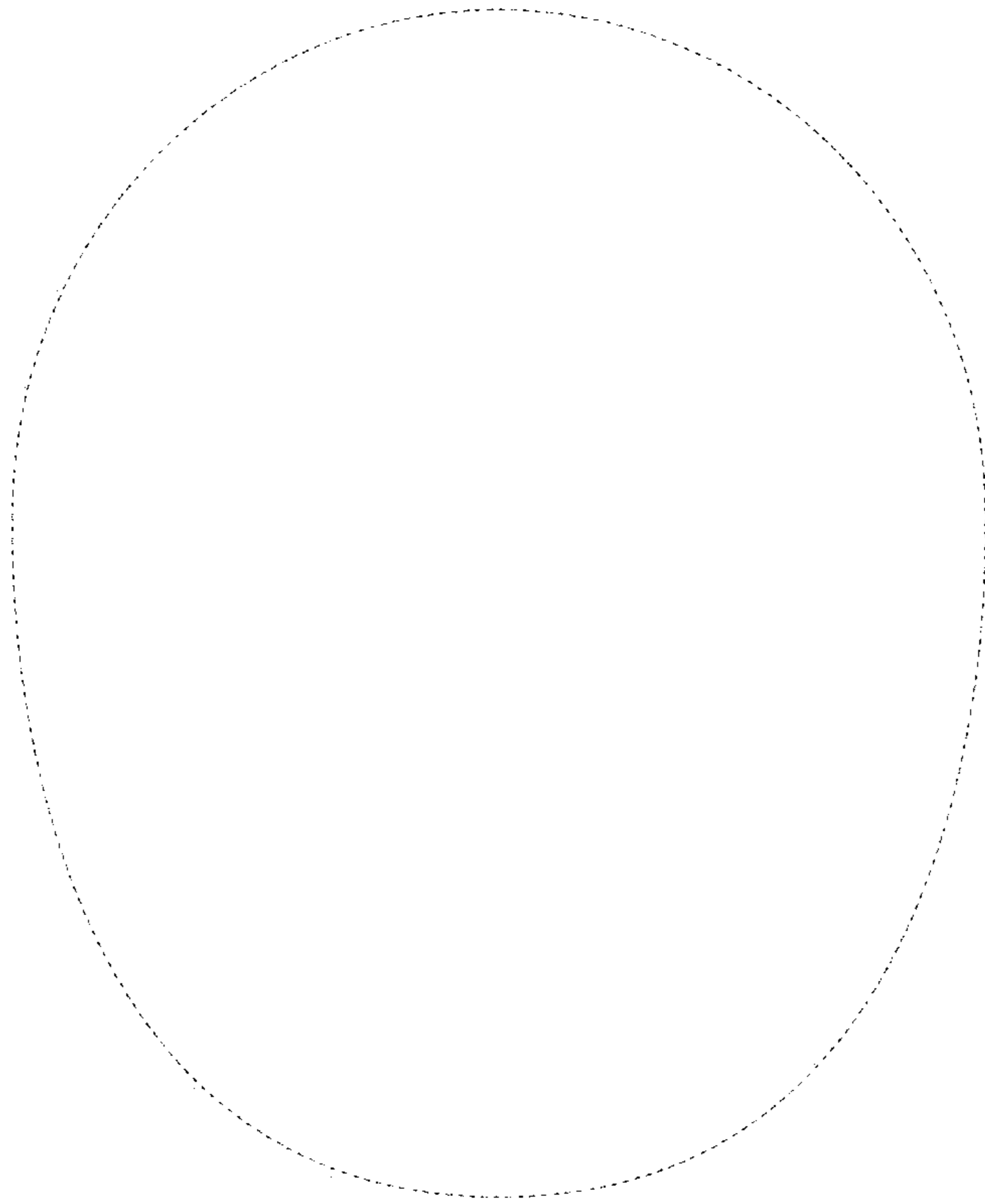


FIG. 6





**FIG. 7**