



US00D949320S

(12) **United States Design Patent** (10) **Patent No.:** **US D949,320 S**
Holmes (45) **Date of Patent:** **** Apr. 19, 2022**

(54) **CEILING FAN BLADE IRON**
(71) Applicant: **HUNTER FAN COMPANY,**
Memphis, TN (US)
(72) Inventor: **Christine Holmes,** Memphis, TN (US)
(73) Assignee: **Hunter Fan Company,** Memphis, TN
(US)

D425,191 S 5/2000 LaSpina
D437,046 S 1/2001 Tsuji
D440,649 S 4/2001 Tsuji
D448,841 S 10/2001 Campbell
D485,344 S 1/2004 Tai
D510,624 S 10/2005 Graham
D517,202 S 3/2006 Tai
D517,231 S 3/2006 Pickett
D524,439 S 7/2006 Tai

(Continued)

(**) Term: **15 Years**
(21) Appl. No.: **29/730,561**
(22) Filed: **Apr. 6, 2020**

OTHER PUBLICATIONS

http://www.cens.com/cens/html/en/product/product_main_77129.html, CENS Aquarius-champagne light series, Air Cool Industrial Co., LTD., Model No. AC413, accessed Mar. 20, 2017.

(Continued)

Related U.S. Application Data

(62) Division of application No. 29/624,318, filed on Oct. 31, 2017, now Pat. No. Des. 884,145.
(51) **LOC (13) Cl.** **23-03**
(52) **U.S. Cl.**
USPC **D23/411**
(58) **Field of Classification Search**
USPC D23/370, 377, 379, 385, 411-414;
D8/349, 354
CPC F04D 25/088; F04D 29/38; F04D 29/384;
F04D 29/386; F04D 29/34
See application file for complete search history.

Primary Examiner — Sharon S Oum
(74) *Attorney, Agent, or Firm* — McGarry Bair PC

(57) **CLAIM**

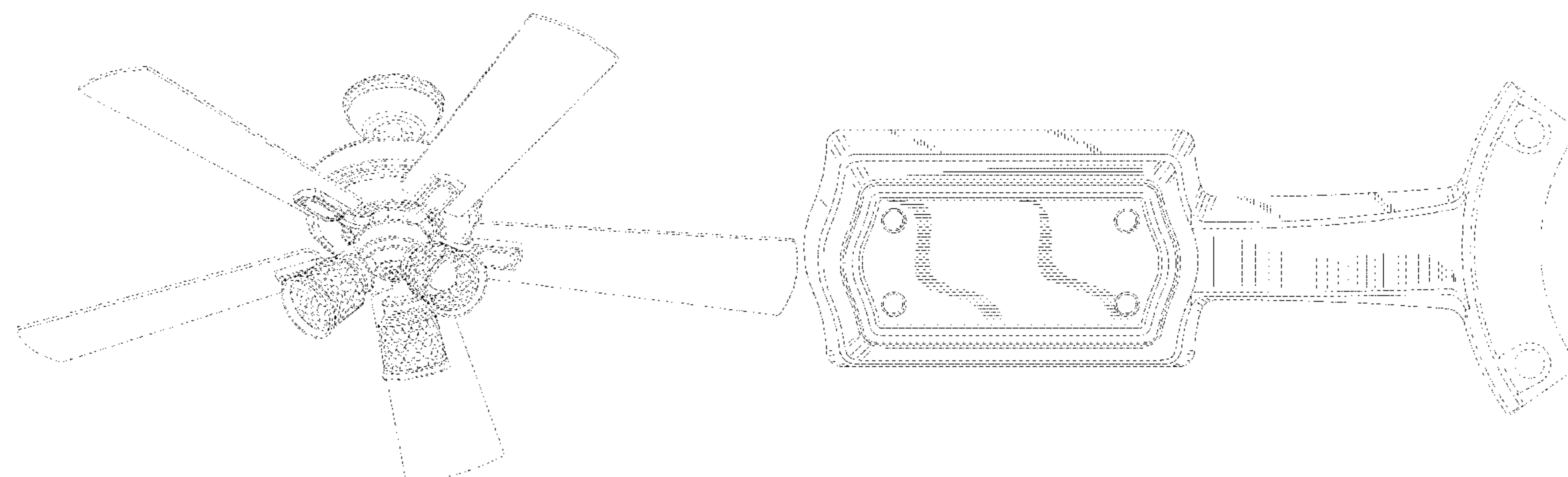
The ornamental design for a ceiling fan blade iron, as shown and described.

DESCRIPTION

FIG. 1 is a bottom perspective view of a ceiling fan blade iron shown in the environment of a ceiling fan, showing my new design;
FIG. 2 is a top perspective view of the blade iron of FIG. 1, having the ceiling fan environment removed;
FIG. 3 is a left side view thereof;
FIG. 4 is a right side view thereof;
FIG. 5 is a top view thereof;
FIG. 6 is a bottom view thereof;
FIG. 7 is a rear view thereof; and,
FIG. 8 is a front view thereof.
The broken lines illustrate portions of the ceiling fan blade iron and ceiling fan environment that form no part of the claimed design.

1 Claim, 6 Drawing Sheets

(56) **References Cited**
U.S. PATENT DOCUMENTS
D329,494 S 9/1992 Holbrook
D339,202 S 9/1993 Holbrook
D355,028 S 1/1995 Tsuji
D369,405 S 4/1996 Holbrook
D374,925 S 10/1996 Jasper-Fayer
D397,416 S 8/1998 Lee
D407,814 S 4/1999 Lin
D408,517 S 4/1999 LaSpina
D416,616 S 11/1999 LaSpina
D424,679 S 5/2000 LaSpina



(56)

References Cited

U.S. PATENT DOCUMENTS

D526,715	S	8/2006	Glasbrenner	
D531,297	S	10/2006	Ertze	
D532,104	S	11/2006	Pickett	
D568,983	S	5/2008	Pan	
D574,945	S	8/2008	Hidalgo	
D584,396	S	1/2009	Bucher et al.	
D599,469	S	9/2009	Yang	
D627,046	S	11/2010	Wang	
D627,054	S	11/2010	Pan	
D627,870	S	11/2010	Wang	
D671,202	S	11/2012	Searle	
D705,922	S	5/2014	Wang	
D706,919	S	6/2014	Wang	
D707,344	S	6/2014	Wang	
D744,081	S	11/2015	Wang	
D745,655	S	12/2015	Pickett et al.	
D773,636	S	12/2016	Wang	
D778,421	S	2/2017	Hidalgo	
D778,426	S	2/2017	Hidalgo	
D805,626	S	12/2017	Hagggar	
D810,921	S	2/2018	McRoberts	
9,897,095	B2	2/2018	Botkin	
D821,563	S *	6/2018	Holmes	D23/411
D827,805	S	9/2018	Biancuzzo	
D827,806	S	9/2018	Biancuzzo	
D884,145	S *	5/2020	Holmes	D23/377
D904,596	S *	12/2020	Holmes	D23/411
2017/0045197	A1	2/2017	Rossi	
2019/0229536	A1	7/2019	Wang	

OTHER PUBLICATIONS

<http://www.montecarlofans.com/51311/60-Colony-Super-Max--Brushed-Steel-5CSM60BS.html>, Monte Carlo Colony Super Max Collection, Product No. 5CSM60BS, accessed Mar. 20, 2017.

<https://www.lowes.com/pd/Harbor-Breeze-Barnstaple-Bay-52-in-Brushed-Nickel-Downrod-Mount-Indoor-Residential-Ceiling-Fan-with-Light-Kit/50393286>, Harbor Breeze Barnstaple Bay 52-in Brushed Nickel Downrod Mount Indoor Residential Ceiling Fan with Light Kit, Model No. E-RLG52BNK5C, accessed Mar. 20, 2017.

<http://www.homedepot.com/p/Hampton-Bay-Vaugas-44-in-LED-Indoor-Brushed-Nickel-Ceiling-fan-68144/207046702>, Hampton Bay Vaugas 44in. LED Indoor Brushed Nickel Ceiling Fan, Model No. 68144, accessed Mar. 20, 2017.

<http://www.hunterfan.com/Ceiling-Fans/Meridale?ModelNumber=53306>, Hunter Fan Meridale 52" Ceiling Fan, Model No. 53306 Brushed Nickel Finish, accessed Mar. 20, 2017.

<http://www.hunterfan.com/Ceiling-Fans/Oakhurst?ModelNumber=52016>, Hunter Fan Oakhurst—52" Ceiling Fan, Model No. 52016 New Bronze Finish, accessed Mar. 20, 2017.

<http://www.kingoffans.com/#/products/ceilingFans>, King of Fans Huntington III, Model No. 46007, accessed Mar. 20, 2017.

<http://www.kingoffans.com/#/products/ceilingFans>, King of Fans Accubreeze, Model No. 72196, accessed Mar. 20, 2017.

<http://www.craftmade.com/pro-energy-star-209-ces209abz>, Craftmade Pro Energy Star 209, 52 in. Pro Energy Star 209 Ceiling Fan, Model No. CES209ABZ, accessed Mar. 20, 2017.

<http://ceilingfans.emerson.com/en/shop/fan/fans-s-emerson-fans/fans-s-indoor-outdoor/summer-night-fan-p-cf652>, Emerson Summer Night 52" Ceiling Fan, Sku No. CF6520RD, accessed Oct. 31, 2017.

<http://www.fanimation.com/products/index.php/fans/aire-decor-bp230.html>, Fanimation Aire Decor, Model No. BP230, accessed Oct. 31, 2017.

<http://www.hunterfan.com/Ceiling-Fans/Sea-Wind?ModelNumber=53351>, Hunter Fan Sea Wind Collection, 48" Ceiling Fan, Model No. 53351, accessed Oct. 31, 2017.

<http://www.minkagroup.net/all-collections?keys=F588-SP>, MinkaAire 54" 5 Blades in Oil Rubbed Bronze Finish, Model No. F588-SP-ORB, accessed Oct. 31, 2017.

<http://www.minkagroup.net/products/f648-orbex>, MinkaAire 52" 5 Blades in Oil Rubbed Bronze finish w/Medium Maple Blades/Tea Stained Glass, Model No. F647-ORB/TS, accessed Oct. 31, 2017.

<http://www.kingoffans.com/#/products/ceilingFans>, Item Specification for King of Fans Woodland, Model No. 30475, accessed Jan. 24, 2018.

<https://www.menards.com/main/lighting-ceiling-fans/ceiling-fans/shop-all-ceiling-fans/turn-of-the-century-reg-eros-42-white-transitional-ceiling-fan/p-1444438436281-c-7488.htm?tid=-6954497153777887856>, Turn of the Century Eros, 42" White Ceiling Fan, Model No. fn42401w, accessed Jan. 24, 2018.

<http://www.fanimation.com/products/index.php/fans/aire-deluxe-44-with-light-kit.html>, Fanimation Aire Deluxe with Light Kit, Model No. FP6245B, accessed Jan. 24, 2018.

<http://www.craftmade.com/Craftmade-PUH52OB-Oiled-Bronze-Flush-Mount-Ceiling-Fan.HTM>, Craftmade Pro Universal Hugger, 52" Ceiling Fan, Model No. PUH52OB, accessed Aug. 2, 2017.

<http://www.kichler.com/products/product/52-inch-carlson-fan-ap-300138ap.aspx>, Kichler Carlson 52 Inch Carlson Fan AP, Model No. 300138AP, accessed Jan. 24, 2018.

<http://www.hunterfan.com/Ceiling-Fans/Estate-Winds?ModelNumber=54165>, Hunter Fan Estate Winds Low Profile with LED Light 56" Ceiling Fan, Item No. 54164, accessed Jan. 24, 2018.

<http://www.minkagroup.net/products/f556-bn>, Minka Group Contactor Plus, 52" Ceiling Fan in Brushed Nickel with Silver Bands, Model No. F556-BN, accessed Jan. 24, 2018.

<http://www.lightingandlocks.com/g6tst.html>, Item Specification for Fanimation, Myfanimation 2-1/4" Glass Piece Tea Stain, Item No. G6TST, accessed Jan. 24, 2018.

<http://www.homedepot.com/p/Hampton-Bay-Lonestar-II-52-in-Natural-Iron-Ceiling-Fan-AL875-BK/203245573>, Hampton Bay Lonestar II, 52 in. Indoor Natural Iron Ceiling Fan with Light Kit, Model No. AL875-BK, accessed Jan. 24, 2018.

<http://www.craftmade.com/builder-deluxe-bld52-c3>, Craftmade Builder Deluxe Ceiling Fan with Blades included. Model No. BLD52-C3, accessed Jan. 24, 2018.

<http://www.minkagroup.net/products/2632>, Minka 2 1/4" Glass shade, Model No. 2632, accessed Jan. 24, 2018.

* cited by examiner

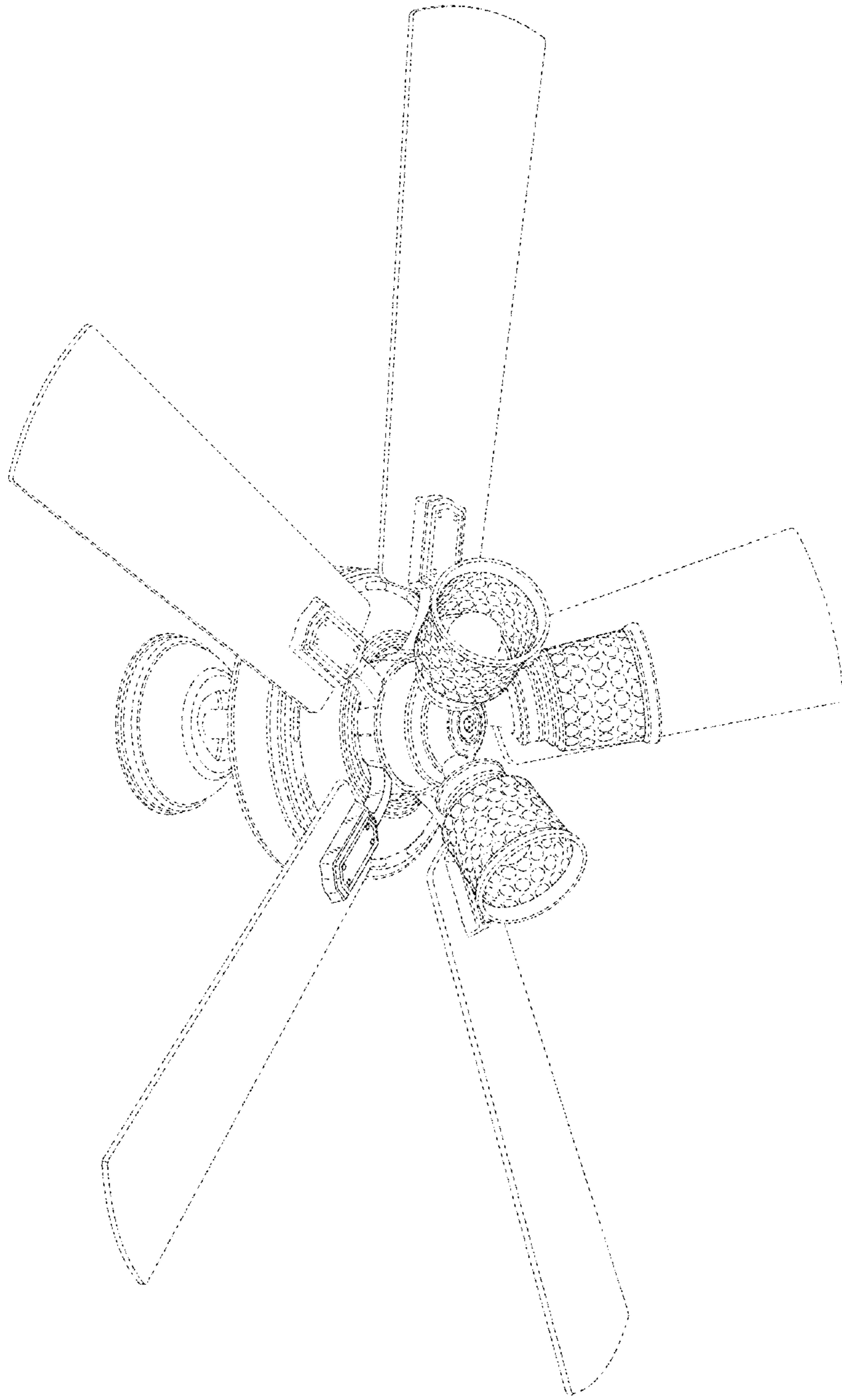


FIG. 1

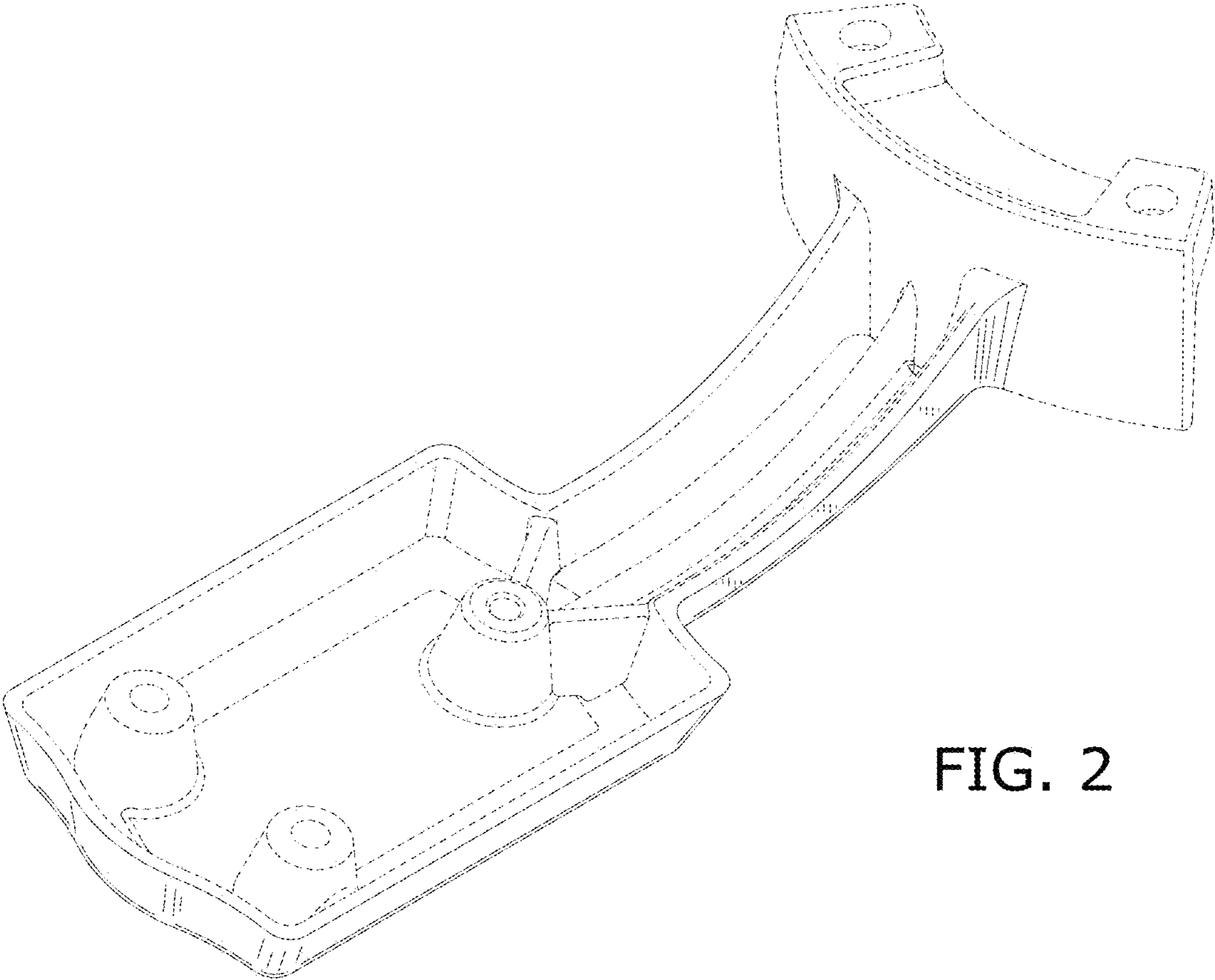


FIG. 2

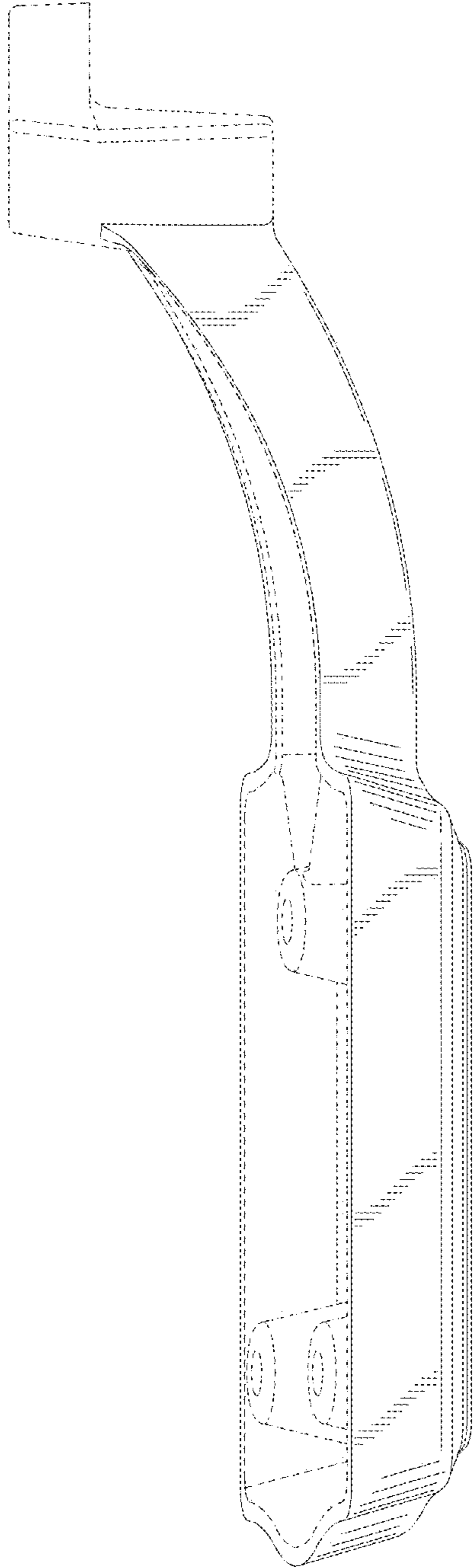


FIG. 3

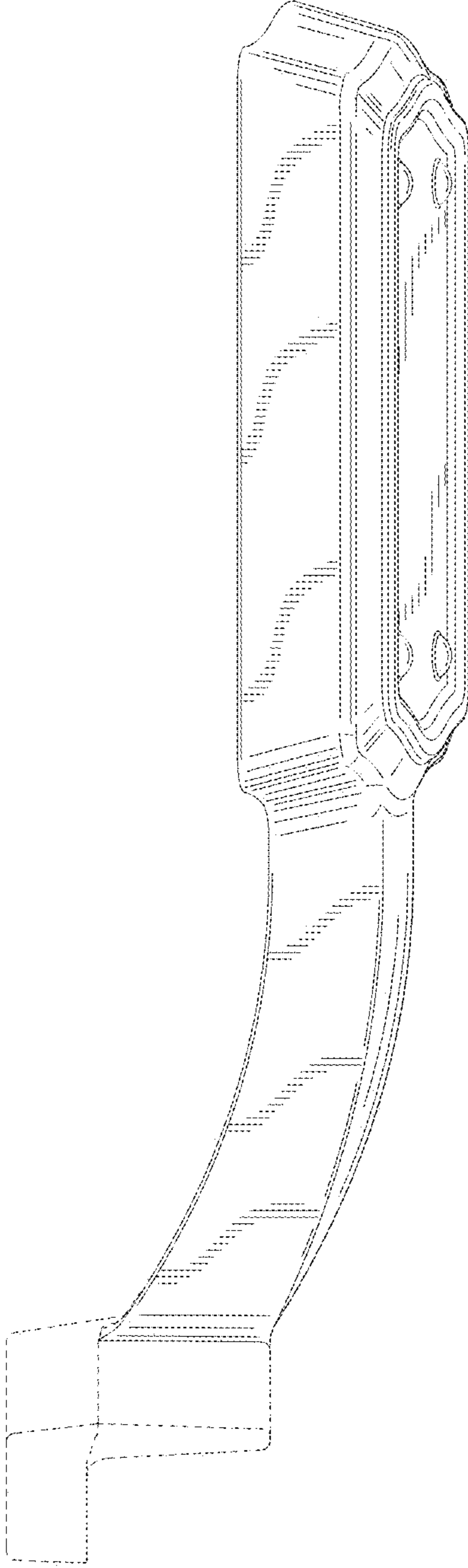


FIG. 4

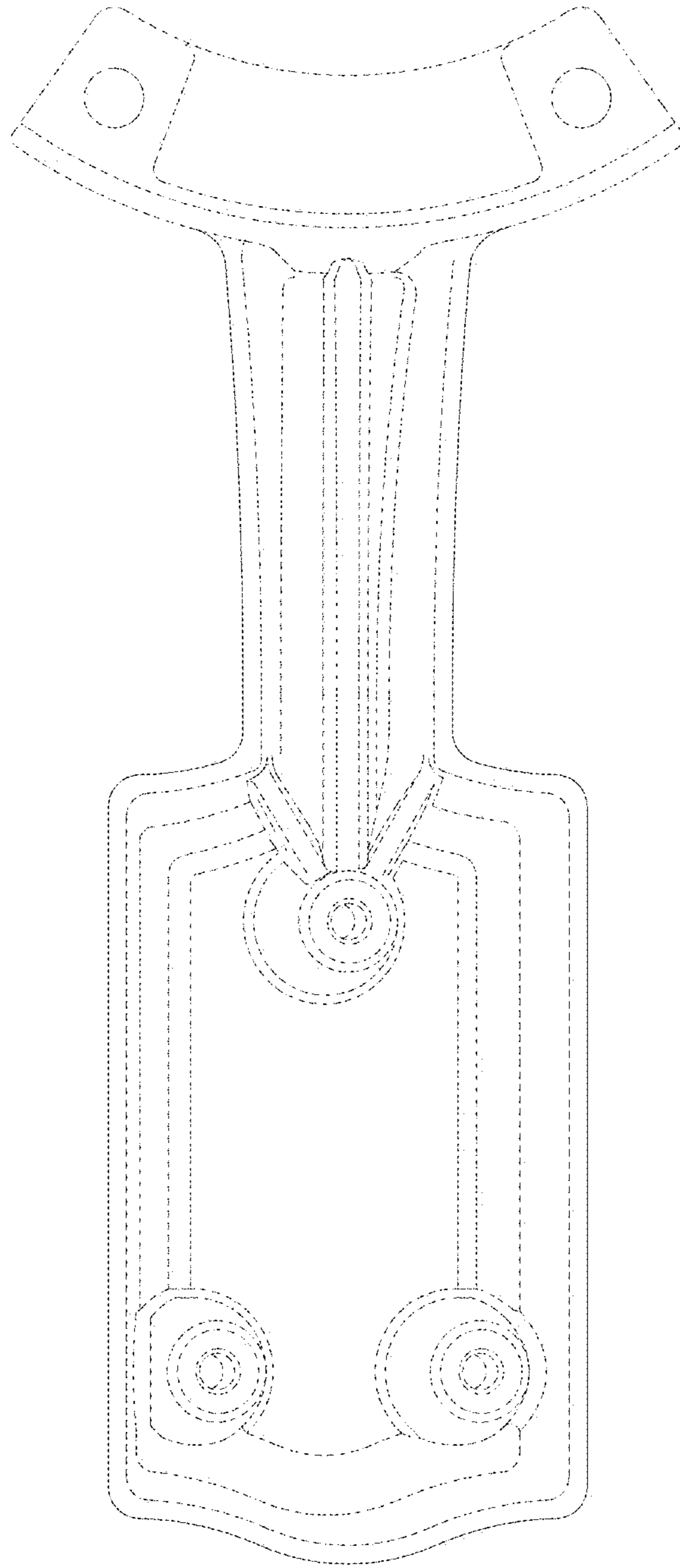


FIG. 5

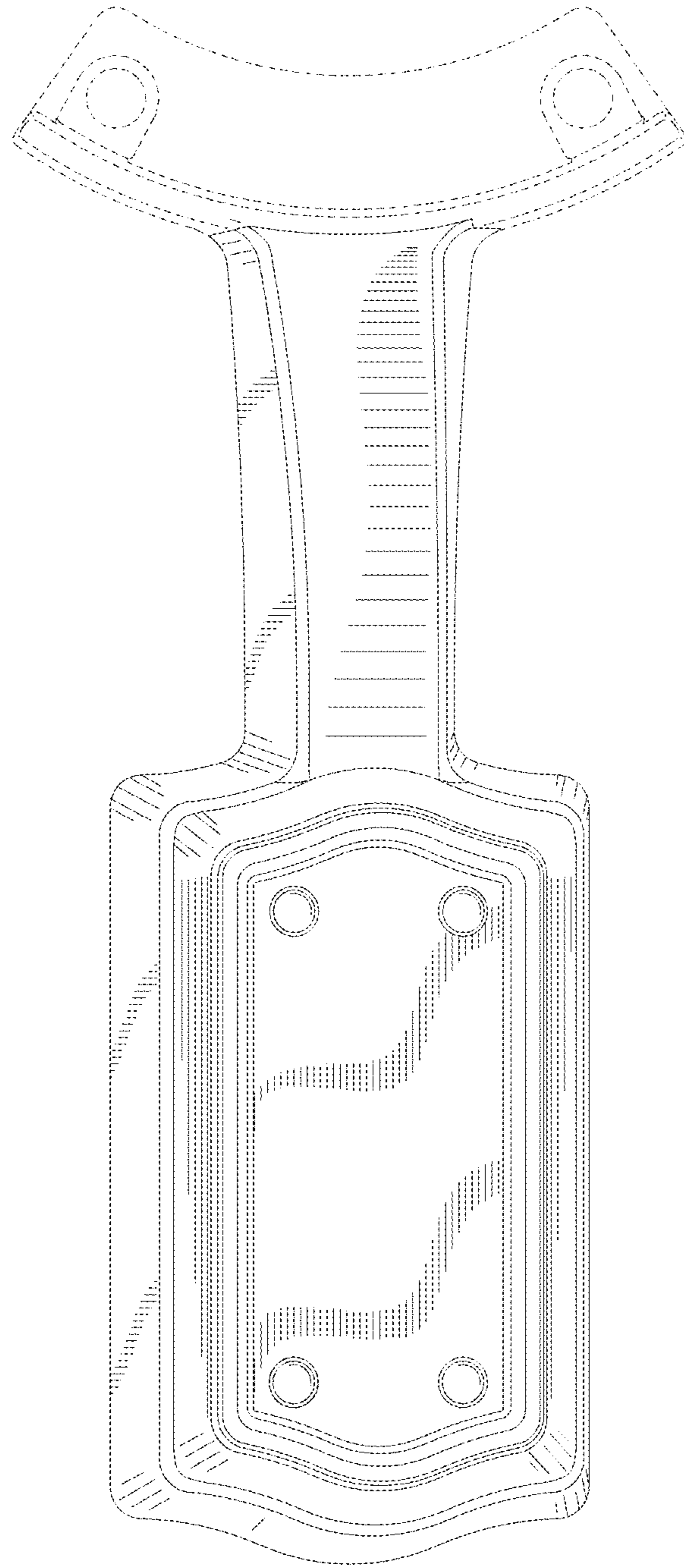


FIG. 6

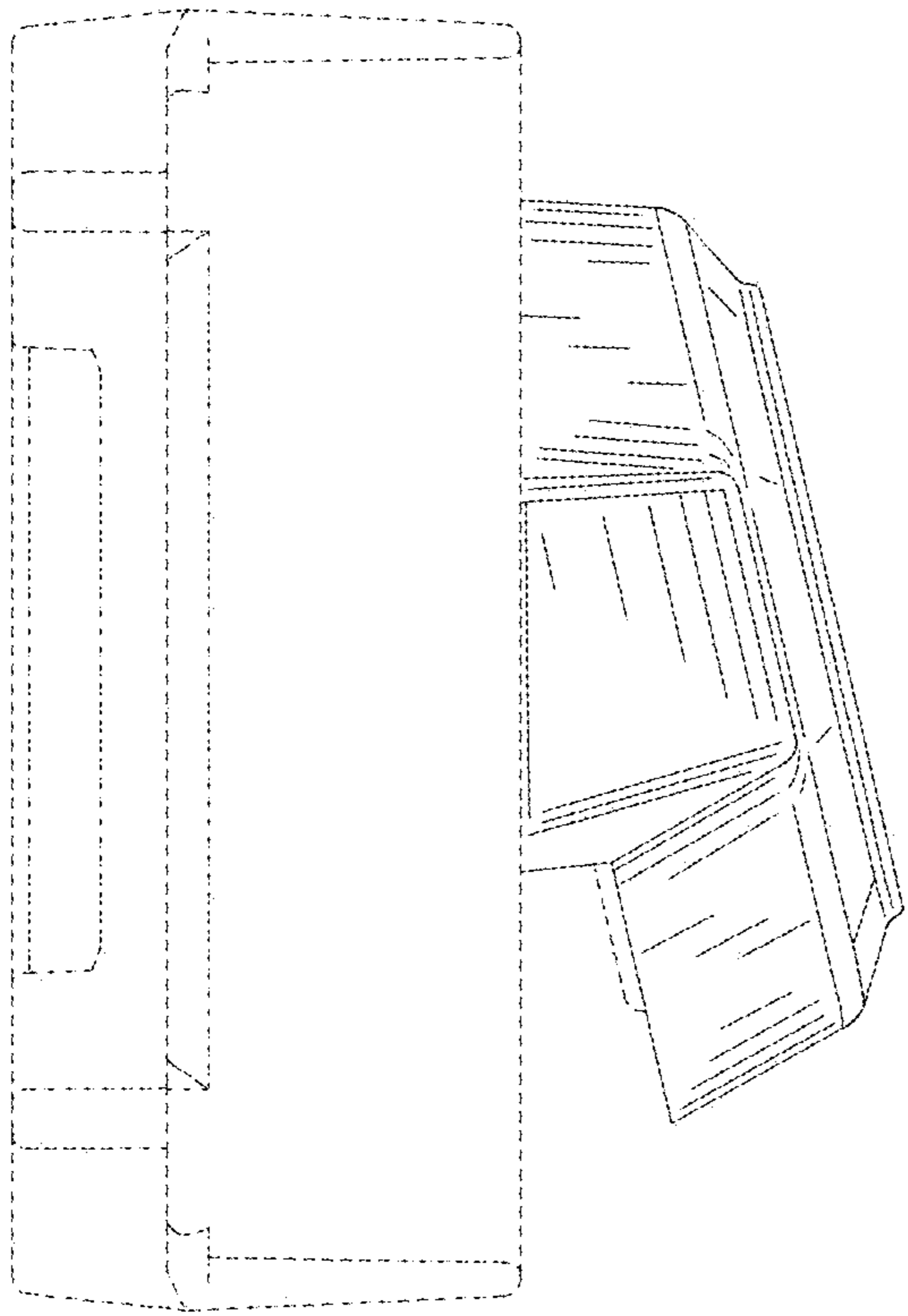


FIG. 7

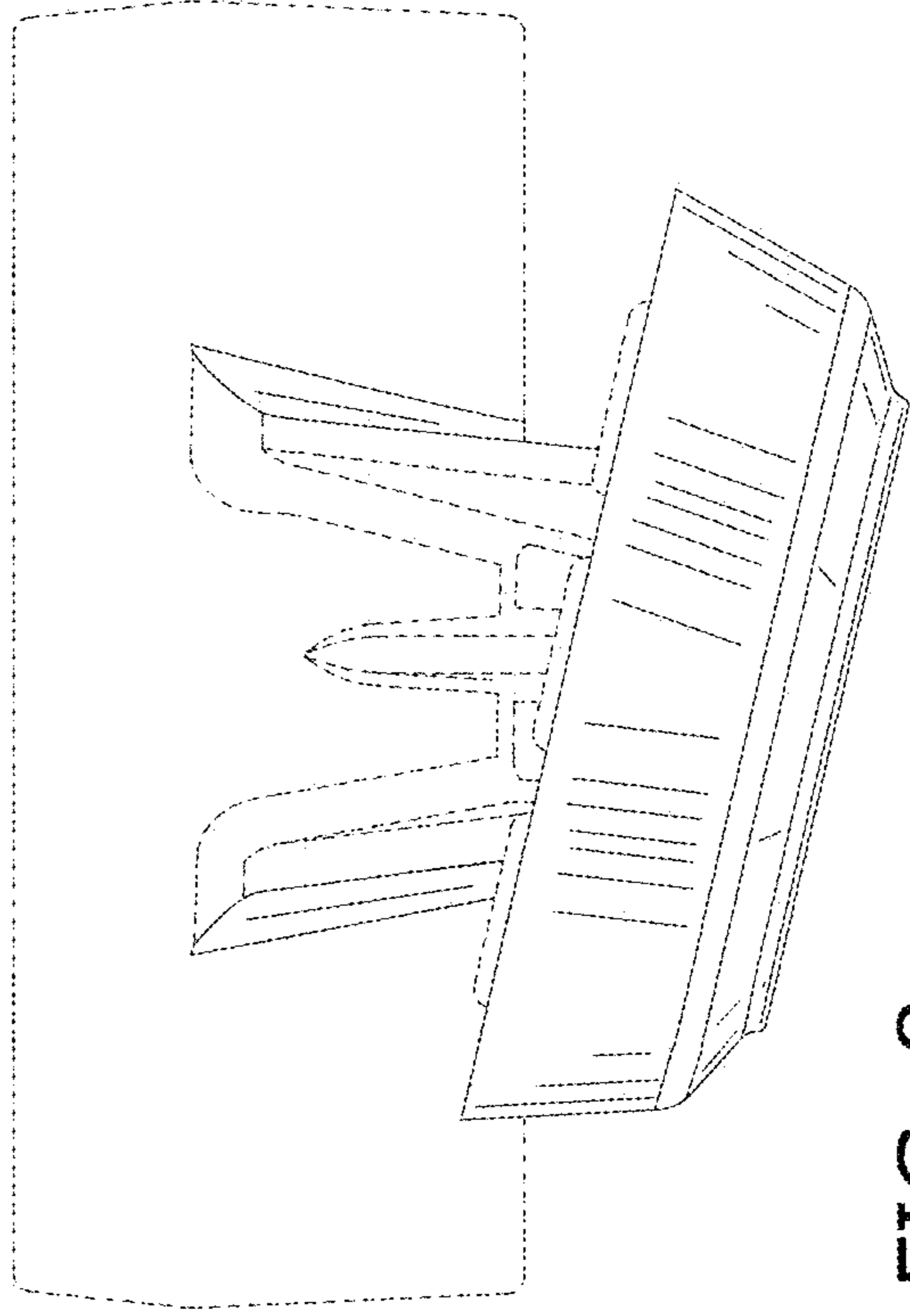


FIG. 8