



US00D949318S

(12) **United States Design Patent** (10) **Patent No.:** **US D949,318 S**
He (45) **Date of Patent:** **** Apr. 19, 2022**

(54) **WINDOW FAN**

(71) Applicant: **JIANGSU SHIHUA ELECTRIC APPLIANCE GROUP IMP. AND EXP. CO., LTD.**, Jiangsu (CN)

(72) Inventor: **Runfeng He**, Jurong (CN)

(**) Term: **15 Years**

(21) Appl. No.: **29/782,020**

(22) Filed: **May 3, 2021**

(51) **LOC (13) Cl.** **23-04**

(52) **U.S. Cl.**
USPC **D23/380**

(58) **Field of Classification Search**
USPC D23/370, 371, 378-382, 385
CPC F24F 7/013; F24F 2221/20
See application file for complete search history.

(56) **References Cited**

U.S. PATENT DOCUMENTS

D307,320 S *	4/1990	Shin-Chin	416/246
5,190,496 A *	3/1993	Shih-Chin	F24F 7/013 454/210
D345,011 S *	3/1994	O'Grady	D23/353
D346,441 S *	4/1994	Wang	D23/353
5,382,136 A *	1/1995	Wang	F04D 25/12 416/247 R
D372,771 S *	8/1996	Wang	D23/351
D375,547 S *	11/1996	Wang	D23/351
5,664,996 A *	9/1997	Wang	F24F 7/013 454/208
D389,235 S	1/1998	Jané et al.	
D397,200 S	8/1998	Wang et al.	
D397,779 S *	9/1998	Marvin	D23/353
D398,982 S	9/1998	Jané et al.	
D420,121 S *	2/2000	Felix-Flender	D23/351
D424,684 S *	5/2000	Swyst	D23/351

D425,194 S *	5/2000	Swyst	D23/351
D425,979 S	5/2000	Lozzio et al.	
D438,299 S	2/2001	Gonzales	
D454,191 S *	3/2002	Swyst	D23/411
6,579,169 B1 *	6/2003	Demark	E06B 7/02 454/200
D482,771 S *	11/2003	Johnson	D23/380
8,371,913 B1 *	2/2013	Taylor	F24F 13/20 454/210
D708,313 S	7/2014	Pan	
2016/0033151 A1 *	2/2016	Jacobs	F24F 13/20 454/208
2021/0310673 A1 *	10/2021	Zhu	F04D 27/004

* cited by examiner

Primary Examiner — Janice Hallmark

(57) **CLAIM**

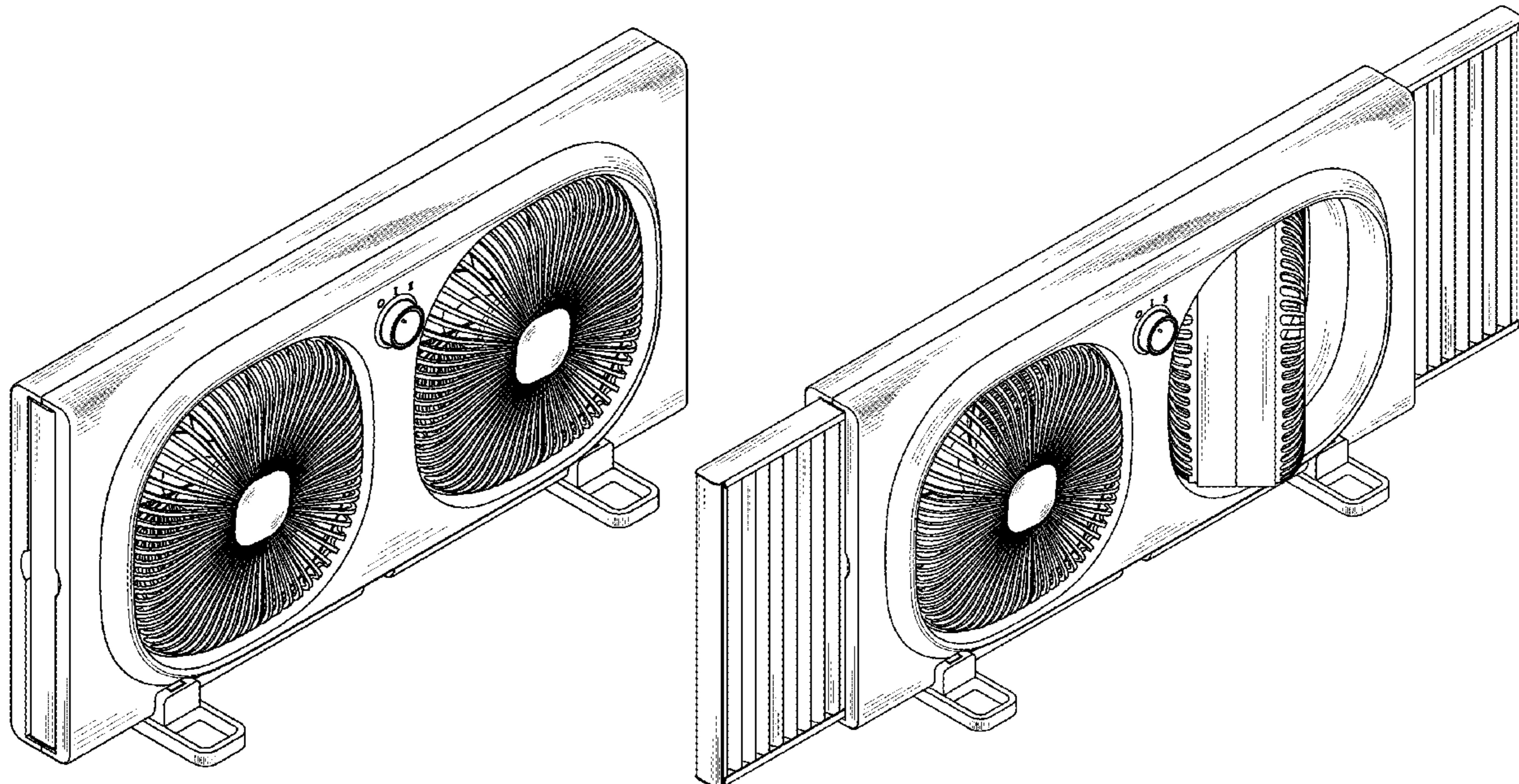
The ornamental design for a window fan, as shown and described.

DESCRIPTION

FIG. 1 is a front perspective view of a window fan showing my new design;
 FIG. 2 is a front elevation view thereof;
 FIG. 3 is a rear elevation view thereof;
 FIG. 4 is a left-side elevation view thereof;
 FIG. 5 is a right-side elevation view thereof;
 FIG. 6 is a top plan view thereof;
 FIG. 7 is a bottom plan view thereof;
 FIG. 8 is a front perspective view of the window fan in a configuration with one of the fans set at an angle; and,
 FIG. 9 is a front elevation view of the window fan in the configuration of FIG. 8.

The broken lines shown in the drawings are for the purpose of illustrating portions of the article, and form no part of the claimed design.

1 Claim, 9 Drawing Sheets



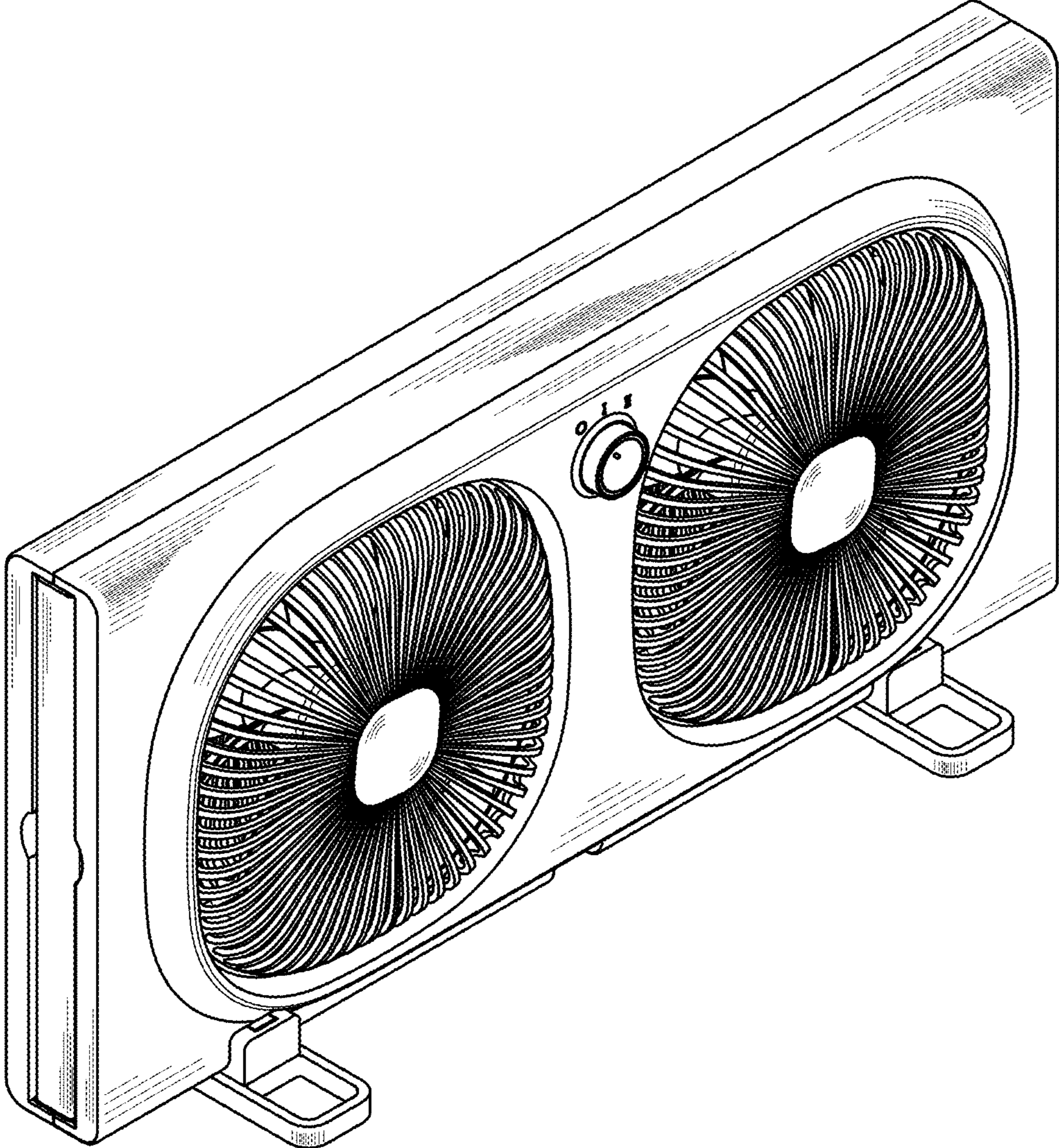


Fig. 1

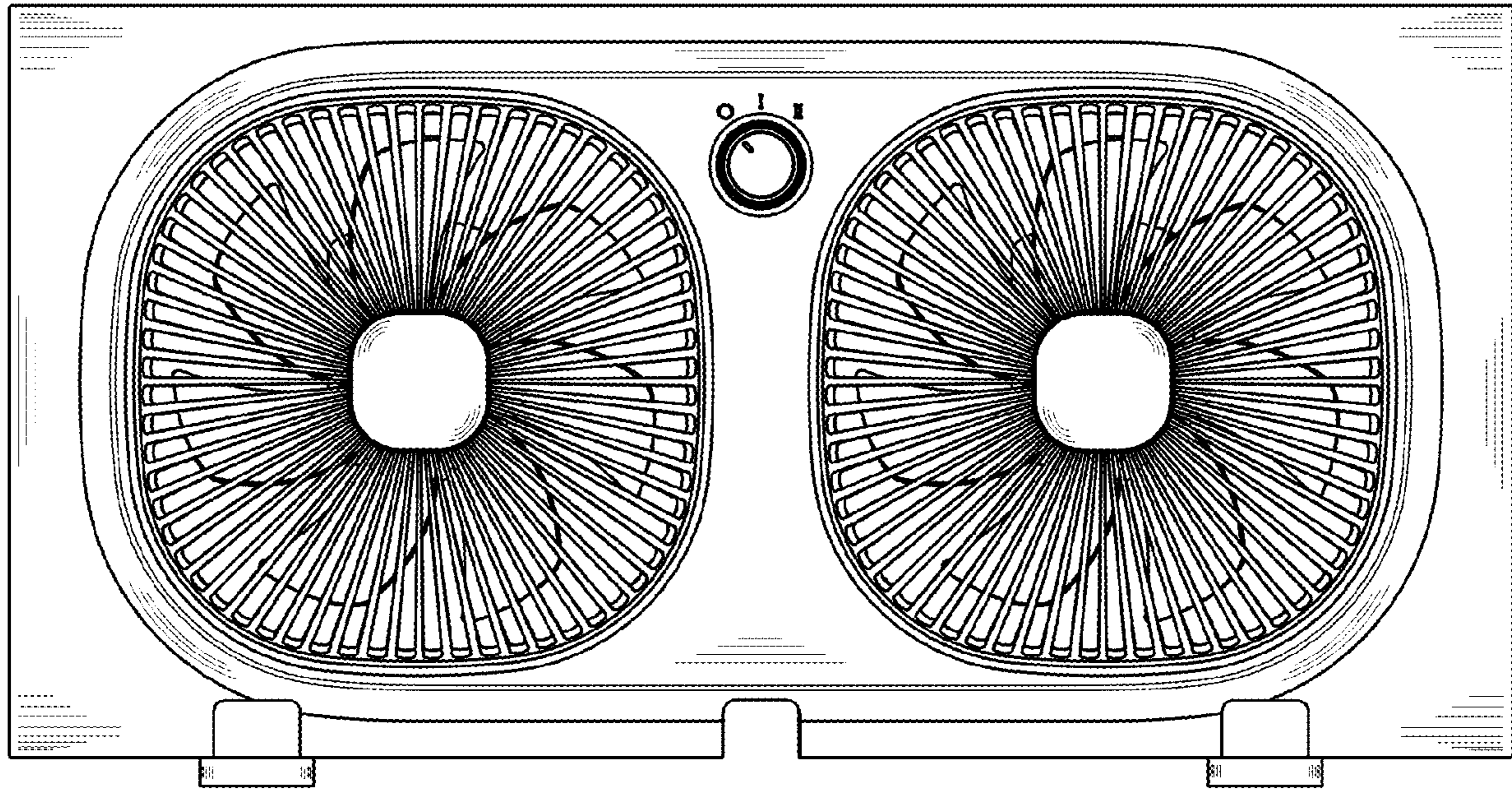


Fig. 2

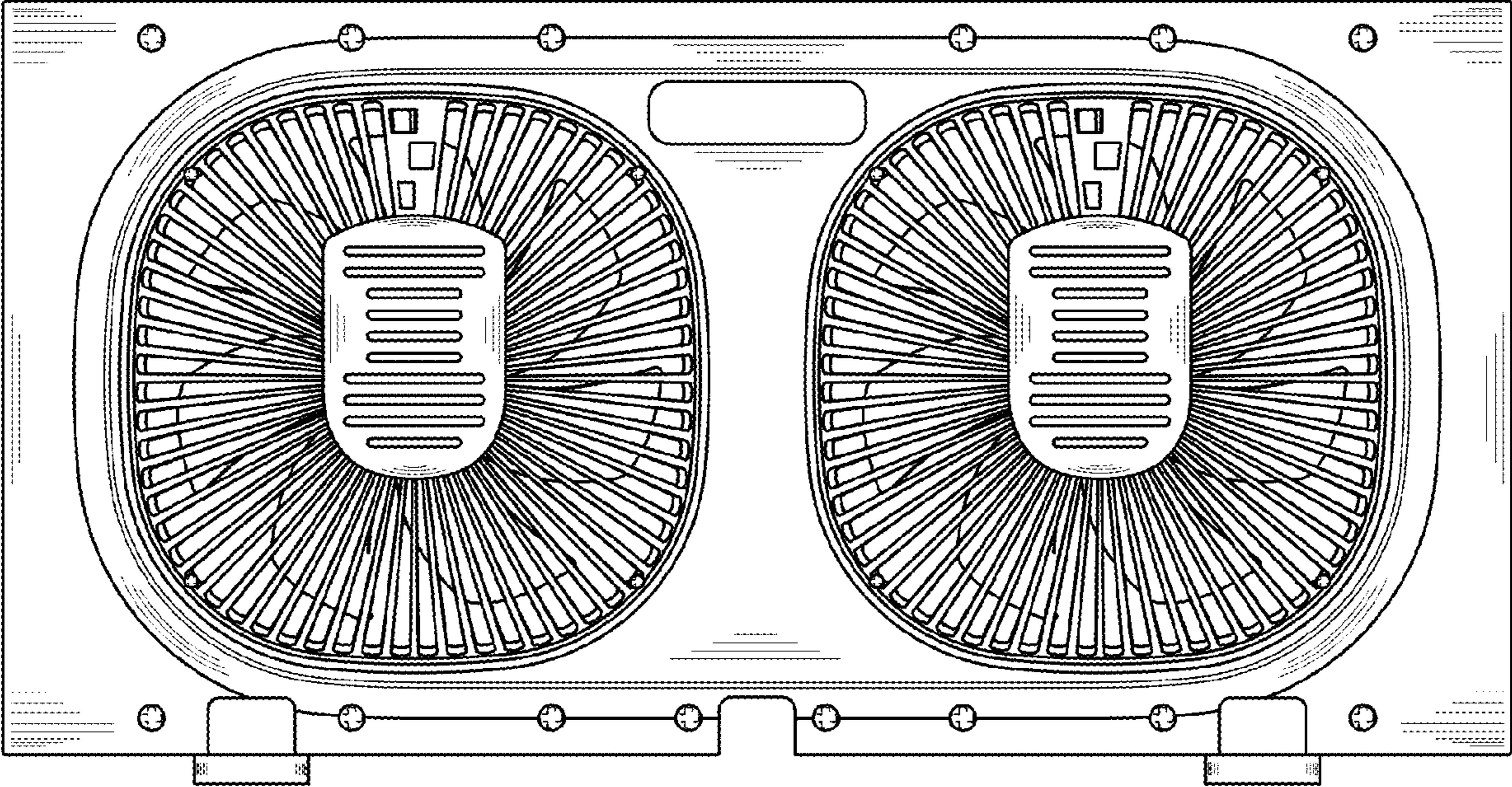


Fig. 3

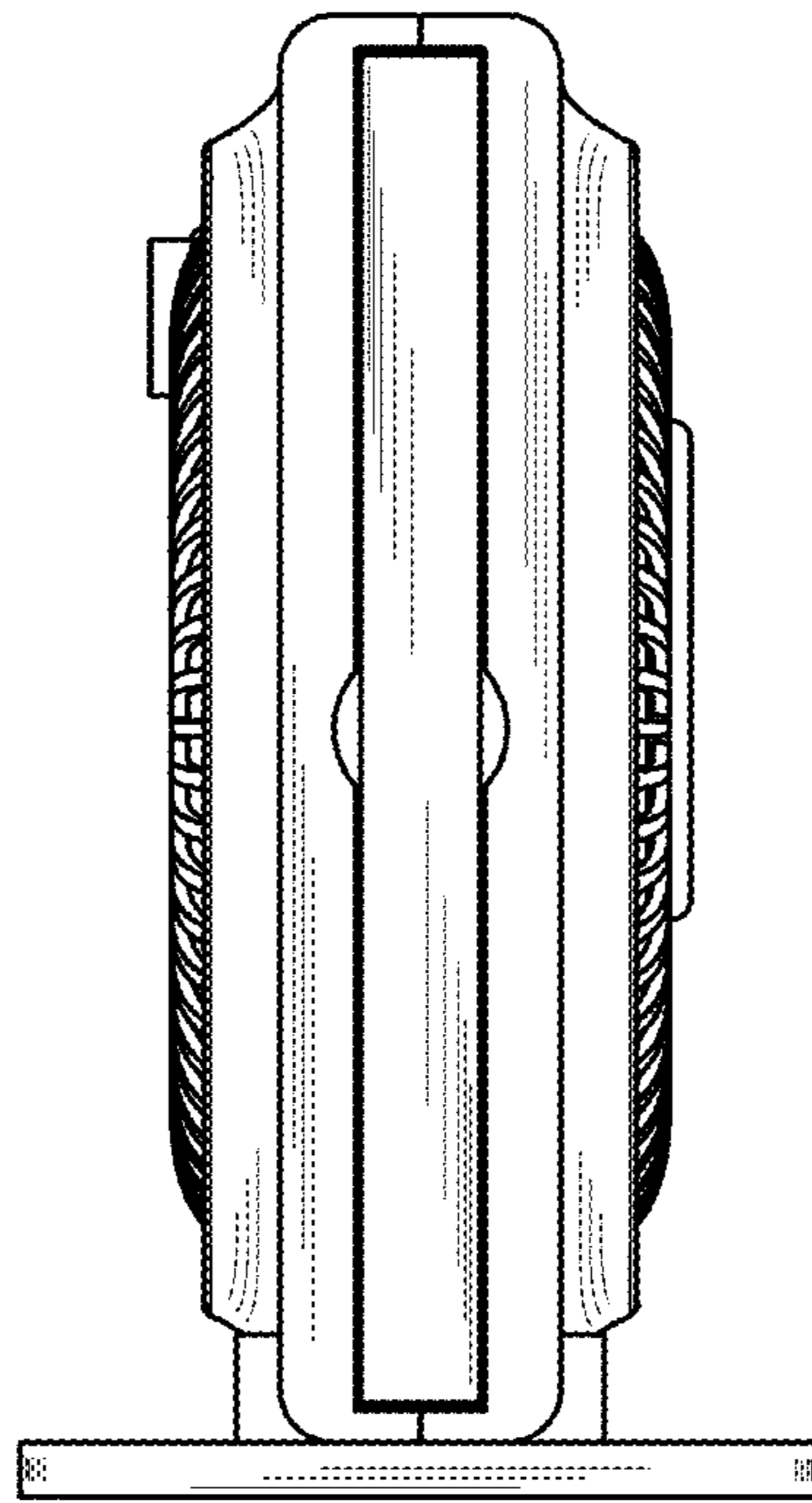


Fig. 4

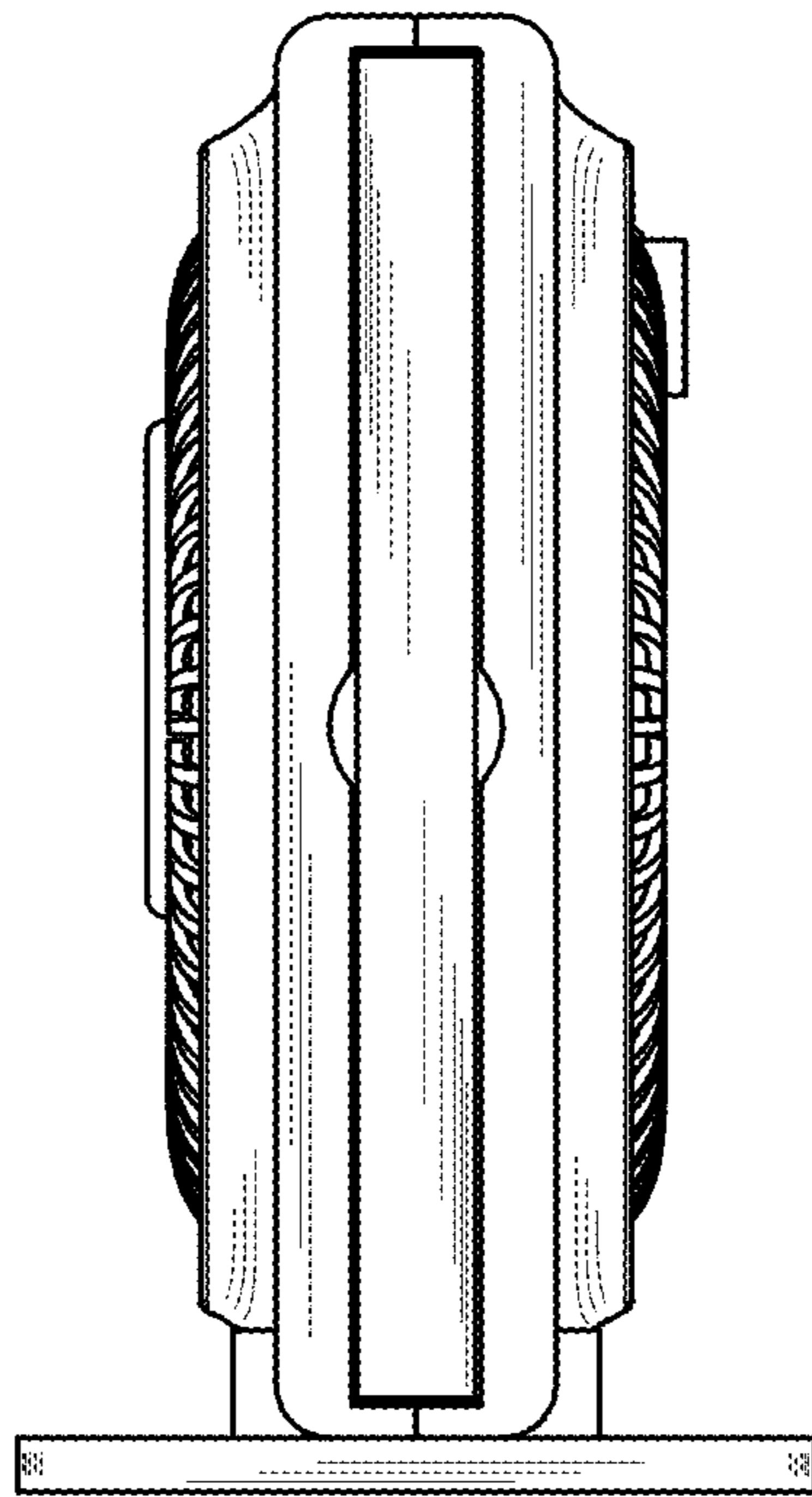


Fig. 5

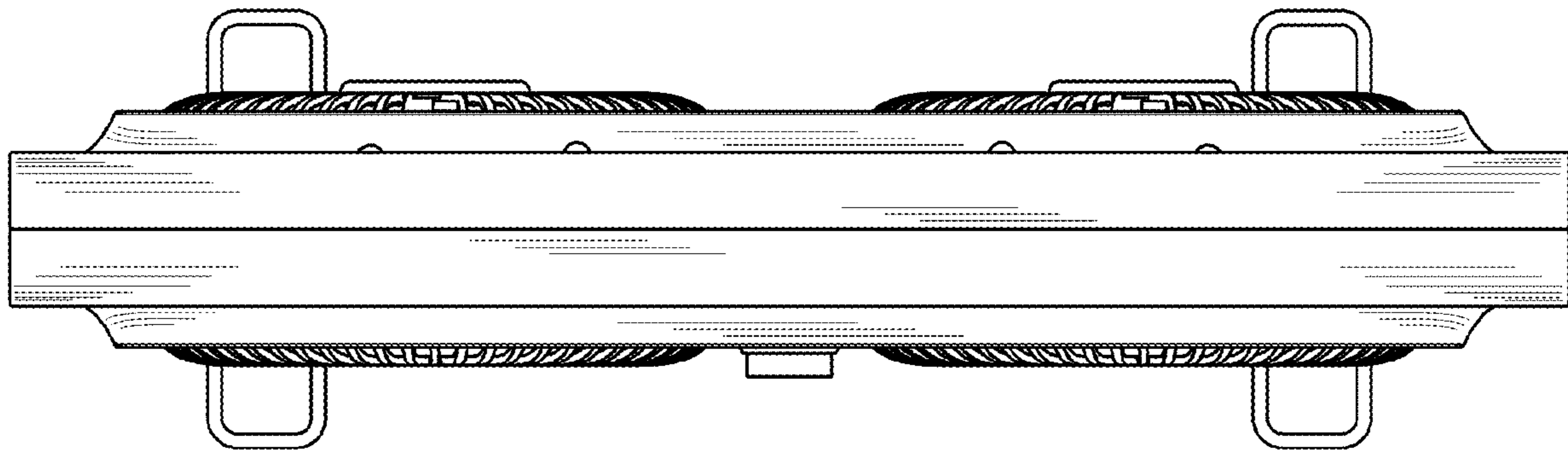


Fig. 6

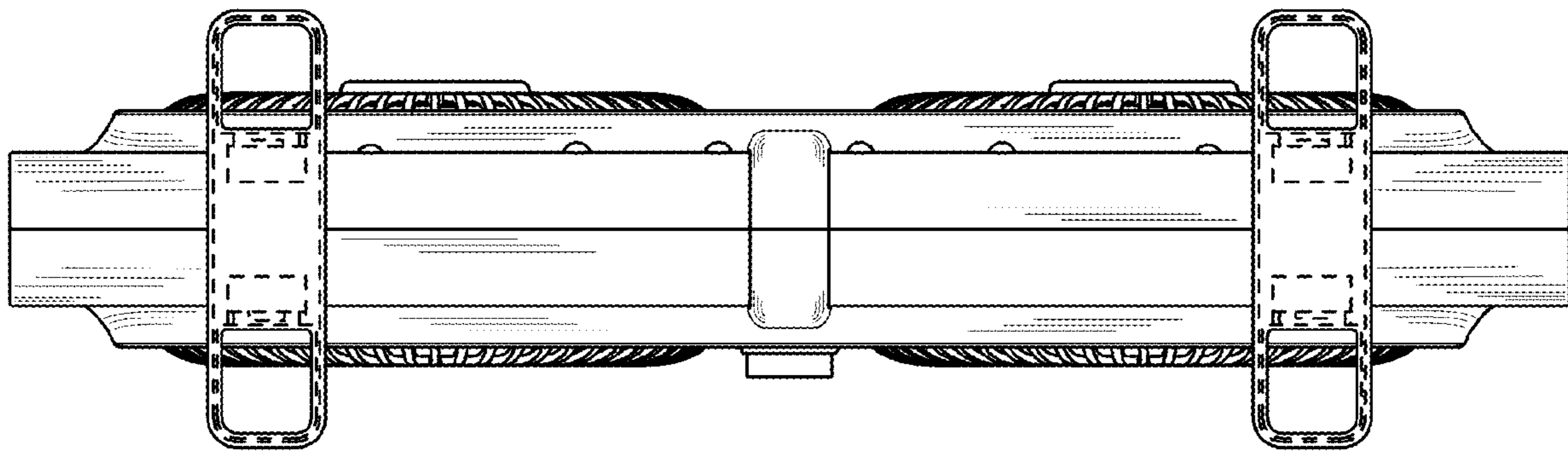


Fig. 7

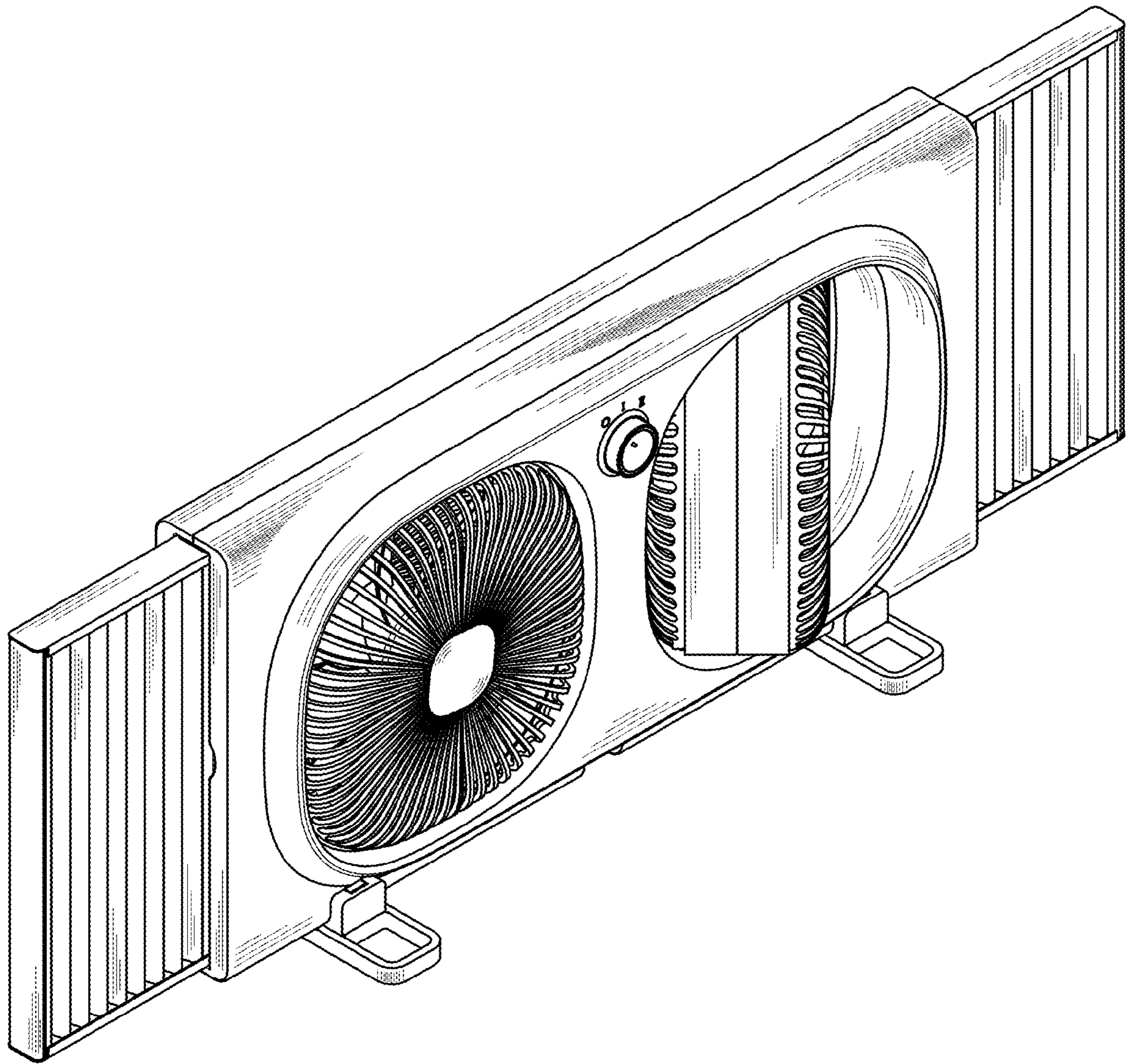


Fig. 8

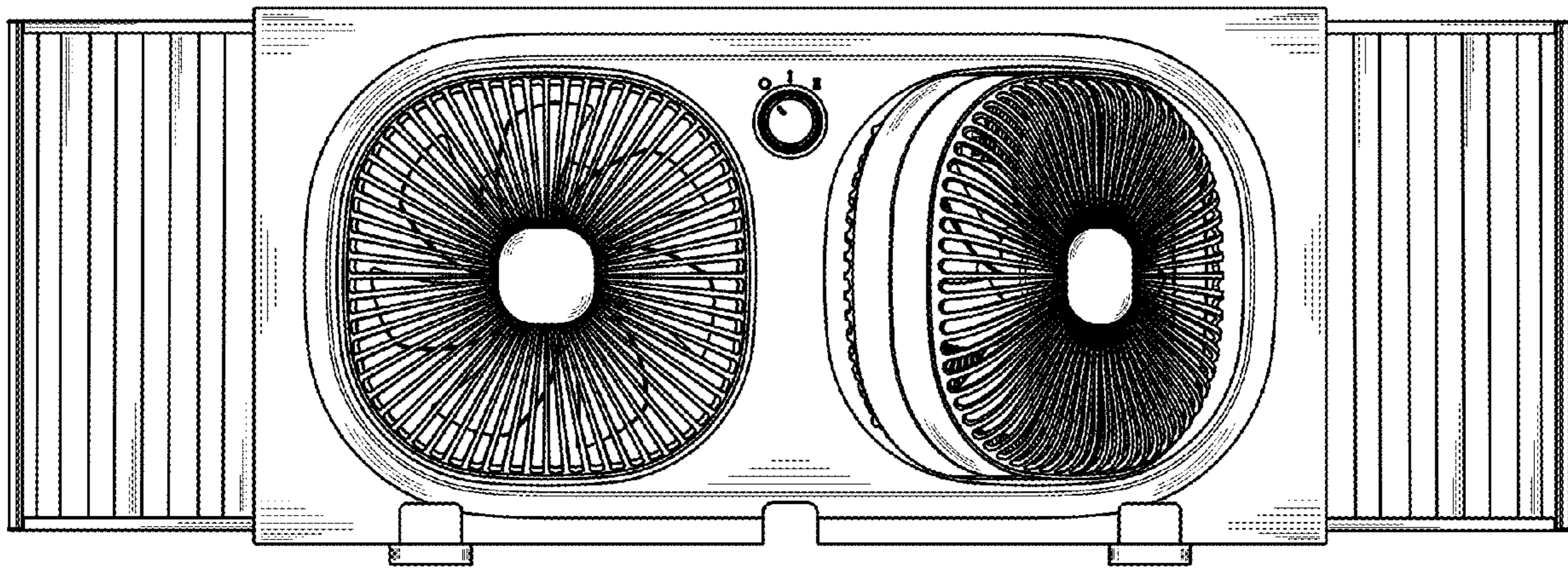


Fig. 9