



US00D949312S

(12) **United States Design Patent**  
**Jeon**

(10) **Patent No.:** **US D949,312 S**

(45) **Date of Patent:** **\*\* Apr. 19, 2022**

(54) **AIR PURIFIER WITH A WIRELESS CHARGER FOR SMARTPHONE**

(71) Applicant: **LG ELECTRONICS INC., Seoul (KR)**

(72) Inventor: **Jongkeon Jeon, Seoul (KR)**

(73) Assignee: **LG ELECTRONICS INC., Seoul (KR)**

(\*\*) Term: **15 Years**

(21) Appl. No.: **35/510,605**

(22) Filed: **Apr. 23, 2020**

(80) **Hague Agreement Data**

Int. Filing Date: **Apr. 23, 2020**  
Int. Reg. No.: **DM/208006**  
Int. Reg. Date: **Apr. 23, 2020**  
Int. Reg. Pub. Date: **Oct. 23, 2020**

(30) **Foreign Application Priority Data**

Nov. 29, 2019 (KR) ..... 30-2019-0057668

(51) **LOC (13) Cl.** ..... **23-04**

(52) **U.S. Cl.**  
USPC ..... **D23/364**

(58) **Field of Classification Search**

USPC ..... D23/355, 356, 359, 364, 370, 386  
CPC ..... B01D 46/00; B01D 46/0002; A61L 9/00  
See application file for complete search history.

(56) **References Cited**

**U.S. PATENT DOCUMENTS**

D272,757 S \* 2/1984 Fee ..... D23/364  
D281,272 S \* 11/1985 Lynch, Jr. .... D23/364  
D555,776 S \* 11/2007 Chiu ..... D23/364

D559,372 S \* 1/2008 Lam ..... D23/364  
D569,959 S \* 5/2008 Gasper ..... D23/364  
D650,472 S \* 12/2011 Petersen ..... D23/364  
D675,303 S \* 1/2013 Raupach ..... D23/364  
D807,483 S \* 1/2018 Combs ..... D23/364  
D828,529 S \* 9/2018 Hu ..... D23/364  
D877,873 S \* 3/2020 Pan ..... D23/364  
D925,026 S \* 7/2021 Chen ..... D23/364

\* cited by examiner

*Primary Examiner* — Michael A. Pratt

(74) *Attorney, Agent, or Firm* — Birch, Stewart, Kolasch & Birch, LLP

(57) **CLAIM**

The ornamental design for an air purifier with a wireless charger for smartphone, as shown and described.

**DESCRIPTION**

1. Air purifier with a wireless charger for smartphone

1.1 : Perspective

1.2 : Front

1.3 : Back

1.4 : Left

1.5 : Right

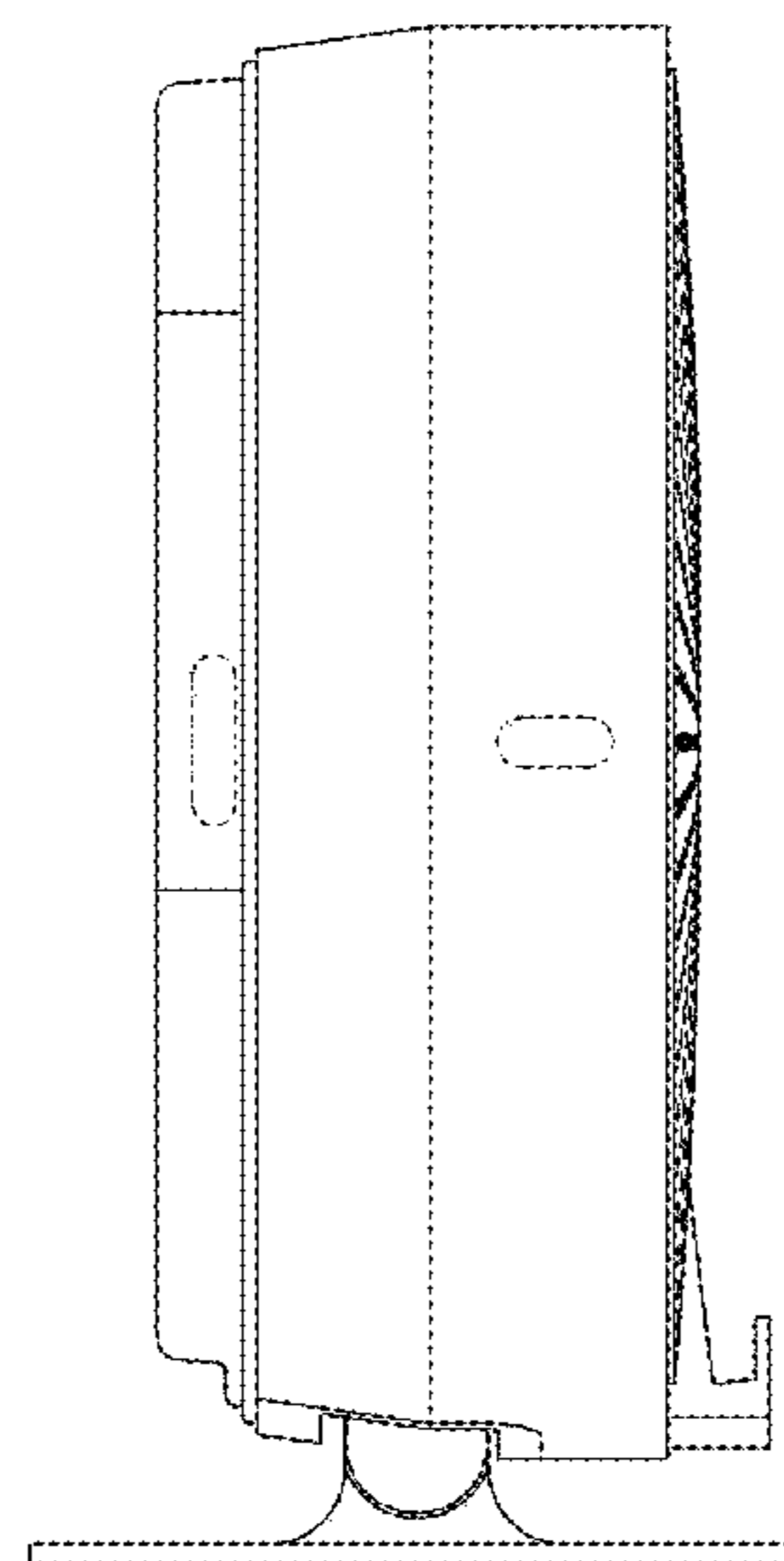
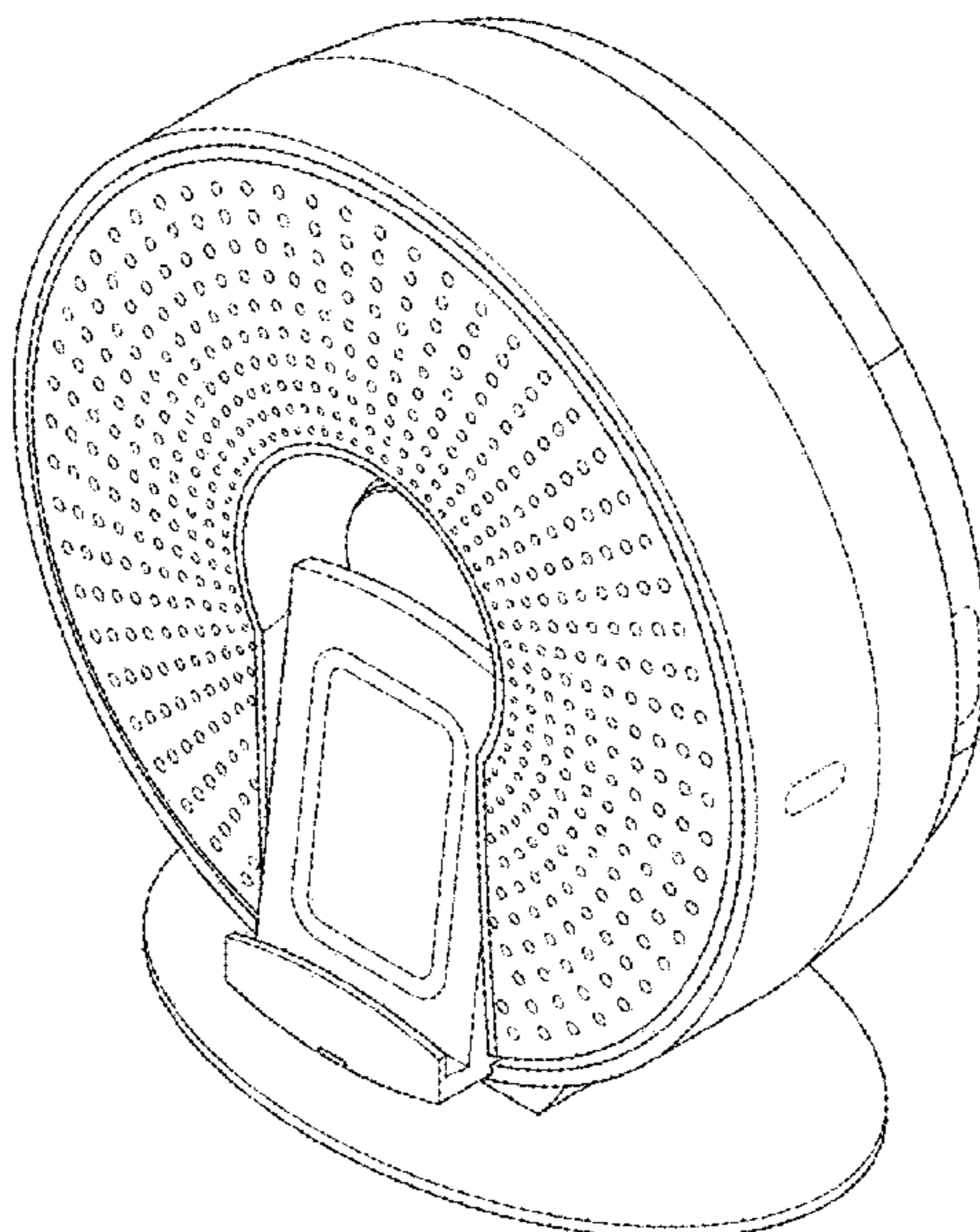
1.6 : Top

1.7 : Bottom

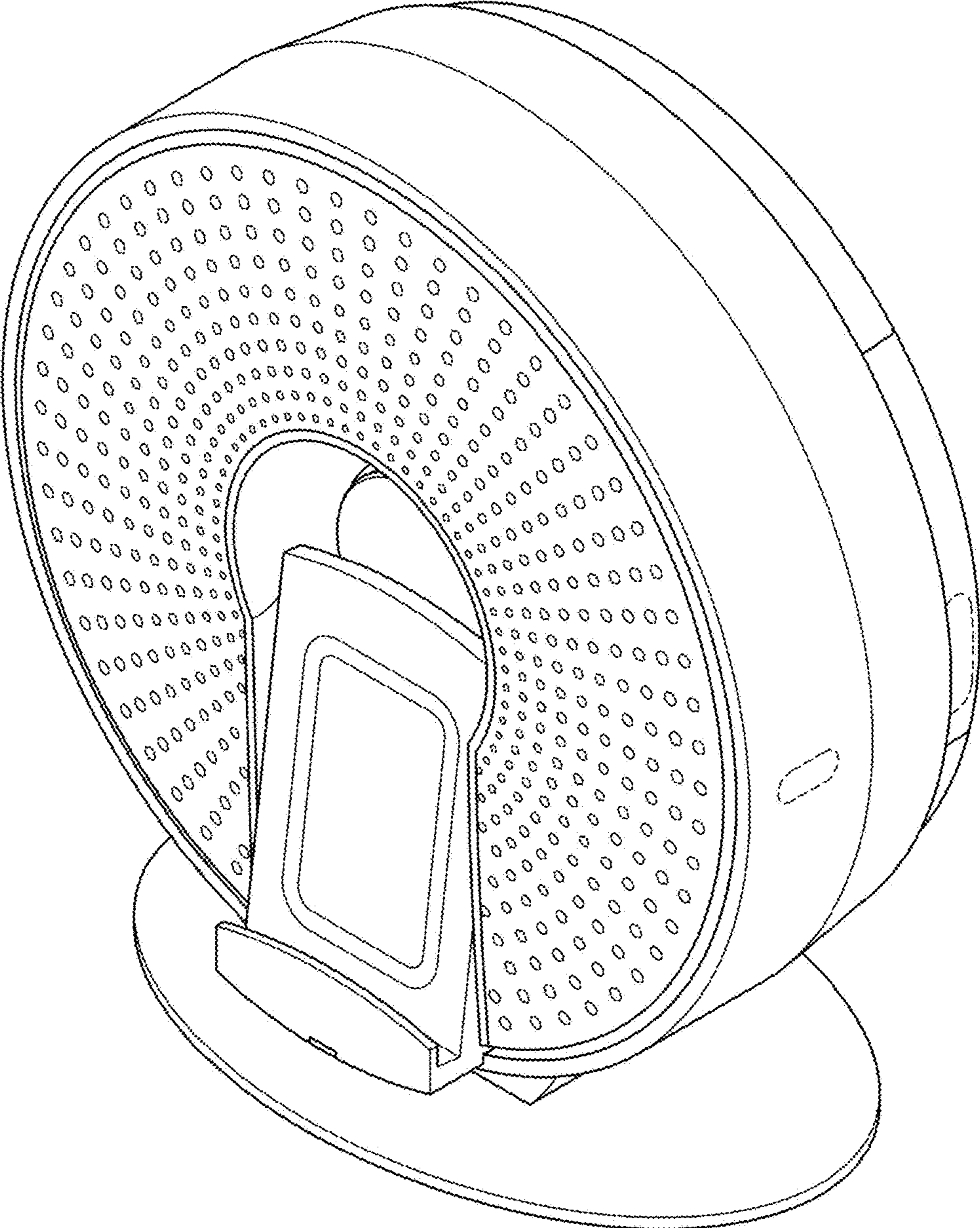
1.8 : Reference view in a state of use

The parts shown by means of broken lines in the reproductions are not part of the claimed design.

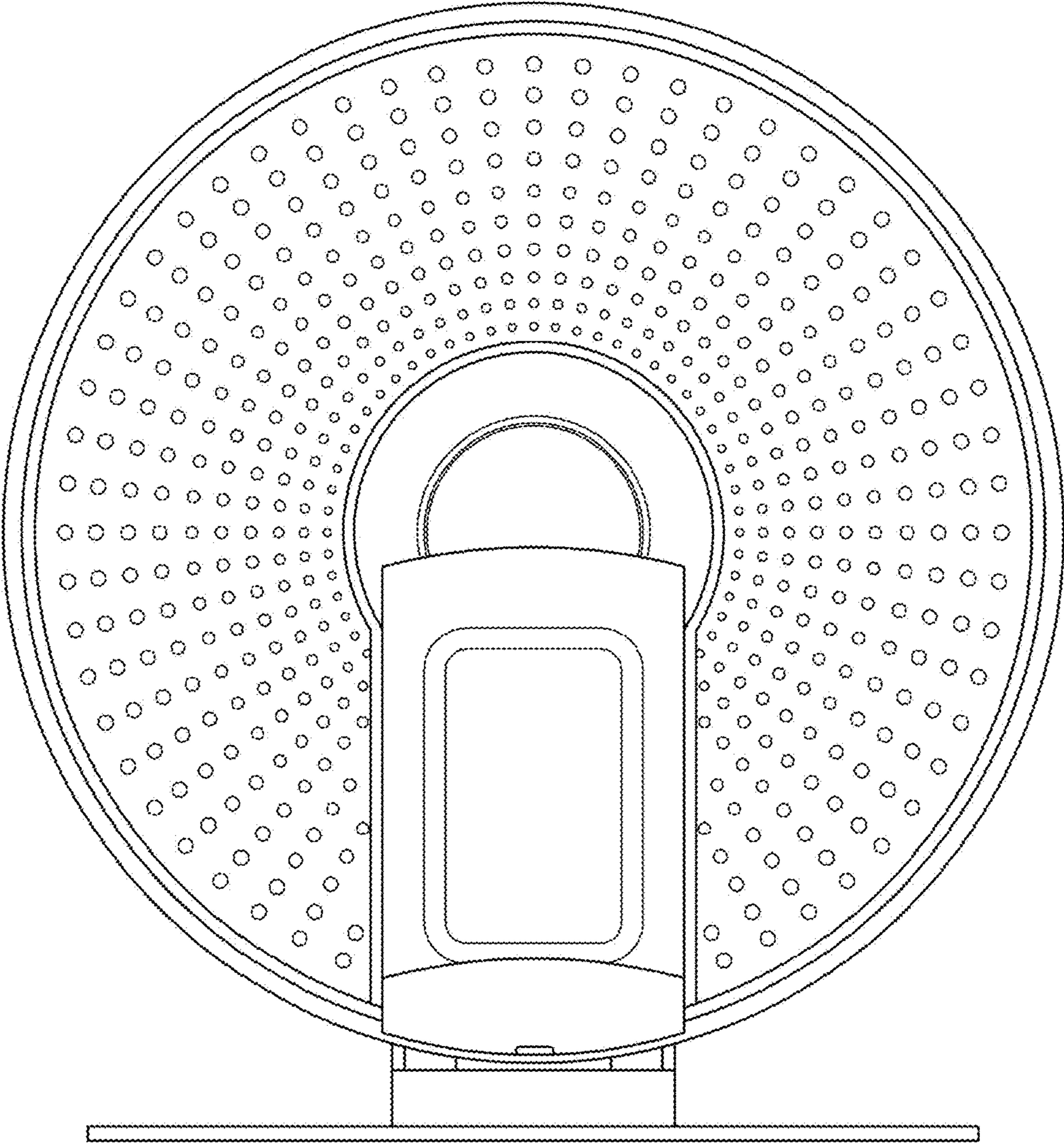
**1 Claim, 8 Drawing Sheets**



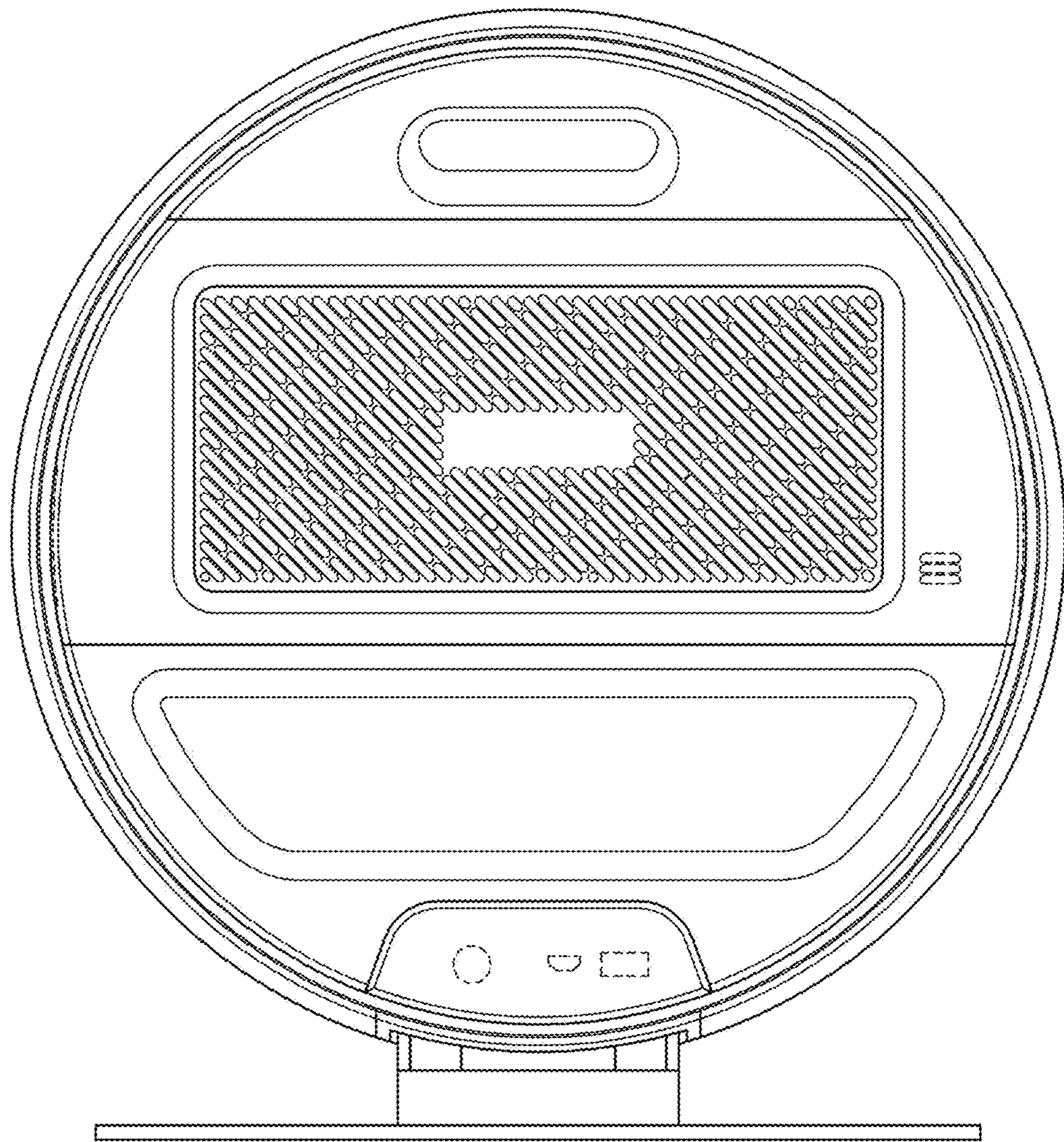
1.1



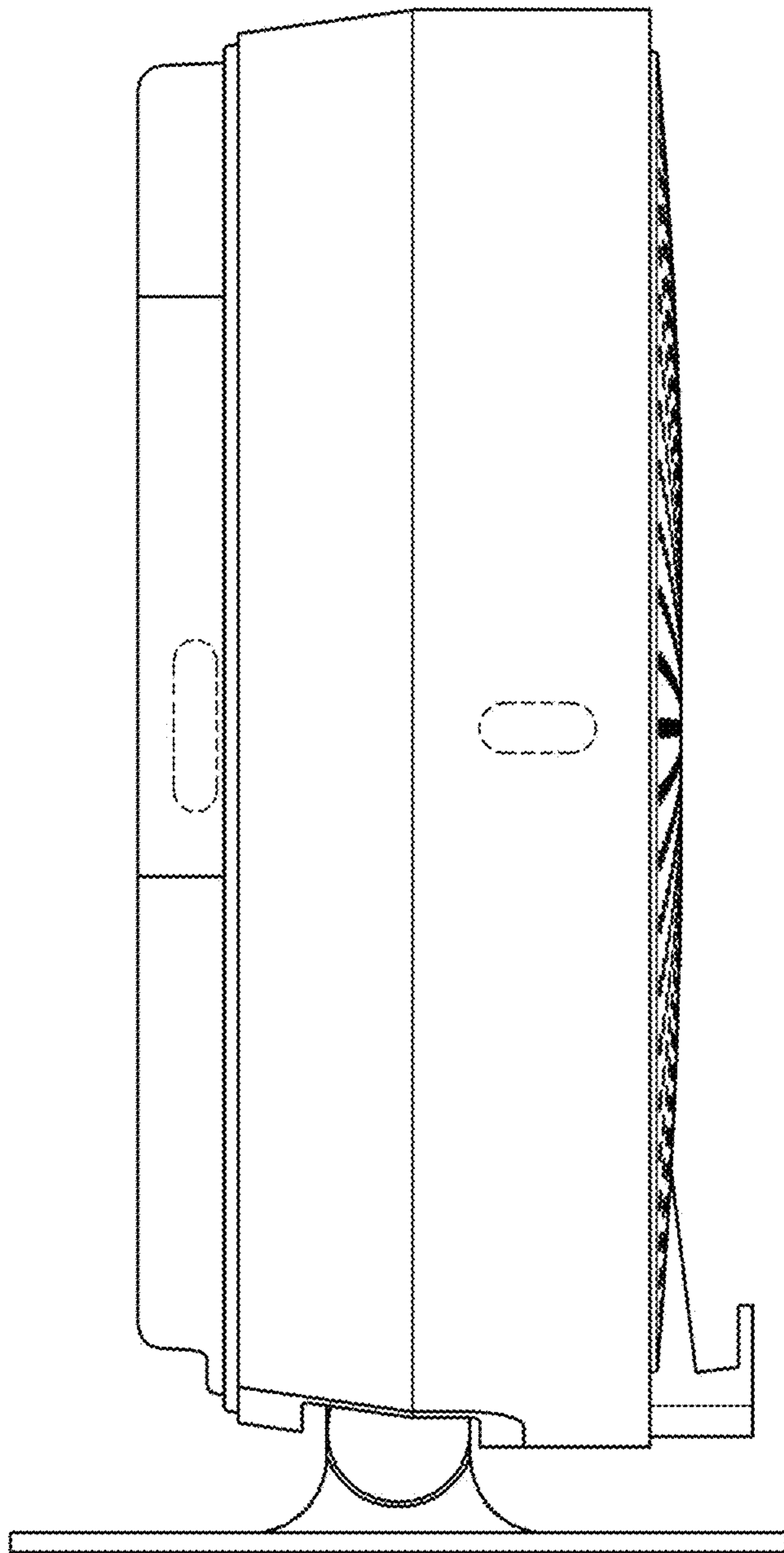
1.2



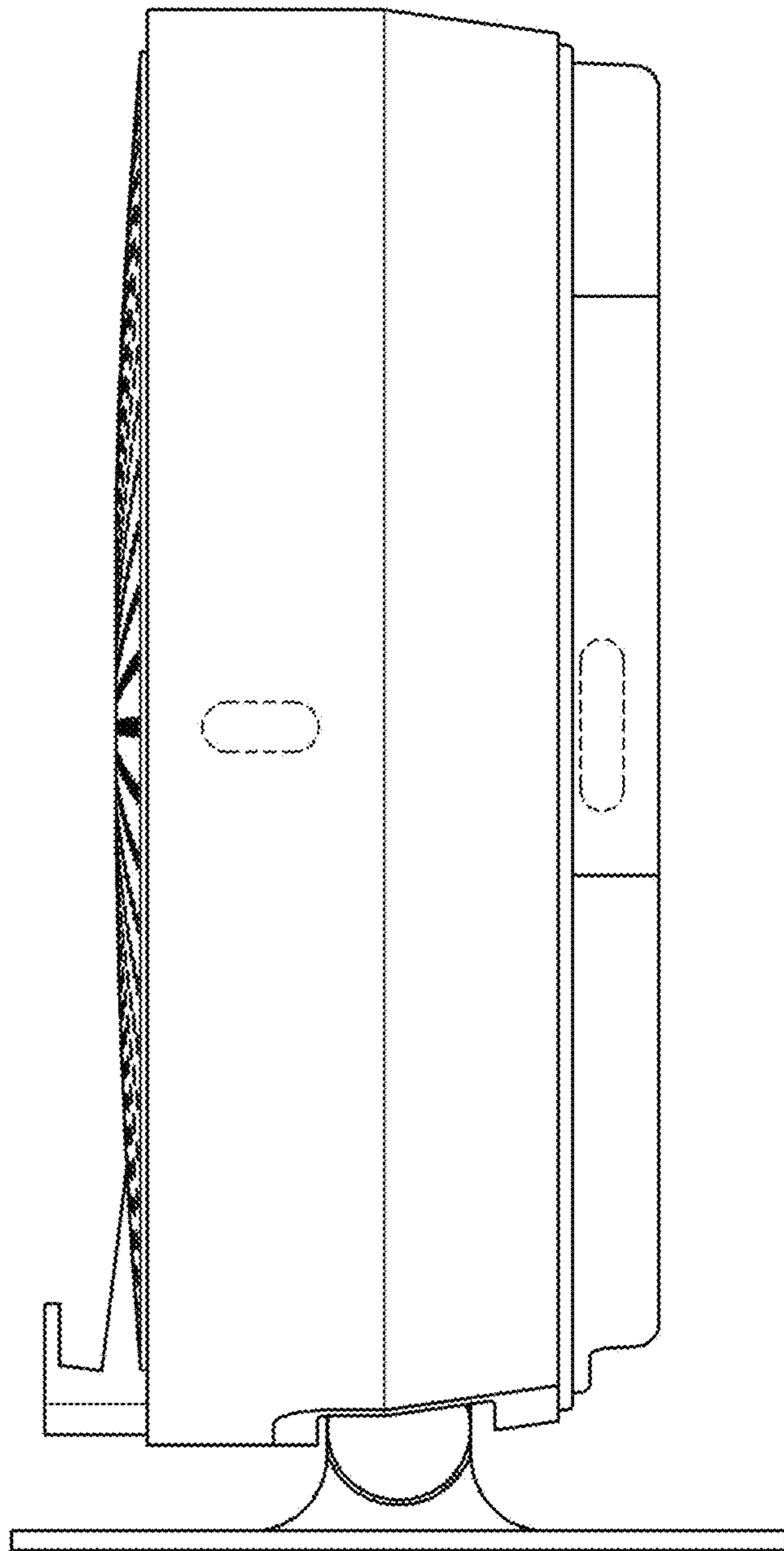
1.3



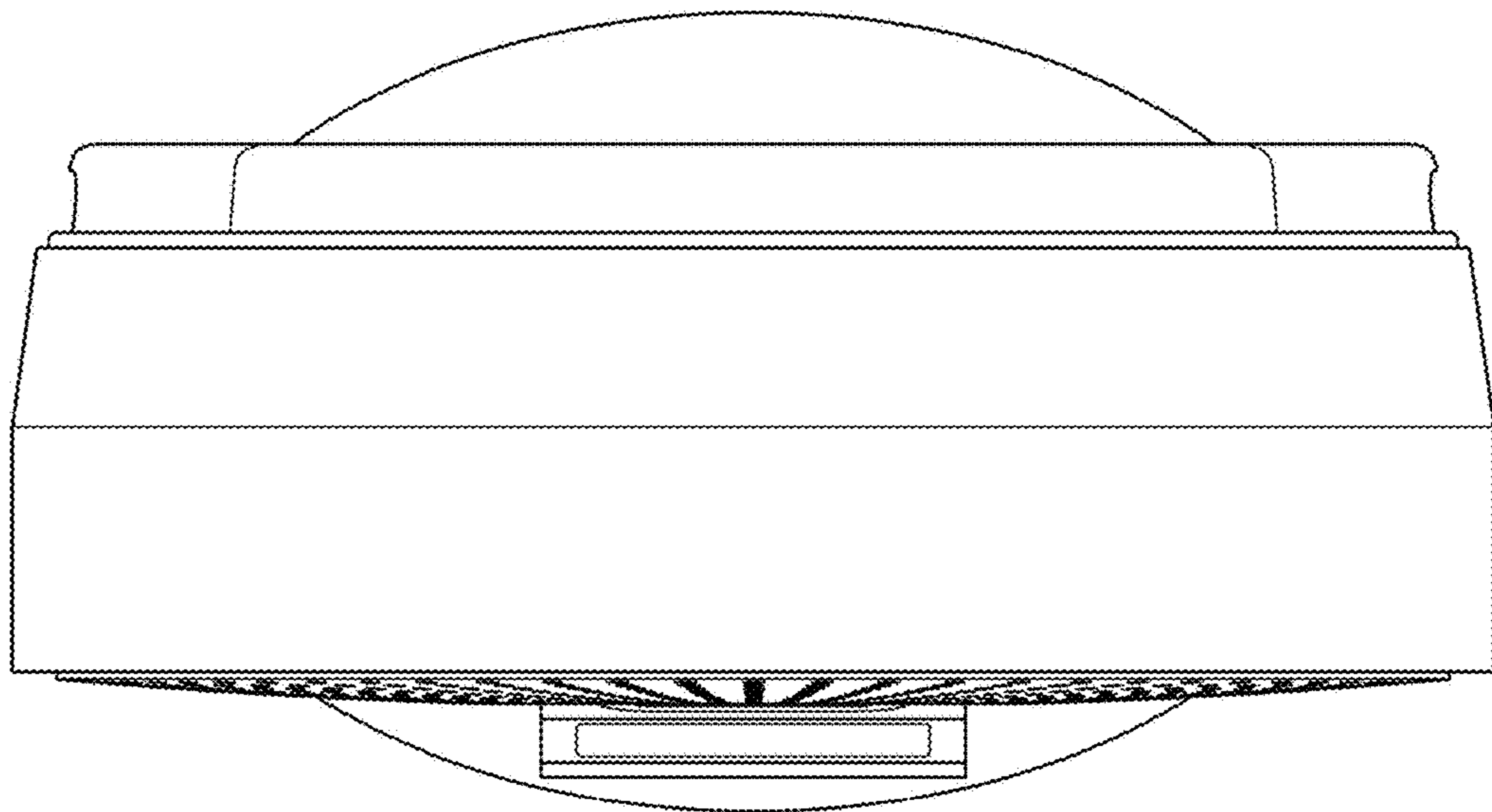
1.4



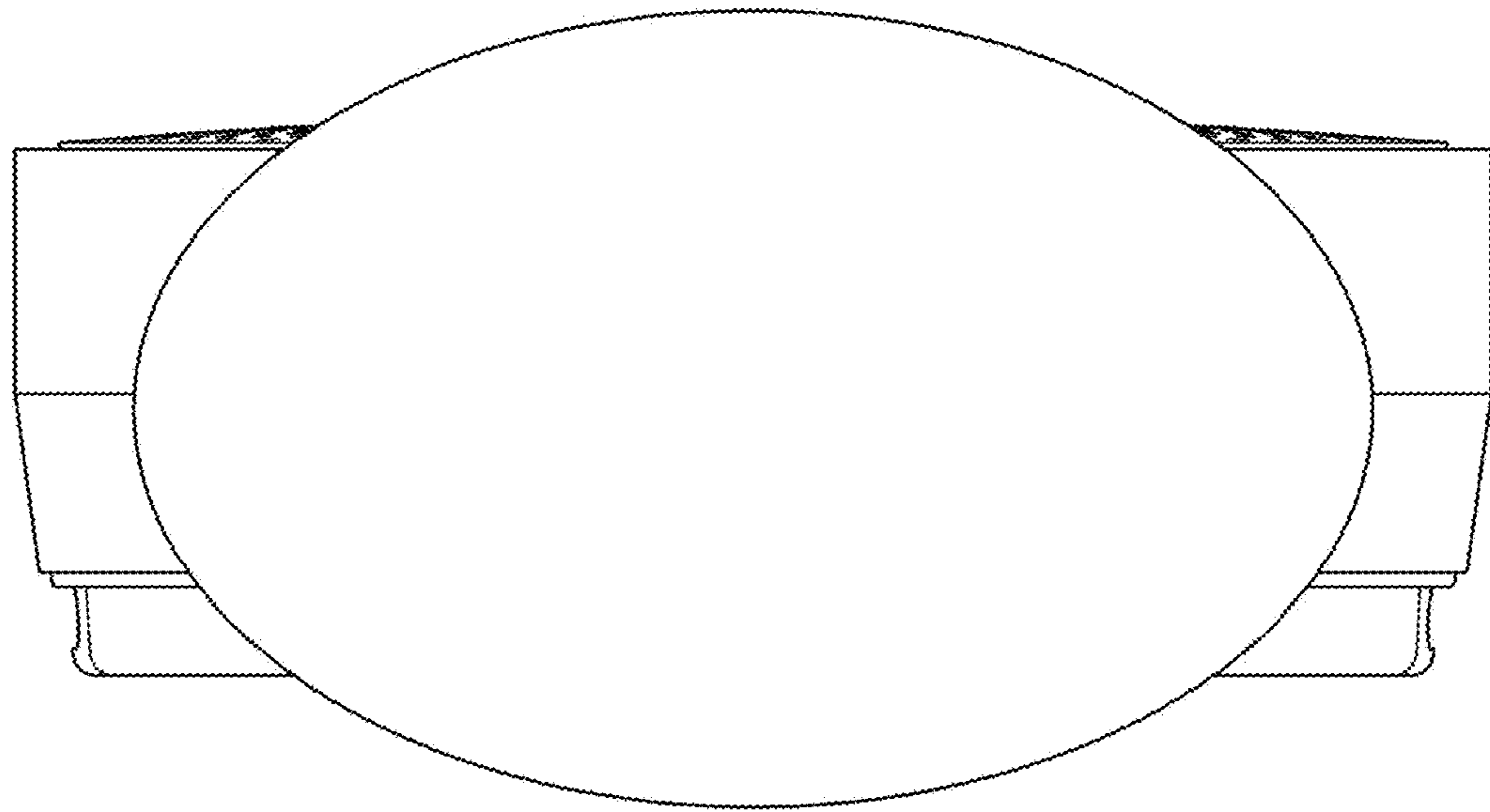
1.5



1.6



1.7





1.8

