

US00D949311S

(12) **United States Design Patent** (10) **Patent No.:** **US D949,311 S**
Yan (45) **Date of Patent:** **** Apr. 19, 2022**

(54) **AIR PURIFIER**

FOREIGN PATENT DOCUMENTS

(71) Applicant: **SHENZHEN PUREMATE TECHNOLOGY CO., LTD.**, Guangdong (CN)

CN 304934965 * 12/2018
CN 305803734 * 5/2020
CN 305870855 * 6/2020

(72) Inventor: **Yiqing Yan**, Guangdong (CN)

OTHER PUBLICATIONS

(73) Assignee: **SHENZHEN PUREMATE TECHNOLOGY CO., LTD.**, Shenzhen (CN)

RedyPure Air Purifiers, first available Sep. 2, 2020[online], [site visited Jan. 6, 2022]. Available from internet, URL:<<https://www.amazon.com/dp/B08CKBQNBB>> (Year: 2020).*

(Continued)

(**) Term: **15 Years**

Primary Examiner — Barbara Fox

(21) Appl. No.: **29/758,858**

Assistant Examiner — Jamaal Rasheed

(22) Filed: **Nov. 19, 2020**

(57) **CLAIM**

(30) **Foreign Application Priority Data**

The ornamental design for an air purifier, as shown and described.

Sep. 28, 2020 (CN) 202030585579.9

DESCRIPTION

(51) **LOC (13) Cl.** **23-04**

(52) **U.S. Cl.**
USPC **D23/364**

(58) **Field of Classification Search**
USPC D23/356, 359, 364–365, 378, 499
CPC F24F 1/029; F24F 1/035; F24F 1/0287;
F24F 6/06; F24F 6/14; F24F 13/06; B05B
17/06

See application file for complete search history.

FIG. 1 is a front elevational view of an air purifier showing my new design;
FIG. 2 is a rear elevational view thereof;
FIG. 3 is a left side view thereof;
FIG. 4 is a right side view thereof;
FIG. 5 is a top plan view thereof;
FIG. 6 is a bottom plan view thereof;
FIG. 7 is a top, front and left side perspective view thereof;
FIG. 8 is a bottom, rear and right side perspective view thereof;
FIG. 9 is an enlarged view of portion 9 in FIG. 7; and,
FIG. 10 is an enlarged view of portion 10 in FIG. 7.

(56) **References Cited**

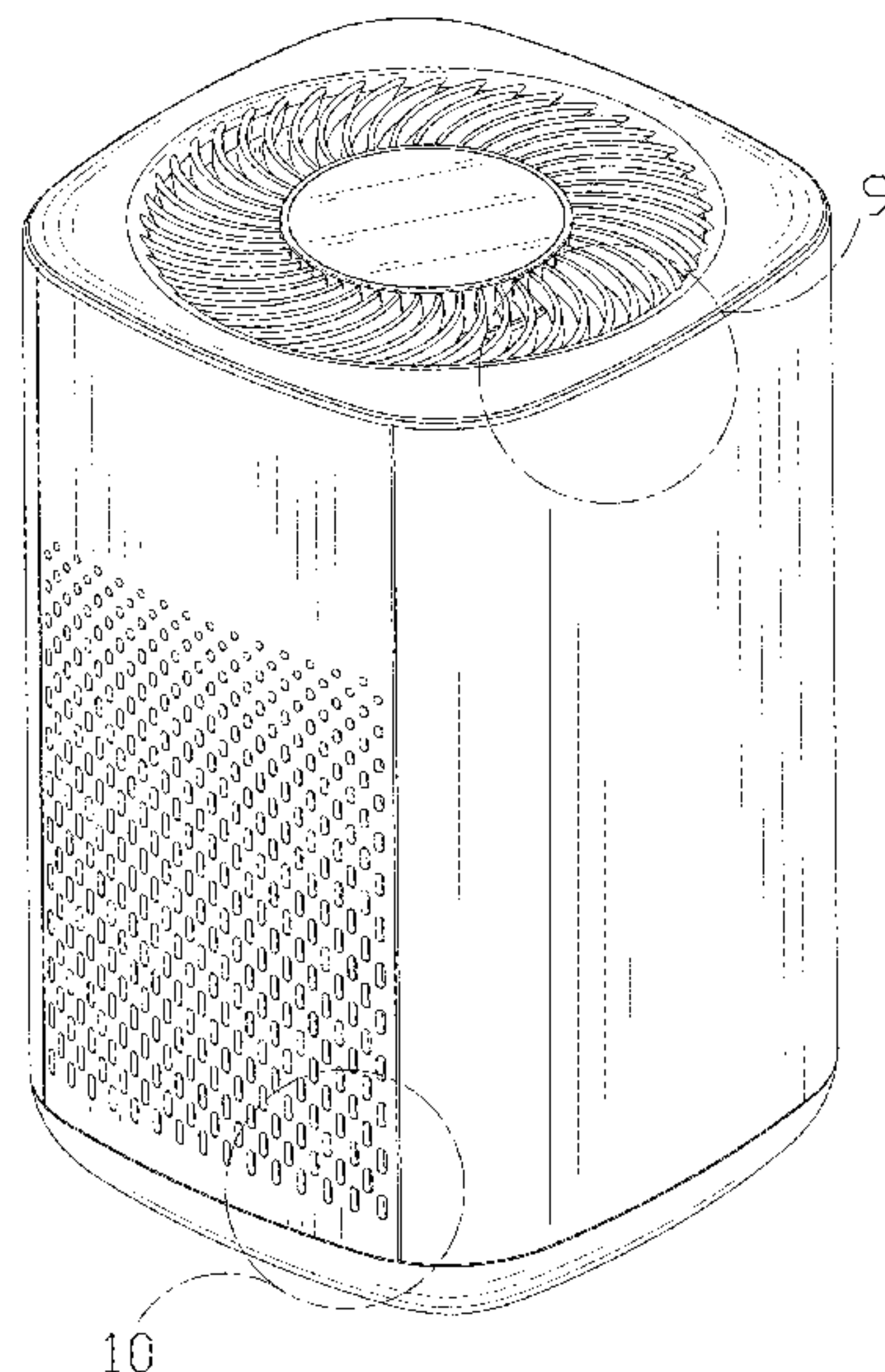
U.S. PATENT DOCUMENTS

D682,406 S * 5/2013 Yeom D23/364
D721,061 S * 1/2015 Burlingame D14/216
9,919,252 B2 * 3/2018 Wennerstrom F24F 8/80
D835,765 S * 12/2018 Chen D23/364
D852,344 S * 6/2019 Hua D23/364
D912,796 S * 3/2021 Huang D23/364
D915,575 S * 4/2021 Chen D23/366

The evenly spaced broken lines in the drawings illustrate portions of the air purifier which form no part of the claimed design. The dash-dot broken lines showing the enlargements in FIGS. 7, 9, and 10 form no part of the claimed design. The oblique shade lines in the drawings are used to show a reflective surface of a screen of the air purifier.

(Continued)

1 Claim, 10 Drawing Sheets



(56)

References Cited

U.S. PATENT DOCUMENTS

D921,869 S * 6/2021 Han D23/364
D933,179 S * 10/2021 Fu D23/333
2021/0190342 A1* 6/2021 Zhan F24F 13/082

OTHER PUBLICATIONS

ROVACS Air Purifiers, first available Oct. 22, 2020[online], [site visited Dec. 13, 2021]. Available from internet, URL:<<https://www.amazon.com/ROVACS-Purifiers-Allergies-Available-California/dp/B08LN85H7Z>> (Year: 2020).*

* cited by examiner

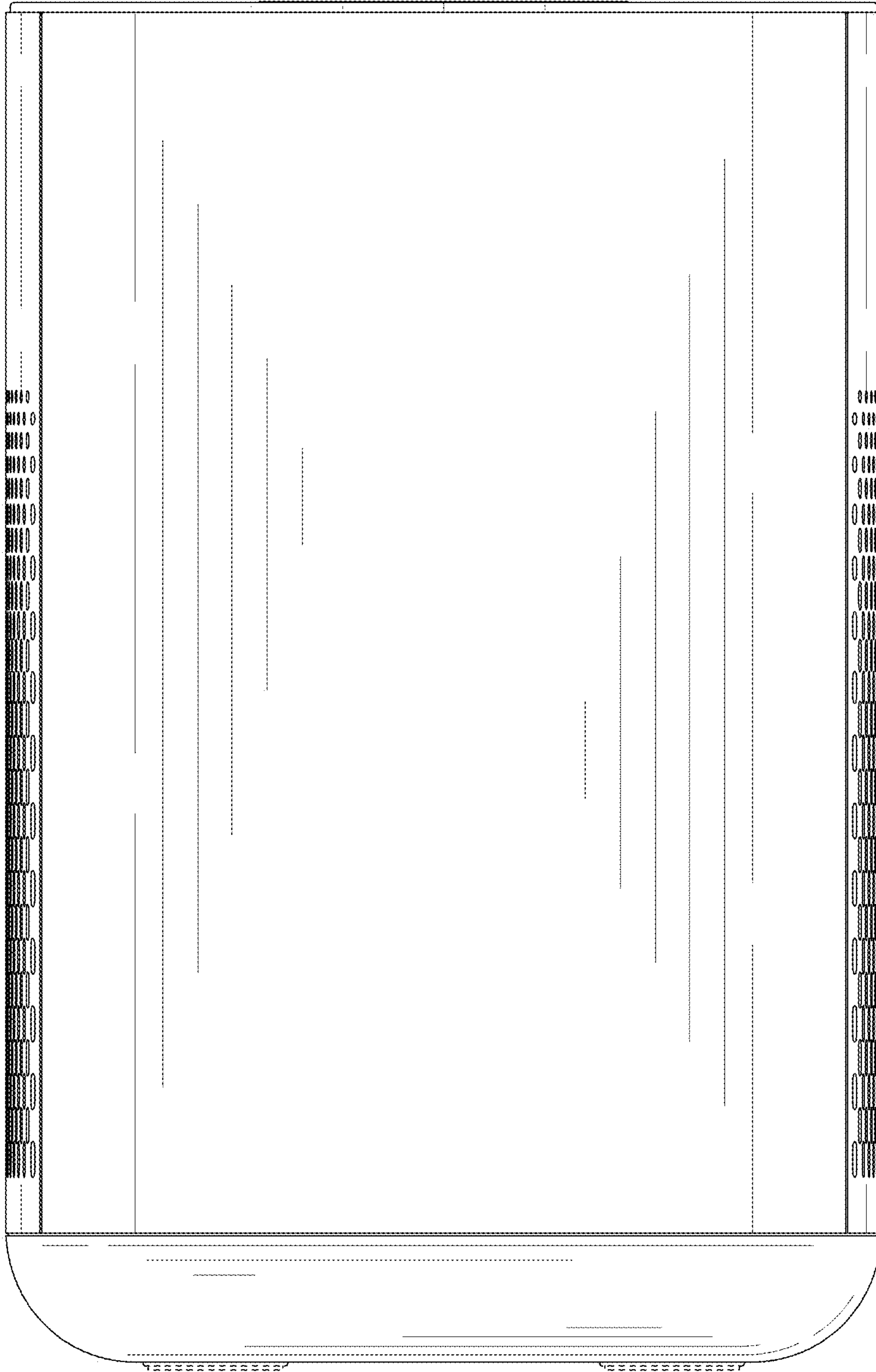


FIG.1

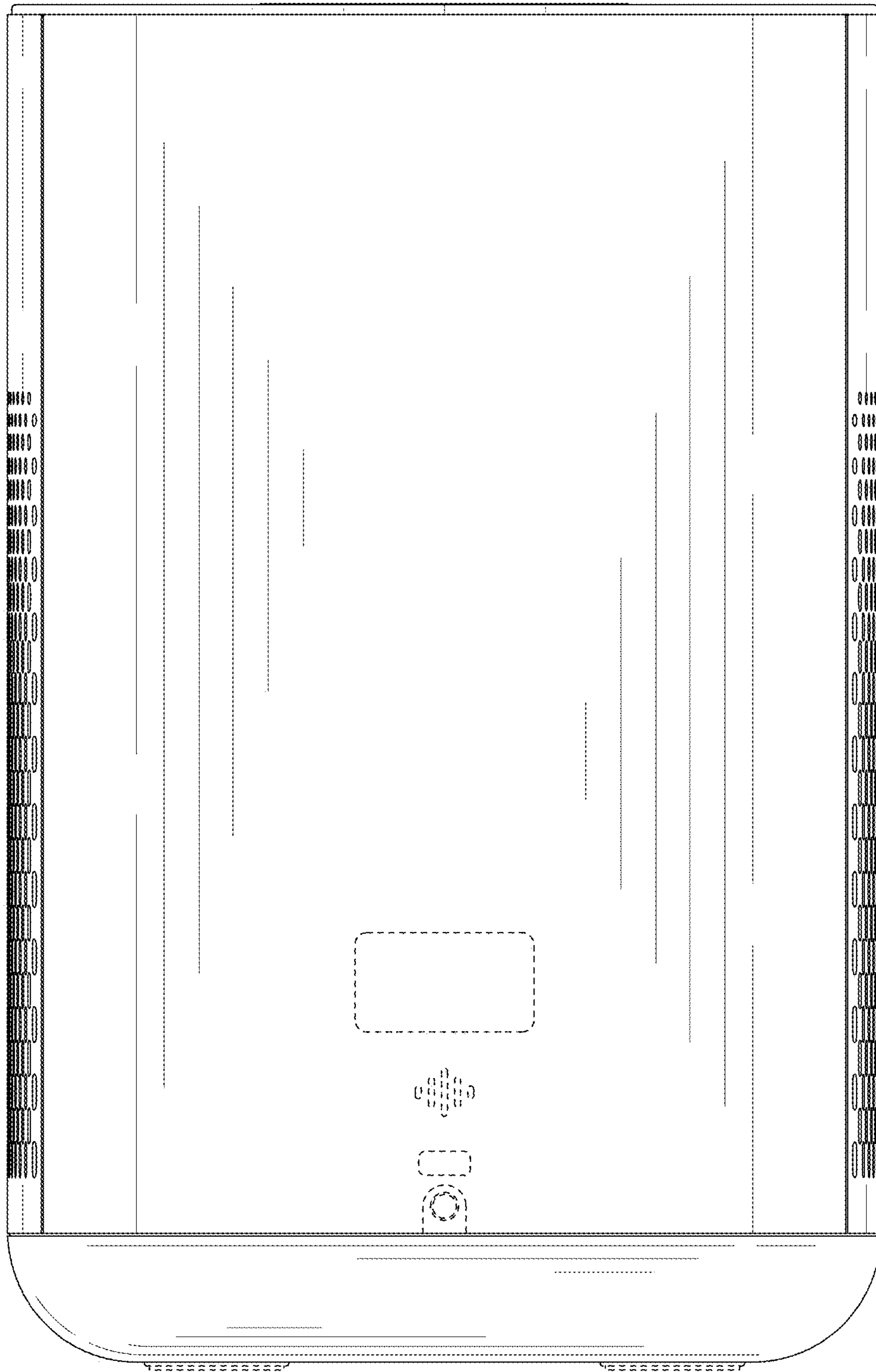


FIG. 2

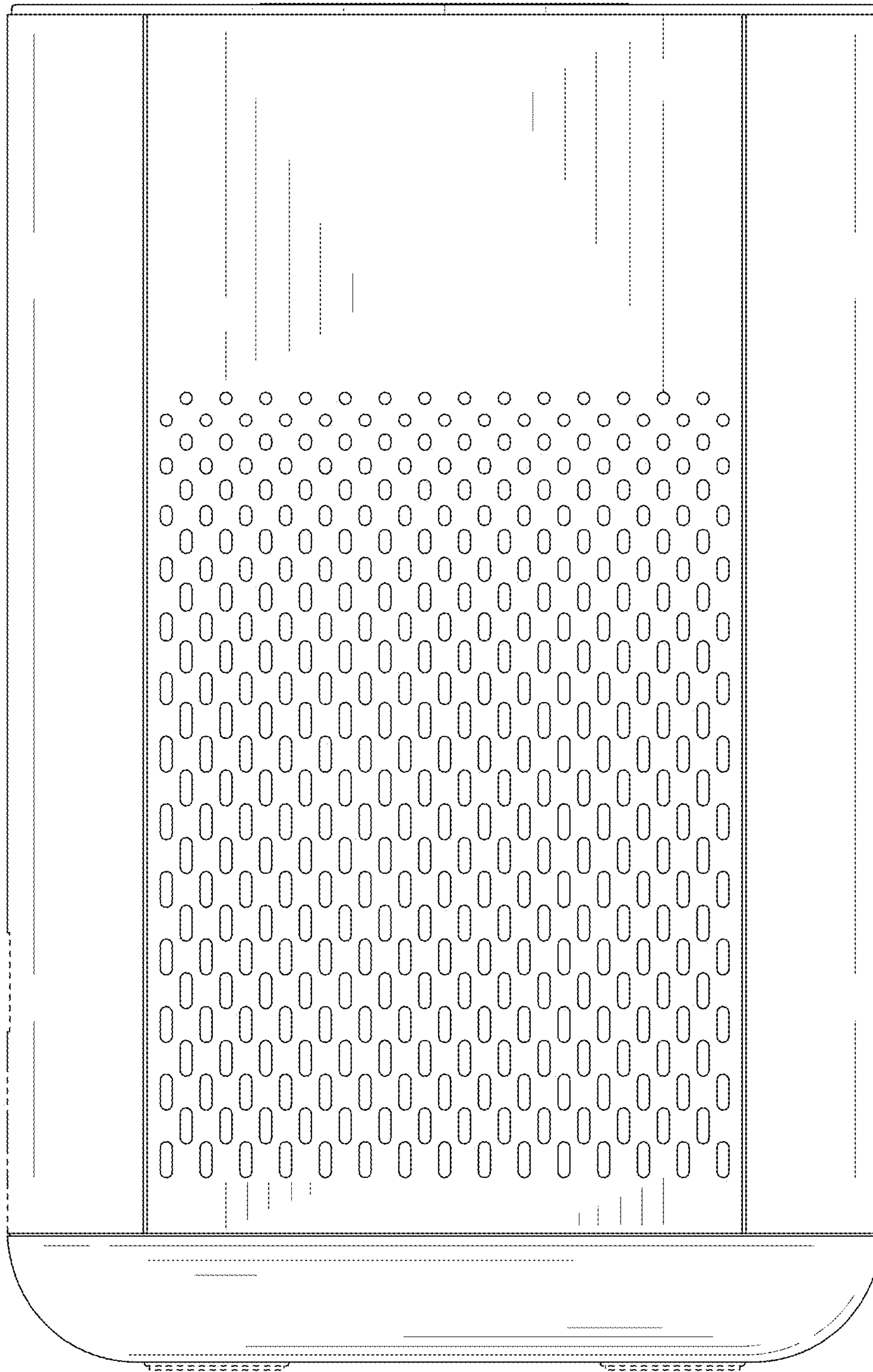


FIG. 3

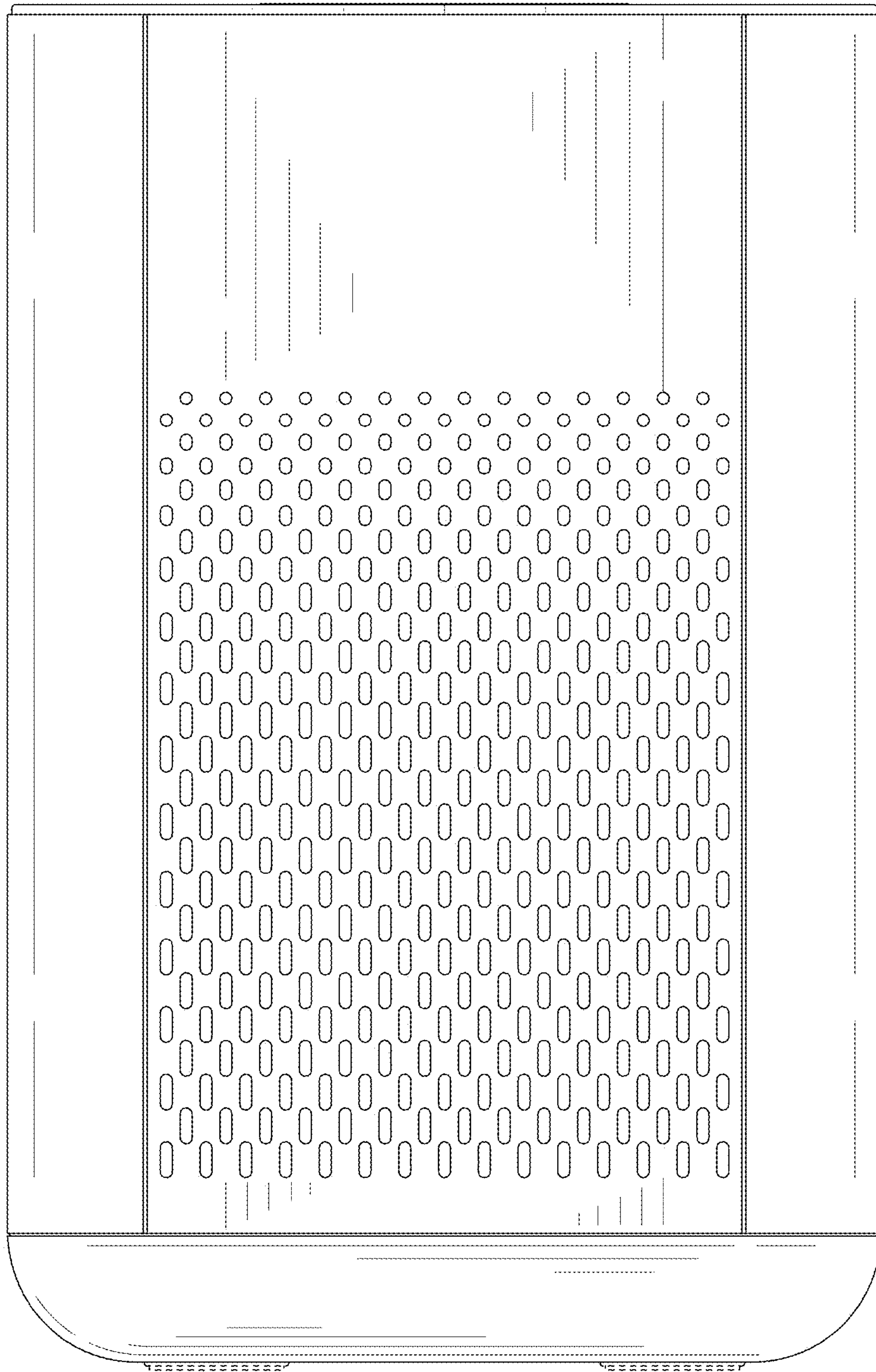


FIG.4

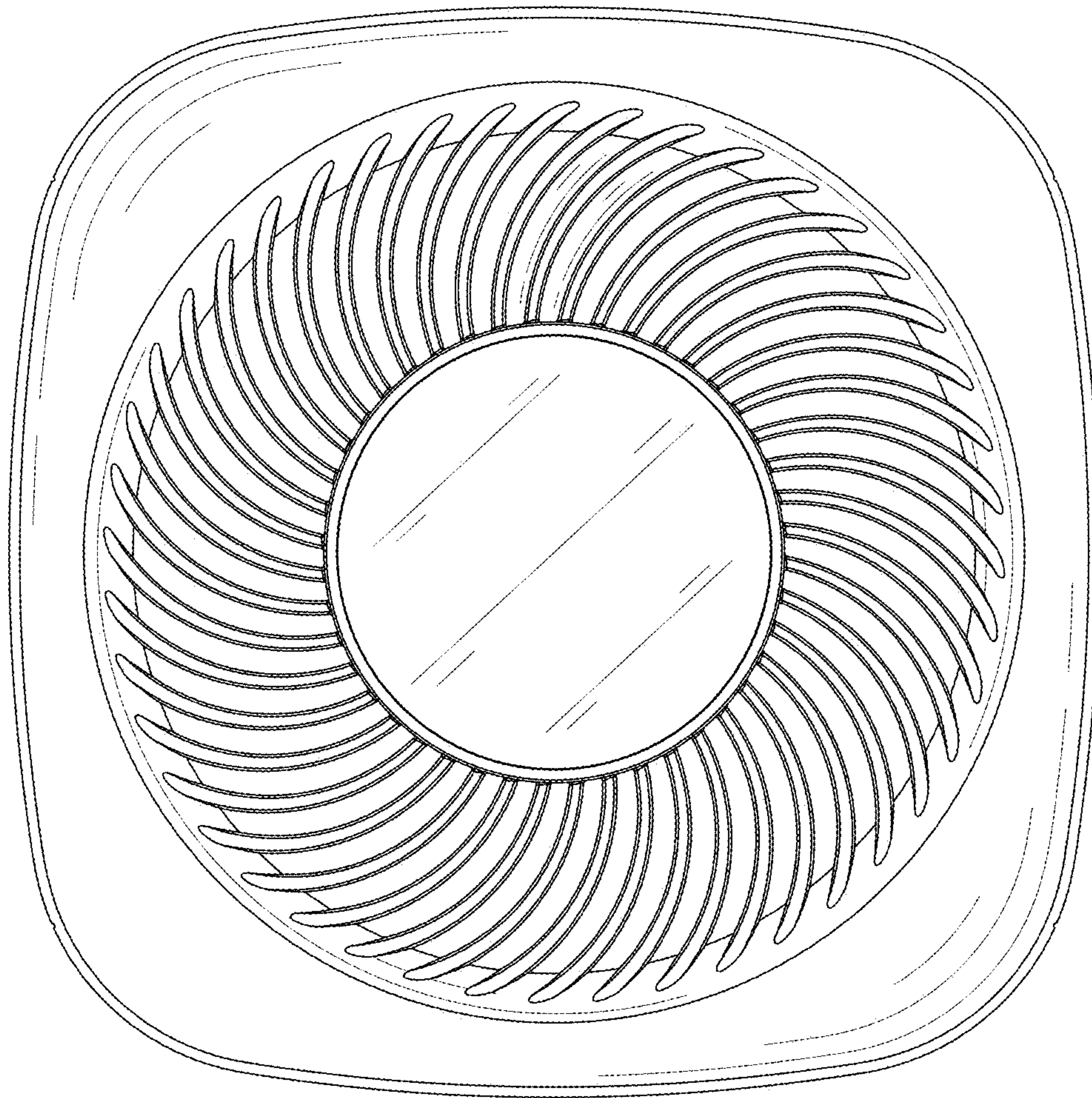


FIG.5

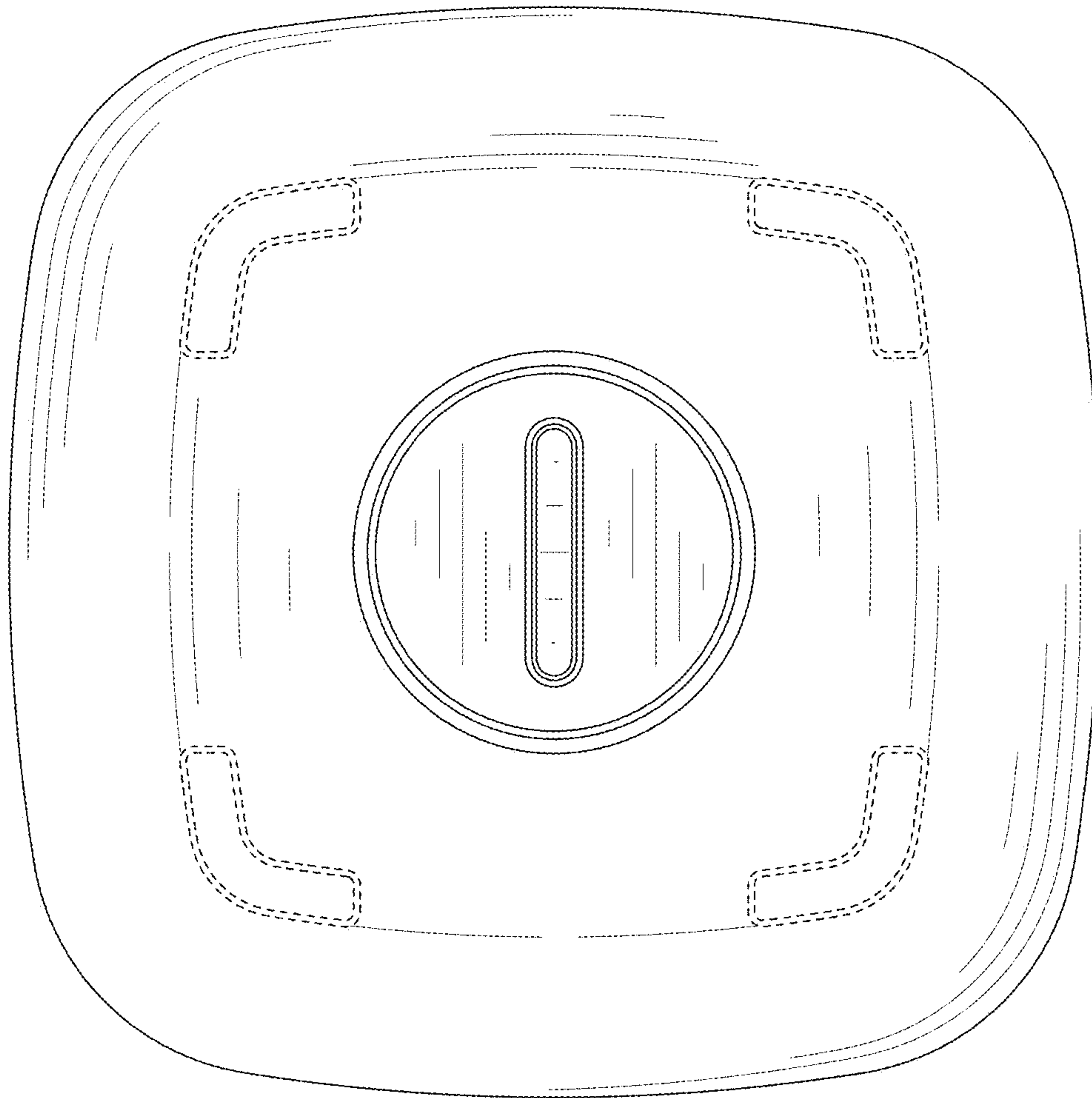


FIG.6

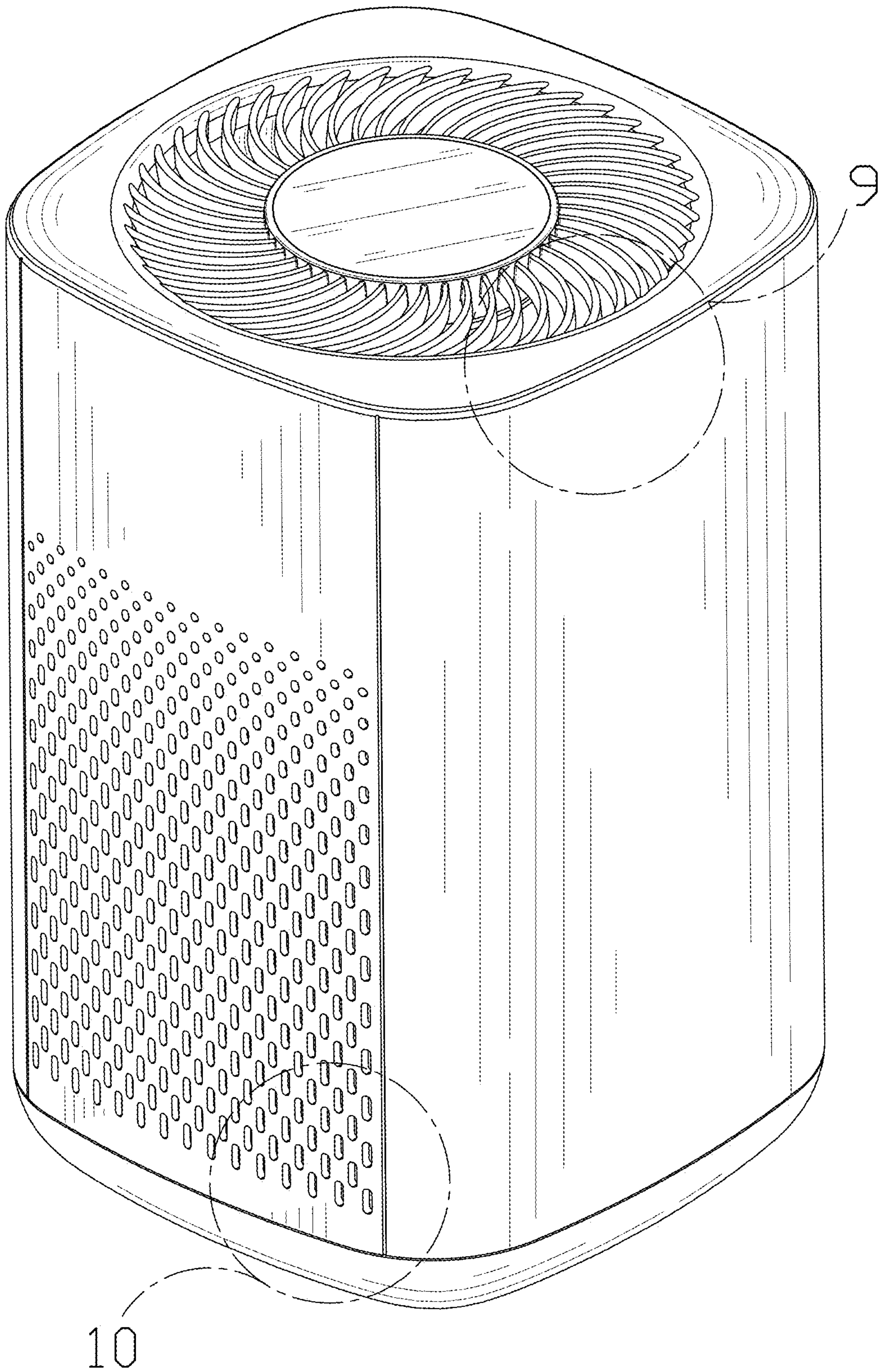


FIG. 7

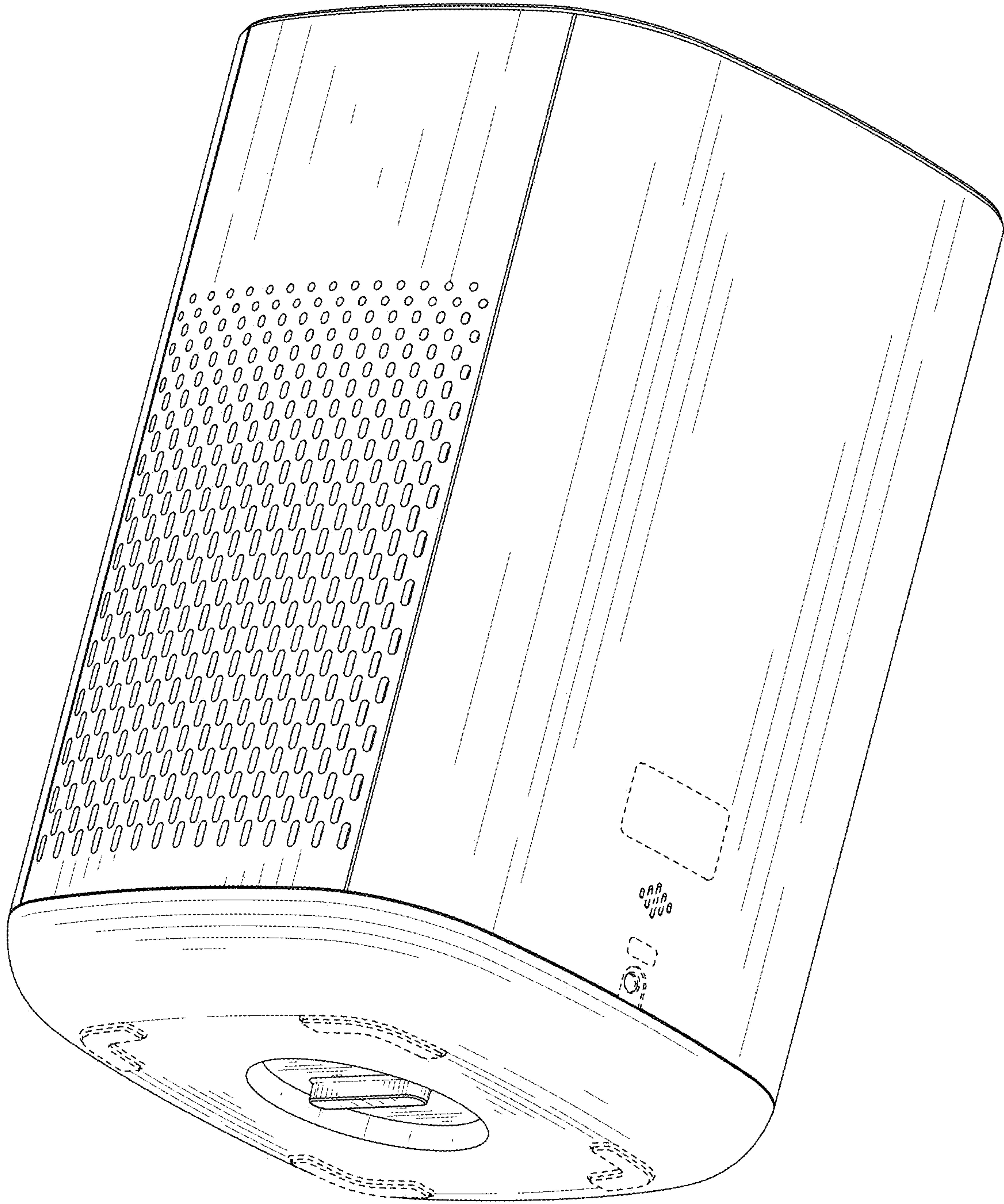


FIG. 8

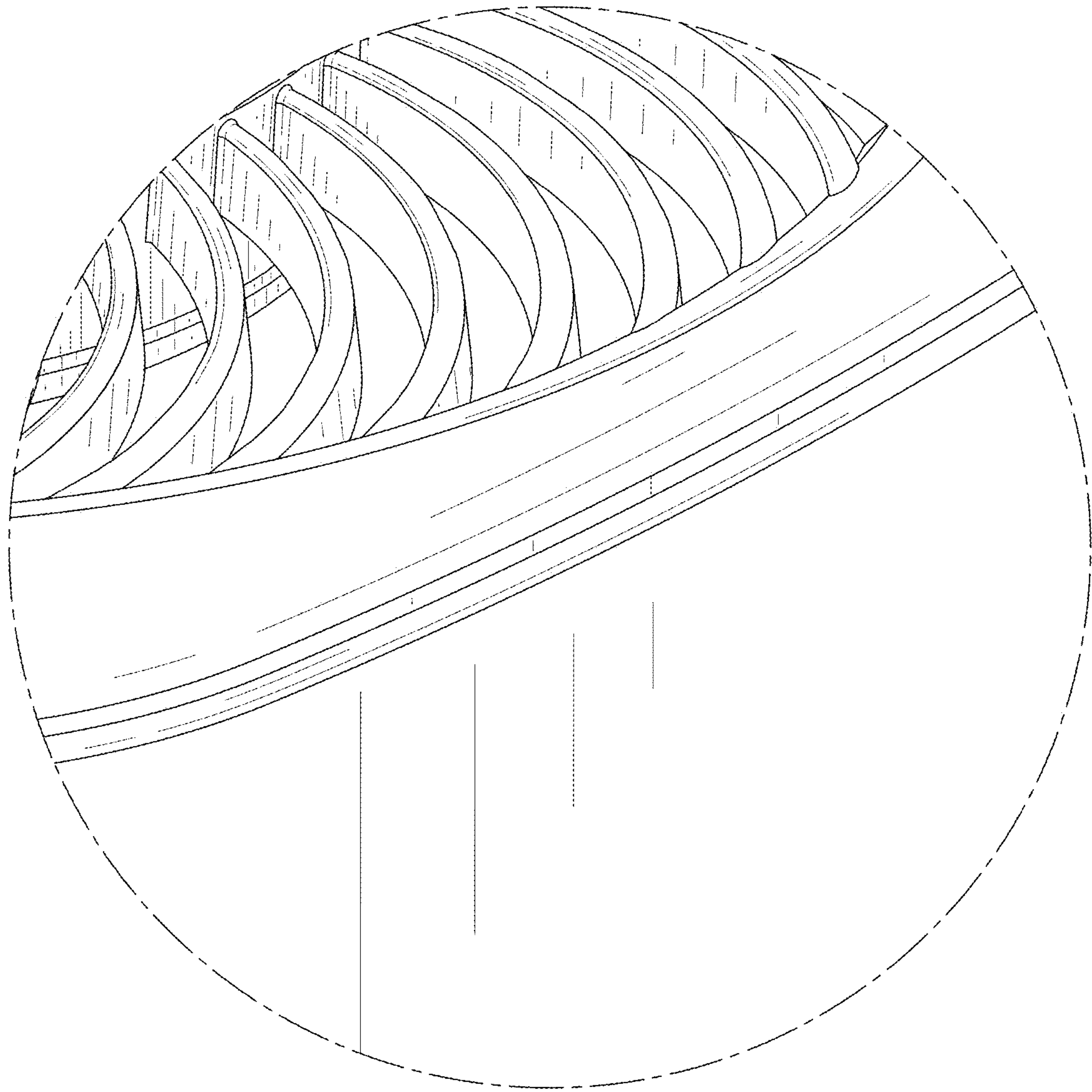


FIG. 9

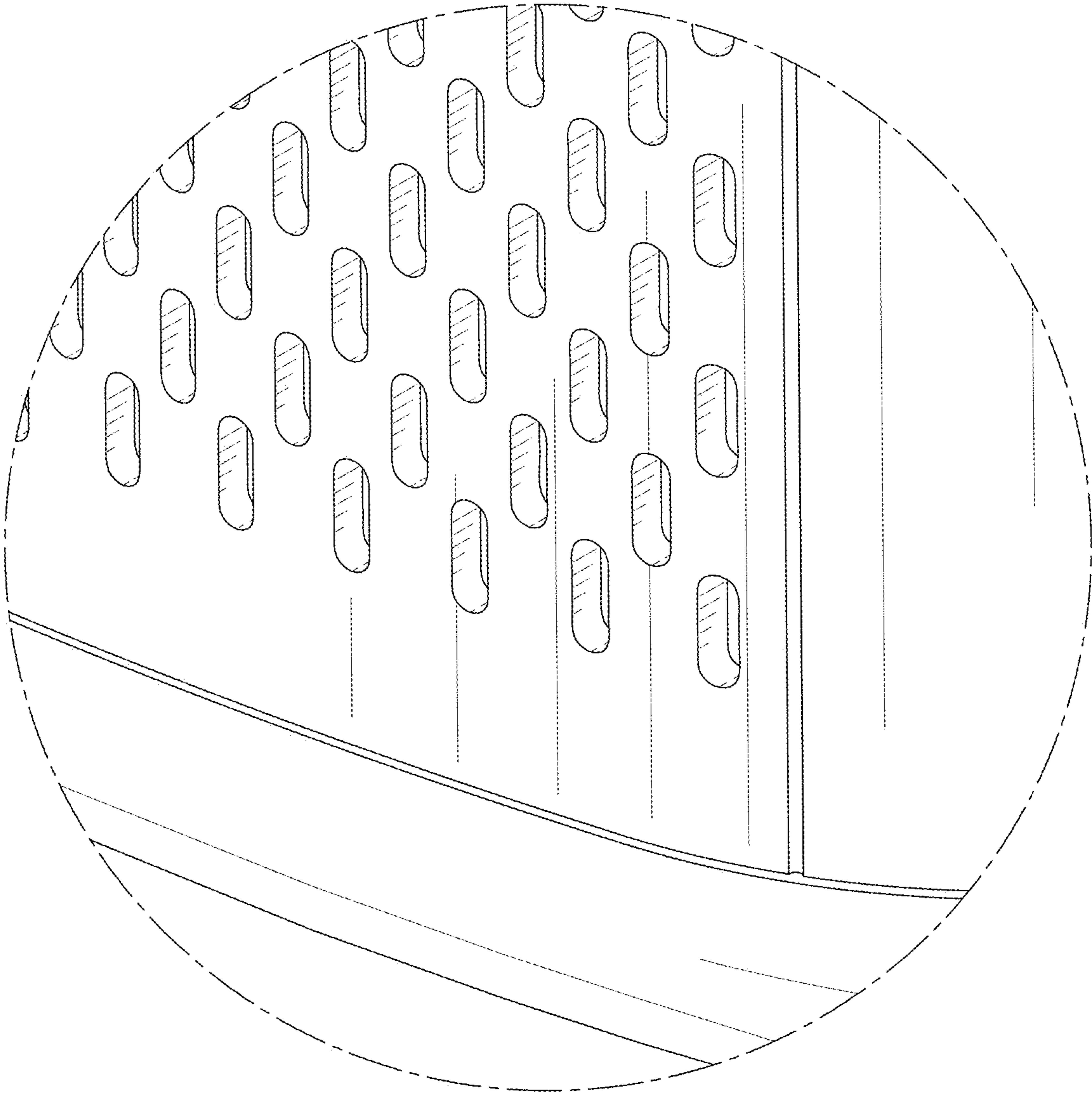


FIG.10