



US00D949310S

(12) **United States Design Patent** (10) **Patent No.:** **US D949,310 S**
Bajpai et al. (45) **Date of Patent:** **** Apr. 19, 2022**

(54) **ELECTRONIC VAPORIZER BASE**

D445,493 S 7/2001 Nystrom
D458,639 S 6/2002 Anderson
D460,545 S 7/2002 Hautmann
(Continued)

(71) Applicant: **Puff Corporation**, Los Angeles, CA
(US)

FOREIGN PATENT DOCUMENTS

(72) Inventors: **Avinash Bajpai**, Los Angeles, CA
(US); **Dane Wiedemann**, Los Angeles,
CA (US); **Roger Volodarsky**, Los
Angeles, CA (US)

BR DI6002906 3/2002
CN 303259701 6/2015
(Continued)

(73) Assignee: **PUFF CORPORATION**, Los Angeles,
CA (US)

OTHER PUBLICATIONS

(**) Term: **15 Years**

Puffco Peak web page located at planetvape.ca 2019.
(Continued)

(21) Appl. No.: **29/753,913**

Primary Examiner — David G Muller
(74) *Attorney, Agent, or Firm* — Bryan Cave Leighton
Paisner LLP

(22) Filed: **Oct. 5, 2020**

(51) **LOC (13) Cl.** **23-04**

(52) **U.S. Cl.**
USPC **D23/360**

(58) **Field of Classification Search**
USPC D23/355–366, 352, 369, 332, 333, 335,
D23/336, 342, 351; D27/162, 163, 167;
422/120, 122; 55/356, 473, 504; 96/97;
261/DIG. 17, DIG. 65, DIG. 88, DIG. 31
CPC .. A61L 9/16; A61L 9/22; B01D 47/00; B01D
47/027; B01D 2221/02; B01D 2259/4508;
B03C 3/155; B03C 3/368; F24F 3/16;
F24F 13/20; F24F 13/28
See application file for complete search history.

(57) **CLAIM**

The ornamental design for an electronic vaporizer base, as
shown and described.

DESCRIPTION

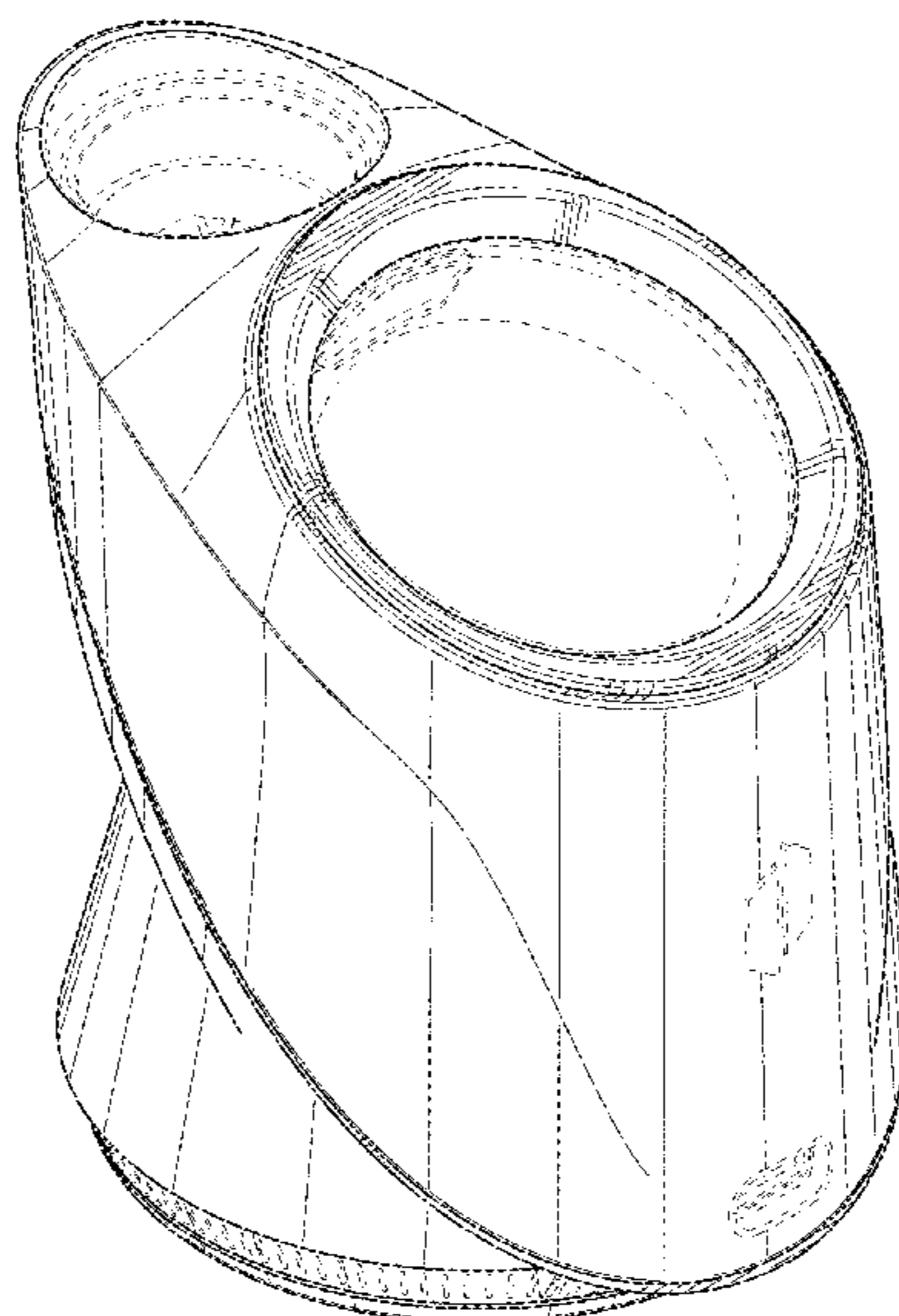
FIG. 1 is a front perspective view of our electronic vaporizer
base;
FIG. 2 is another front perspective view thereof;
FIG. 3 is a front elevational view thereof;
FIG. 4 is a rear elevational view thereof;
FIG. 5 is an elevational view of the right side thereof;
FIG. 6 is an elevational view of the left side thereof;
FIG. 7 is a top plan view;
FIG. 8 is a bottom plan view;
FIG. 9 is a bottom perspective view thereof; and,
FIG. 10 is another bottom perspective view thereof.
The broken lines immediately adjacent shaded surfaces
depict boundaries and form no part of the claim; all other
broken lines are for purposes of illustrating portions of the
electronic vaporizer base that form no part of the claimed
design.

(56) **References Cited**

U.S. PATENT DOCUMENTS

D232,355 S 8/1974 Wiedmann
D244,555 S 5/1977 Wiedmann
D246,600 S 12/1977 Kurata
D306,478 S 3/1990 von Philipp
4,960,206 A 10/1990 Johannes
D413,172 S 8/1999 Belschner
D427,691 S 7/2000 Asselta

1 Claim, 10 Drawing Sheets



(56)

References Cited

U.S. PATENT DOCUMENTS

D465,031 S 10/2002 Lodge
 D470,235 S 2/2003 Kumar
 D508,458 S 8/2005 Solland et al.
 D536,434 S 2/2007 DongSheng
 D543,312 S 5/2007 Guan
 D553,122 S 10/2007 Solland
 D558,193 S 12/2007 Ju
 D581,035 S 11/2008 Conway
 D581,905 S 12/2008 Solland
 D588,687 S 3/2009 Drucker
 D597,191 S 7/2009 Colombo
 D605,303 S 12/2009 Monks
 D608,879 S 1/2010 Colombo
 D613,389 S 4/2010 Jorgensen
 D613,390 S 4/2010 Jorgensen
 D613,624 S 4/2010 Bodum
 D634,832 S 3/2011 Abbondanzio
 D652,571 S 1/2012 Shenassa et al.
 8,179,245 B2 5/2012 Chander et al.
 D661,827 S 6/2012 Moetteli
 8,294,300 B2 10/2012 Cook et al.
 D670,578 S 11/2012 Perry
 D674,892 S 1/2013 Denton
 D675,308 S 1/2013 Freeborn
 D702,090 S 4/2014 Hogg
 D706,212 S 6/2014 Zwierstra et al.
 D709,624 S 7/2014 Baum
 D713,100 S 9/2014 Salgueiro
 D720,064 S 12/2014 Li
 D724,264 S 3/2015 Chambers
 D724,779 S 3/2015 Liu
 D728,155 S 4/2015 Liu
 D728,382 S 5/2015 Goswell
 D752,278 S 3/2016 Verleur
 D752,279 S 3/2016 Liu
 D752,280 S 3/2016 Verleur
 D757,647 S 5/2016 Engel
 D757,996 S 5/2016 Hua
 D769,519 S 10/2016 Chen
 D772,478 S 11/2016 Liu
 D774,247 S 12/2016 Chen
 D778,460 S 2/2017 Marechal
 D789,374 S 6/2017 King
 D790,122 S 6/2017 Hawes
 D792,645 S 7/2017 Fornarelli
 D796,433 S 9/2017 Langhammer et al.
 D800,383 S 10/2017 Verleur
 D801,545 S 10/2017 Wiesli
 D802,839 S 11/2017 Scott
 D806,941 S 1/2018 Hawes
 D809,190 S 1/2018 Schuler
 D810,015 S 2/2018 Carreon et al.
 D810,680 S 2/2018 Carreon et al.
 D811,931 S 3/2018 Yu
 D812,736 S 3/2018 Parker
 D813,448 S 3/2018 Servutas
 D814,103 S 3/2018 Levinson
 D818,638 S 5/2018 Wright
 D821,641 S 6/2018 Watson
 D823,534 S 7/2018 Chen
 D824,586 S 7/2018 Fornarelli
 D825,844 S 8/2018 Verleur et al.
 D827,149 S 8/2018 Self
 D827,152 S 8/2018 Ou
 D828,623 S 9/2018 Fornarelli
 D830,536 S 10/2018 White
 D833,030 S 11/2018 Sasano
 10,117,462 B2* 11/2018 Johnson A24F 40/50
 D837,999 S 1/2019 Sasano
 D839,446 S 1/2019 Sasano
 10,211,658 B2 2/2019 Bonwit et al.
 D844,441 S 4/2019 DeMarco
 D847,419 S 4/2019 Hawes
 D848,673 S 5/2019 Xu
 D849,318 S 5/2019 Deng et al.

10,321,714 B1 6/2019 Kane
 D861,149 S * 9/2019 Crafoord D23/364
 D865,933 S * 11/2019 Oh D23/364
 D867,657 S 11/2019 Fornarelli
 D870,375 S 12/2019 Patil
 10,517,334 B1 12/2019 Volodarsky et al.
 D873,831 S 1/2020 DePaolo et al.
 D875,676 S 2/2020 Segev
 D887,540 S * 6/2020 Bhardwaj D23/360
 D892,043 S 8/2020 Raghunathan
 D897,282 S 9/2020 Ye et al.
 D898,990 S * 10/2020 Liu D27/162
 D921,285 S * 6/2021 Liu D27/167
 D925,715 S * 7/2021 Chen D23/356
 D925,820 S * 7/2021 Gibson D27/162
 11,064,738 B2* 7/2021 Rosen H05B 3/141
 D927,055 S * 8/2021 Opp D27/162
 D930,132 S * 9/2021 Jin D23/356
 D935,686 S * 11/2021 Liang D27/162
 D937,481 S * 11/2021 Cordova D27/163
 2009/0071481 A1 3/2009 Fishman
 2010/0104993 A1 4/2010 Ryser
 2013/0319437 A1 12/2013 Liu
 2014/0083441 A1 3/2014 Kaplani
 2014/0290677 A1 10/2014 Liu
 2015/0015182 A1 1/2015 Brandtman et al.
 2015/0122275 A1 5/2015 Wu
 2015/0165137 A1 6/2015 Mullinger et al.
 2015/0188339 A1 7/2015 Green et al.
 2015/0257444 A1 9/2015 Chung
 2015/0320116 A1 11/2015 Bleloch
 2016/0015082 A1 1/2016 Liu
 2016/0219937 A1 8/2016 Rado
 2016/0302486 A1 10/2016 Eroch
 2016/0366936 A1 12/2016 Liu
 2017/0027224 A1 2/2017 Volodarsky et al.
 2017/0027230 A1 2/2017 Fornarelli
 2017/0055579 A1 3/2017 Kuna
 2017/0055588 A1 3/2017 Cameron
 2017/0064994 A1 3/2017 Xu
 2017/0079324 A1 3/2017 Eksouzian
 2017/0105451 A1 4/2017 Fornarelli
 2017/0202265 A1 7/2017 Hawes et al.
 2017/0251718 A1 9/2017 Armoush
 2017/0295845 A1 10/2017 Bajpai et al.
 2018/0098569 A1 4/2018 Martin
 2018/0125115 A1 5/2018 Mueller
 2018/0271150 A1 9/2018 Sparklin
 2019/0000138 A1 1/2019 Han
 2019/0014822 A1 1/2019 Bless et al.
 2019/0037921 A1 2/2019 Kennedy et al.
 2019/0089184 A1 3/2019 Mininger et al.
 2019/0109497 A1 4/2019 Yang et al.
 2019/0116884 A1 4/2019 Conley et al.
 2019/0174825 A1 6/2019 Neuhaus
 2020/0031237 A1 1/2020 Colafrancesco et al.
 2020/0183335 A1 6/2020 Mininger et al.

FOREIGN PATENT DOCUMENTS

CN 205285006 6/2016
 CN 304205433 7/2017
 CN 107529827 1/2018
 CN 109275961 1/2019
 CN 208798698 4/2019
 DE 40010509 1/2001
 DE 102016012830 8/2017
 ES D0518135 11/2013
 FR 960094 5/1996
 MX 22818 5/2007
 WO 2020161570 8/2020

OTHER PUBLICATIONS

Puff Co., Peak Atomizer Assembly posted on Instagram retrieved from www.instagram.com/p/BfMk5MKIBp1/ Feb. 14, 2018.
 Puff Co., Peak Video posted on Instagram retrieved from www.instagram.com/p/Bd-oaEkFrXC/ Jan. 15, 2018.

(56)

References Cited

OTHER PUBLICATIONS

Puff Co. Glass Attachment Video posted on Instagram retrieved from www.instagram.com/p/Bd3DfMRIWLo/ Jan. 12, 2018.

Puff Co., Puffco Peak Case posted on Instagram retrieved from www.instagram.com/p/Bd027vflYzM/ Jan. 11, 2018.

Puff Co., Puffco Peak Video posted on Instagram retrieved from www.instagram.com/p/BdtMs4qlHnH/ Jan. 8, 2018.

Puff Co., Puffco Peak Hero Shot posted on Instagram retrieved from www.instagram.com/p/BdybEMAI_zX/ Jan. 10, 2018.

Pax Labs, Inc., web page of vaporizers, retrieved from www.paxvapor.com Feb. 25, 2015.

Puffco Peak by Sneaky Pete Vaporizers, found online May 31, 2019, located at www.youtube.com/watch?v=7W7zX9LCxoQ Apr. 23, 2018.

Koerber, B., This weed company just made a smart bong and it's awesome, Mashable, located at mashable.com/2018/01/08/puffco-peak-smart-bong-dab-rig-concentrates/ Jan. 8, 2018.

Tarantola, A., The Puffco Peak vaporizer is a quick hit of concentrated genius, Engadget, located at www.engadget.com/2018/03/16/puffco-peak-vaporizer-hands-on/?guccounter=1 Mar. 18, 2018.

Puff Co., Reservations are now open for Peak Atomizer Assembly, retrieved from web.archive.org/web/20180224162936/https://www.puffco.com/ Feb. 24, 2018.

Engadget, Hands on Peak, retrieved from web.archive.org/web/20180330221034/https://www.engadget.com/2018/03/16/puffco-peak-vaporizer-hands-on/ Mar. 31, 2018.

Puff Co., Introducing the Peak, retrieved from vimeo.com/257080728 Feb. 28, 2018.

Dr. Dabber, Vaporizers for sale, retrieved from <https://web.archive.org/web/20170222202821/https://drdabbervaporizersforsale.weebly.com/> Feb. 22, 2017.

Dr. Dabber, Boost: Black Edition retrieved from www.drdabber.com/products/boost-black-edition 2019.

Dr. Dabber, Boost Black Edition retrieved from www.drdabber.com/collections/all/products/boost-black-edition 2019.

Source Vapes, web page for Atomizers, retrieved from www.sourcevapes.com 2019.

Source Vapes, web page for Atomizers, retrieved from www.sourcevapes.com/collections/atomizers Feb. 16, 2016.

Vapexhale, Give the gift of relaxation, retrieved from www.xhl3.com Nov. 27, 2017.

Vapexhale, web page for starter kits, retrieved from www.xhl3.com 2019.

Cloud V Enterprises, Cloud V Bubbler Options, retrieved from cloudvapes.com/vaporizers/portable-enail/cloudv-electro-portable-dab-rig 2019.

Cloud V Enterprises, Ultra Slim Design Vaporizers, retrieved from cloudvapes.com/store/ Jan. 21, 2013.

Cloud V Enterprises, Cloud V, retrieved from cloudvapes.com/store/ Feb. 22, 2016.

Dabado Vaporizers, web page for Dabado Bolt, retrieved from dabadovaporizers.com/collections/bolts 2019.

Dabado Vaporizers, web page for Dabado Bolt, retrieved from dabadovaporizers.com Jan. 1, 2016.

Kevin H., Focusvape Tourist Review—The Accidental Tourist, retrieved from vapesterdam.com/review/focusvape-tourist-review/ 2019.

Focus Vape, web page of vaporizers, retrieved from focusvape.eu/shop/ Jul. 17, 2017.

Pax Labs, Inc., Pax 3, retrieved from paxvapor.com 2019.

Waxxim, Vape Pen Bubblers shopping page, retrieved from www.waxxim.com 2019.

Patent Cooperation Treaty, International Search Report for PCT/US2019/013501, 6 pages dated Oct. 10, 2019.

Polar Bottle, Sport Cap, retrieved from polarbottle.com/product/bottles/free-replacement-cap/sport/ on Nov. 1, 2019 2019.

Lock & Lock, Lock & Lock, No BPA, Water Tight, Food Container, 2.5-cup, 20-oz, HPL933, retrieved from www.amazon.com/Water-Tight-Container-2-5-cup-HPL933/dp/B005BRGWZE on Nov. 1, 2019 Oct. 2014.

Smokea, Piecemaker Kahuna 2 in. Silicone Bong, retrieved from <https://smokea.com/products/piecemaker-kahuna-2-silicone-bong?variant=37965420929> on Nov. 1, 2019 Jun. 2018.

Osprey, Hydraulics Bite Valve, retrieved from <https://www.osprey.com/us/en/product/hydraulics-bite-valve-NONMAGVALV.html> on Nov. 1, 2019 Apr. 2013.

Bray, Flowtek Triad Series, retrieved from www.bray.com/ball-valves/3-piece-valves/triad-series on Nov. 1, 2019 Mar. 2017.

SourceVape.ca, PuffcoPeak, retrieved from planetvape.ca/puffco-peak.html Nov. 21, 2019.

DHgate.com, SOC Enail Kit 2600mAh Capacity For Very Long Lasting And 4 Led Heat Settings VS Puffco The Lucid Lighting Peak, retrieved from dhgate.com/product/soc-enail-kit-2600mah-capacity-for-very-long/479400626.html Nov. 21, 2019.

Shenzhen Slinya Electronic Co Ltd., Crystal Qi Wireless Charging Pad For Iphone 6 6s Plus Samsung Galaxy S7 S6 /Nexus 6/ HTC 8X Smart Phone Wireless Charger, retrieved Nov. 30, 2020.

Kwmobile Store, Kwmobile Charging Station—5V 1.3A Charger With Micro USB Cable—Docking Station Compatible With IQOS 2.4/2.4 Plus Holder E-Cigarette, retrieved Nov. 30, 2020.

Otter Products, LLC OtterSpot Wireless Charging System, retrieved from bit.ly/3rIrvLf 2020.

Mophie Powerstation Wireless—External Battery Charger for Qi Enabled Devices (10,000mAh)—Black, retrieved from www.amazon.com/dp/B01JCIJ2PO?tag=androidcentralb-20&ascsubtag=UUacUdUnU73790YYwYg 2020.

MOMA Design Store, Lexon Oblio Wireless Charging Station & UV Sanitizer, retrieved from store.moma.org/tech/featured/lexon-pop-up/lexon-oblio-wireless-charging-station-uv-sanitizer/11451.html 2020.

PhoneSoap, PhoneSoap Go, retrieved from www.phonesoap.com/products/phonesoap-go 2020.

Nomad Goods, Inc., Nomad Charging Hub 5 Port Edition, retrieved from www.amazon.com/Nomad-charging-Powers-devices-indicators/dp/B075747DM4 2020.

Spansive, Spansive Source Multi Device Wireless Charging Station—Compatible with iPhone 11 Pro Max 11 Pro 11 Xs Max XR XS X 8 8 Plus (White), retrieved from www.amazon.com/Spansive-Source-Device-Wireless-Charger/dp/B07YXCVRJ9 2020.

* cited by examiner

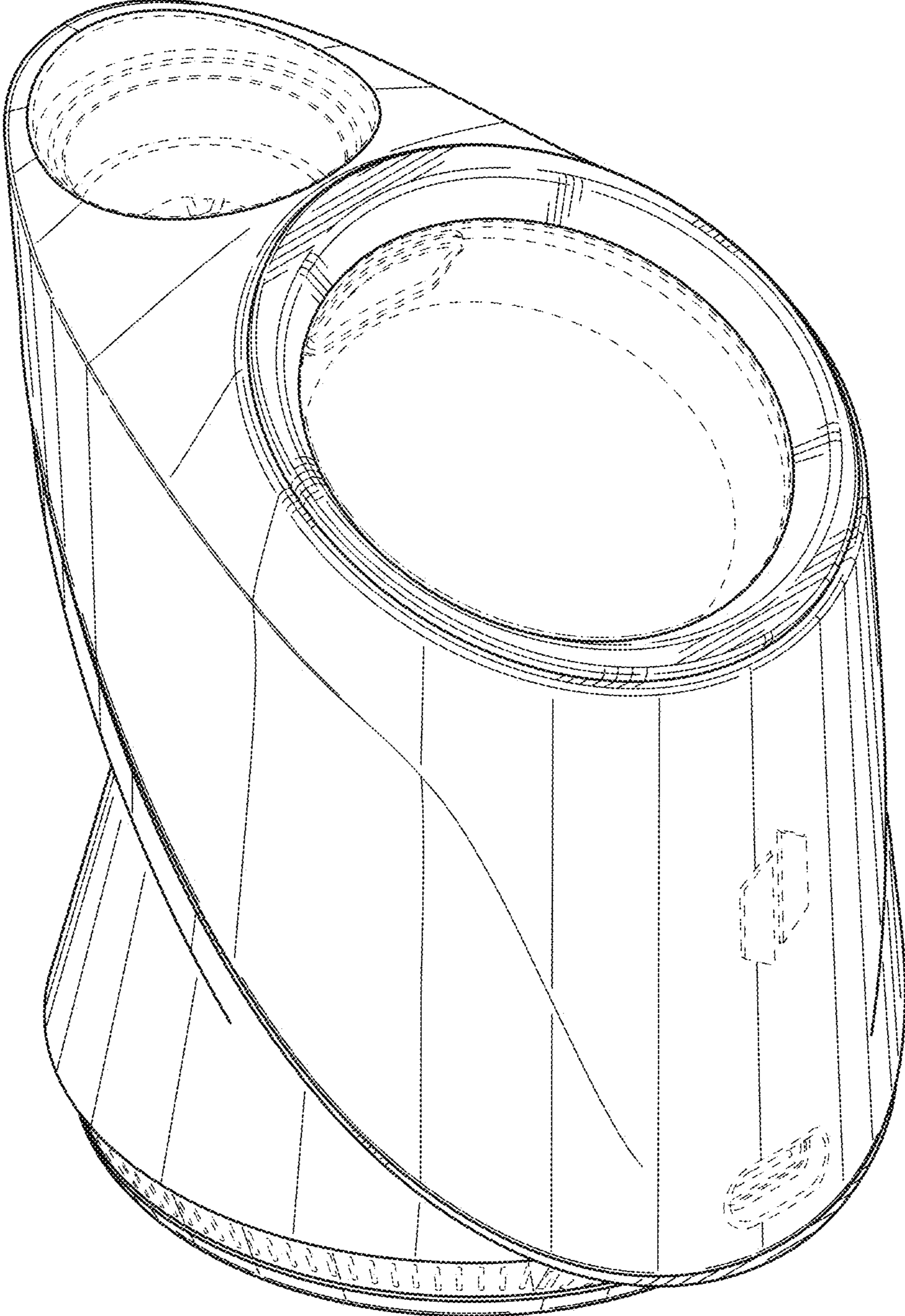


FIG. 1

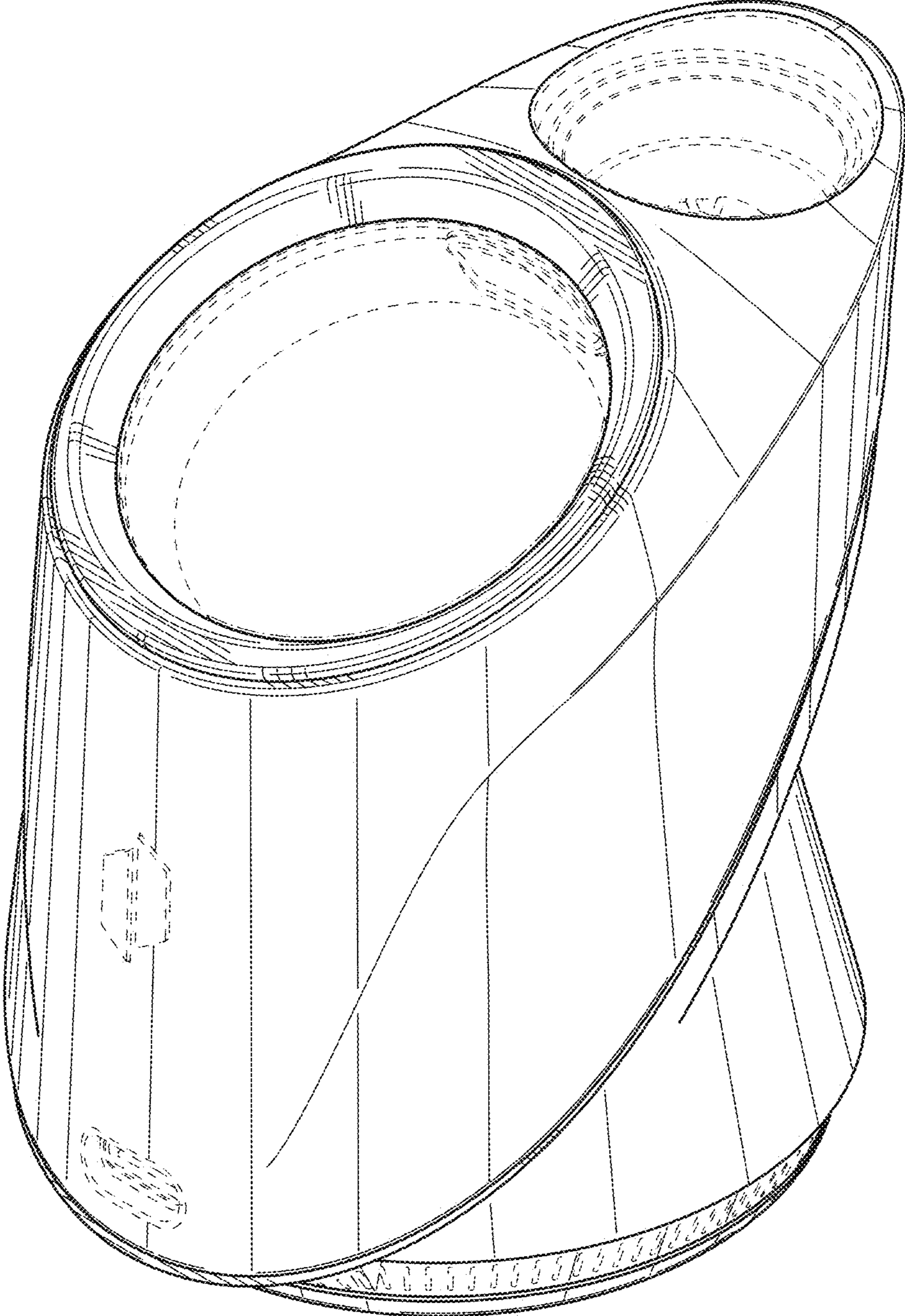


FIG. 2

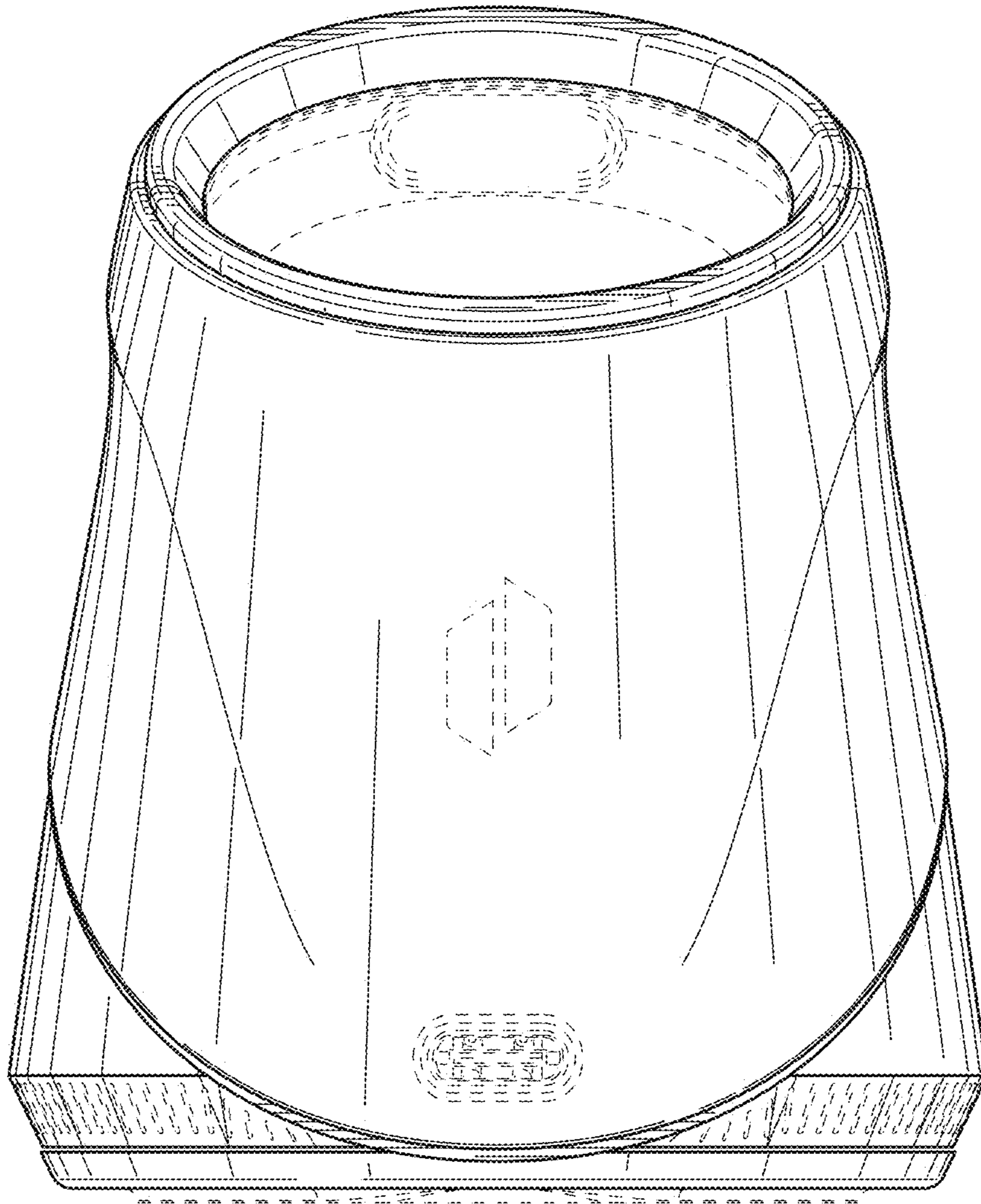


FIG. 3

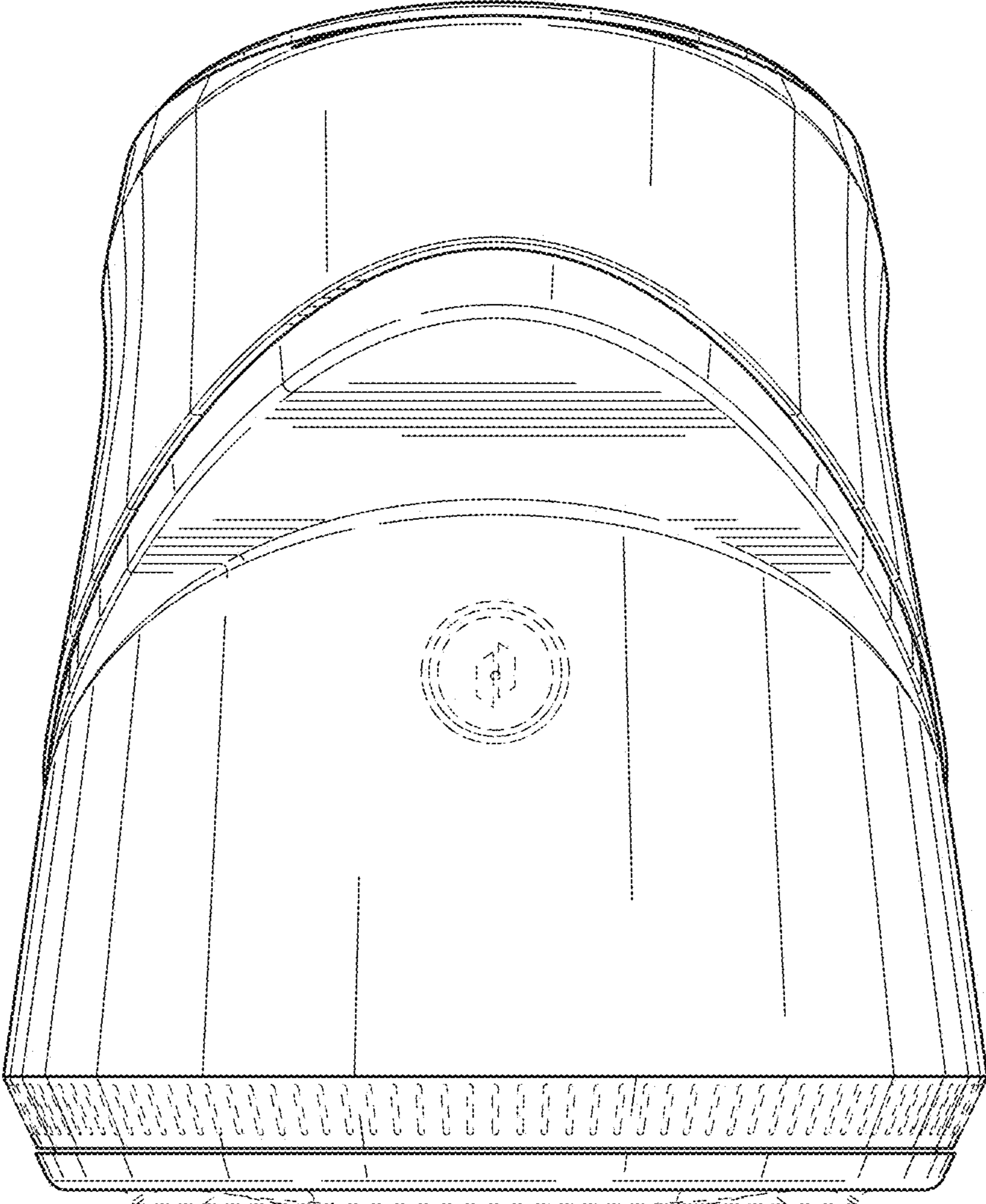


FIG. 4

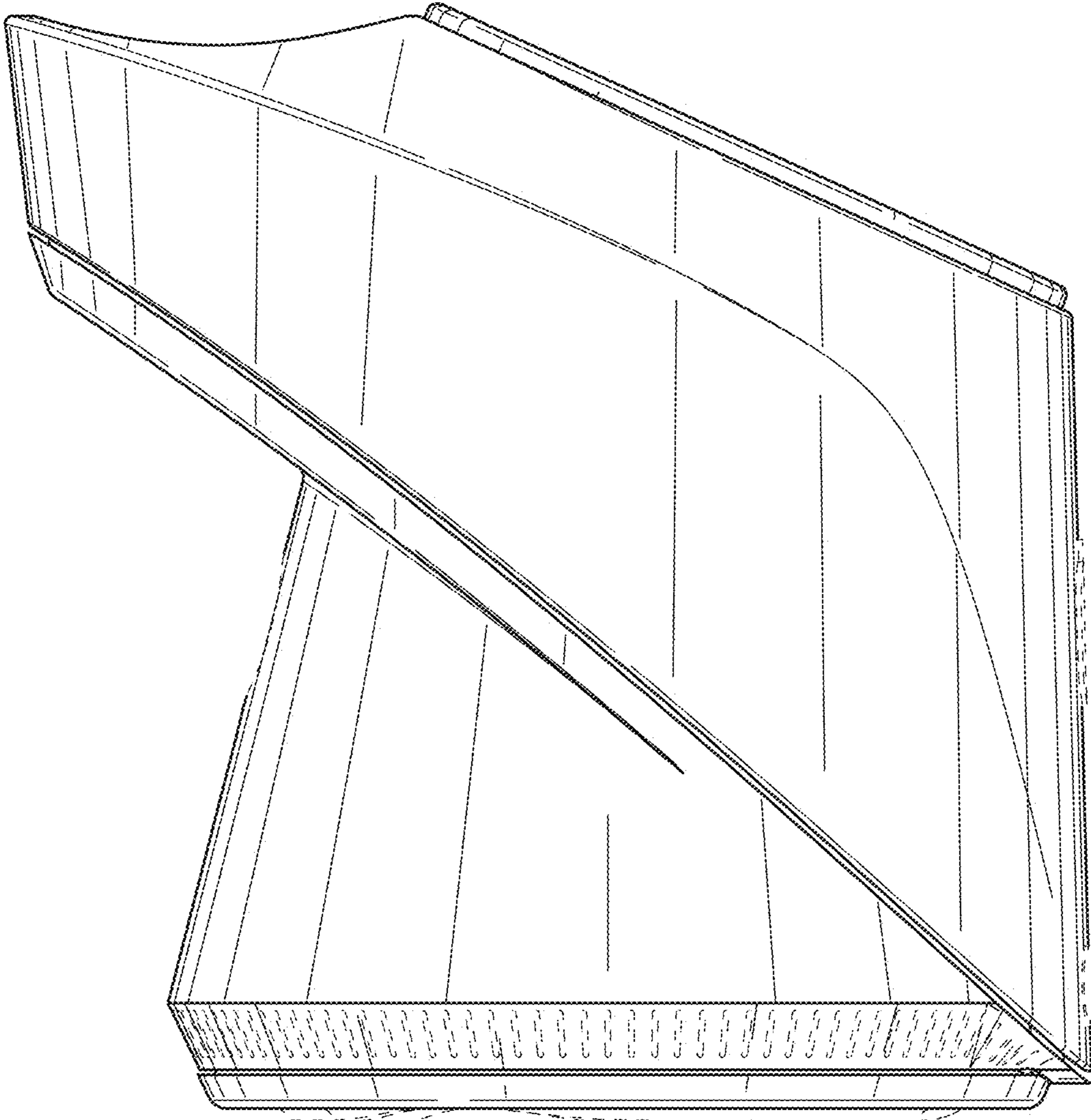


FIG. 5

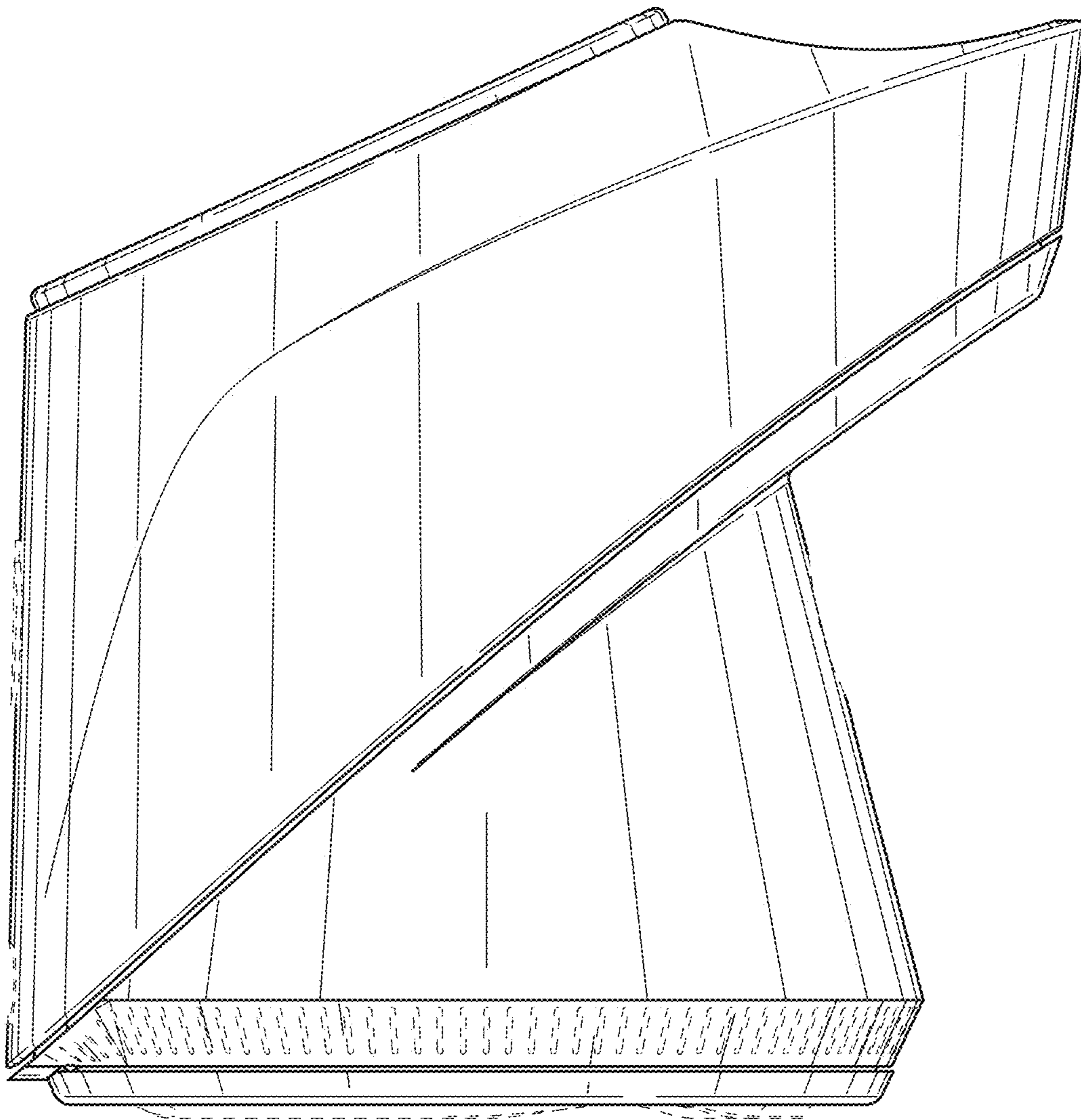


FIG. 6

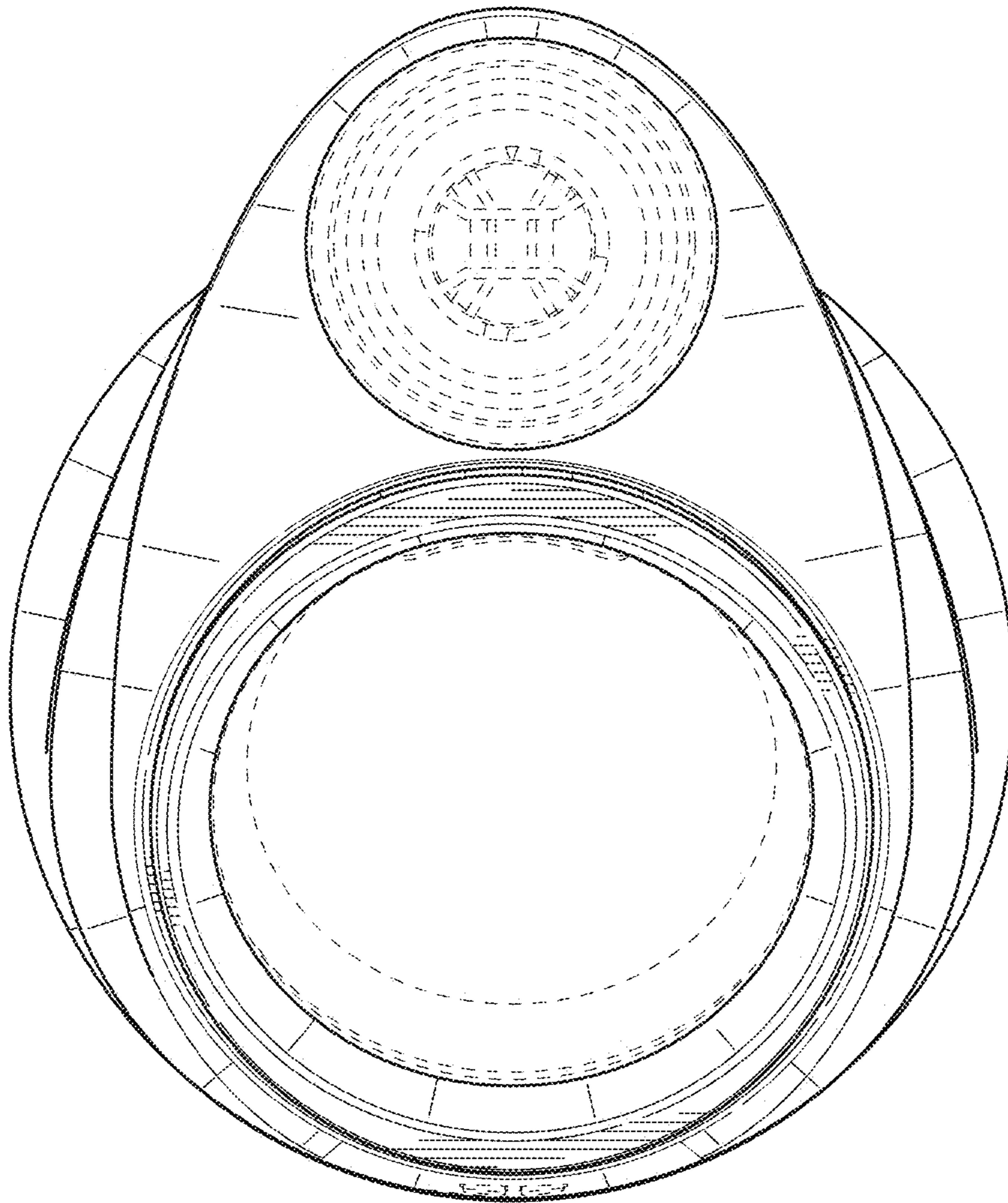


FIG. 7

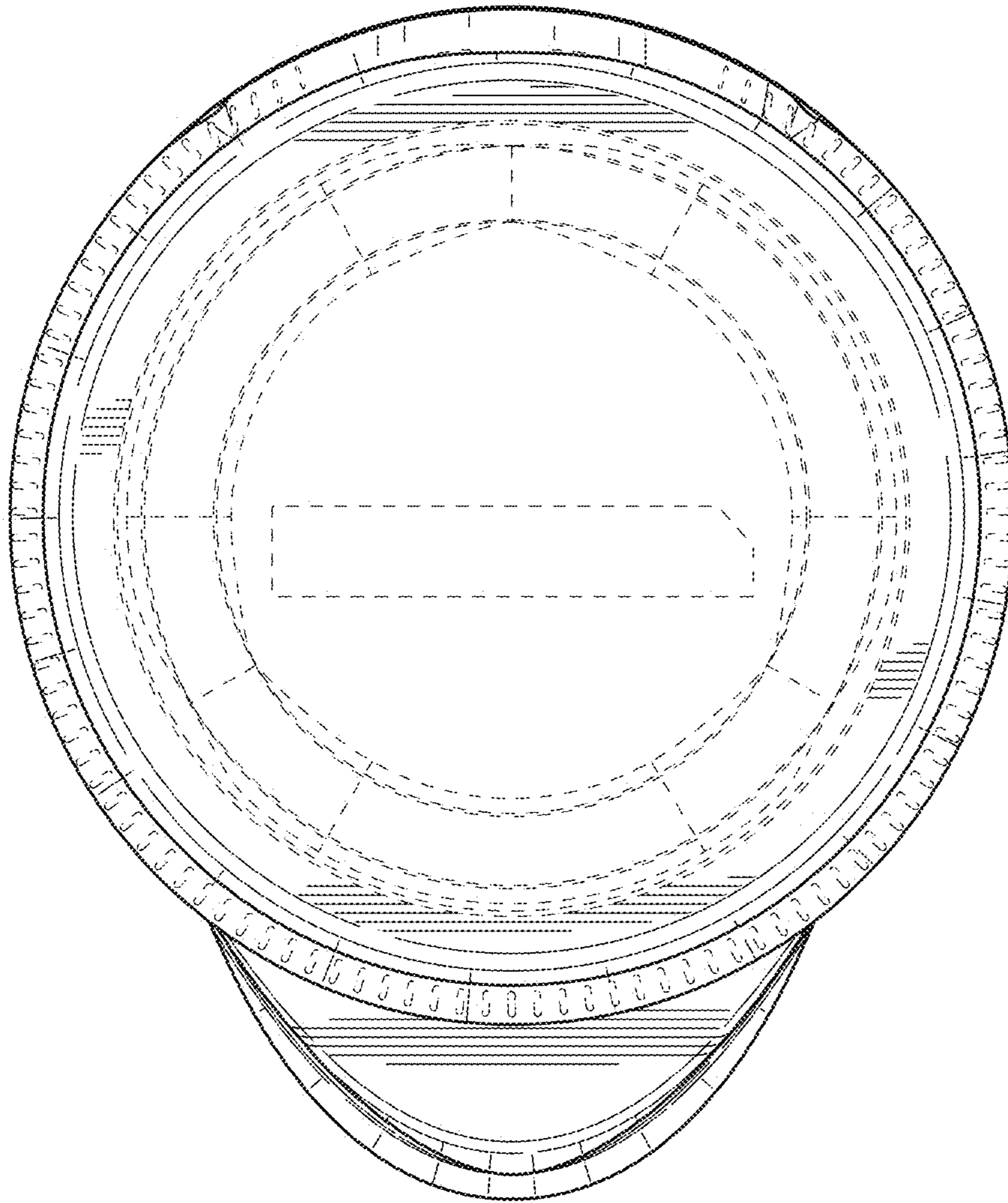


FIG. 8

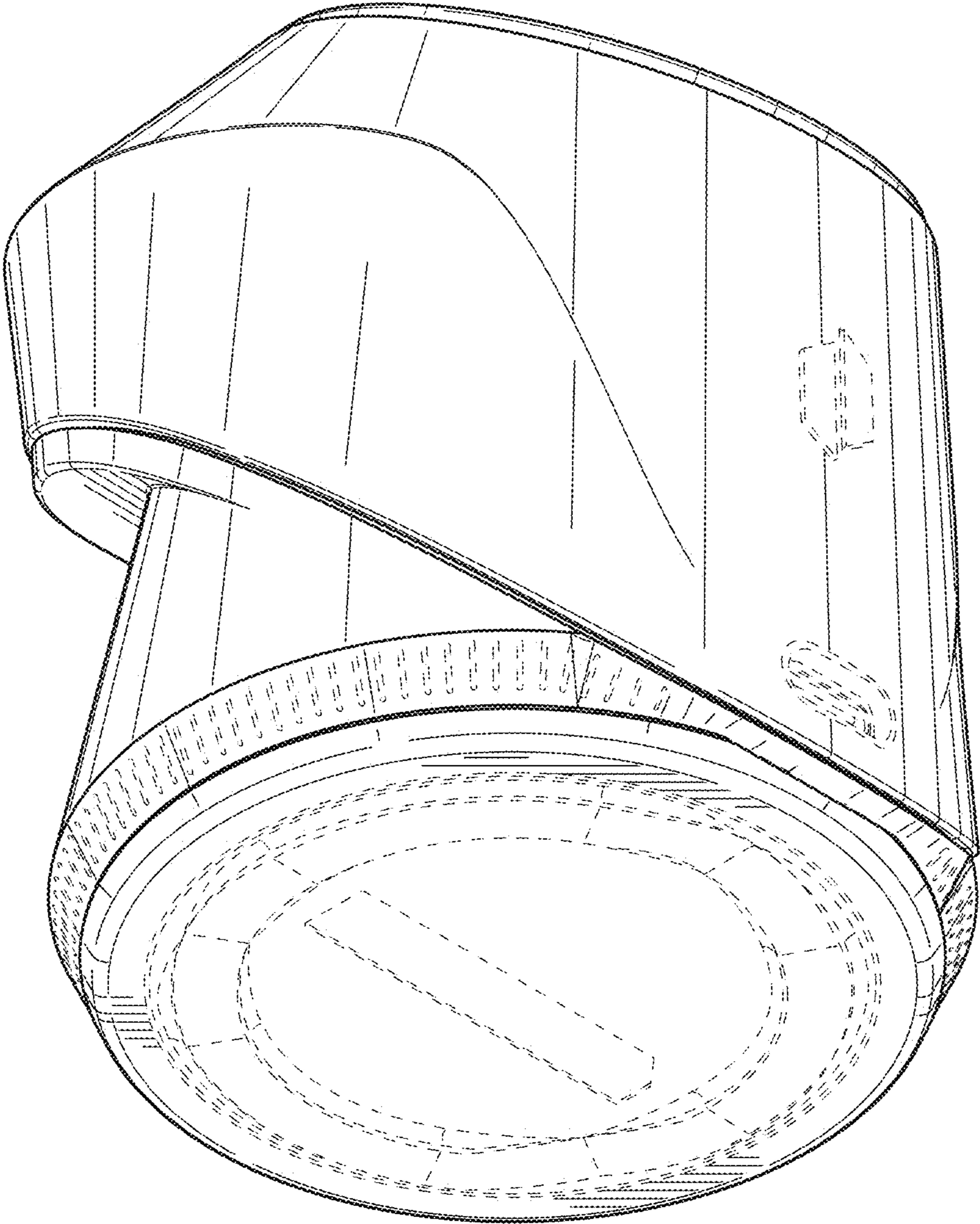


FIG. 9

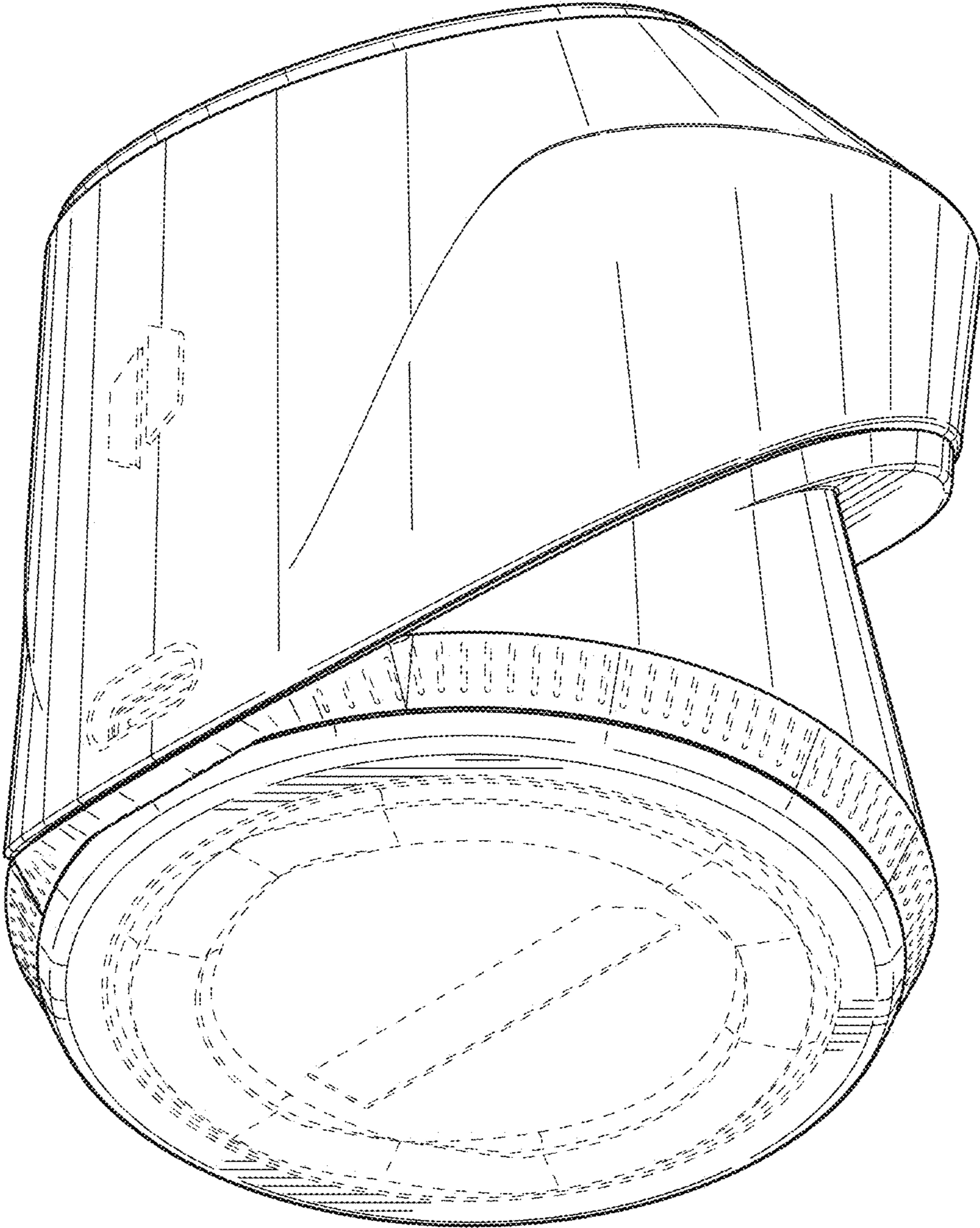


FIG. 10