



US00D949306S

(12) **United States Design Patent** (10) **Patent No.:** **US D949,306 S**
Zemer (45) **Date of Patent:** **** Apr. 19, 2022**

(54) **MAGNETIC PANEL FOR AIR CONDITIONER**

(71) Applicant: **TADIRAN CONSUMER AND TECHNOLOGY PRODUCTS LTD.**,
Petah Tikva (IL)

(72) Inventor: **Boaz Zemer**, Tel Aviv (IL)

(73) Assignee: **TADIRAN CONSUMER AND TECHNOLOGY PRODUCTS LTD.**,
Petah Tikva (IL)

(**) Term: **15 Years**

(21) Appl. No.: **35/510,665**

(22) Filed: **May 20, 2020**

(80) **Hague Agreement Data**

Int. Filing Date: **May 20, 2020**
Int. Reg. No.: **DM/210817**
Int. Reg. Date: **May 20, 2020**
Int. Reg. Pub. Date: **Oct. 30, 2020**

(30) **Foreign Application Priority Data**

Nov. 20, 2019 (IL) 64423

(51) **LOC (13) Cl.** **23-04**

(52) **U.S. Cl.**
USPC **D23/351**

(58) **Field of Classification Search**
USPC D23/333, 351, 354, 388; D14/172, 188,
D14/194, 203.3, 204, 219, 221, 240, 257,
D14/258, 349, 356, 358, 371, 432, 435,
D14/439
CPC F24F 1/00; F24F 1/0007; F24F 1/02; F24F
1/08; F24F 1/42; F24F 1/56; F24F 1/60;
F24F 3/044; F24F 3/048; F24F 3/16;
G05D 23/1905; G05D 23/1932; G05D
23/1902; G05D 23/1931

See application file for complete search history.

(56) **References Cited**

U.S. PATENT DOCUMENTS

D568,312 S * 5/2008 Wang D14/356
D726,295 S * 4/2015 Kim D23/351
D762,290 S * 7/2016 Jepson D23/342
D772,386 S * 11/2016 Kim D23/351
D772,387 S * 11/2016 Choi D23/354
D846,721 S * 4/2019 Gan D23/351

(Continued)

Primary Examiner — Michael A. Pratt

(74) *Attorney, Agent, or Firm* — Roach Brown McCarthy
& Gruber, PC; Kevin D. McCarthy

(57) **CLAIM**

The ornamental design for a magnetic panel for air conditioner, as shown and described.

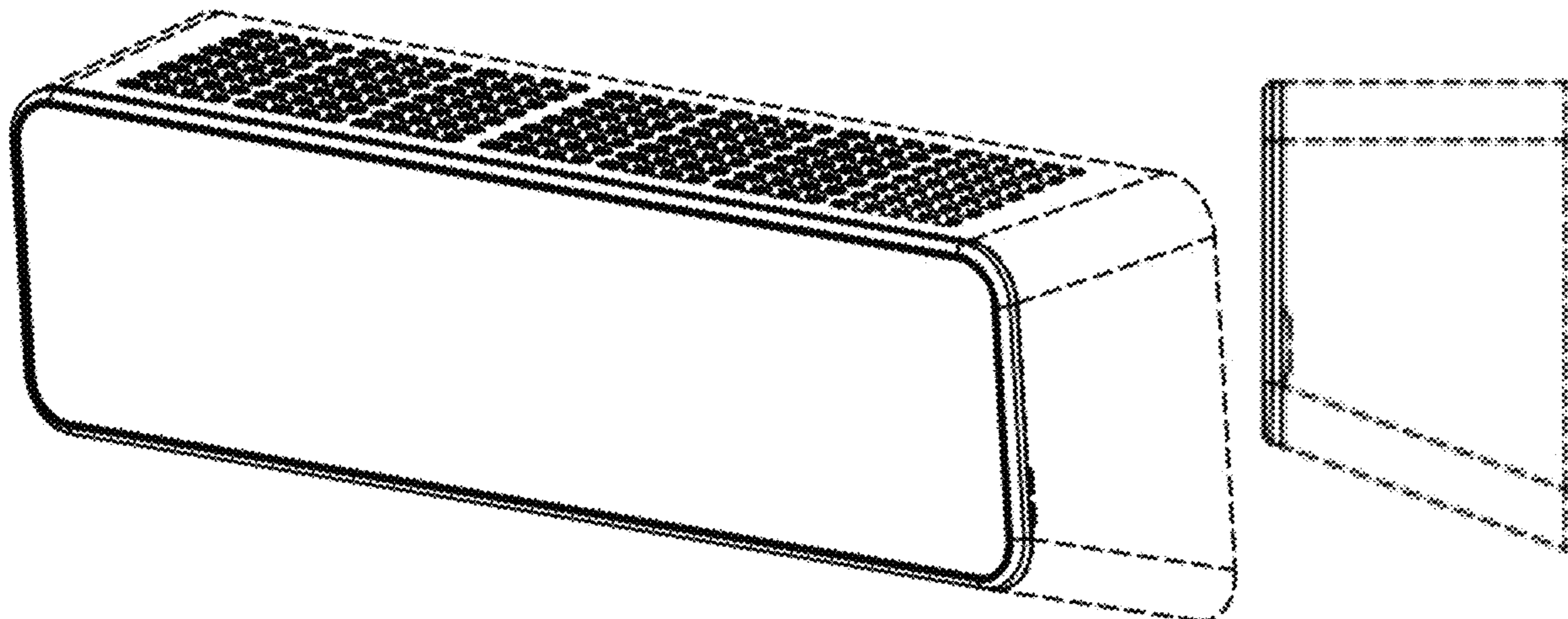
DESCRIPTION

1. Magnetic panel for air conditioner

- 1.1 : Perspective
- 1.2 : Perspective
- 1.3 : Front
- 1.4 : Back
- 1.5 : Right
- 1.6 : Left
- 1.7 : Top
- 1.8 : Bottom

Fig. 1.1 is a top perspective view of the magnetic panel for air conditioner; Fig. 1.2 is a bottom perspective view of the magnetic panel for air conditioner; Fig. 1.3 is a front view of the magnetic panel for air conditioner; Fig. 1.4 is a rear view of the magnetic panel for air conditioner; Fig. 1.5 is a right view of the magnetic panel for air conditioner; Fig. 1.6 is a left view of the magnetic panel for air conditioner; Fig. 1.7 is a top view of the magnetic panel for air conditioner; Fig. 1.8 is a bottom view of the magnetic panel for air conditioner; The broken lines in the drawings illustrate the environment of the magnetic panel for air conditioner which forms no part of the claimed design.

1 Claim, 8 Drawing Sheets



(56)

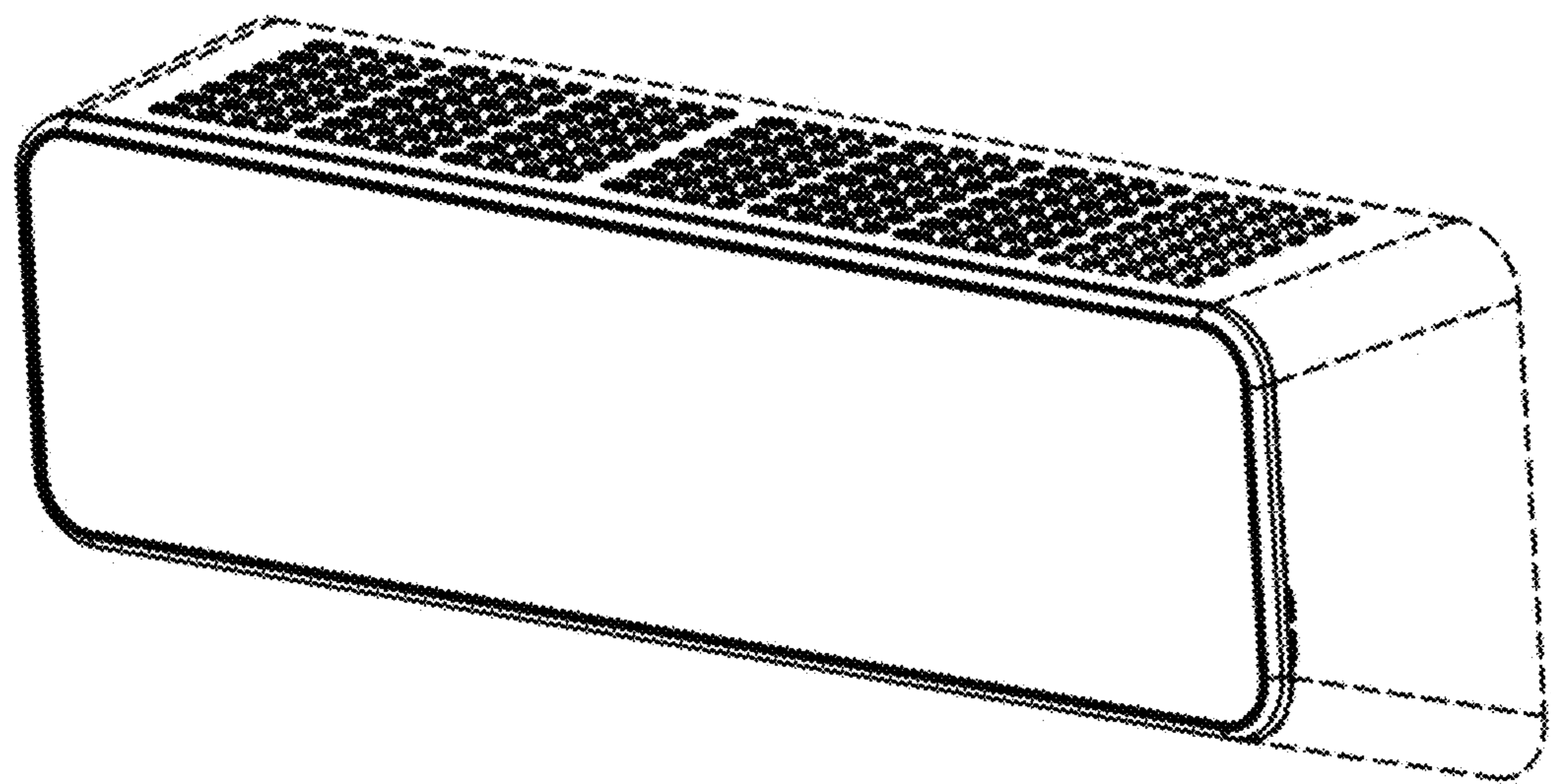
References Cited

U.S. PATENT DOCUMENTS

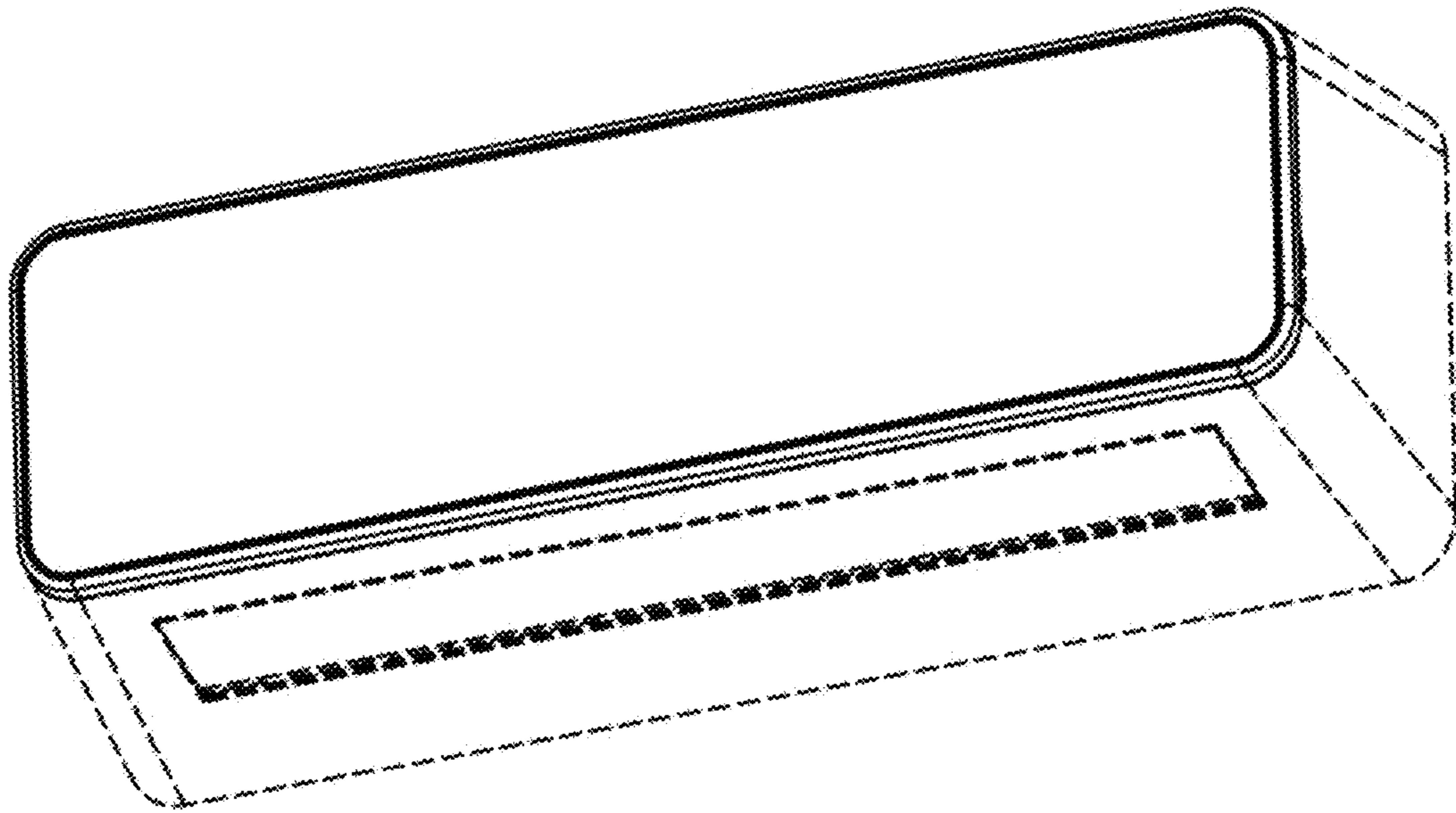
D847,313 S *	4/2019	Shen	D23/333
D847,317 S *	4/2019	Shin	D23/351
D847,319 S *	4/2019	Yang	D23/351
D894,146 S *	8/2020	Chen	H02G 3/14 D14/140.2
D905,026 S *	12/2020	Cueto	D14/240
D909,548 S *	2/2021	Lee	D23/333
D909,554 S *	2/2021	Ikegaya	D23/351
D910,155 S *	2/2021	Lee	D23/333
D919,778 S *	5/2021	Sato	D23/351
D930,801 S *	9/2021	Uemura	D23/351

* cited by examiner

1.1



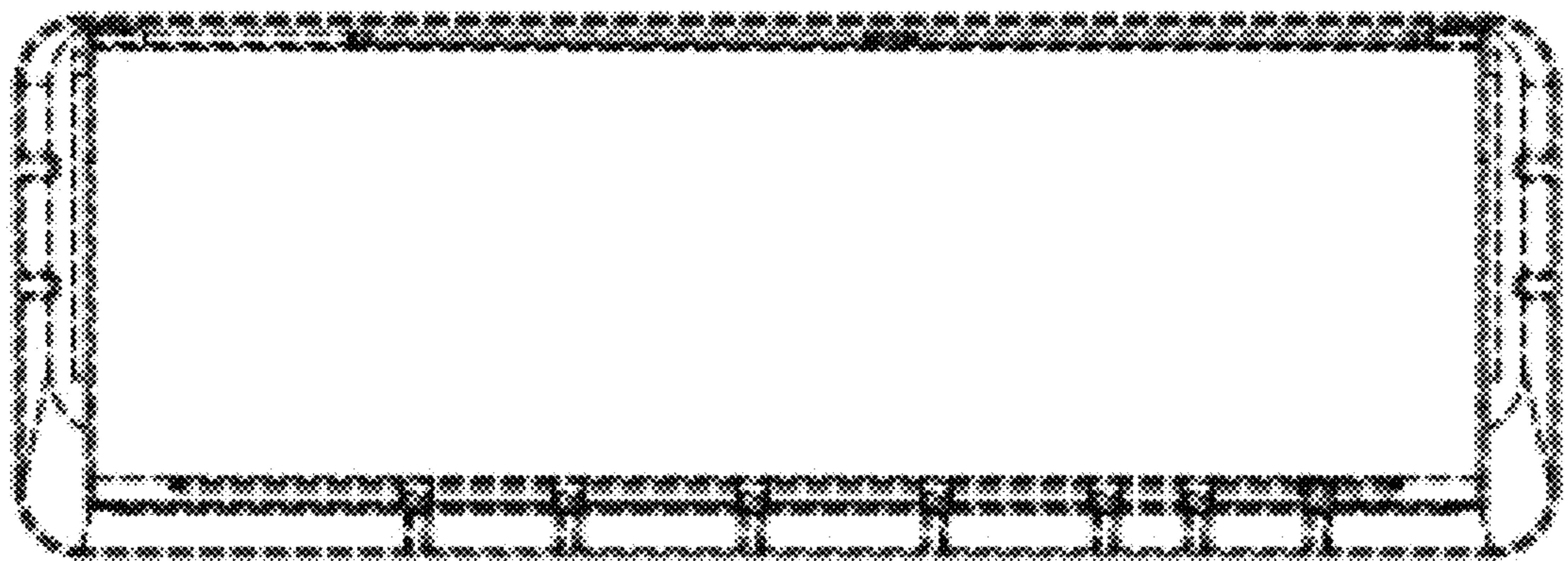
1.2



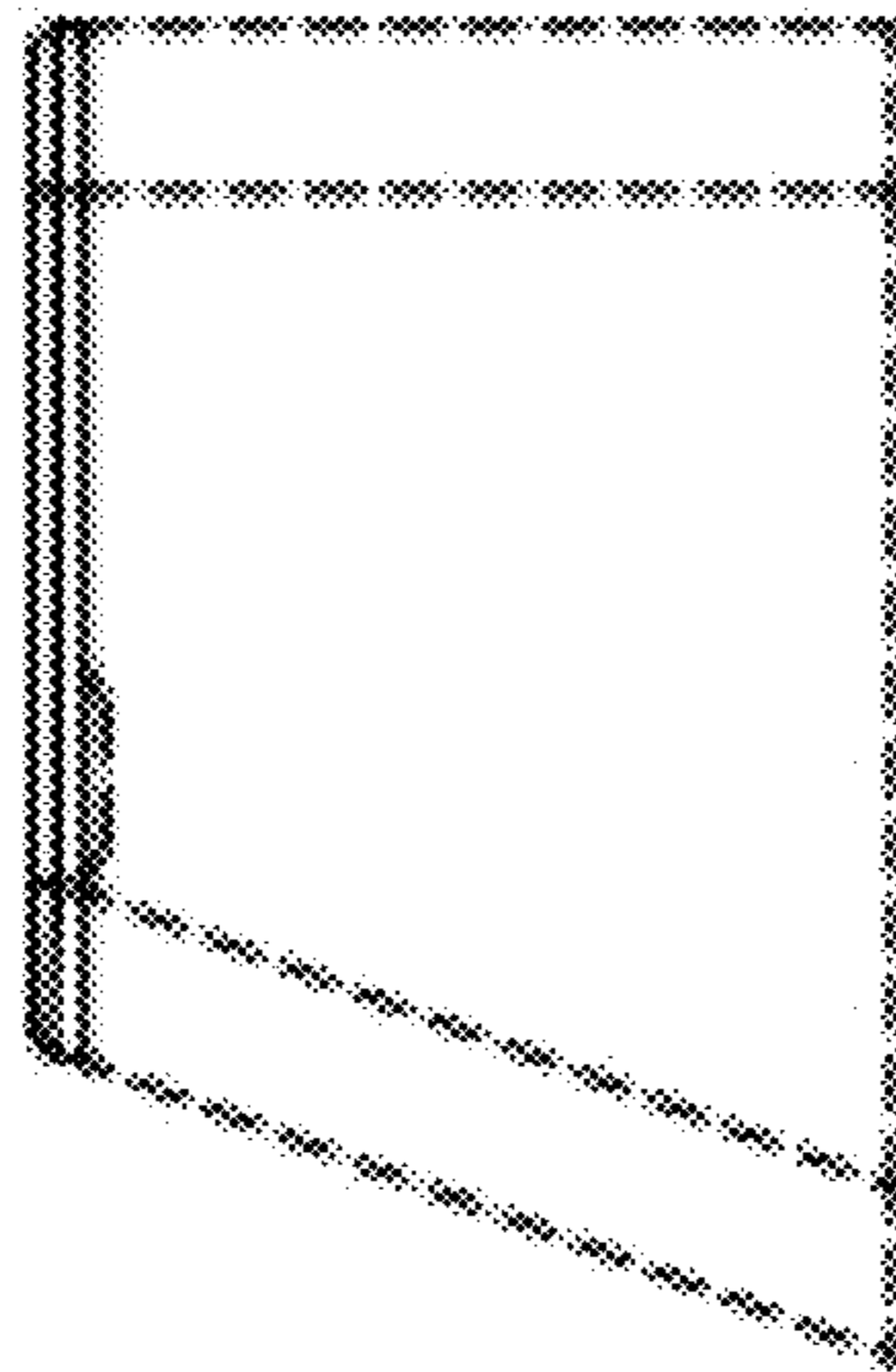
1.3



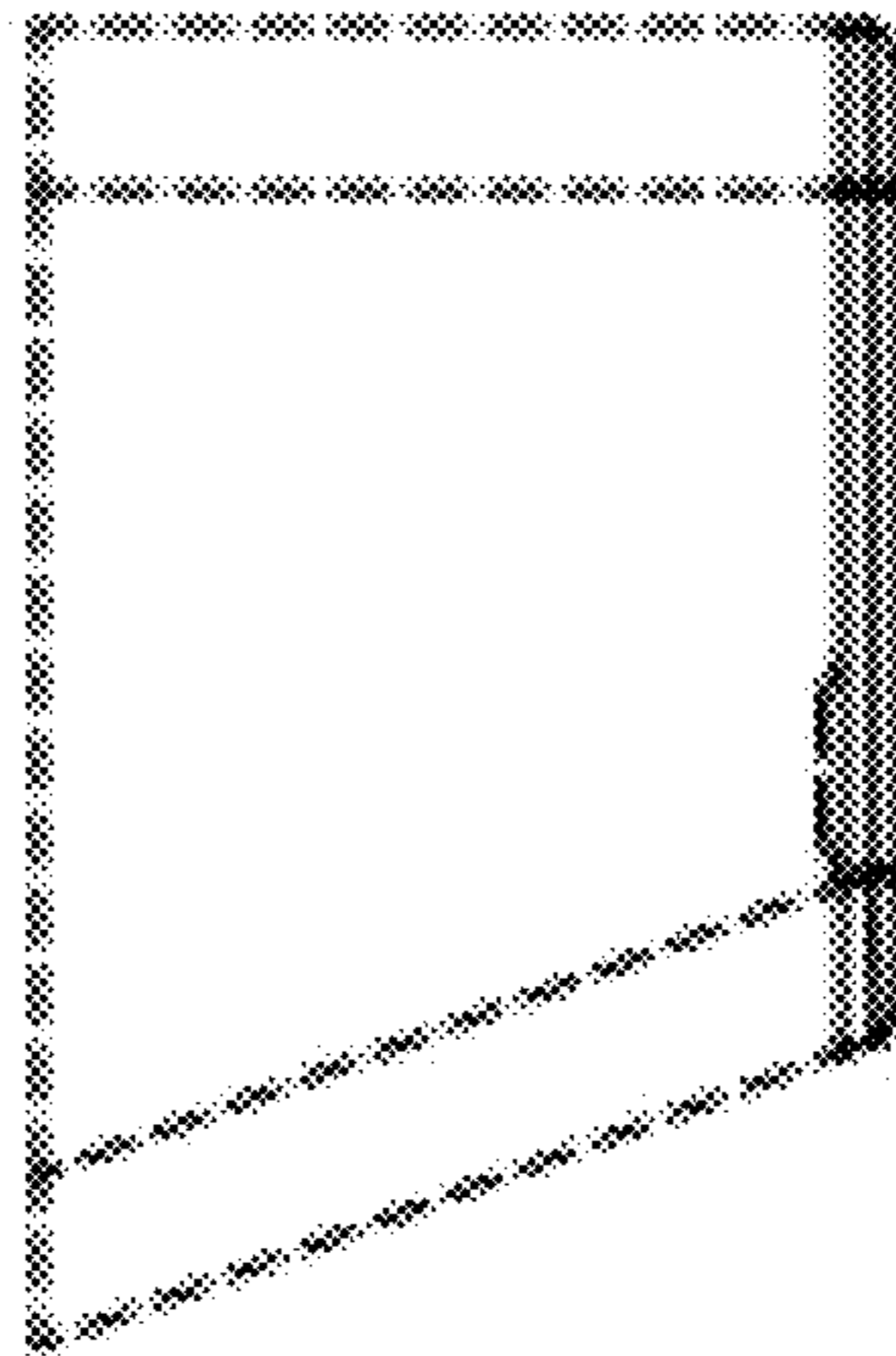
1.4



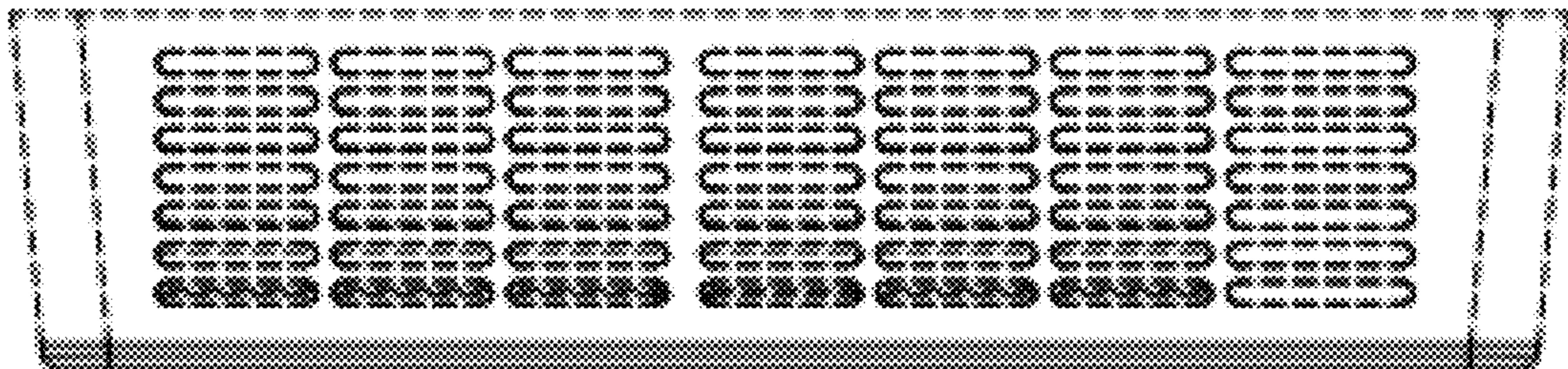
1.5



1.6



1.7



1.8

