



US00D949303S

(12) **United States Design Patent**
Xie

(10) **Patent No.:** **US D949,303 S**

(45) **Date of Patent:** **** Apr. 19, 2022**

(54) **HEATER**

(71) Applicant: **Wenjun Xie**, Taizhou (CN)

(72) Inventor: **Wenjun Xie**, Taizhou (CN)

(73) Assignee: **Wenjun Xie**, Taizhou (CN)

(**) Term: **15 Years**

(21) Appl. No.: **29/762,279**

(22) Filed: **Dec. 15, 2020**

(30) **Foreign Application Priority Data**

Aug. 27, 2020 (CN) 202030498546.0

(51) **LOC (13) Cl.** **23-03**

(52) **U.S. Cl.**
USPC **D23/335**

(58) **Field of Classification Search**
USPC D23/314, 330, 332, 334, 335, 336, 337,
D23/338, 339, 340, 341, 355, 356, 364,
D23/370, 381, 382

CPC F24H 3/002; F24H 9/2071; F24H 2250/00;
F24H 9/0052; F24H 9/0057; F24H 9/02;
F24H 9/1863; F24H 9/1854; F24H
9/1872; F24H 3/0411; F24H 3/0417

See application file for complete search history.

(56) **References Cited**

U.S. PATENT DOCUMENTS

D410,074 S * 5/1999 Lee D23/332
D531,300 S * 10/2006 Dooley D23/378

D543,612 S * 5/2007 Fok D23/336
D566,253 S * 4/2008 Shapiro D23/332
D581,502 S * 11/2008 Gao D23/332
D896,937 S * 9/2020 Yang D23/335
D900,987 S * 11/2020 Lei D23/337

* cited by examiner

Primary Examiner — Ania Aman

(74) *Attorney, Agent, or Firm* — Dragon Sun Law Firm,
PC; Jinggao Li, Esq.

(57) **CLAIM**

The ornamental design for a heater, as shown and described.

DESCRIPTION

FIG. 1 is a front, left perspective view of a heater showing my new design;

FIG. 2 is rear, left perspective view thereof;

FIG. 3 is a front view thereof;

FIG. 4 is a rear view thereof;

FIG. 5 is a left side view thereof;

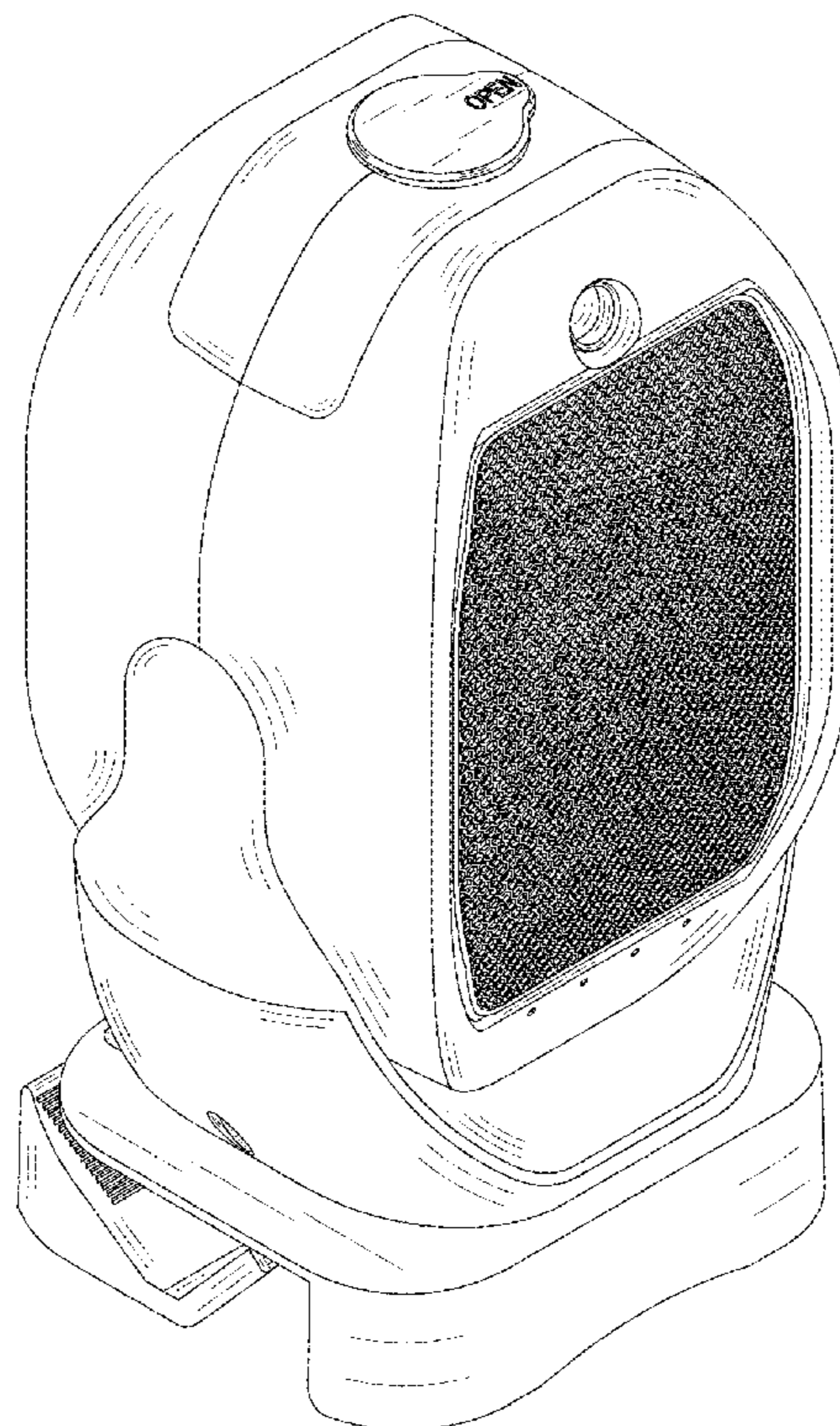
FIG. 6 is a right side view thereof;

FIG. 7 is a top plan view thereof; and,

FIG. 8 is a bottom plan view thereof.

In the drawings, the broken lines depict portions of the heater that form no part of the claimed design.

1 Claim, 8 Drawing Sheets



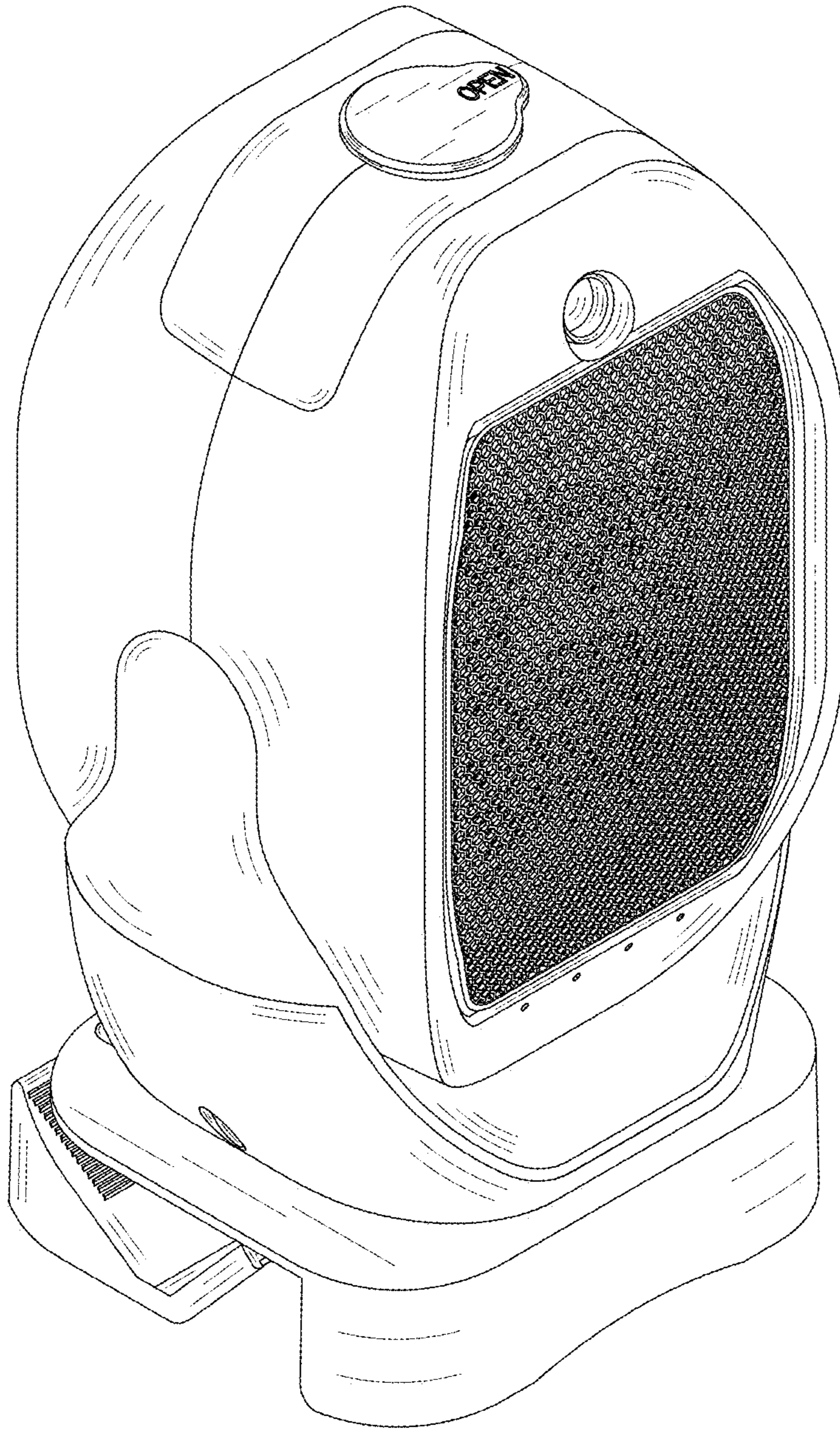


FIG. 1

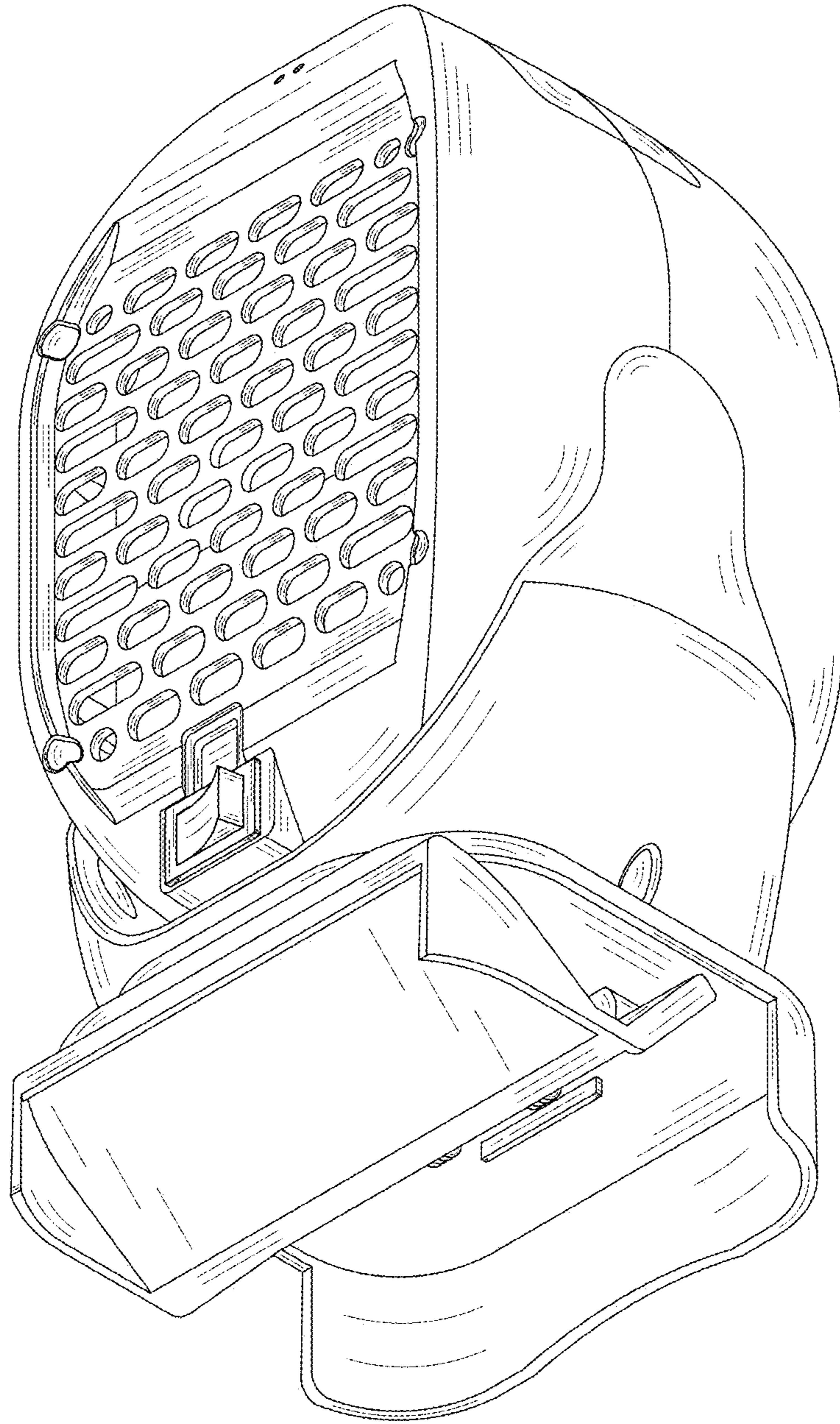


FIG. 2

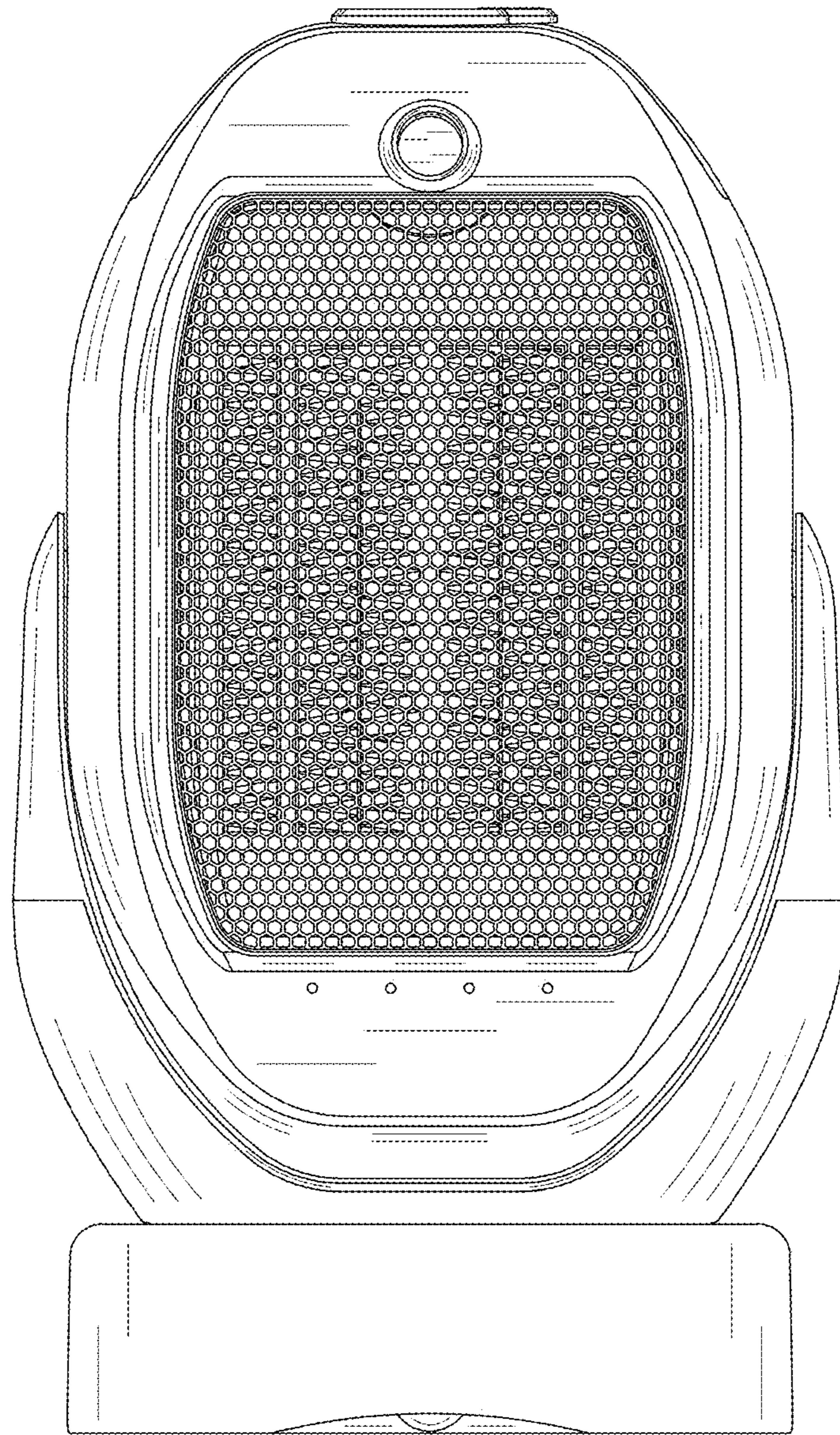


FIG. 3

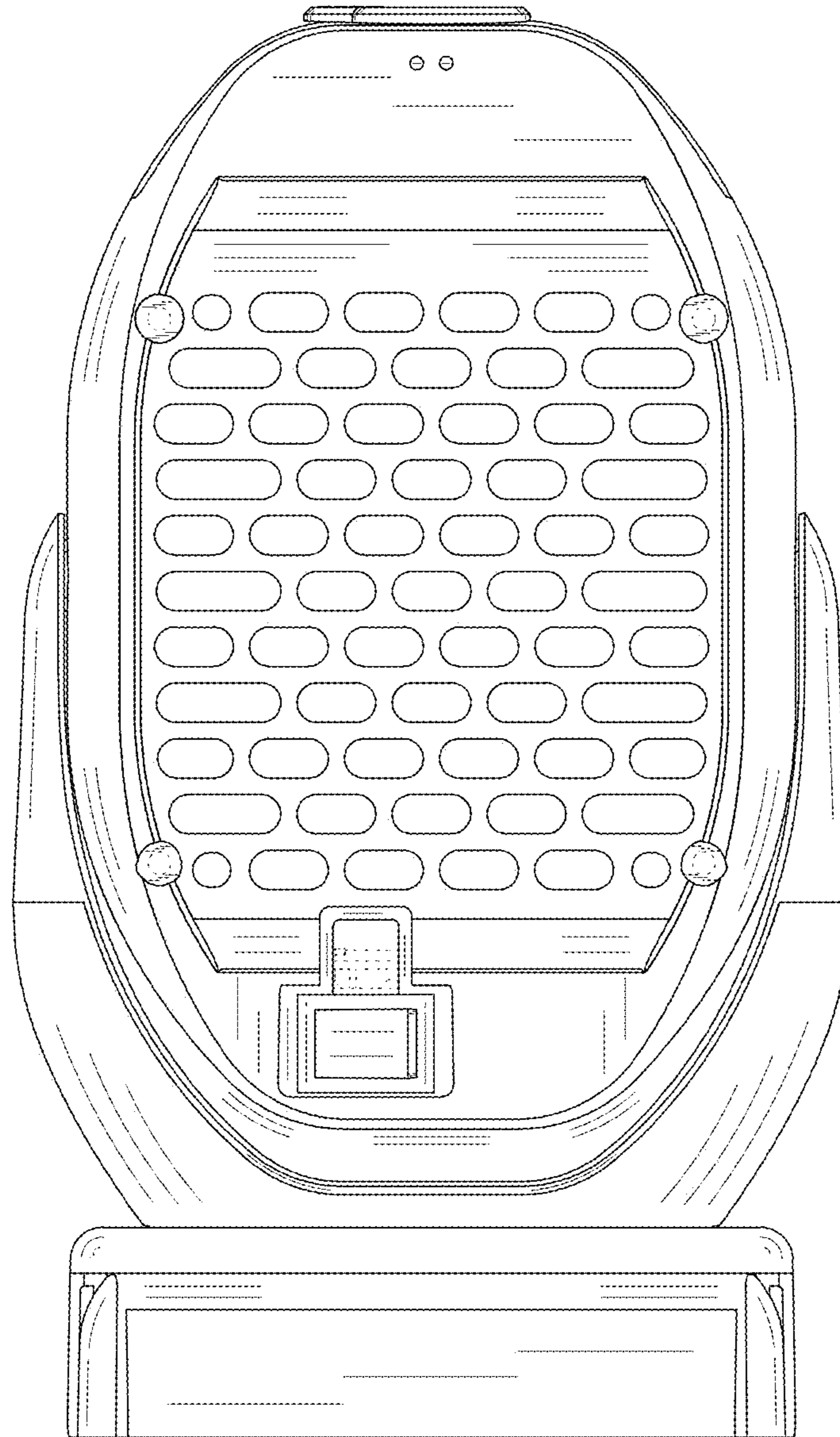


FIG. 4

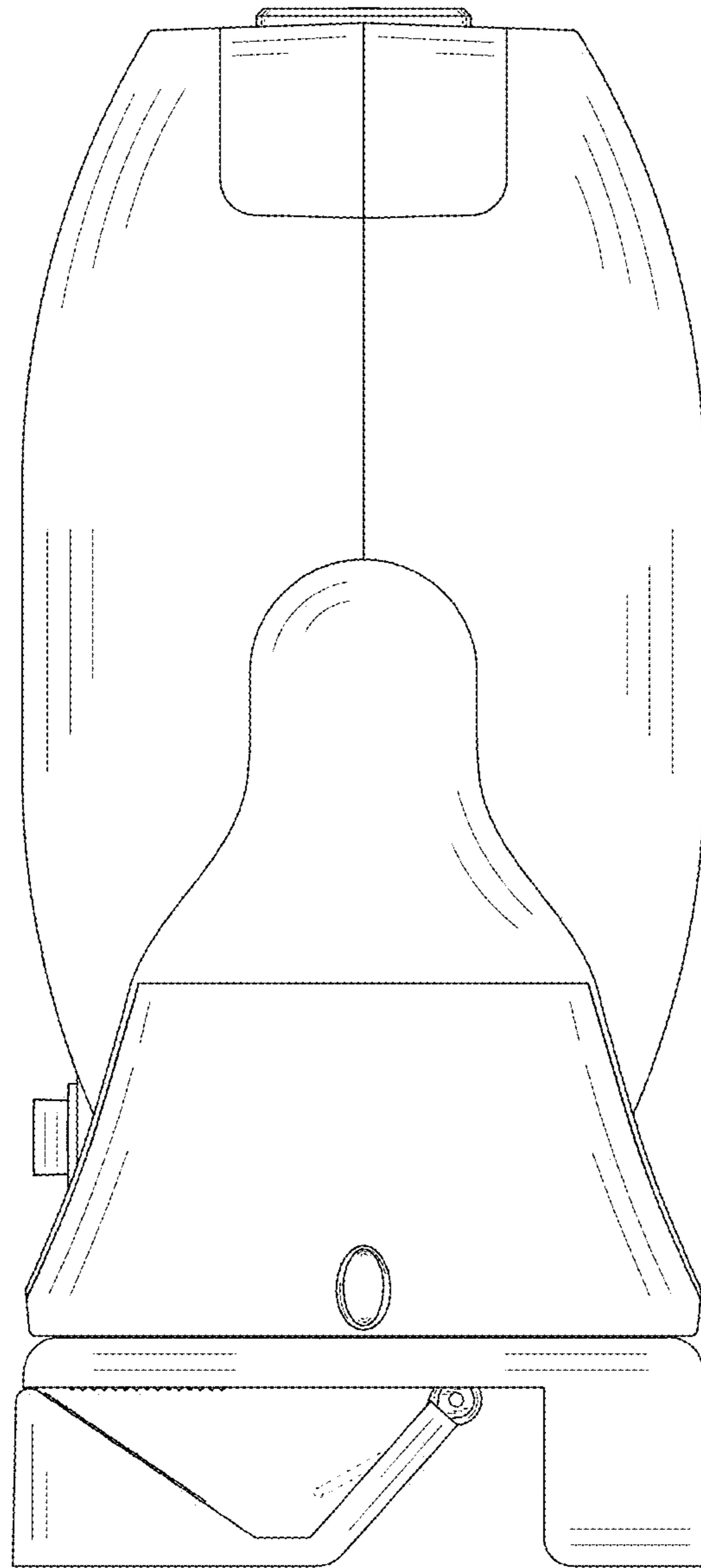


FIG. 5

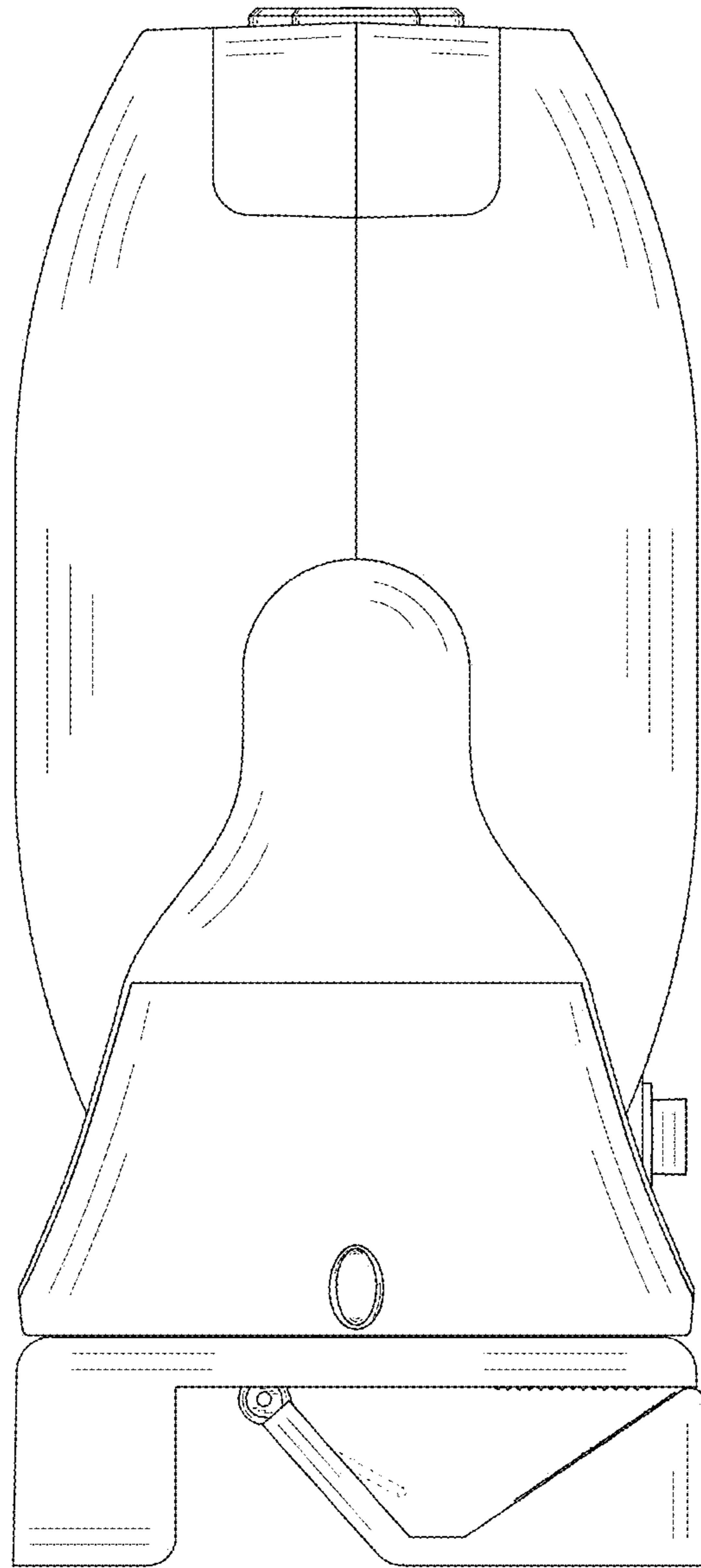


FIG. 6

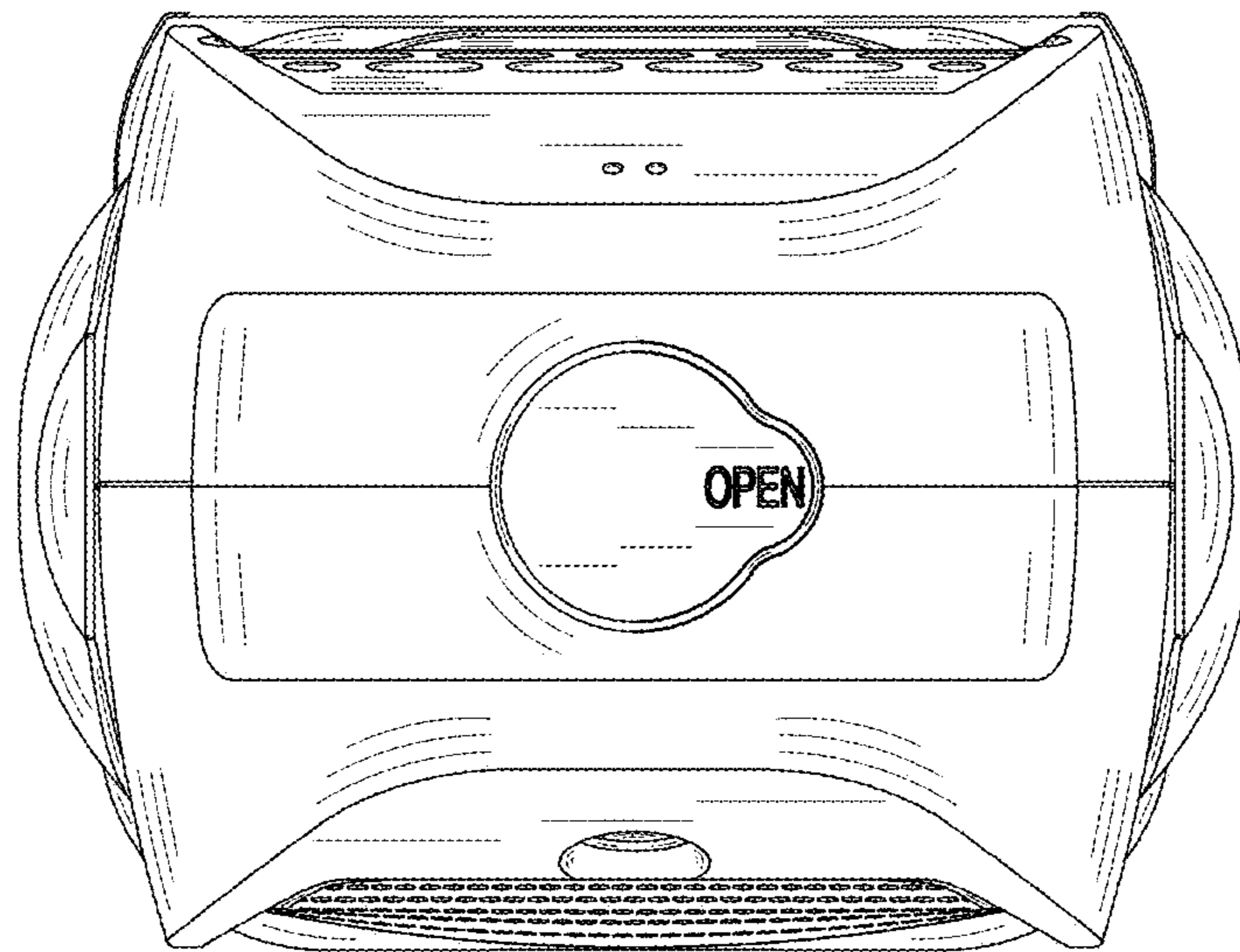


FIG. 7

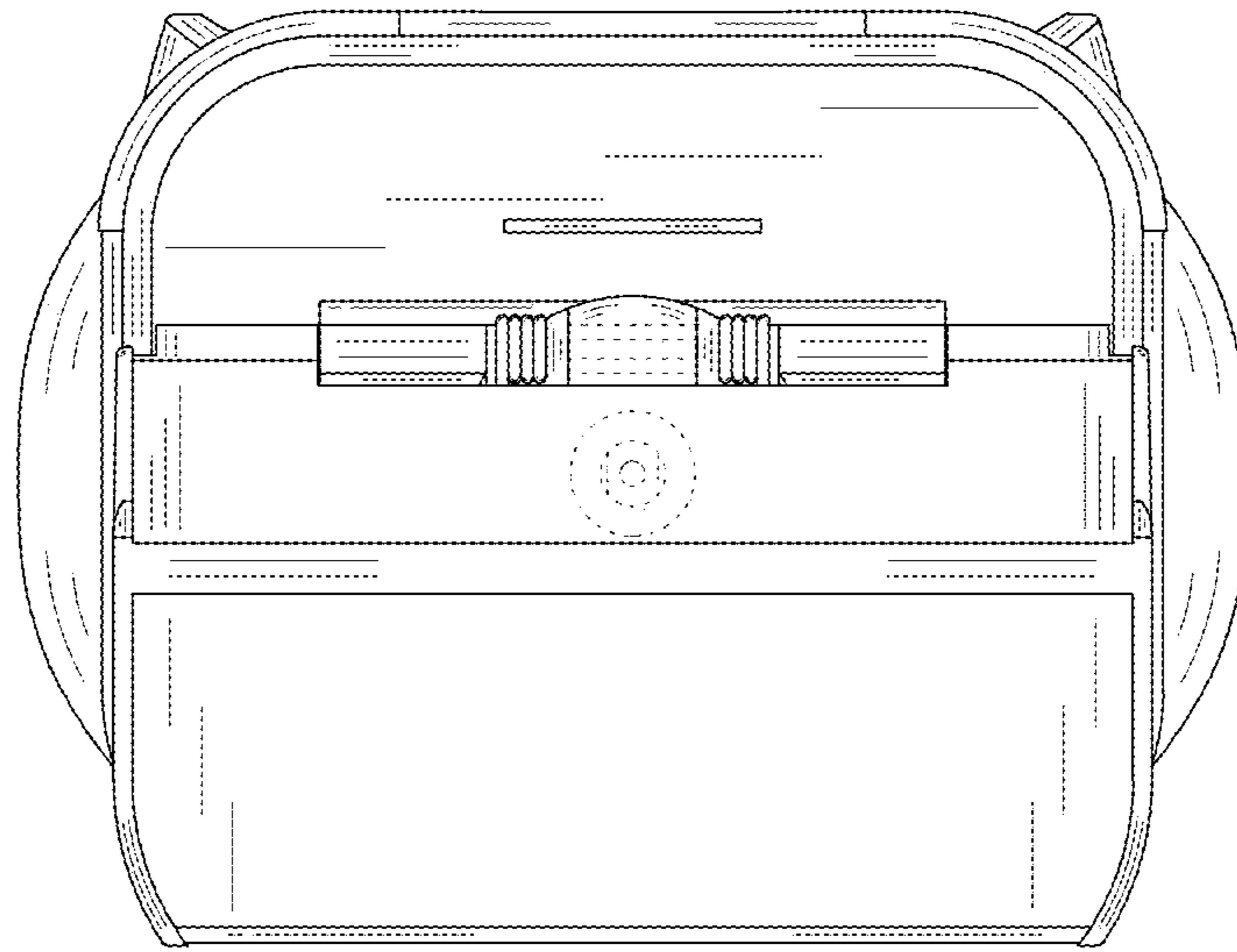


FIG. 8