



US00D949302S

(12) **United States Design Patent**
Quigley

(10) **Patent No.:** **US D949,302 S**
(45) **Date of Patent:** **** Apr. 19, 2022**

- (54) **FIRE PIT**
- (71) Applicant: **David Emerson Quigley**, Milford, NH (US)
- (72) Inventor: **David Emerson Quigley**, Milford, NH (US)
- (**) Term: **15 Years**
- (21) Appl. No.: **29/679,712**
- (22) Filed: **Feb. 8, 2019**

5,183,027 A	2/1993	Saldana	
5,655,435 A	8/1997	Rachesky	
5,699,784 A	12/1997	Tippmann et al.	
5,868,128 A	2/1999	Omar	
6,032,590 A *	3/2000	Chen	A47B 3/06 108/158.12
6,065,466 A	5/2000	Baykal	
6,131,560 A *	10/2000	Healy	A47J 37/0763 126/30
D449,490 S	10/2001	Frederick	
6,314,955 B1	11/2001	Boetcker	
D590,201 S	4/2009	Zagar	
D596,892 S	7/2009	Vanderminden	
D602,148 S	10/2009	DeFouw et al.	
D603,037 S	10/2009	DeFouw et al.	
D624,781 S *	10/2010	Allen	D7/332
D679,791 S	4/2013	Lowsky	
D690,405 S	9/2013	Lowsky	
D698,908 S *	2/2014	Krieger	D23/314

Related U.S. Application Data

- (63) Continuation of application No. 16/122,389, filed on Sep. 5, 2018, which is a continuation of application No. 15/204,942, filed on Jul. 7, 2016, now Pat. No. 10,094,574.
- (51) **LOC (13) Cl.** **23-03**
- (52) **U.S. Cl.**
USPC **D23/332**
- (58) **Field of Classification Search**
USPC D23/332, 314, 343, 348, 350, 346;
D7/332-337, 402-405, 352
CPC F24C 1/16; F24C 5/00; F24C 3/14; A47J
33/00; A47J 37/0763; A47J 37/07; F24B
1/18; F24B 1/182; F24B 1/1808; F24B
1/181; F24B 1/195; F24B 1/191
See application file for complete search history.

(56) **References Cited**

U.S. PATENT DOCUMENTS

2,597,477 A *	5/1952	Haislip	F24B 1/205 126/25 R
2,728,334 A	12/1955	Paoella	
3,491,744 A	1/1970	von Kohorn et al.	
3,745,303 A	7/1973	Epperson et al.	
D233,499 S *	11/1974	Sakata	D6/686
4,849,128 A	7/1989	Timmons et al.	

OTHER PUBLICATIONS

Non-Final Office Action dated Jan. 9, 2020 for U.S. Appl. No. 16/122,389, 6 pages.
(Continued)

Primary Examiner — Ania Aman
(74) *Attorney, Agent, or Firm* — Cooley LLP

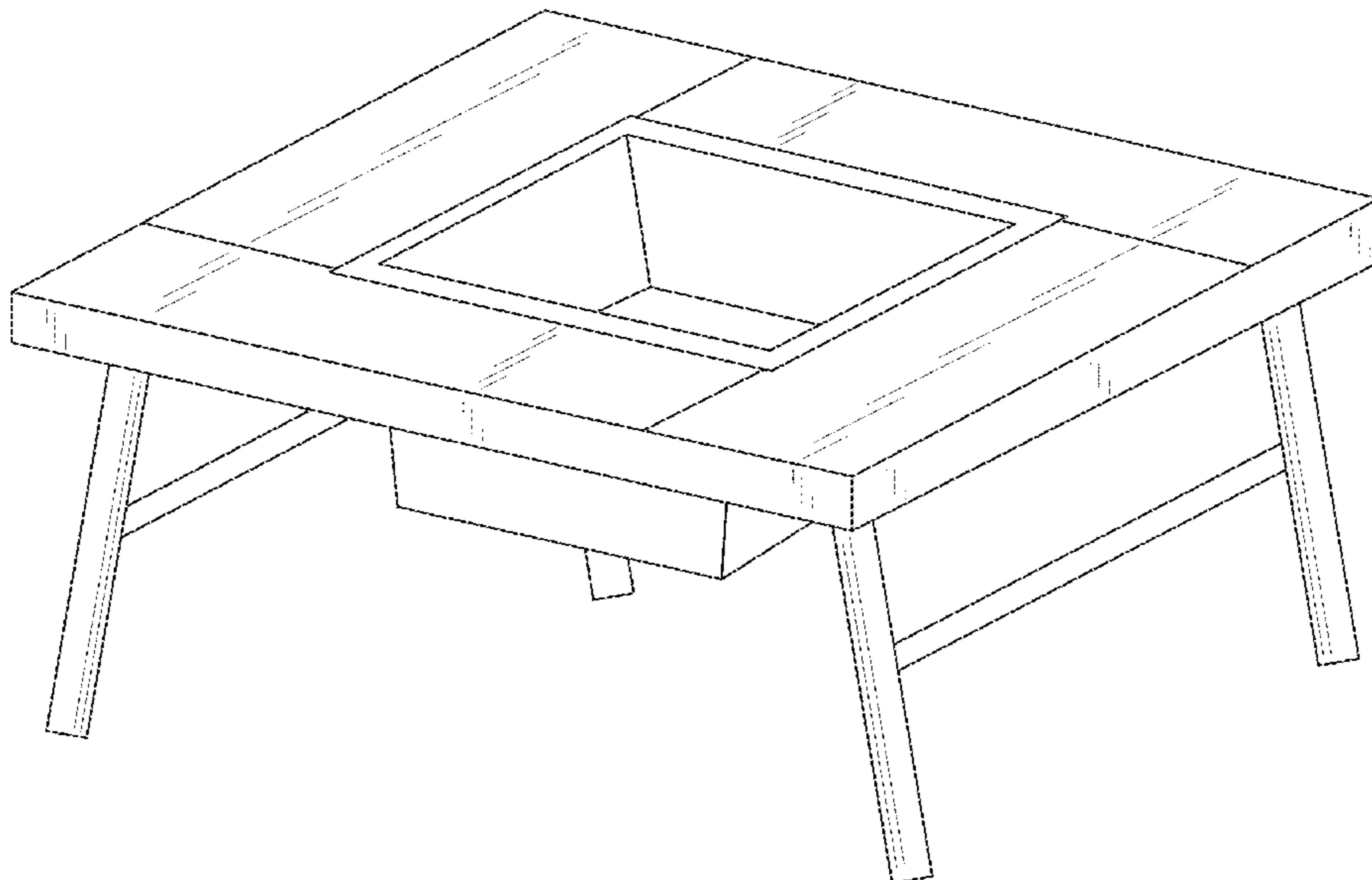
(57) **CLAIM**

The ornamental design for a fire pit, as shown and described.

DESCRIPTION

FIG. 1 is a perspective view of a fire pit;
FIG. 2 is a top view of the fire pit;
FIG. 3 is a left side view of the fire pit, the right side view being a mirror image thereof; and,
FIG. 4 is a front view of the fire pit, the back view being a mirror image thereof.

1 Claim, 4 Drawing Sheets



(56)

References Cited

U.S. PATENT DOCUMENTS

8,820,310 B1 * 9/2014 Plott A47J 37/0713
126/30

8,931,218 B2 1/2015 Raboine

D729,914 S 5/2015 Kinchen et al.

D729,915 S 5/2015 Zhang

9,074,775 B2 7/2015 McGary, Sr.

9,138,099 B2 9/2015 Dhuper et al.

9,155,416 B1 10/2015 Kuhl

D742,490 S 11/2015 Jepson

D757,238 S * 5/2016 Horsfield D23/343

D765,231 S 8/2016 Horsfield

9,474,414 B2 * 10/2016 Yuen A47J 37/0781

9,474,415 B2 10/2016 Banal et al.

D774,172 S 12/2016 Zemel et al.

10,094,574 B2 10/2018 Quigley

10,598,384 B2 * 3/2020 Cuffaro A47J 37/0763

11,015,818 B1 5/2021 Ritchie et al.

2002/0148457 A1 * 10/2002 Rice F24C 1/16
126/9 R

2005/0109331 A1 * 5/2005 Chao A47J 37/0781
126/25 R

2006/0037605 A1 * 2/2006 Fitzgerald F24B 1/181
126/519

2008/0264408 A1 * 10/2008 Konkle F24C 3/006
126/519

2009/0107483 A1 * 4/2009 Fitzgerald F24B 1/181
126/519

2010/0101558 A1 4/2010 Murrin et al.

2013/0081609 A1 4/2013 Dhuper et al.

2013/0255659 A1 * 10/2013 Fulp A47J 37/0781
126/25 R

2013/0269674 A1 10/2013 Junge, Sr.

2014/0174427 A1 6/2014 Yuen

2014/0331986 A1 11/2014 McGary, Sr.

2015/0013664 A1 1/2015 Riel

2015/0075514 A1 3/2015 Kuenzinger

2015/0308692 A1 10/2015 Hurt

2016/0166109 A1 6/2016 Banal et al.

2016/0290653 A1 10/2016 Roy et al.

2017/0013999 A1 * 1/2017 Horsfield A47J 37/0763

2017/0276372 A1 9/2017 Quigley

2019/0101292 A1 4/2019 Quigley

2020/0022486 A1 * 1/2020 Paesang A47J 37/0763

2020/0196797 A1 * 6/2020 Yeh A47J 37/0694

OTHER PUBLICATIONS

Non-Final Office Action dated Nov. 10, 2020 for U.S. Appl. No. 16/122,389, 11 pages.

* cited by examiner

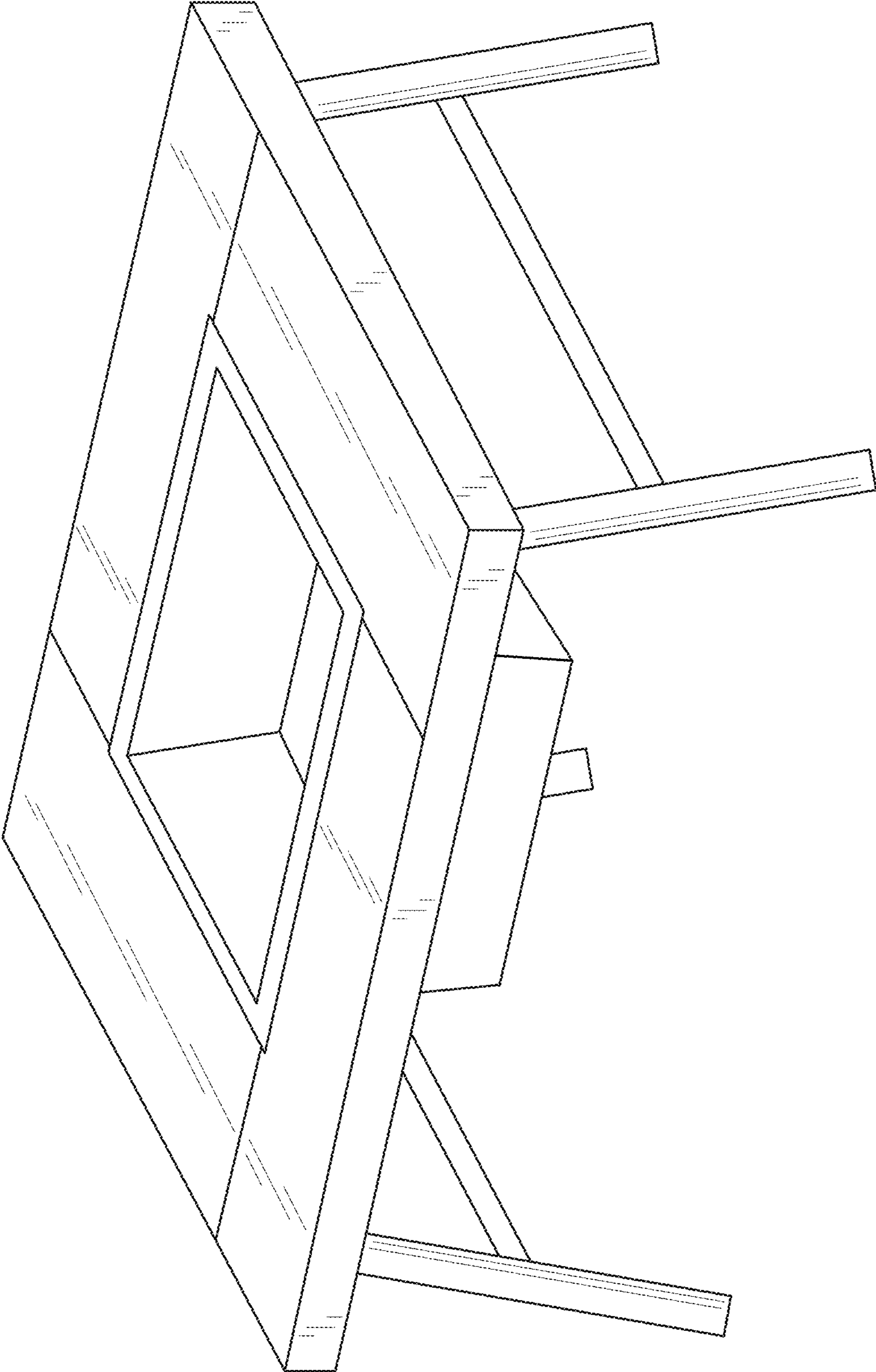


FIG. 1

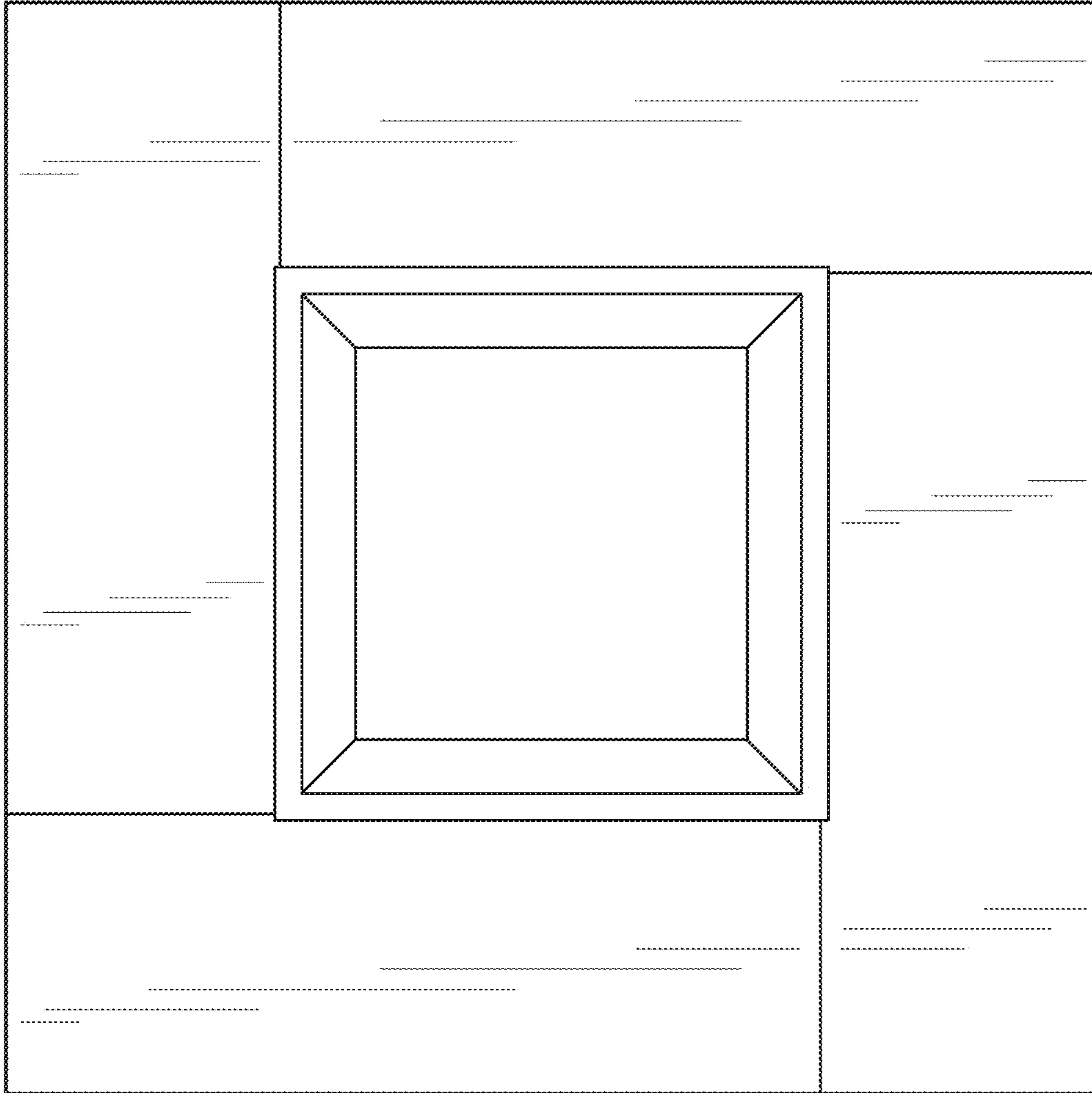


FIG. 2

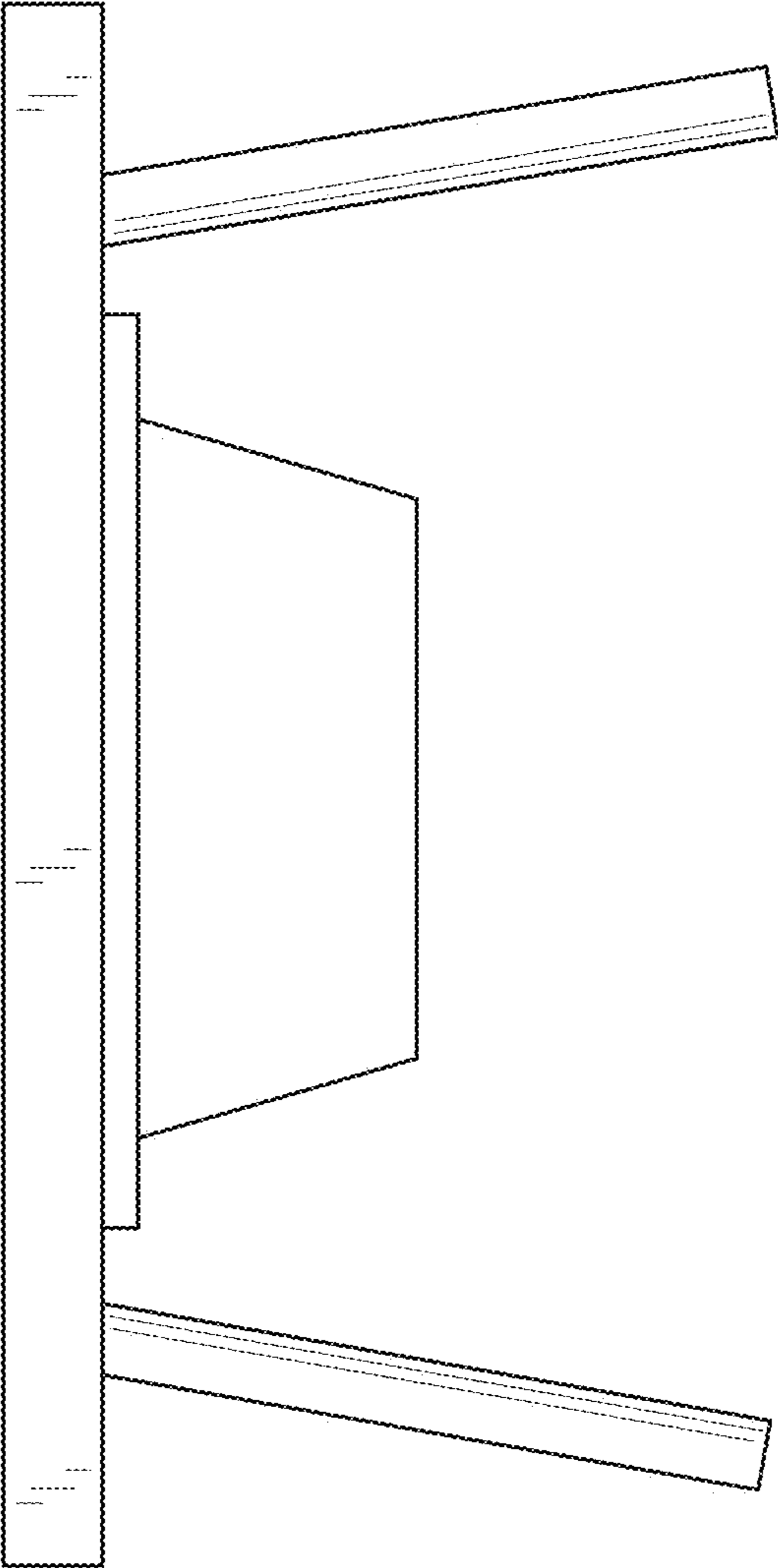


FIG. 3

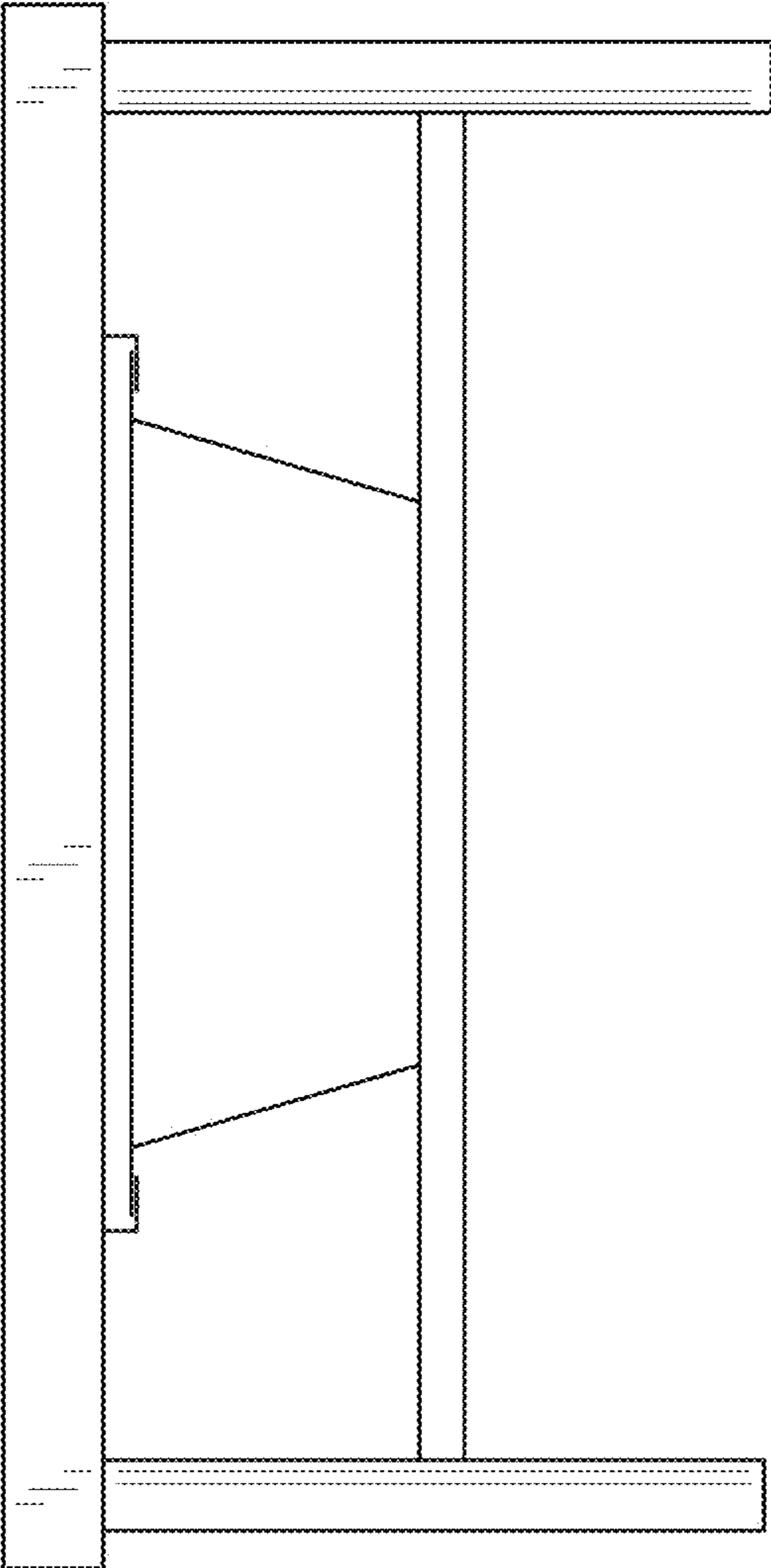


FIG. 4