



US00D949298S

(12) **United States Design Patent** (10) **Patent No.:** **US D949,298 S**
Ravassa et al. (45) **Date of Patent:** **** Apr. 19, 2022**

(54) **TOILET**

(56) **References Cited**

(71) Applicant: **AS America, Inc.**, Piscataway, NJ (US)

U.S. PATENT DOCUMENTS

(72) Inventors: **Gabriela Ravassa**, Brooklyn, NY (US);
Christophe Bucher, Hillsborough, NJ (US); **Jean-Jacques L’Henaff**, New Canaan, CT (US)

D672,018 S * 12/2012 Bucher D23/301
D688,356 S * 8/2013 Mendoza D23/301
D858,723 S * 9/2019 Cummings D23/301
2013/0219605 A1* 8/2013 Grover E03D 11/08
4/300.3

(73) Assignee: **AS America, Inc.**, Piscataway, NJ (US)

* cited by examiner

(**) Term: **15 Years**

Primary Examiner — Robert A Delehanty

(21) Appl. No.: **29/805,538**

(74) *Attorney, Agent, or Firm* — Tyler A. Stevenson;
Anna-lisa L. Gallo

(22) Filed: **Aug. 27, 2021**

(57) **CLAIM**

We claim the ornamental design for a toilet, as shown and described.

Related U.S. Application Data

DESCRIPTION

(63) Continuation of application No. 29/719,817, filed on Jan. 8, 2020, now Pat. No. Des. 931,992.

FIG. 1 is a front, top, right side perspective view of a toilet showing our new design;
FIG. 2 is a front view thereof;
FIG. 3 is a rear side view thereof;
FIG. 4 is a left side view thereof;
FIG. 5 is a right side view thereof;
FIG. 6 is a top view thereof; and,
FIG. 7 is a bottom view thereof.

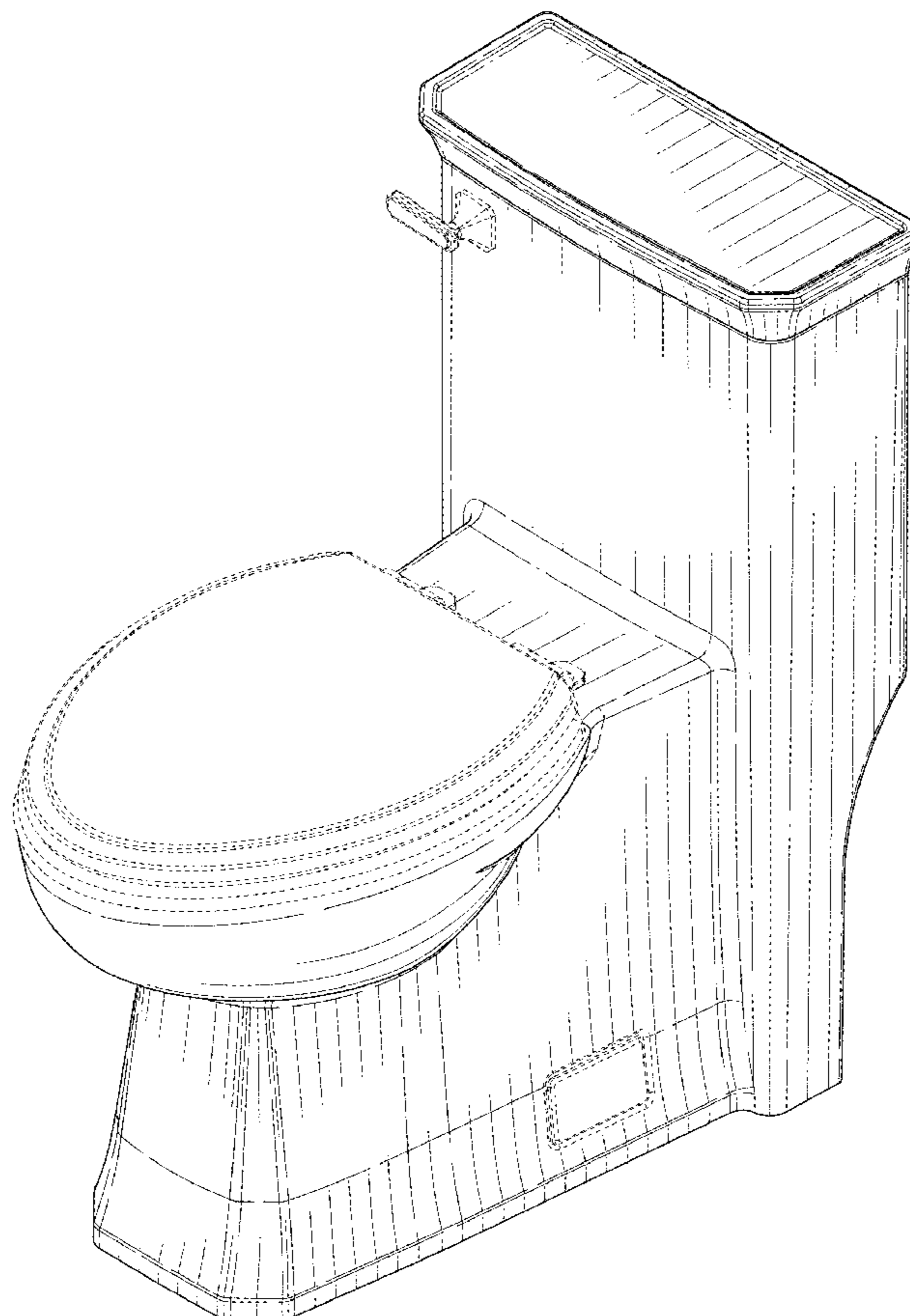
(51) **LOC (13) Cl.** **23-02**

(52) **U.S. Cl.**
USPC **D23/301**

(58) **Field of Classification Search**
USPC D23/295, 301, 309, 313
See application file for complete search history.

The broken lines depict portions of the toilet that form no part of the claimed design.

1 Claim, 6 Drawing Sheets



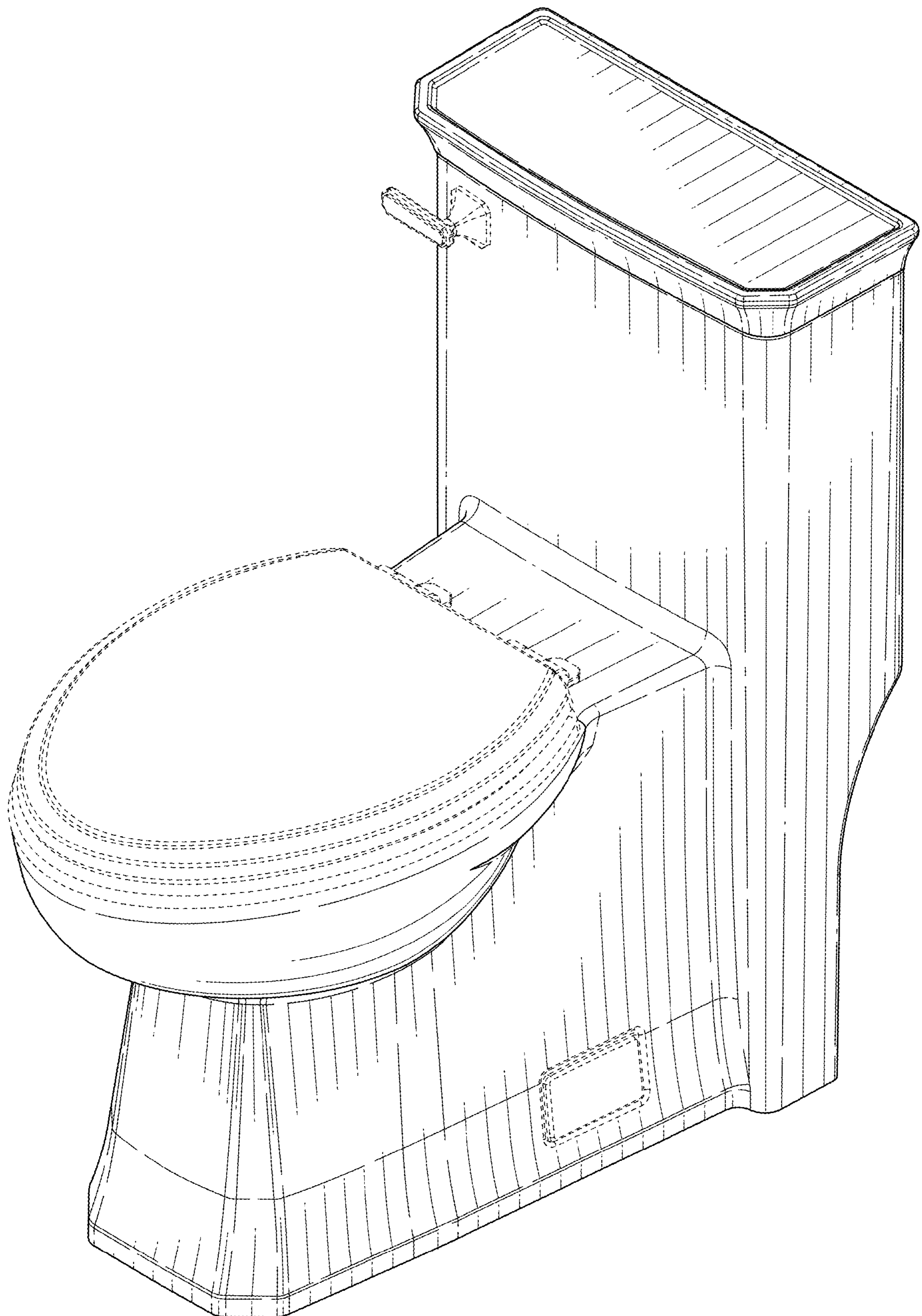


FIG. 1

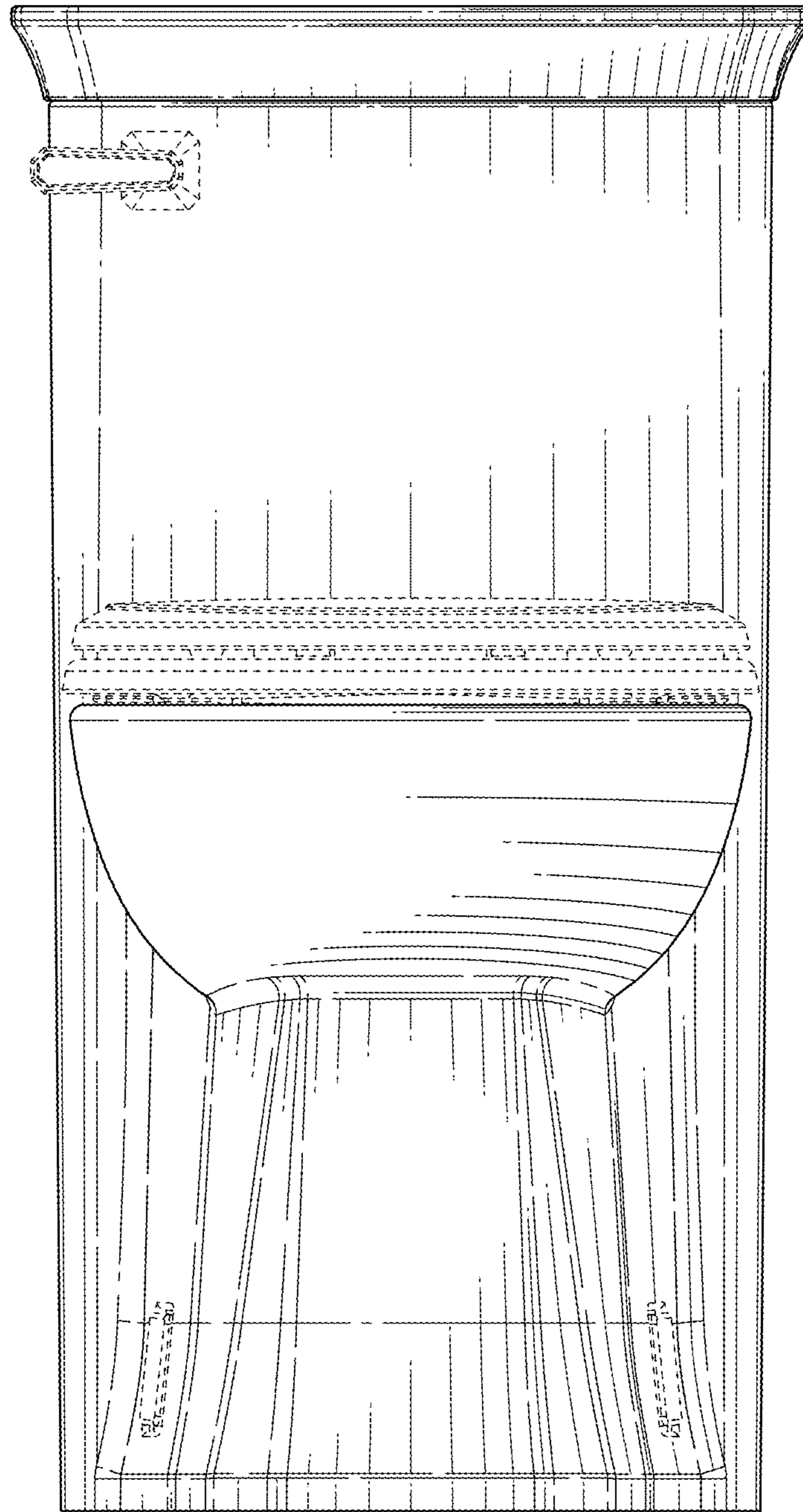


FIG. 2

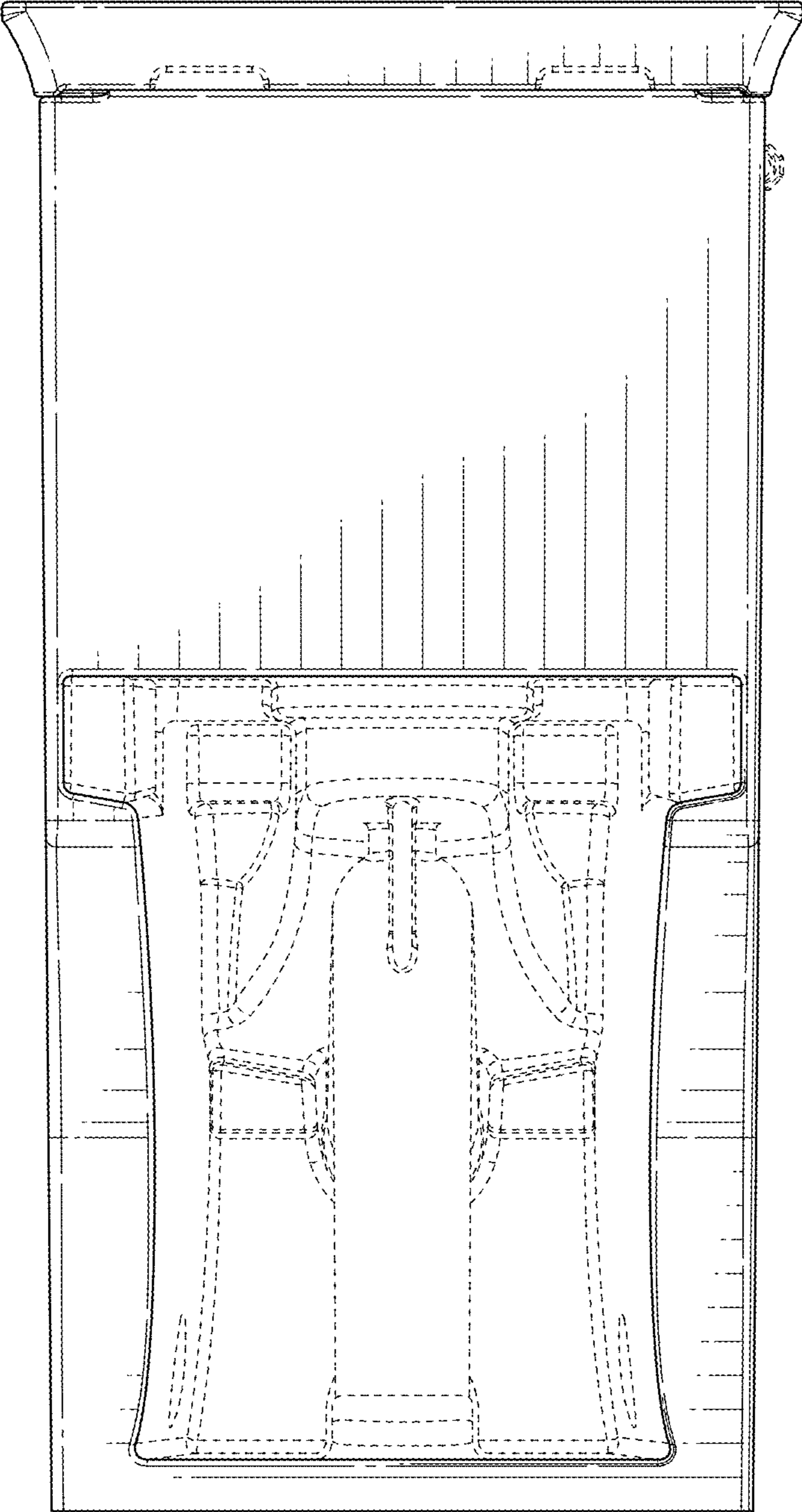


FIG. 3

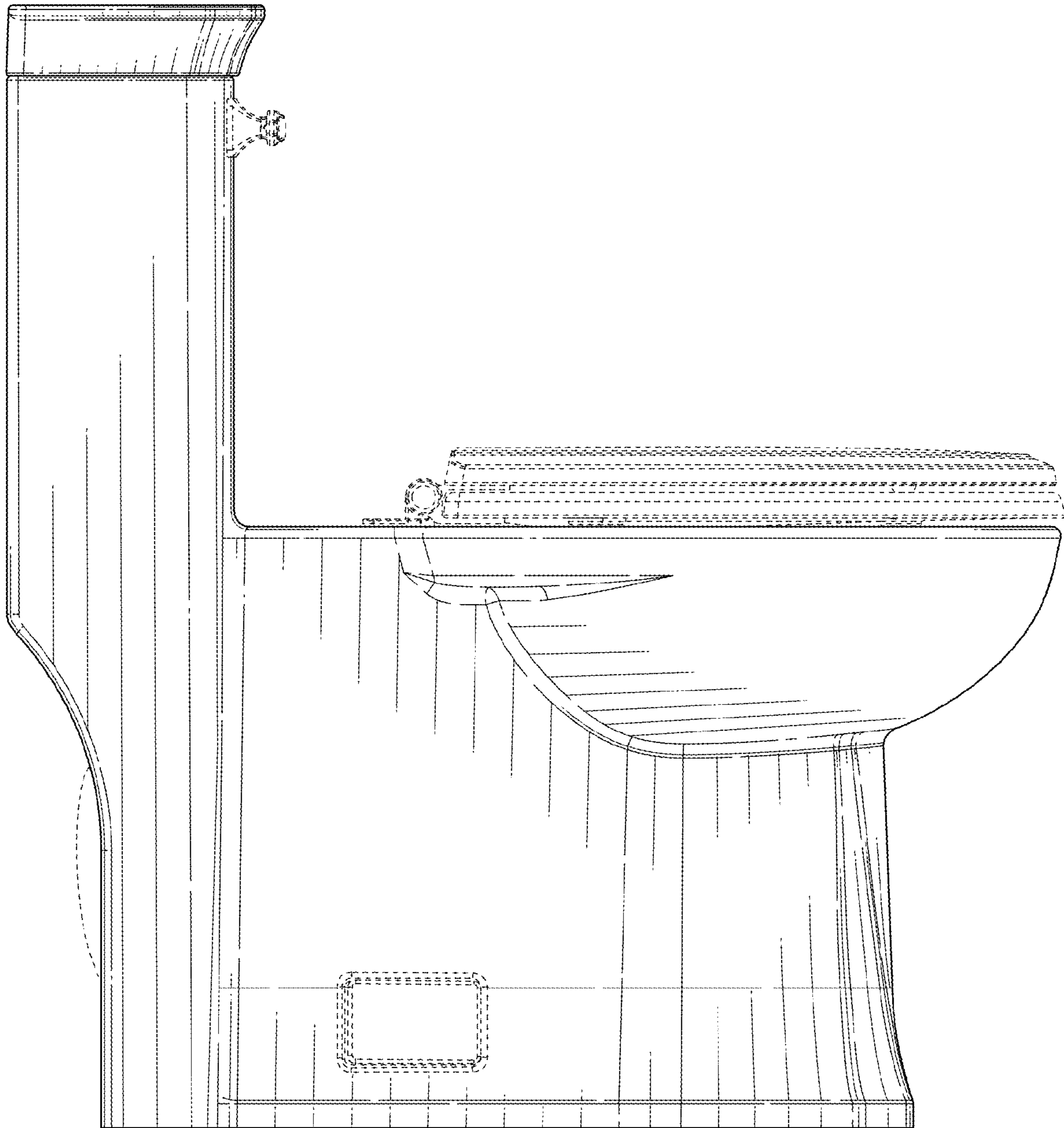


FIG. 4

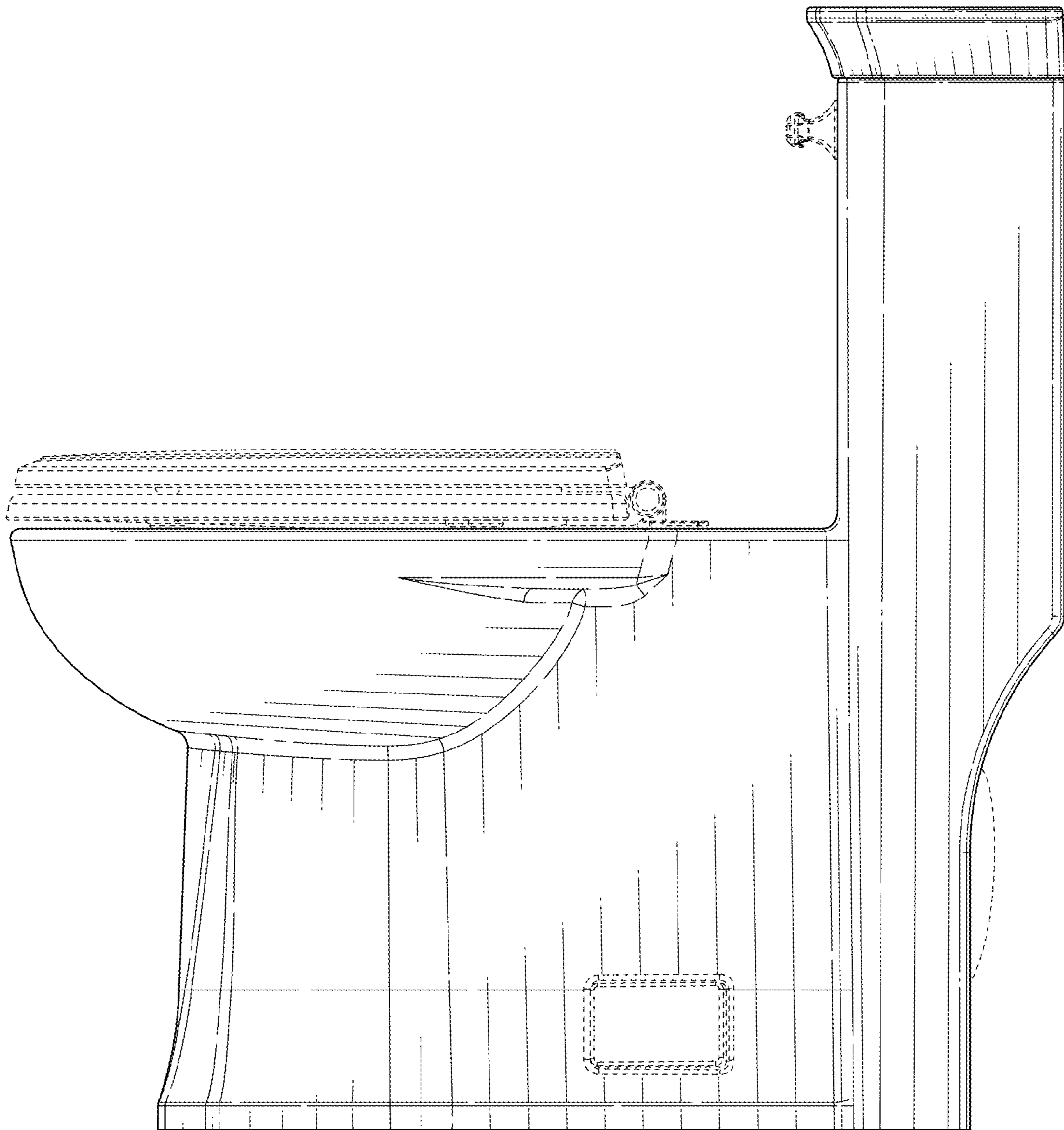


FIG. 5

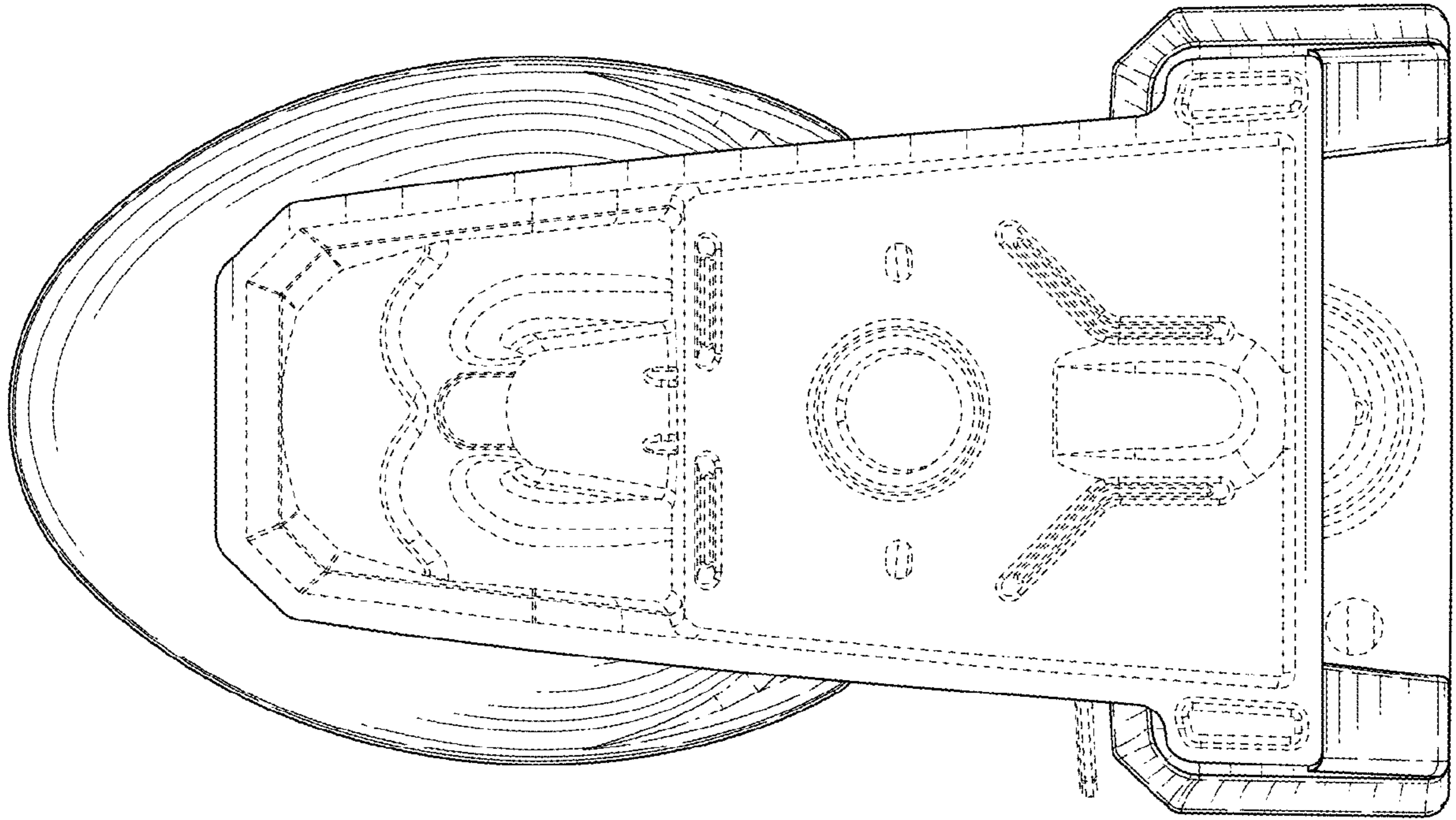


FIG. 7

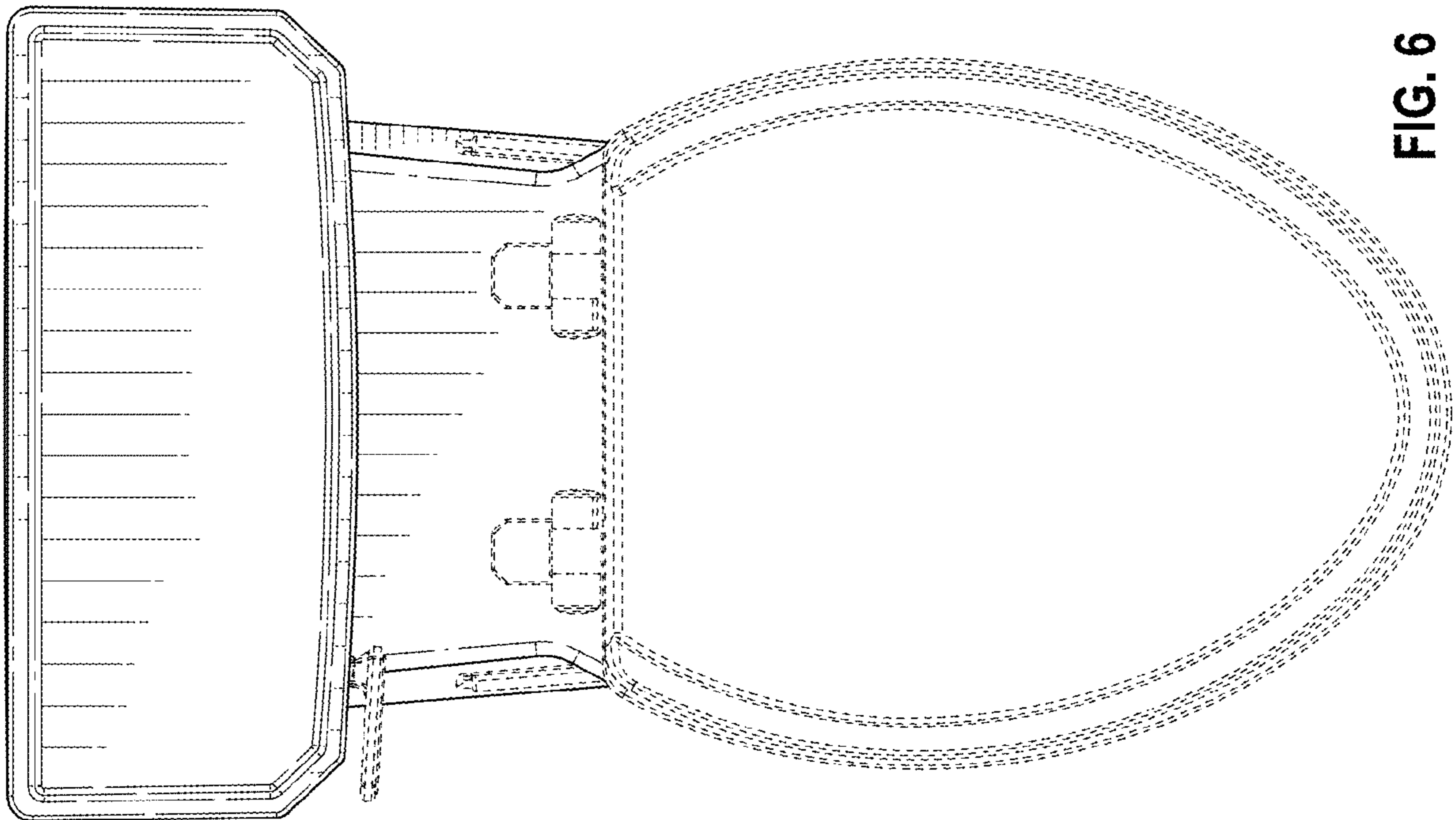


FIG. 6