



US00D949297S

(12) **United States Design Patent** (10) **Patent No.:** **US D949,297 S**
Ravassa et al. (45) **Date of Patent:** **** Apr. 19, 2022**

(54) **TOILET**

(71) Applicant: **AS America, Inc.**, Piscataway, NJ (US)

(72) Inventors: **Gabriela Ravassa**, Brooklyn, NY (US);
Christophe Bucher, Hillsborough, NJ (US); **Jean-Jacques L’Henaff**, New Canaan, CT (US)

(73) Assignee: **AS America, Inc.**, Piscataway, NJ (US)

(**) Term: **15 Years**

(21) Appl. No.: **29/805,539**

(22) Filed: **Aug. 27, 2021**

Related U.S. Application Data

(63) Continuation of application No. 29/719,851, filed on Jan. 8, 2020, now Pat. No. Des. 931,426.

(51) **LOC (13) Cl.** **23-02**

(52) **U.S. Cl.**
USPC **D23/300**

(58) **Field of Classification Search**
USPC D23/295, 300–301, 309, 313
See application file for complete search history.

(56) **References Cited**

U.S. PATENT DOCUMENTS

D343,892 S * 2/1994 Chen D23/301
D523,541 S * 6/2006 Soulier D23/295
D823,995 S * 7/2018 Garrels D23/300

* cited by examiner

Primary Examiner — Robert A Delehanty

(74) *Attorney, Agent, or Firm* — Tyler A. Stevenson;
Anna-Lisa L. Gallo

(57) **CLAIM**

We claim the ornamental design for a toilet, as shown and described.

DESCRIPTION

FIG. 1 is a front, top, right side perspective view of a toilet showing our new design;

FIG. 2 is a front view thereof;

FIG. 3 is a rear view thereof;

FIG. 4 is a left side view thereof;

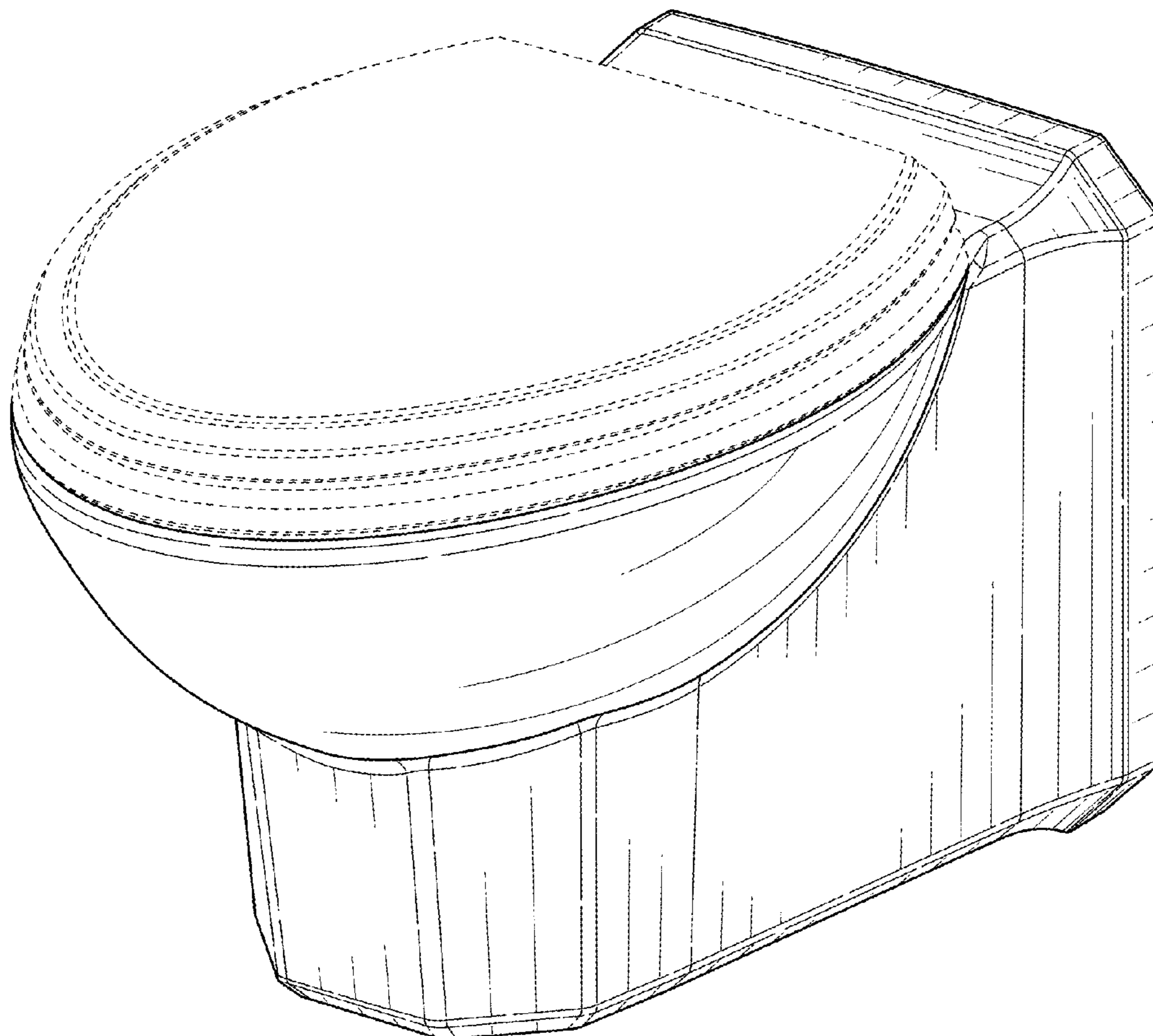
FIG. 5 is a right side view thereof;

FIG. 6 is a top view thereof; and,

FIG. 7 is a bottom view thereof.

The broken lines depict portions of the toilet that form no part of the claimed design.

1 Claim, 7 Drawing Sheets



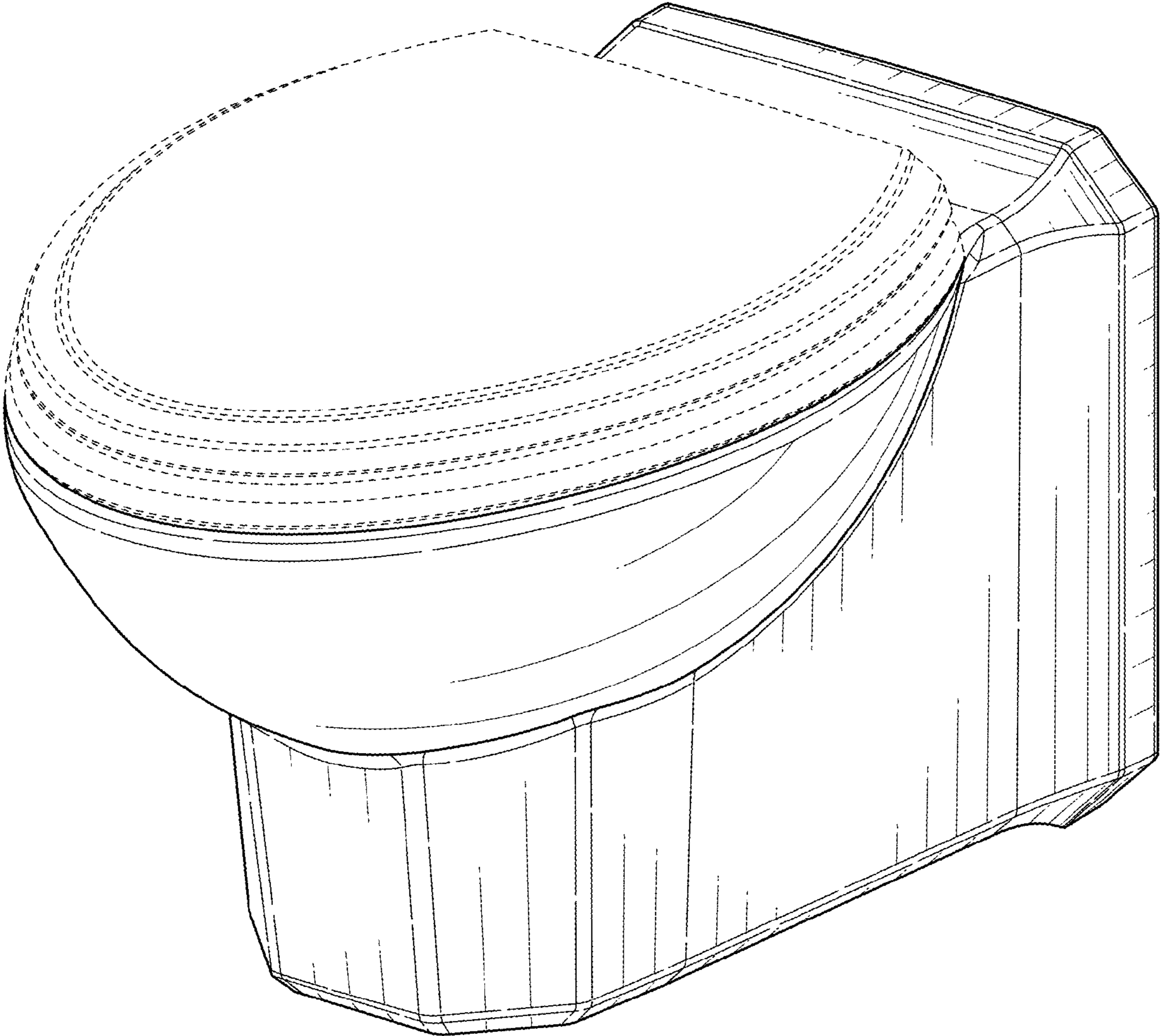


FIG. 1

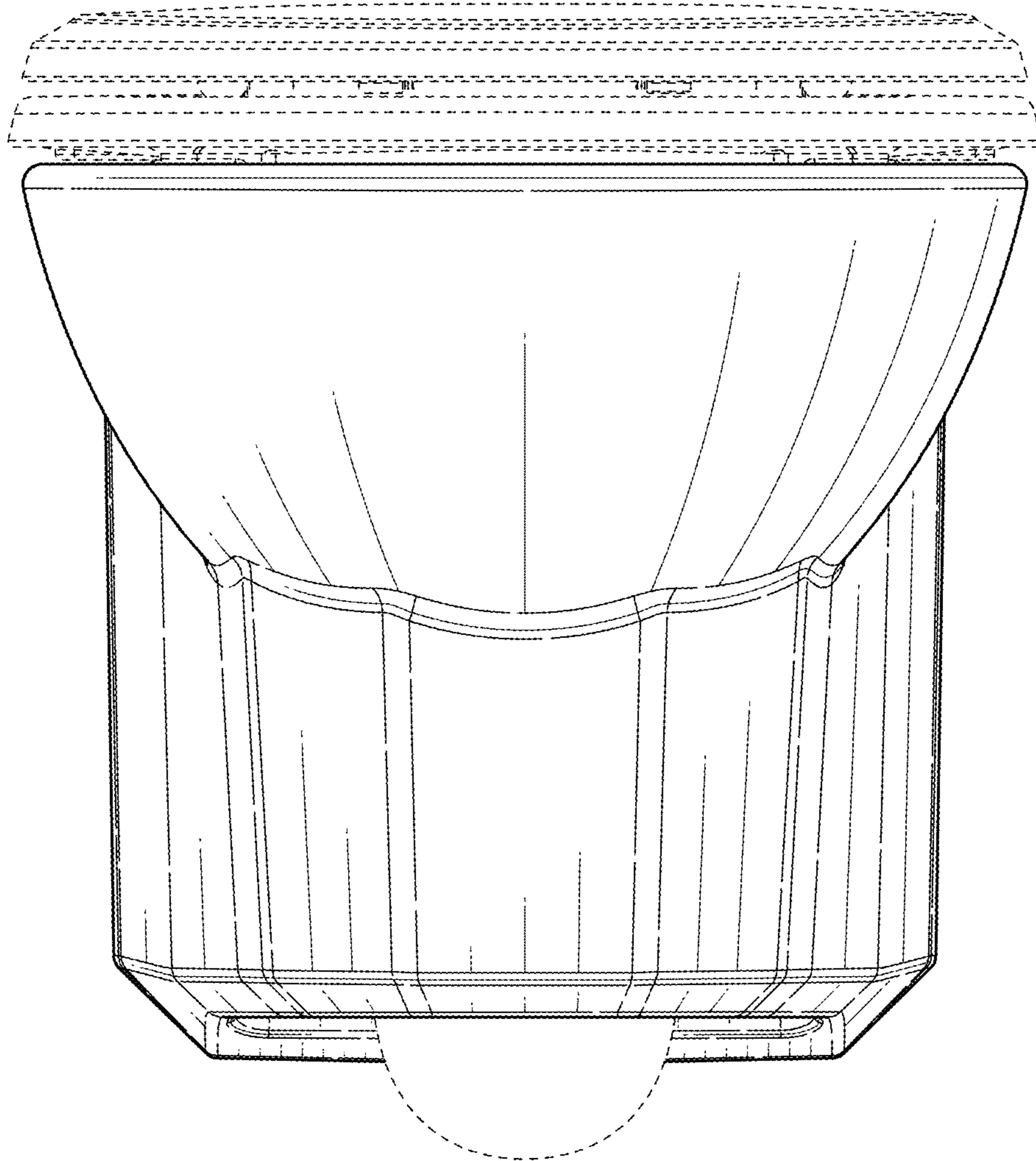


FIG. 2

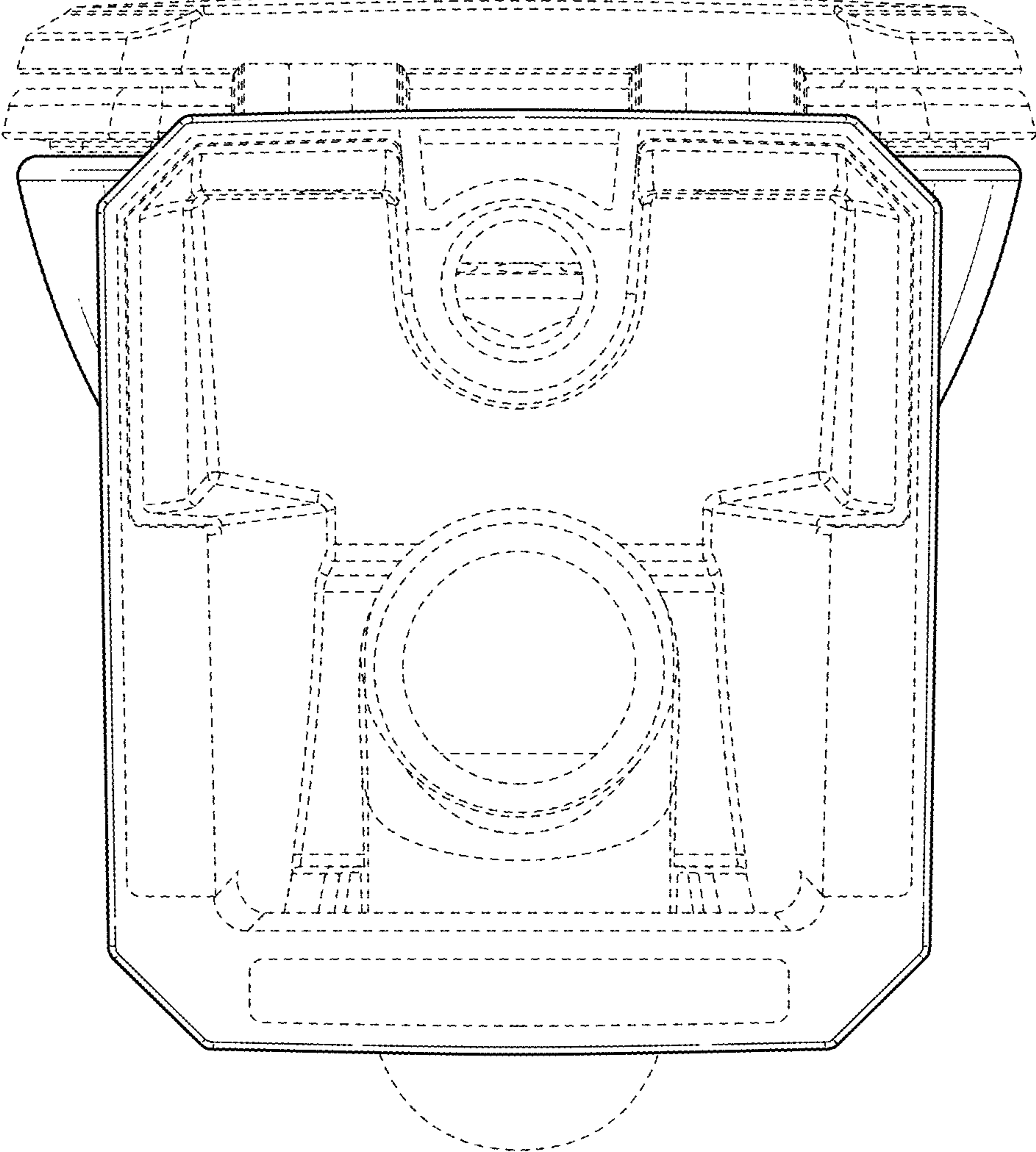


FIG. 3

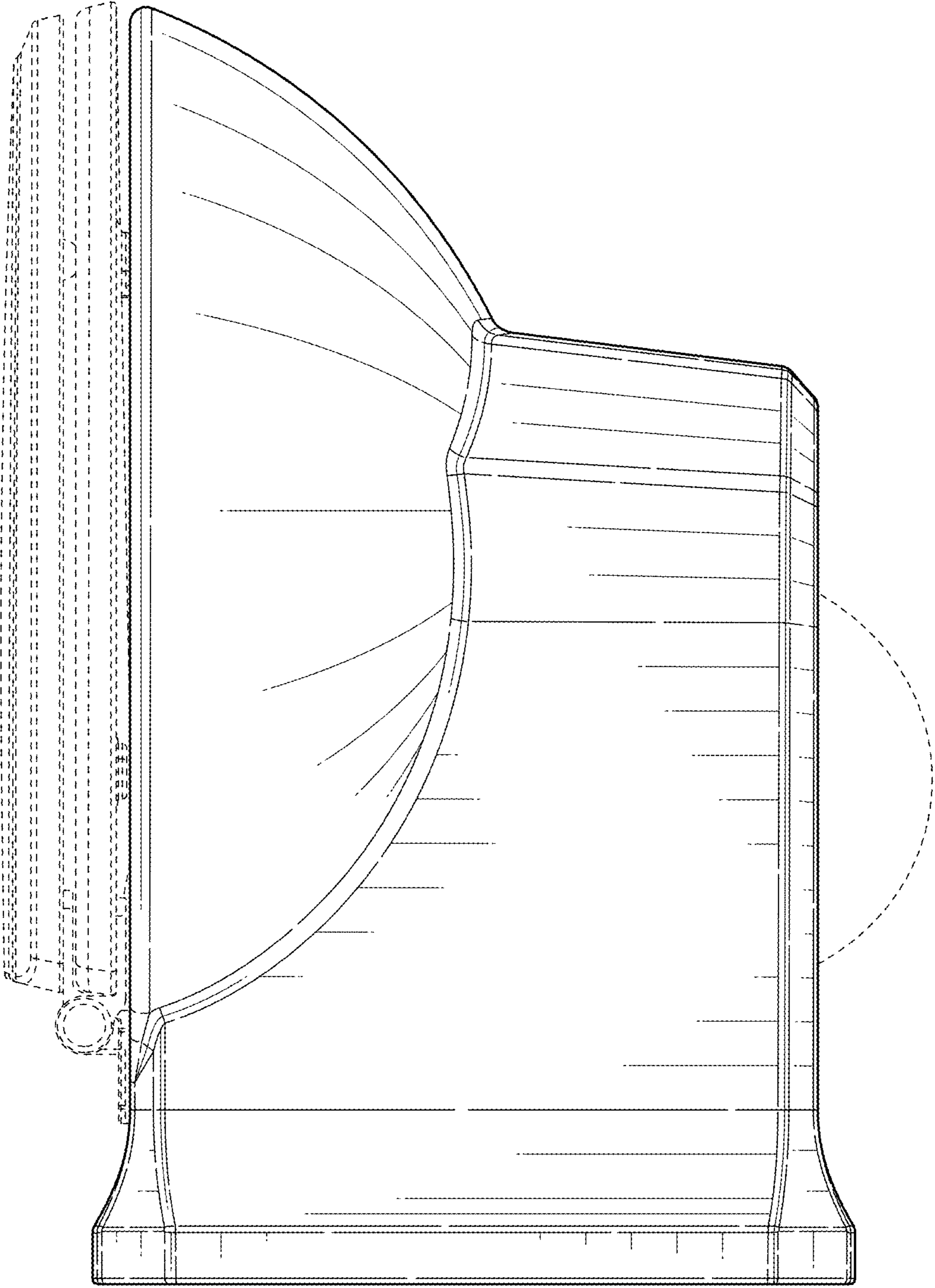


FIG. 4

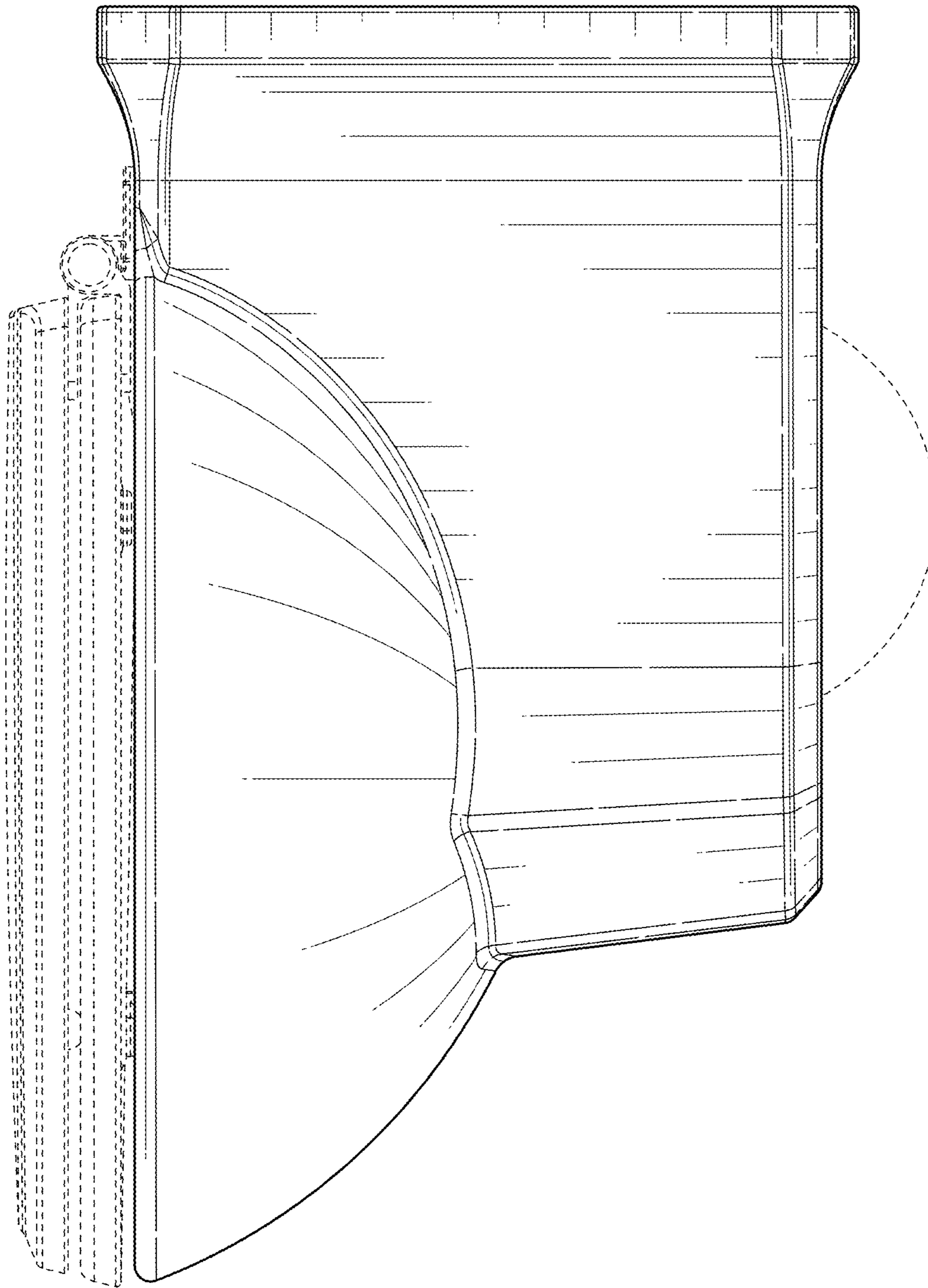


FIG. 5

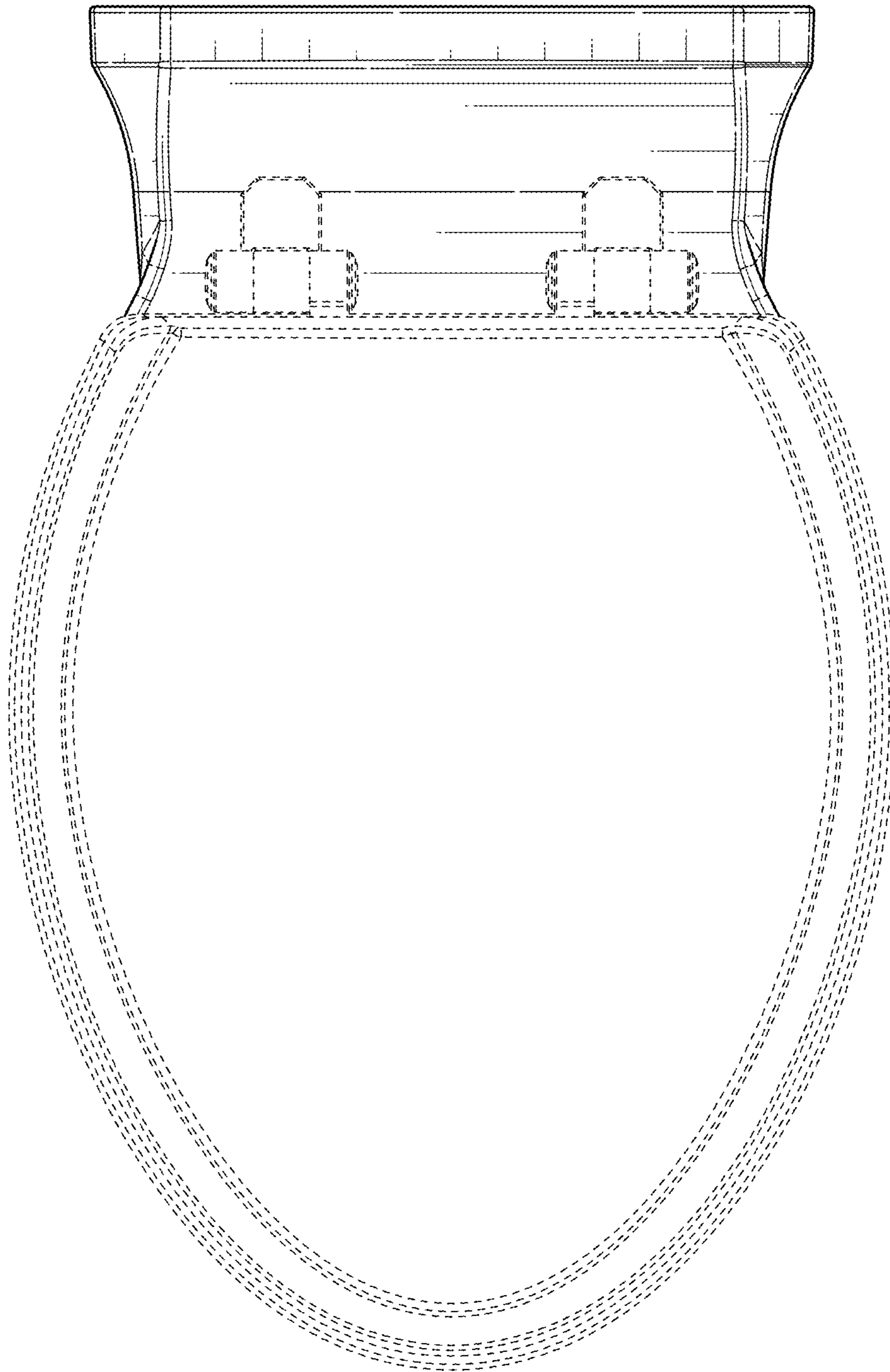


FIG. 6

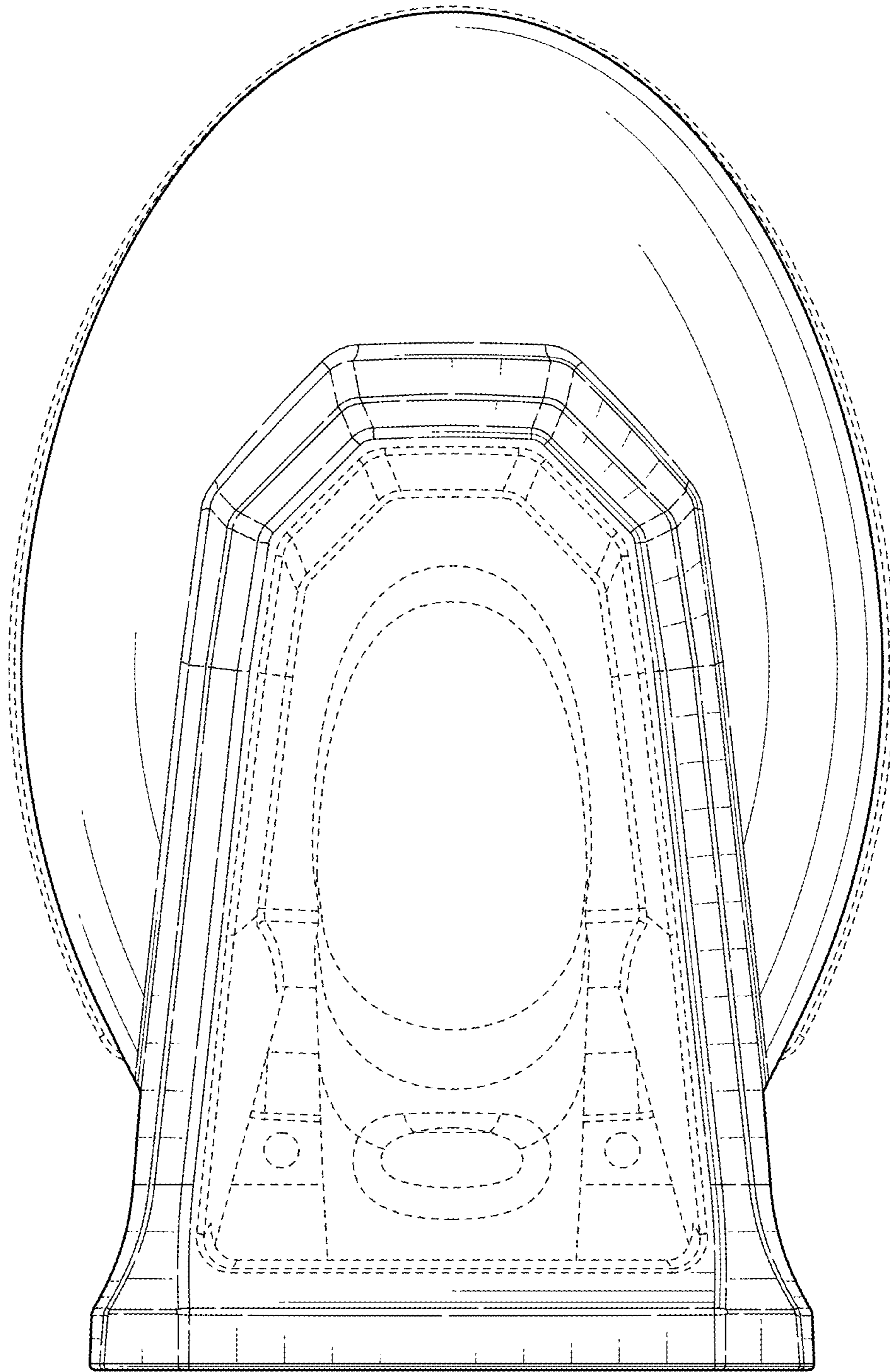


FIG. 7