

US00D949296S

(12) **United States Design Patent** (10) **Patent No.:** **US D949,296 S**  
**Adkison** (45) **Date of Patent:** **\*\* Apr. 19, 2022**

(54) **SINK BASIN**

(71) Applicant: **Acorn Engineering Company**, City Of Industry, CA (US)

(72) Inventor: **Christopher Adkison**, Ontario, CA (US)

(73) Assignee: **Acorn Engineering Company**, City of Industry, CA (US)

(\*\*) Term: **15 Years**

(21) Appl. No.: **29/703,959**

(22) Filed: **Aug. 30, 2019**

(51) **LOC (13) Cl.** ..... **23-02**

(52) **U.S. Cl.**  
USPC ..... **D23/284**

(58) **Field of Classification Search**  
USPC ..... D23/284, 286–287, 290, 292, 293.1, 308  
CPC ..... A47K 1/04; A47B 77/06  
See application file for complete search history.

(56) **References Cited**

**U.S. PATENT DOCUMENTS**

D468,815 S *	1/2003	Kahle	.....	D23/284
D518,560 S *	4/2006	Arkay-Leliever	.....	D23/290
D545,415 S *	6/2007	Tani	.....	D23/293.1
D560,782 S *	1/2008	Marshall	.....	D23/293.1
D582,528 S *	12/2008	Galloob	.....	D23/290
D589,128 S *	3/2009	Mitrani	.....	D23/284
D629,877 S *	12/2010	Rundberg	.....	D23/308
D745,120 S *	12/2015	Adkison	.....	D23/284
D823,445 S *	7/2018	Adkison	.....	D23/290
D841,785 S *	2/2019	Adkison	.....	D23/284
D881,360 S *	4/2020	Kluck	.....	D23/284

(Continued)

Primary Examiner — Robert A Delehanty

(74) *Attorney, Agent, or Firm* — Eric J. Sosenko; Jonathan P. O'Brien; Honigman LLP

(57) **CLAIM**

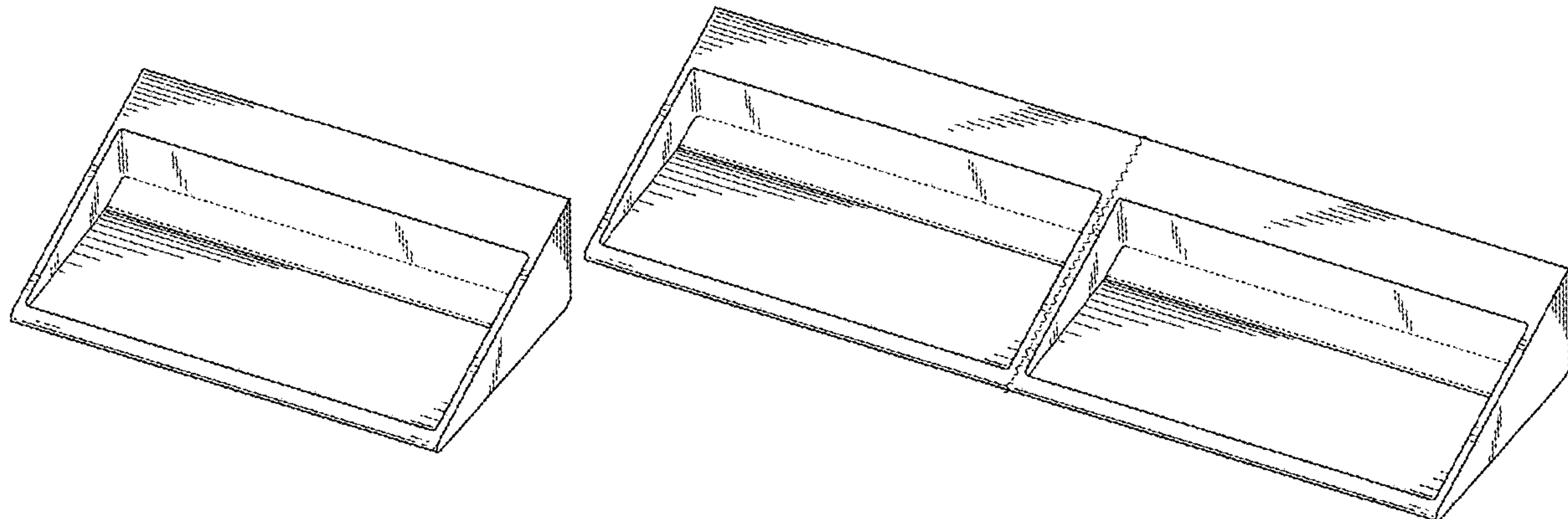
The ornamental design of a sink basin, as shown and described.

**DESCRIPTION**

FIG. 1 is a top right perspective view of a sink basin according to my new design;  
 FIG. 2 is a bottom right perspective view of the sink basin seen in FIG. 1;  
 FIG. 3 is a front view of the sink basin seen in FIG. 1;  
 FIG. 4 is a rear view of the sink basin seen in FIG. 1;  
 FIG. 5 is a right side view of the sink basin seen in FIG. 1, the left side view being a mirror image thereof;  
 FIG. 6 is a top plan view of the sink basin seen in FIG. 1;  
 FIG. 7 is a bottom plan view of the sink basin seen in FIG. 1;  
 FIG. 8 is a top right perspective view of another embodiment of a sink basin according to my new design;  
 FIG. 9 is a bottom right perspective view of the sink basin seen in FIG. 8;  
 FIG. 10 is a front view of the sink basin seen in FIG. 8;  
 FIG. 11 is a rear view of the sink basin seen in FIG. 8;  
 FIG. 12 is a right side view of the sink basin seen in FIG. 8, the left side view being a mirror image thereof;  
 FIG. 13 is a top plan view of the sink basin seen in FIG. 8;  
 and,  
 FIG. 14 is a bottom plan view of the sink basin seen in FIG. 8.

In FIGS. 8-14, the sink basin is shown with a symbolic break in its length. The appearance of any portion of the article between the break lines forms no part of the claimed design. In the drawings, the broken lines depict environmental subject matter only and form no part of the claimed design. Shade lines in the figures are a combination of long and short lines and show surface contour, not surface ornamentation.

**1 Claim, 9 Drawing Sheets**



(56)

**References Cited**

U.S. PATENT DOCUMENTS

D913,457 S \* 3/2021 Haas ..... D23/290  
2020/0046172 A1\* 2/2020 Loberger ..... A47K 1/00

\* cited by examiner

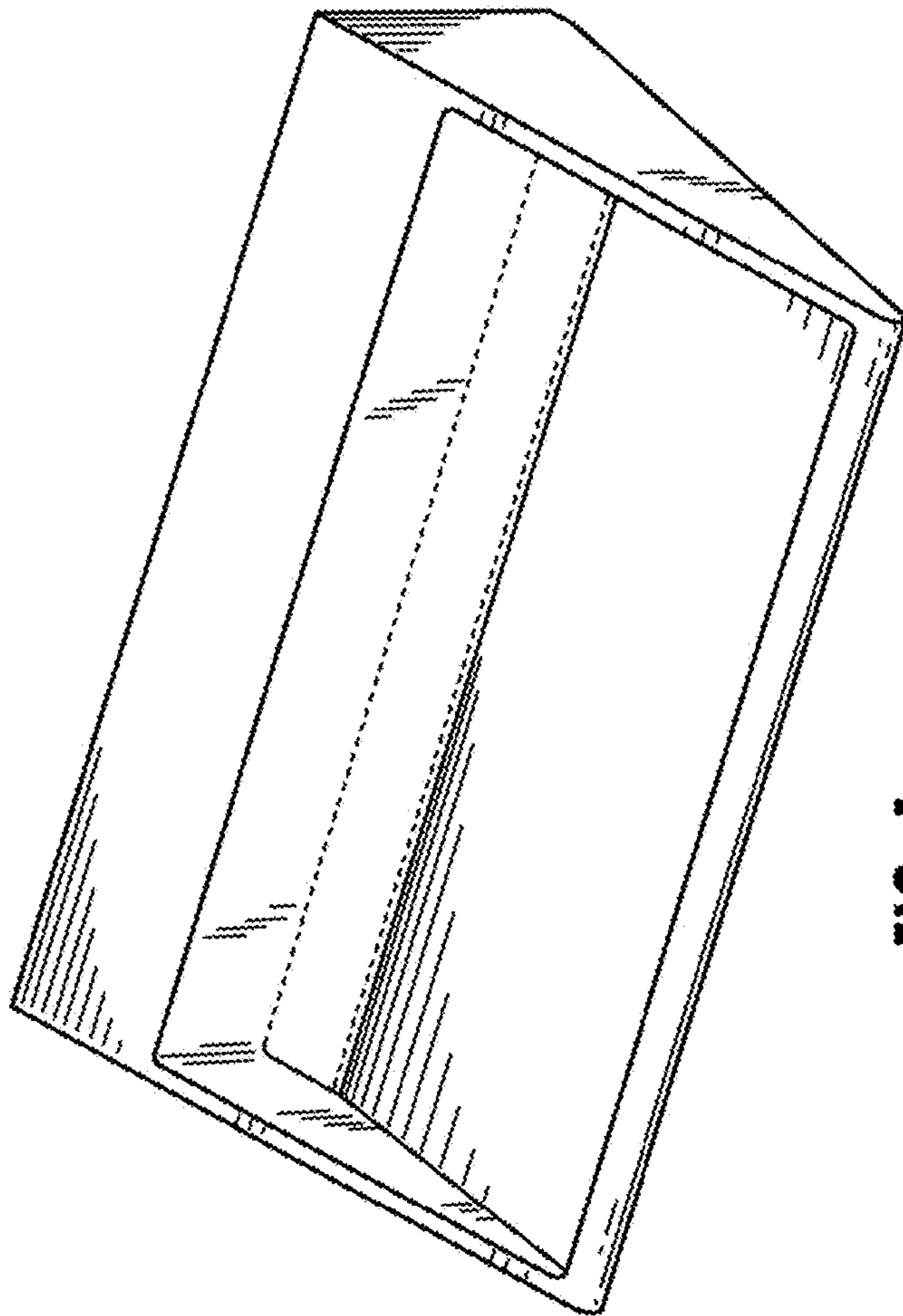


FIG. 1

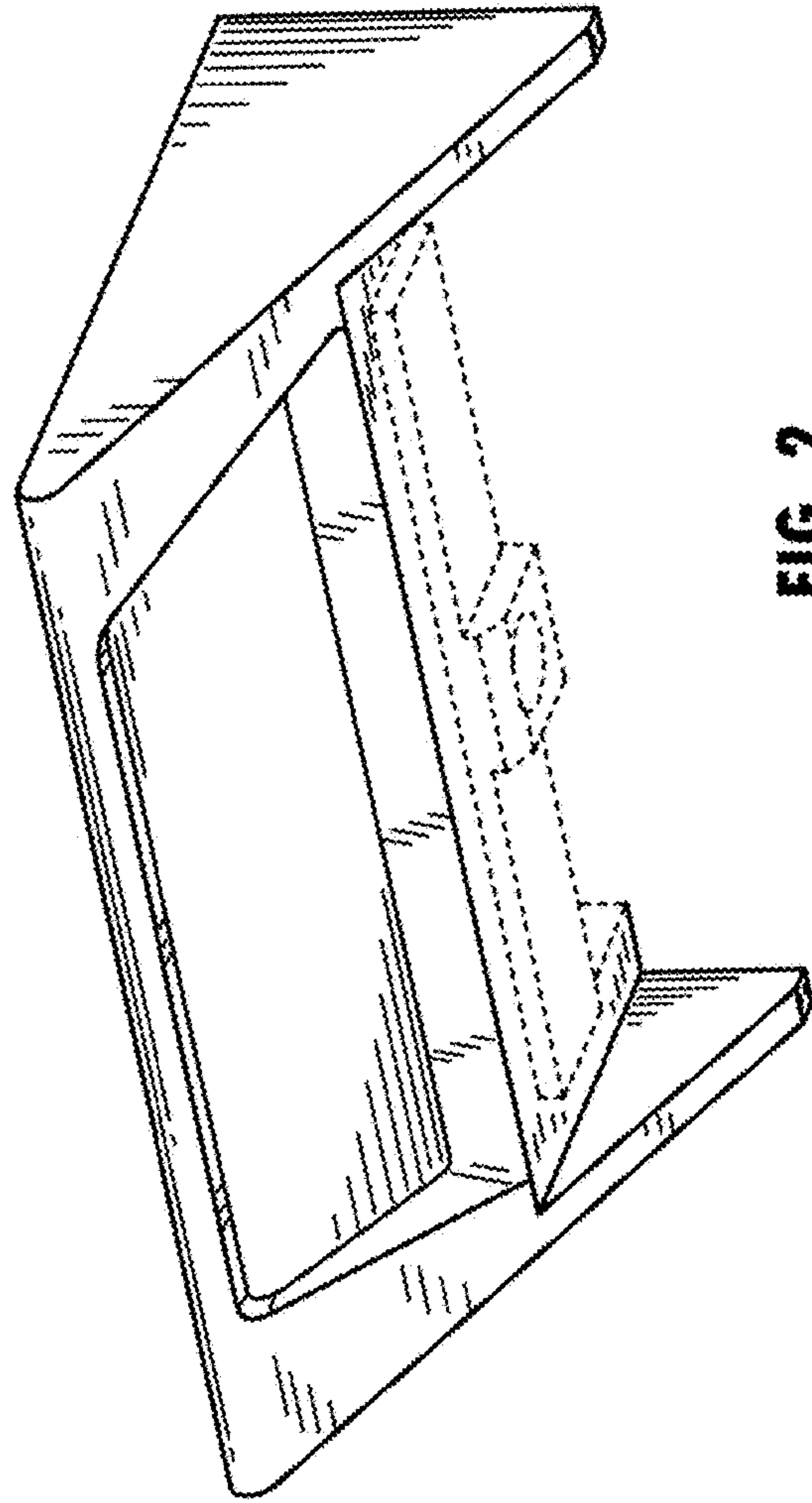
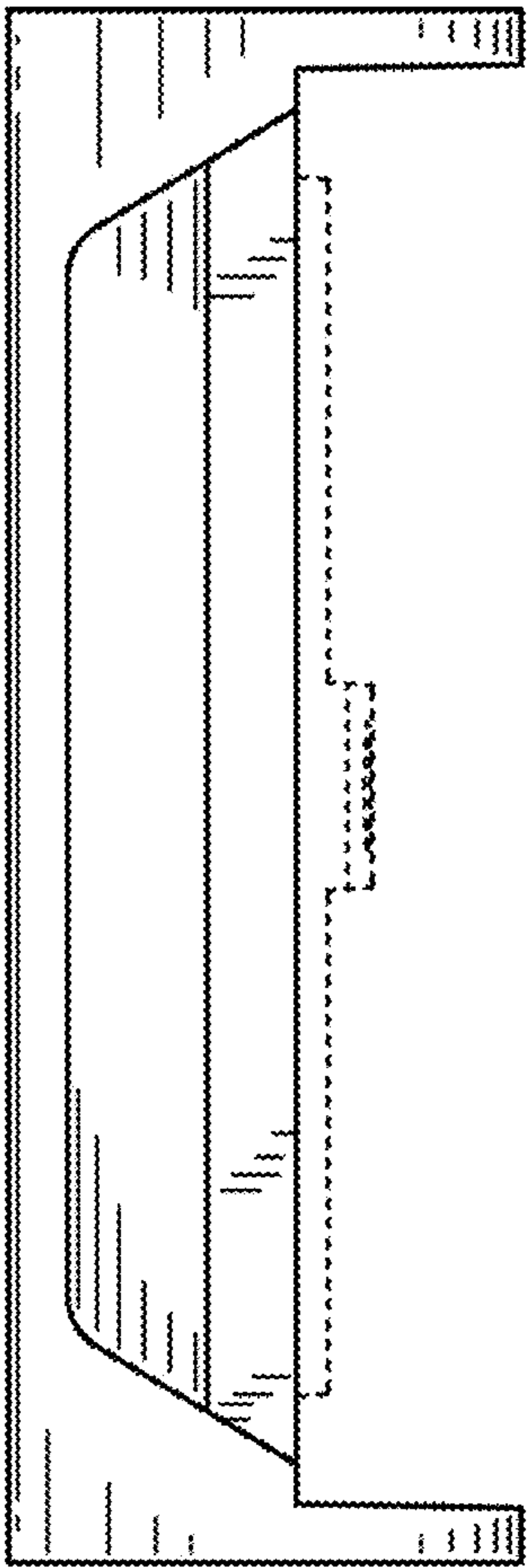
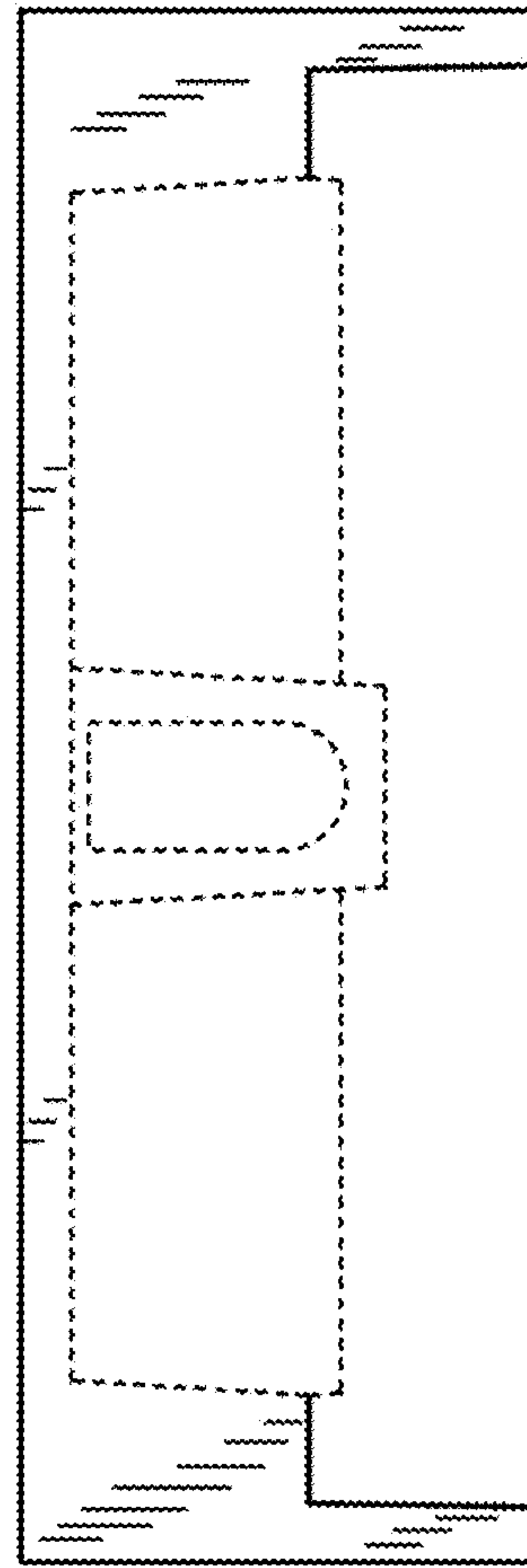


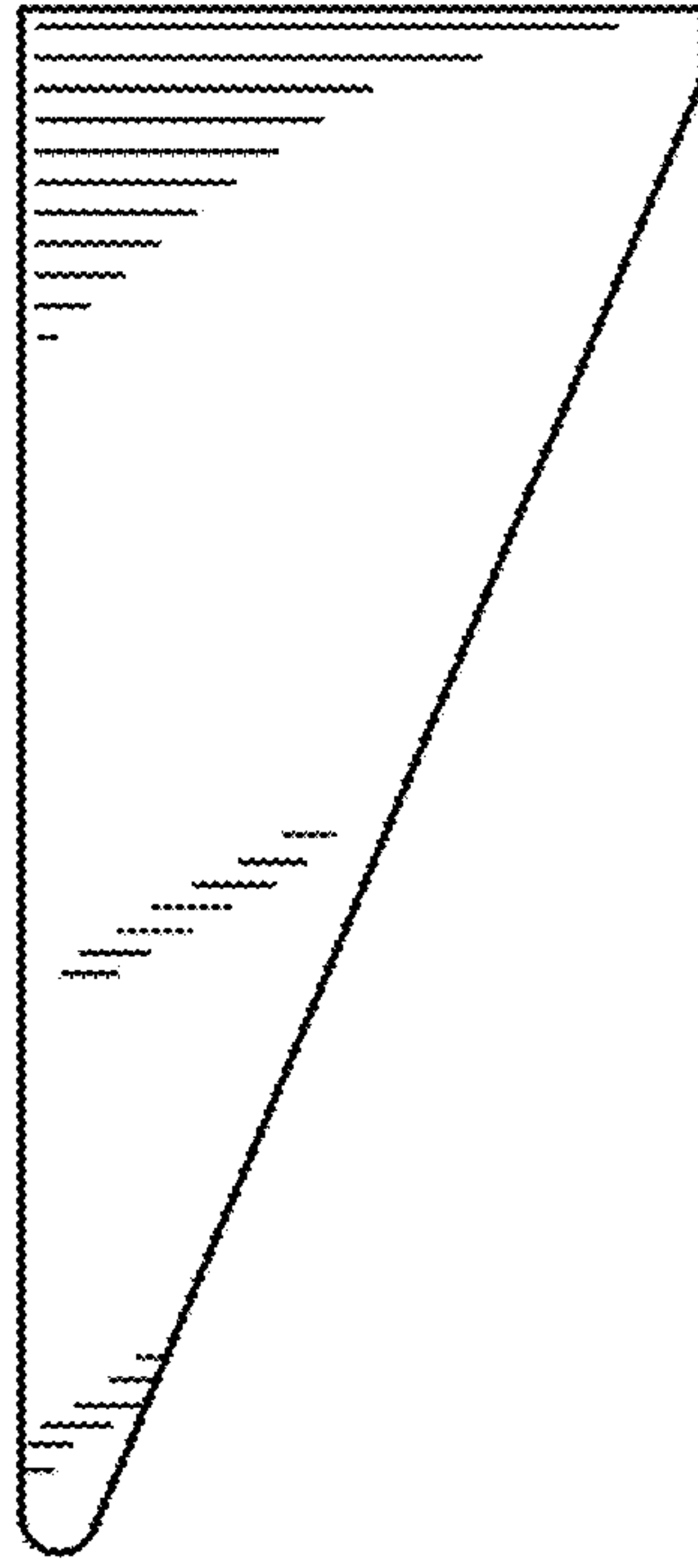
FIG. 2



**FIG. 3**



**FIG. 4**



**FIG. 5**



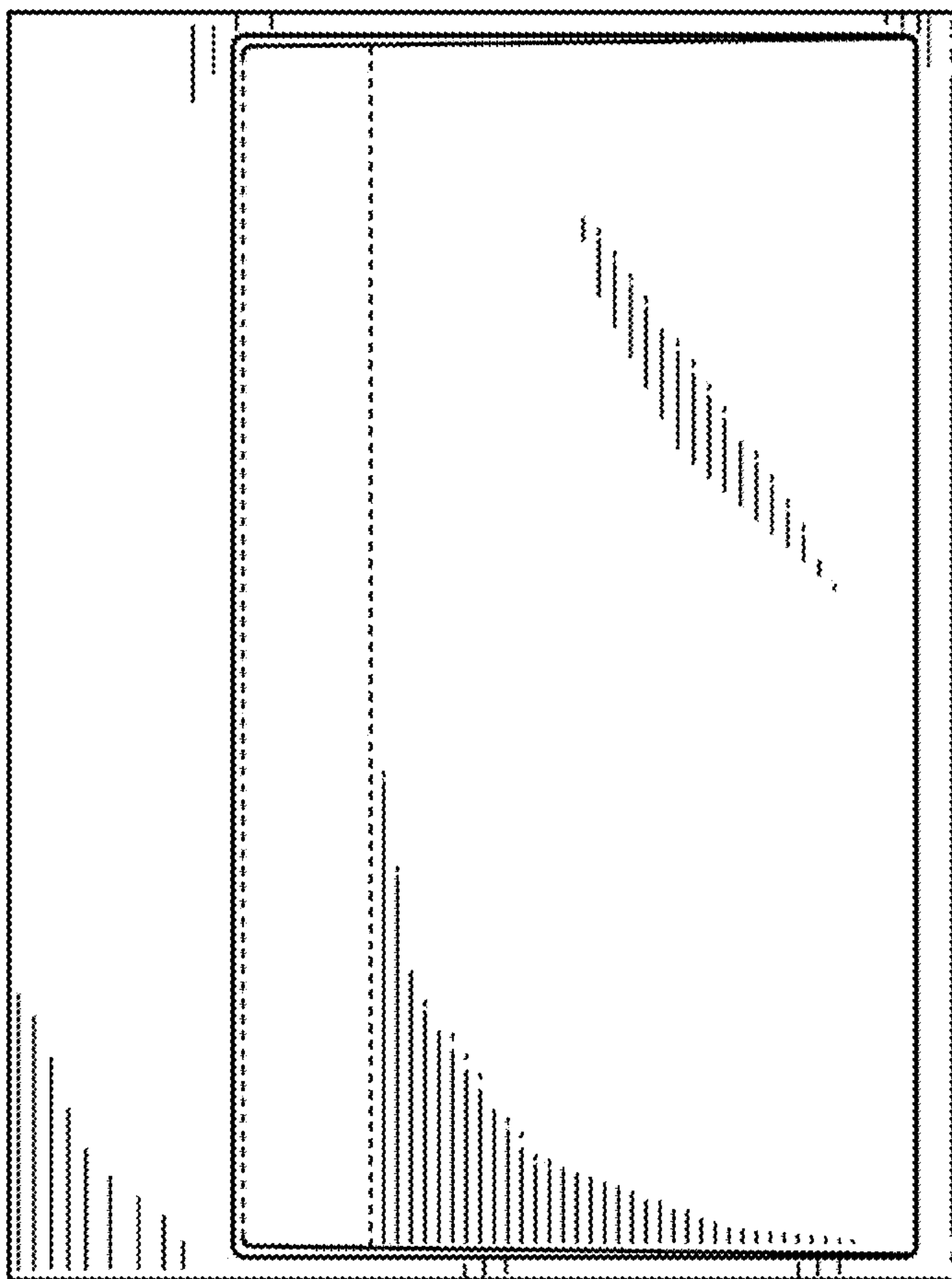


FIG. 6

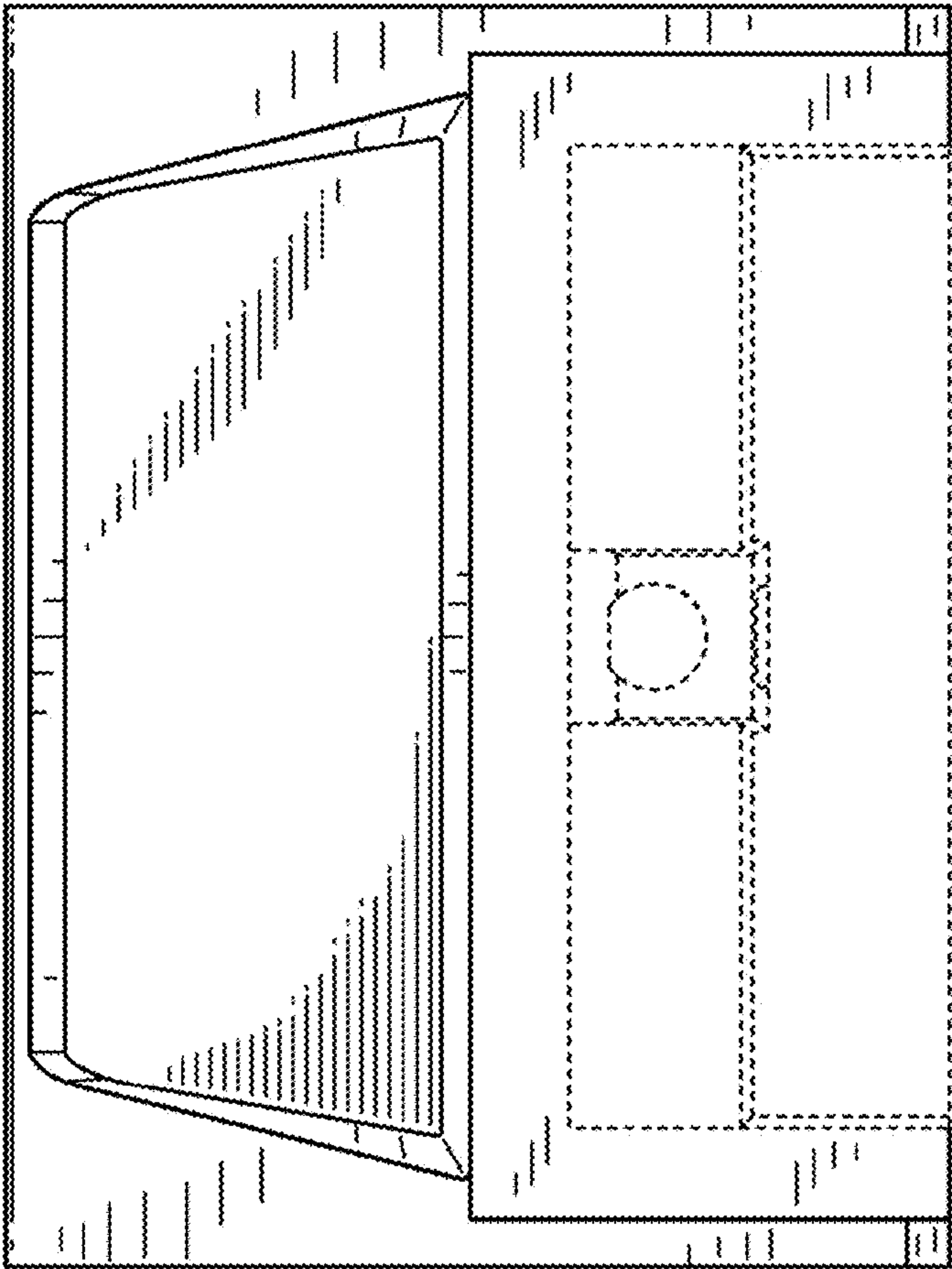


FIG. 7

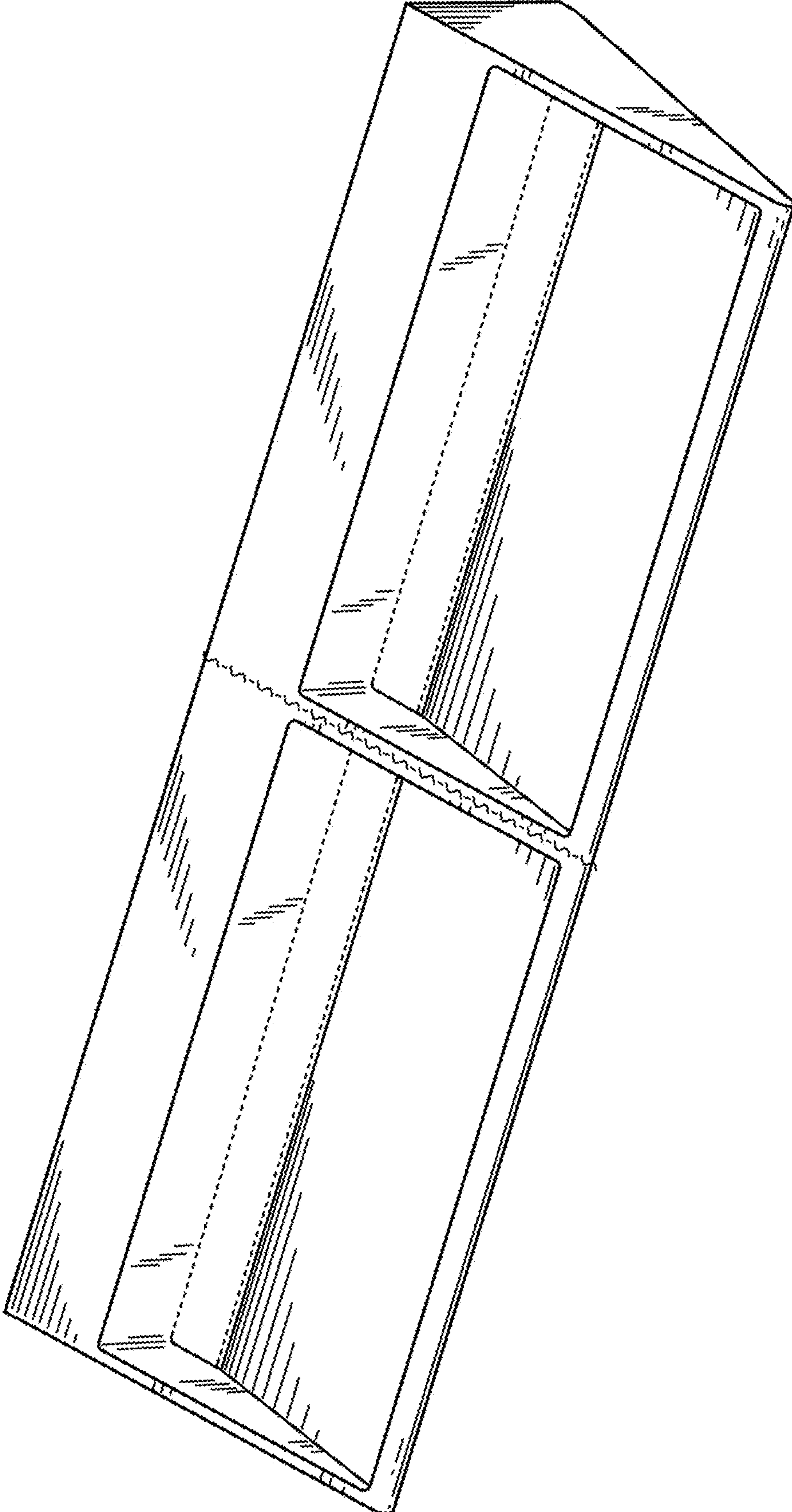


FIG. 8

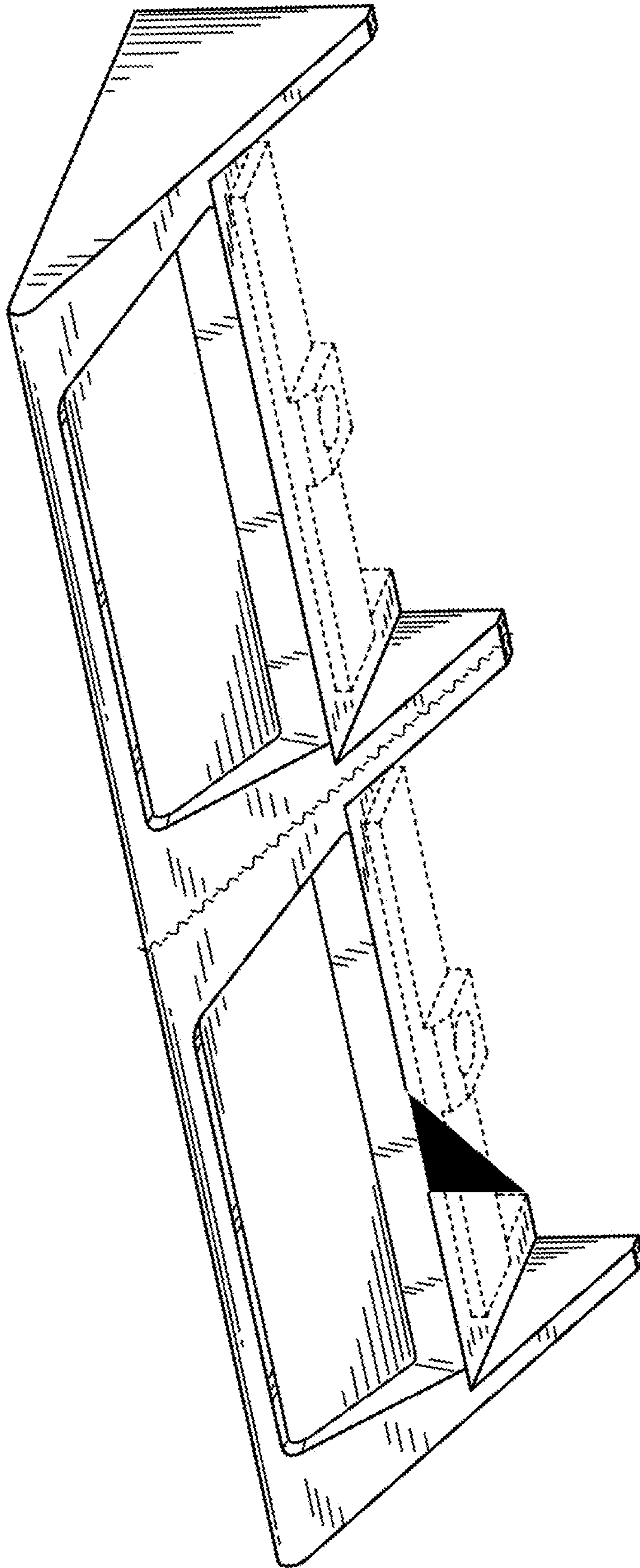


FIG. 9



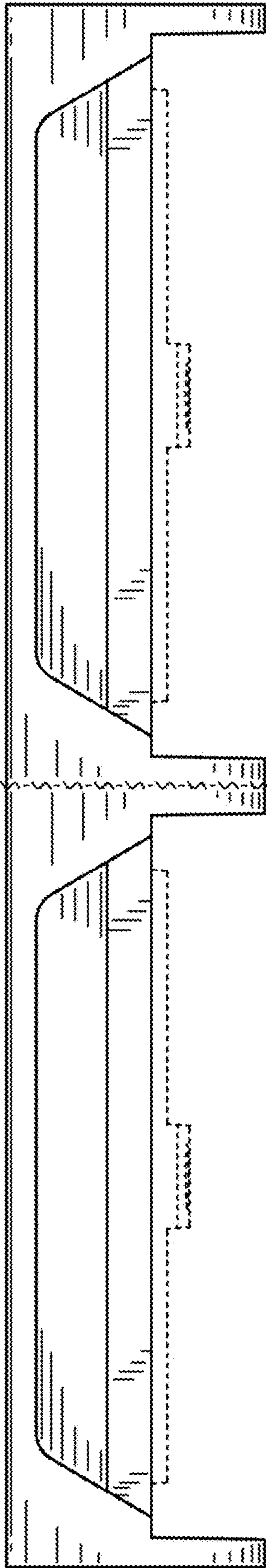


FIG. 10

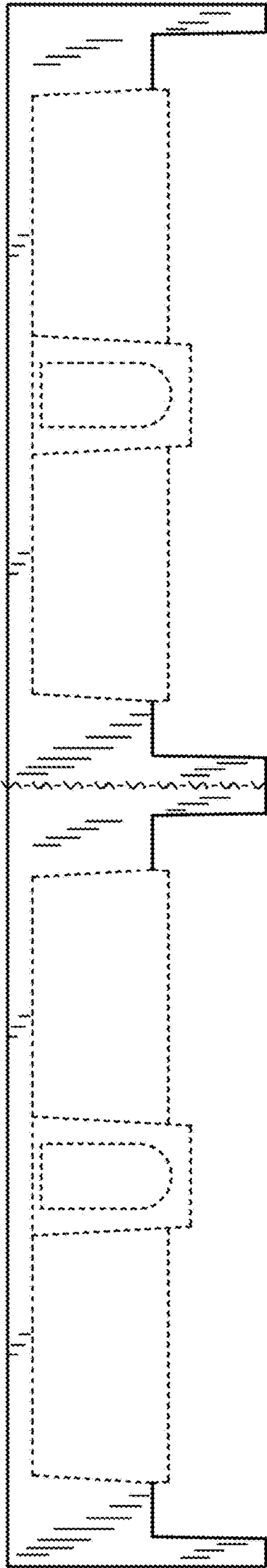


FIG. 11

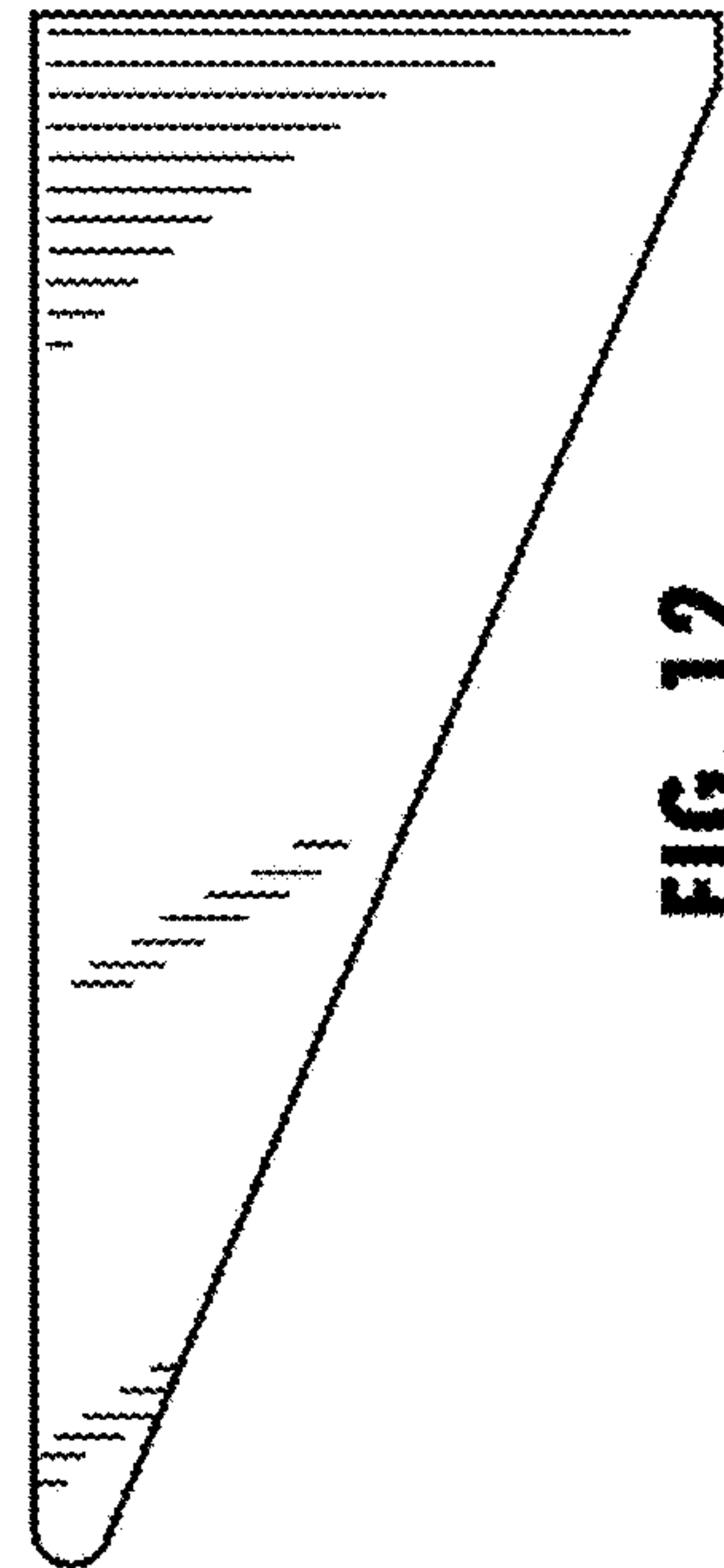


FIG. 12

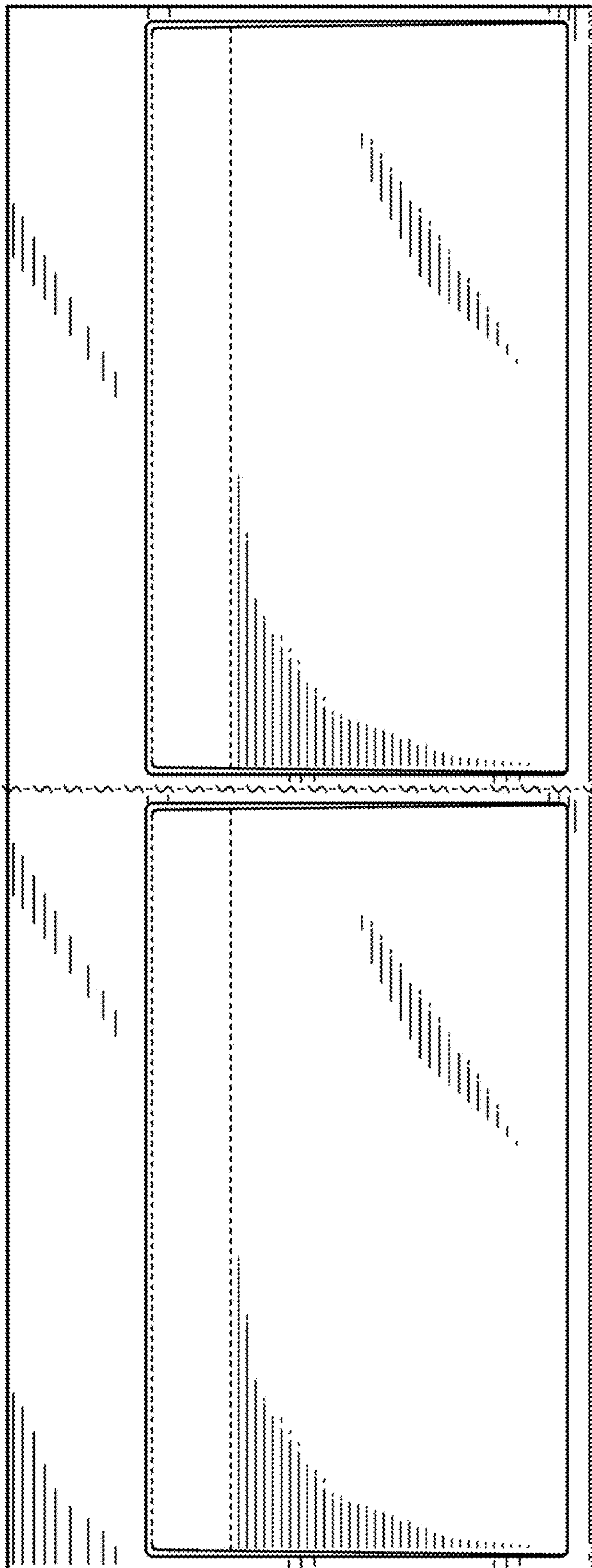


FIG. 13

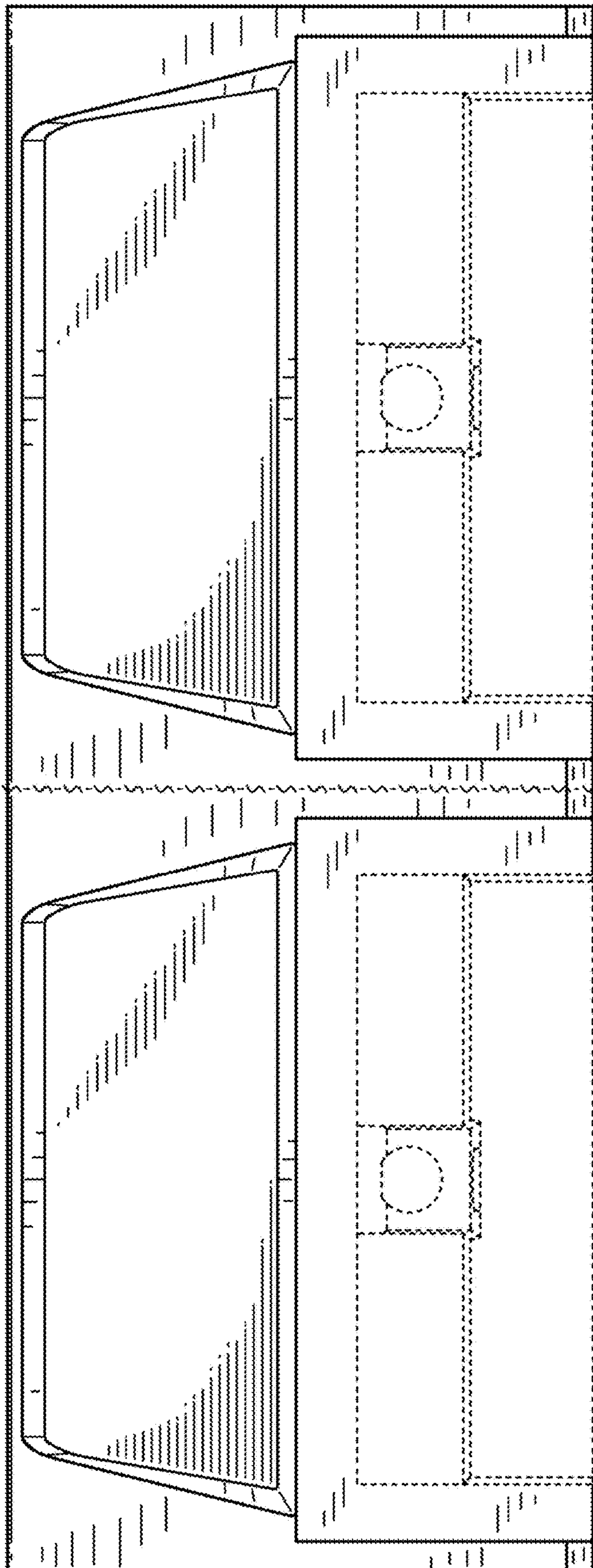


FIG. 14