



US00D949294S

(12) **United States Design Patent**
Chandler

(10) **Patent No.:** **US D949,294 S**

(45) **Date of Patent:** **** Apr. 19, 2022**

(54) **PLUMBING FITTING**

(71) Applicant: **Vista Water Group, LLC**, Ashland, OH (US)

(72) Inventor: **James W. Chandler**, Ashland, OH (US)

(73) Assignee: **Vista Water Group, LLC**, Ashland, OH (US)

(**) Term: **15 Years**

(21) Appl. No.: **29/737,458**

(22) Filed: **Jun. 9, 2020**

(51) **LOC (13) Cl.** **23-01**

(52) **U.S. Cl.**
USPC **D23/259**

(58) **Field of Classification Search**
USPC D23/213, 226, 245, 259, 262, 266, 206, D23/233, 263, 265, 234-237, 258; D24/108, 112-113, 129, 133, 135, D24/137-138, 141, 127; 285/239, 305, 285/308, 316-318, 322, 83, 275, 277, 285/148.14, 148.21, 268, 148.2, 179, 53, 285/148.19, 148.22, 235; 137/614.04, 137/149.6, 515, 798; D8/14.1, 45, 382; D13/154-156

CPC F16L 11/00; F16L 37/0985; F16L 33/30; F16L 55/1157; F16L 37/32; F16K 27/0209; F16K 31/12

See application file for complete search history.

(56) **References Cited**

U.S. PATENT DOCUMENTS

- 3,509,908 A * 5/1970 Holbert, Jr. F16K 15/033 137/527
- D352,770 S * 11/1994 Lopez D23/259
- D353,443 S * 12/1994 Lopez D23/259
- D385,951 S * 11/1997 Szymanski D23/237

- D449,370 S * 10/2001 Palestrant D23/213
- D557,376 S * 12/2007 Zerrer D23/213
- 7,328,921 B1 * 2/2008 Miciukiewicz F16L 27/0828 285/121.3
- D674,058 S * 1/2013 Yu D23/262
- D681,784 S * 5/2013 Liljegren D23/262
- D721,789 S * 1/2015 Lu D23/237
- D750,570 S * 3/2016 Smith D13/155

(Continued)

OTHER PUBLICATIONS

Drain Gap Drain Hub Multi-Port Drain Adapters Product Sheet; "They're like power strips for drain connectors"; Copyright Date 2021; Visited Online Dec. 14, 2021; <https://vistawatergroup.com/docs/M2507-211116-DrainHub-Product-Sheet.pdf> (Year: 2021).*

(Continued)

Primary Examiner — Amy C Wierenga

(74) *Attorney, Agent, or Firm* — Ralph E. Jocke; Walker & Jocke

(57) **CLAIM**

The ornamental design for a plumbing fitting, as shown and described.

DESCRIPTION

FIG. 1 is a top front perspective view of the plumbing fitting showing my new design.

FIG. 2 is a top right perspective view thereof.

FIG. 3 is a bottom front perspective view thereof.

FIG. 4 is a bottom right perspective view thereof.

FIG. 5 is a right side view thereof, a left side view being a mirror image thereof.

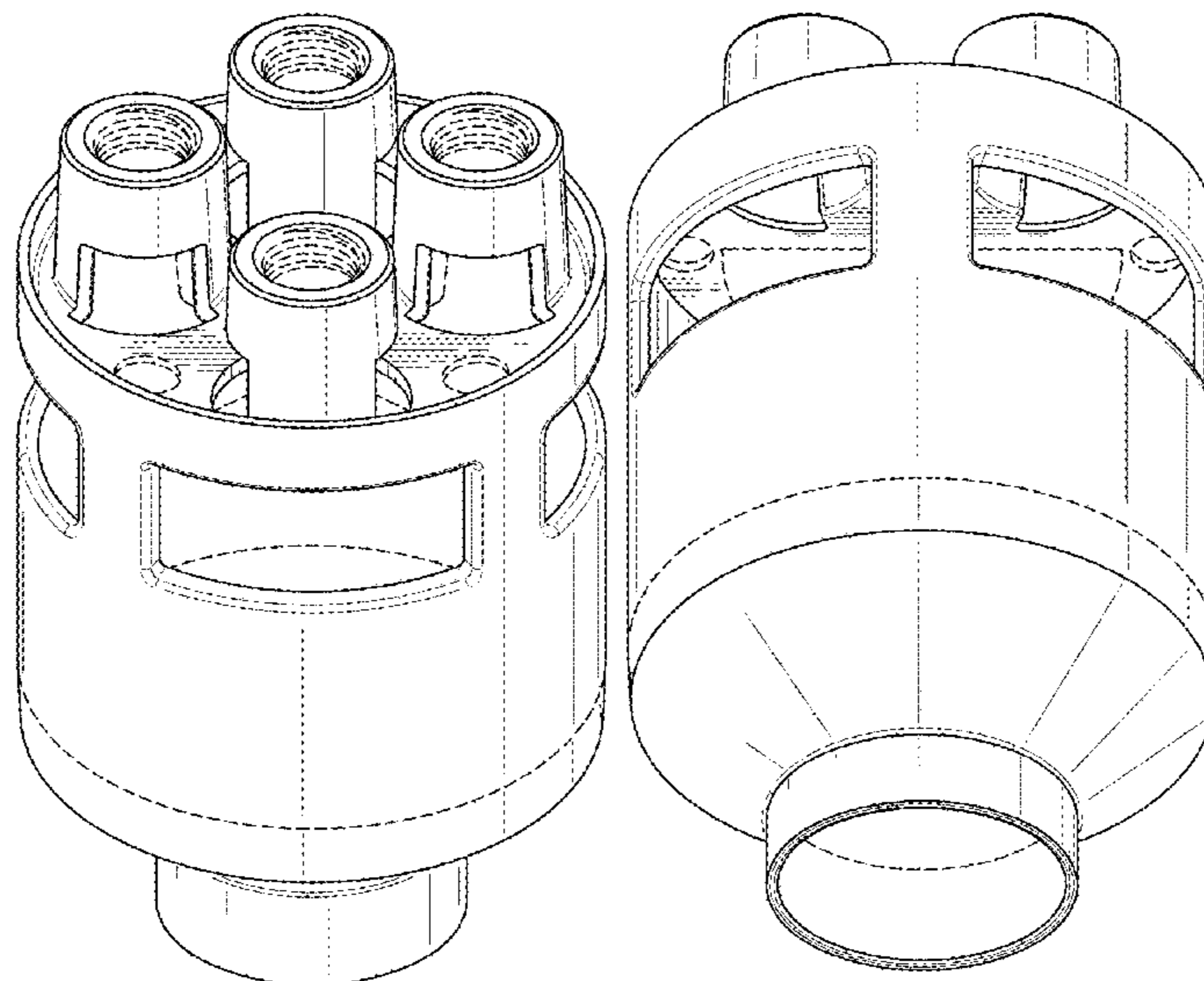
FIG. 6 is a front view thereof, a back view being a mirror image thereof.

FIG. 7 is a top view thereof; and,

FIG. 8 is a bottom view thereof.

The dashed broken lines depict portions of the plumbing fitting that form no part of the claim.

1 Claim, 4 Drawing Sheets



(56)

References Cited

U.S. PATENT DOCUMENTS

D804,617 S * 12/2017 Armstrong D23/259
D836,774 S * 12/2018 Ross D24/127
D852,144 S * 6/2019 Maegawa D13/156
D883,431 S * 5/2020 Meyer D23/213

OTHER PUBLICATIONS

Drain Gap Multi-Port Drain Adapter; Vista Water Group Website
Copyright Date 2021; Visited Online Dec. 14, 2021; <https://vistawatergroup.com/draingap-multi-port-drain-adapter> (Year: 2021).*

* cited by examiner

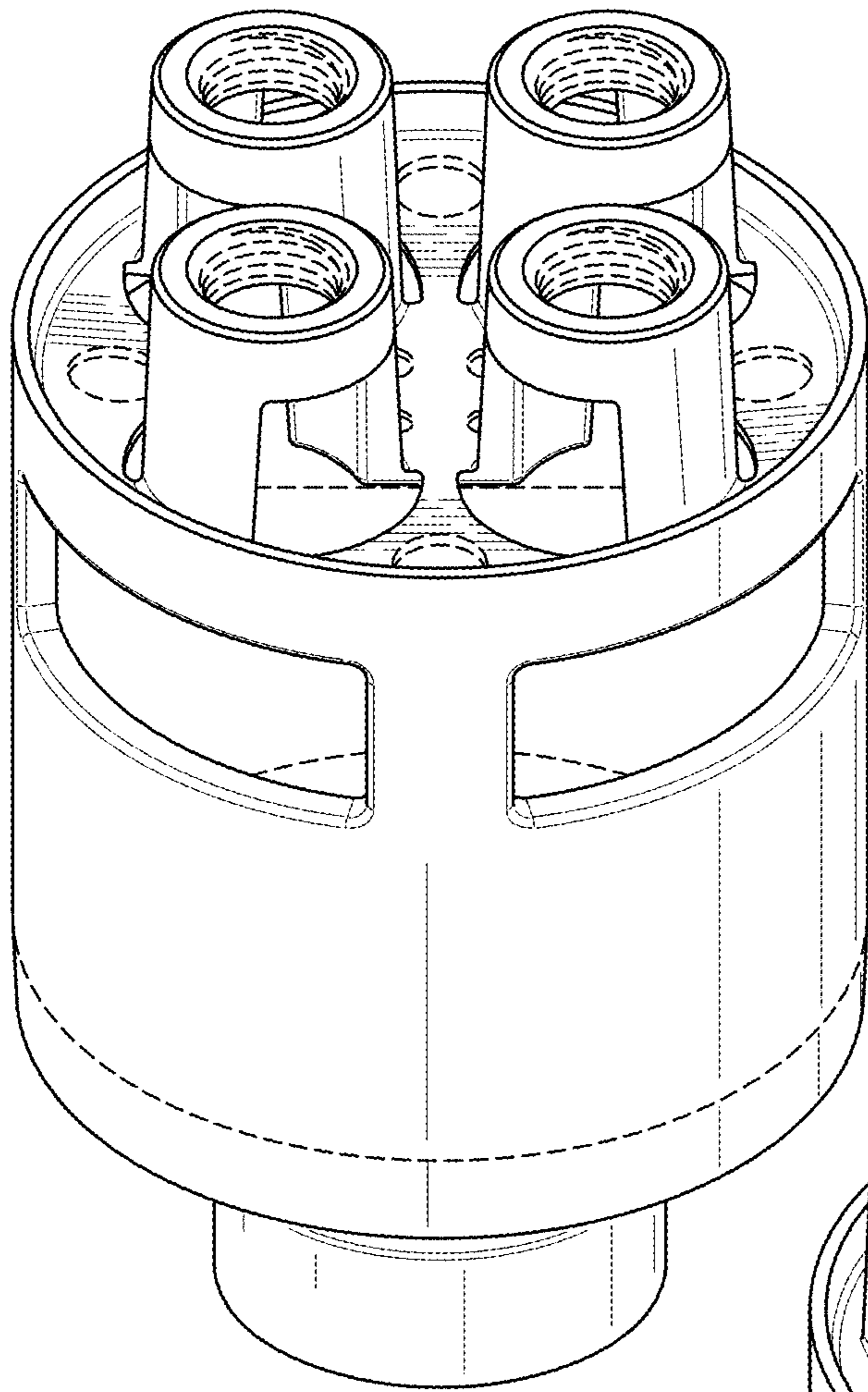


FIG. 1

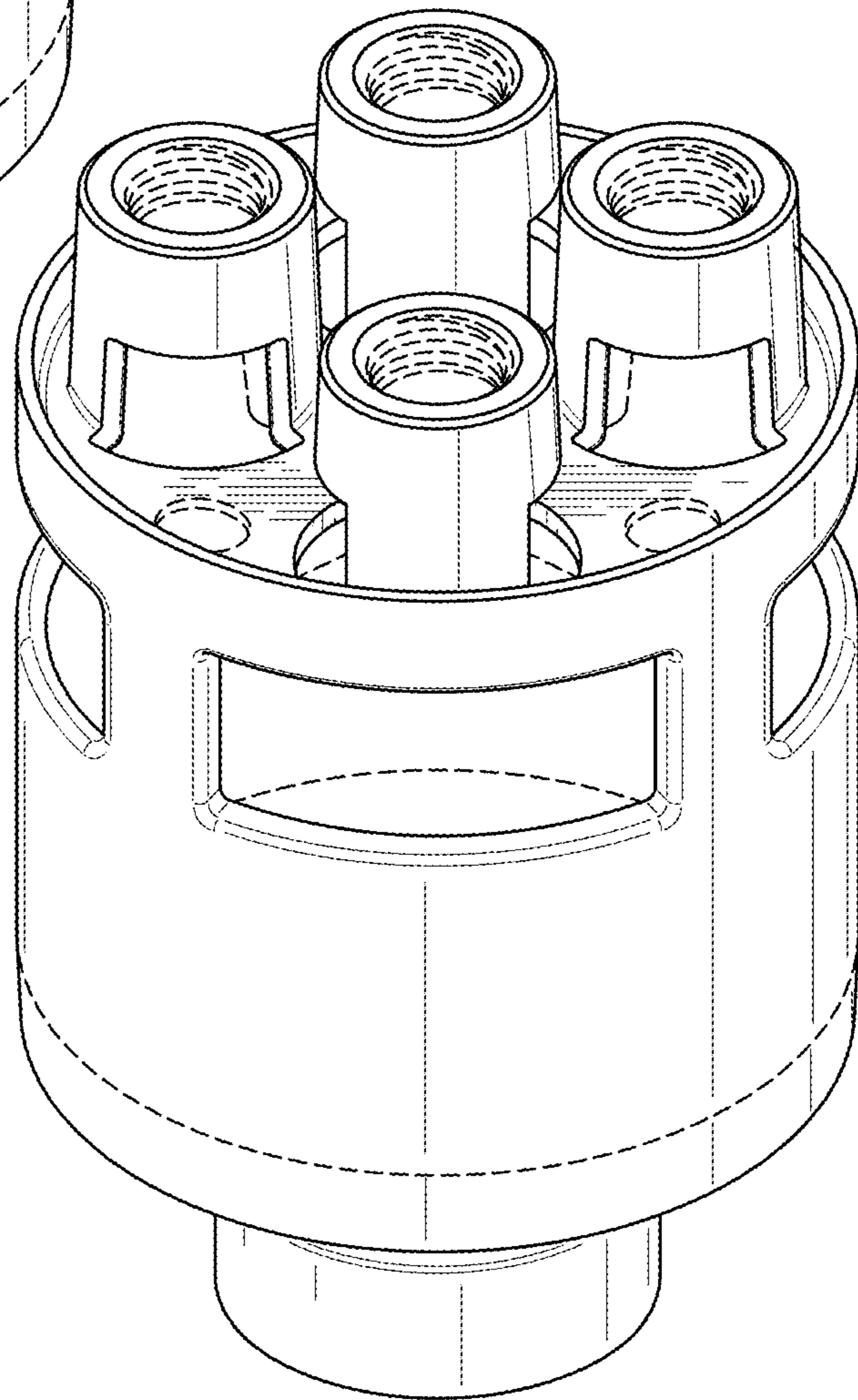


FIG. 2

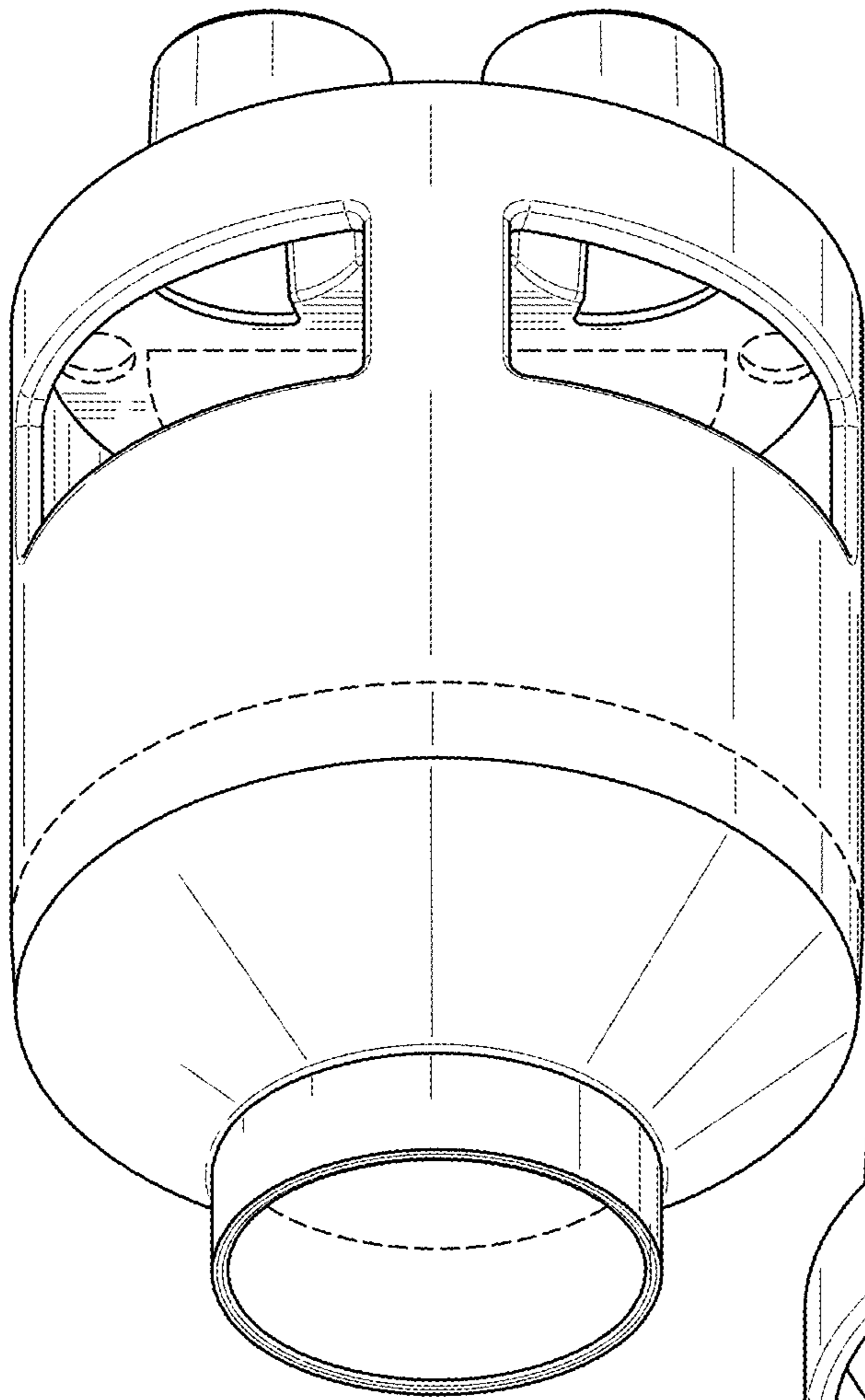


FIG. 3

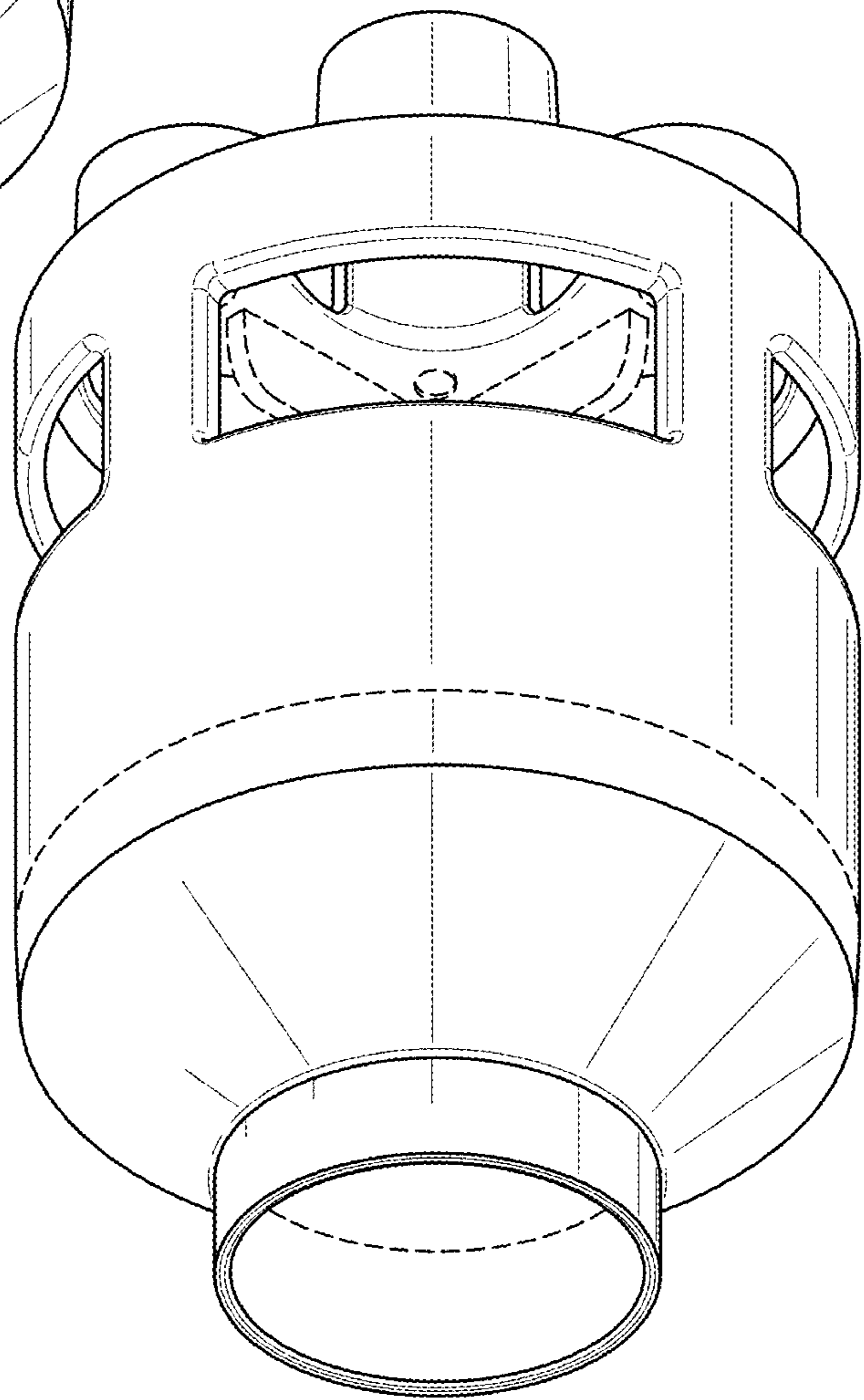


FIG. 4

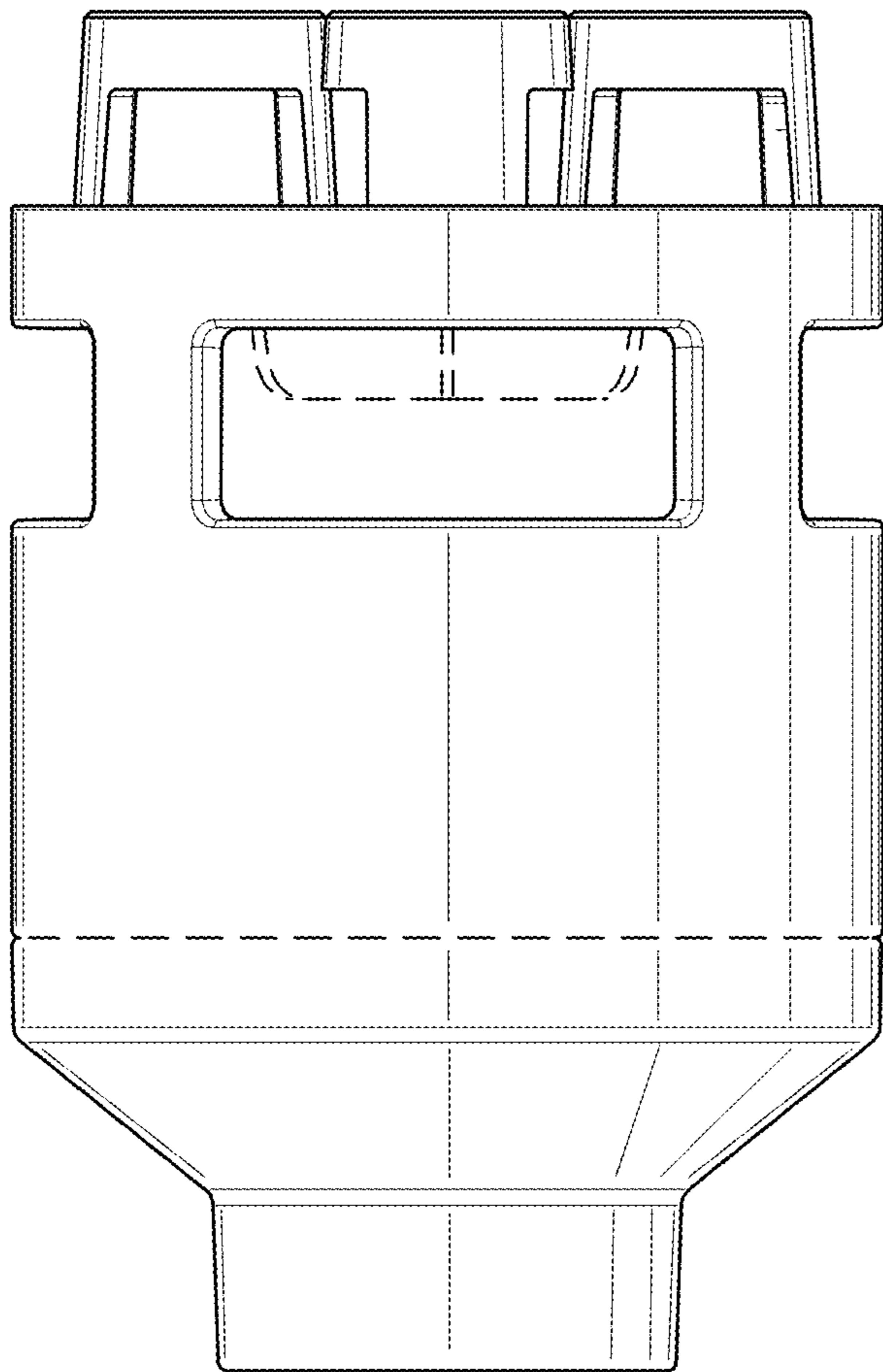


FIG. 5

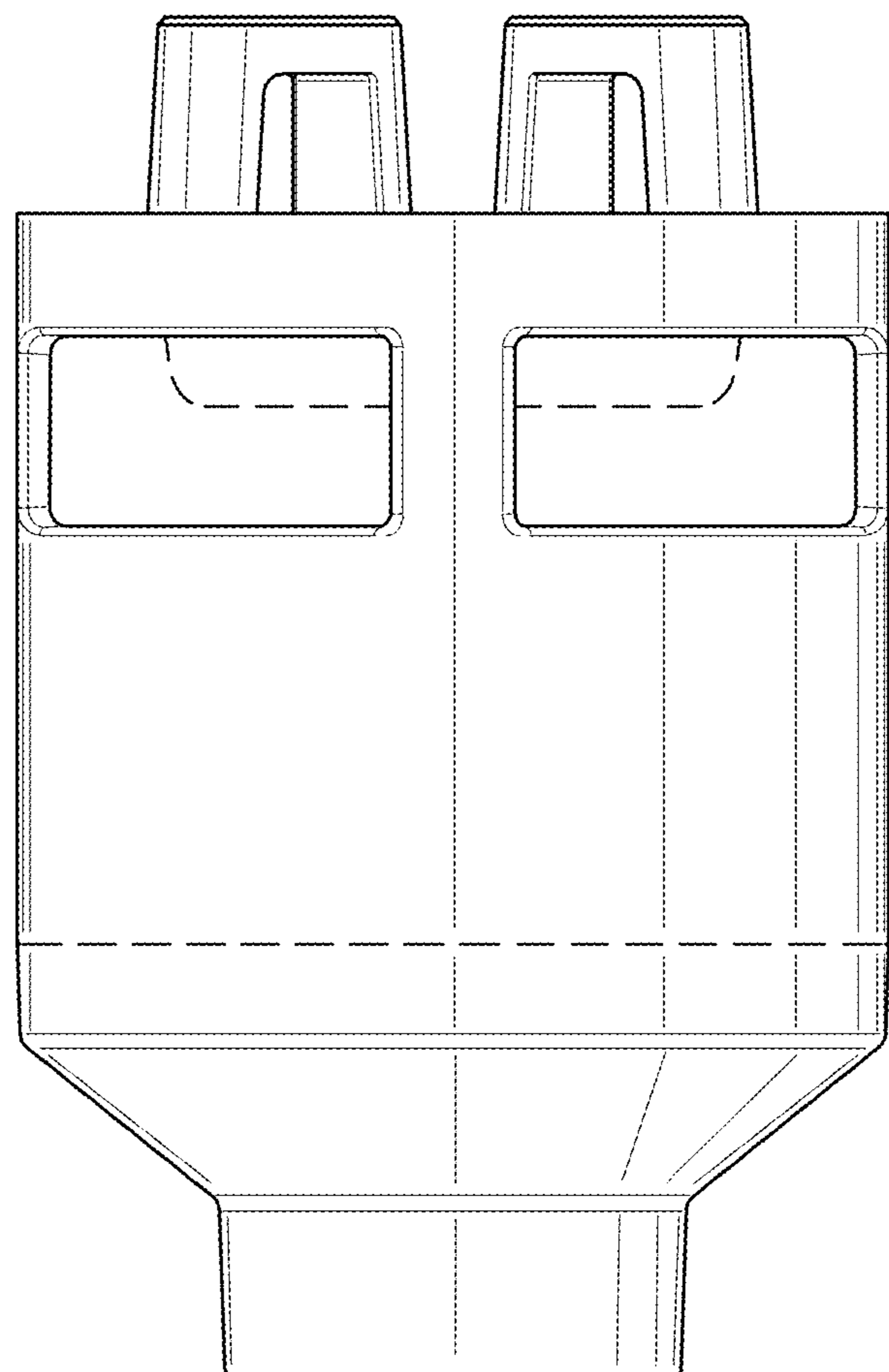


FIG. 6

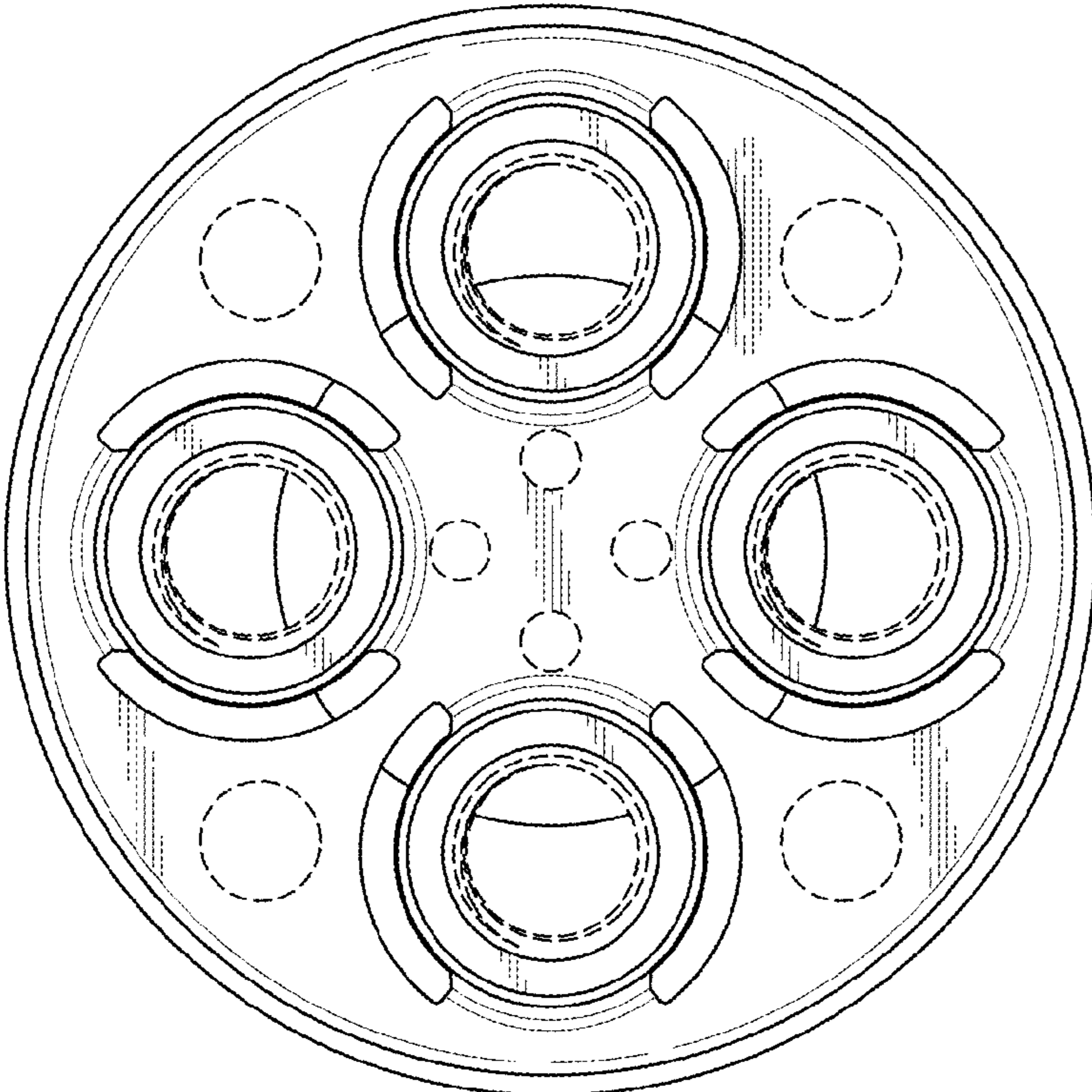


FIG. 7

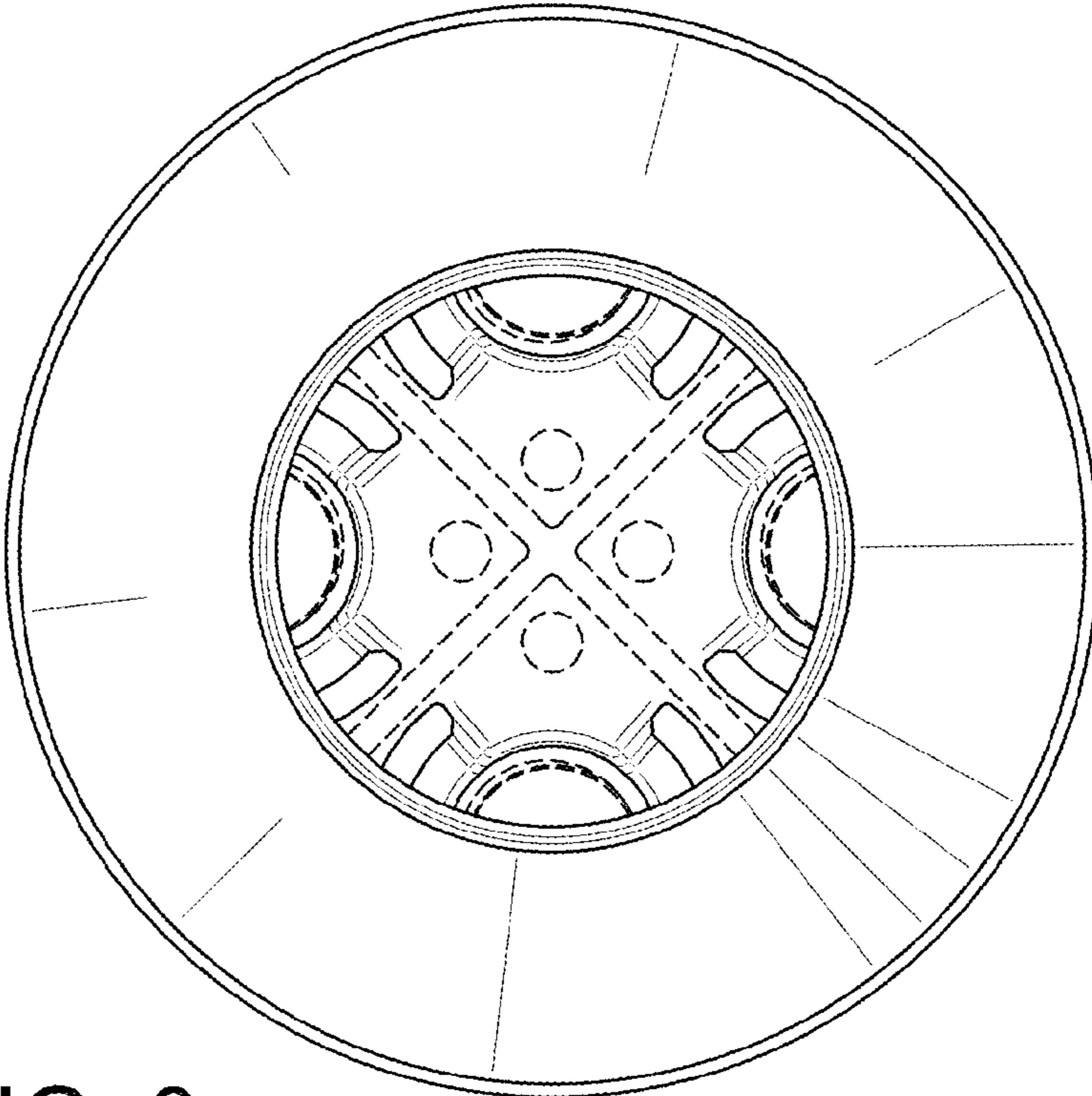


FIG. 8