



US00D949293S

(12) **United States Design Patent**
Lamis et al.

(10) **Patent No.:** **US D949,293 S**

(45) **Date of Patent:** **** Apr. 19, 2022**

(54) **PLUMBING FIXTURE**

(71) Applicant: **Kohler Co.**, Kohler, WI (US)

(72) Inventors: **Alexander P. Lamis**, New York, NY (US); **Daniel J. Lobitz**, New York, NY (US)

(73) Assignee: **Kohler Co.**, Kohler, WI (US)

(**) Term: **15 Years**

(21) Appl. No.: **29/718,195**

(22) Filed: **Dec. 20, 2019**

(51) **LOC (13) Cl.** **23-01**

(52) **U.S. Cl.**
USPC **D23/255**

(58) **Field of Classification Search**
USPC D23/238–243, 250, 252, 254, 245, 249,
D23/255–257; D8/307–308
See application file for complete search history.

(56) **References Cited**

U.S. PATENT DOCUMENTS

4,083,383	A	*	4/1978	Antoniello	Y10T 137/88102 137/616.7
D319,294	S	*	8/1991	Kohler, Jr.	D23/254
D474,957	S	*	5/2003	Singtoroj	D23/252
D564,634	S	*	3/2008	Kirar	D23/252
D568,447	S	*	5/2008	Lai	D23/252
D573,232	S	*	7/2008	Dolan	D23/252
D579,083	S	*	10/2008	Bickler	D23/250
D581,492	S	*	11/2008	Schonherr	D23/255
D582,524	S	*	12/2008	McKeone	D23/255
D622,361	S	*	8/2010	Lammel	D23/255
D629,071	S	*	12/2010	Matsuura	D23/255
D635,647	S	*	4/2011	Montgomery	D23/239
D652,899	S	*	1/2012	Citterio	D23/255
D685,878	S	*	7/2013	Fritz	D23/238
D734,836	S	*	7/2015	Flowers	D23/239
D747,443	S	*	1/2016	Flowers	D23/255

D771,776	S	*	11/2016	Schonherr	D23/239
D790,666	S	*	6/2017	Lord	D23/239
D890,304	S	*	7/2020	Potter	D23/239

* cited by examiner

Primary Examiner — Robert A Delehanty

(74) *Attorney, Agent, or Firm* — Foley & Lardner LLP

(57) **CLAIM**

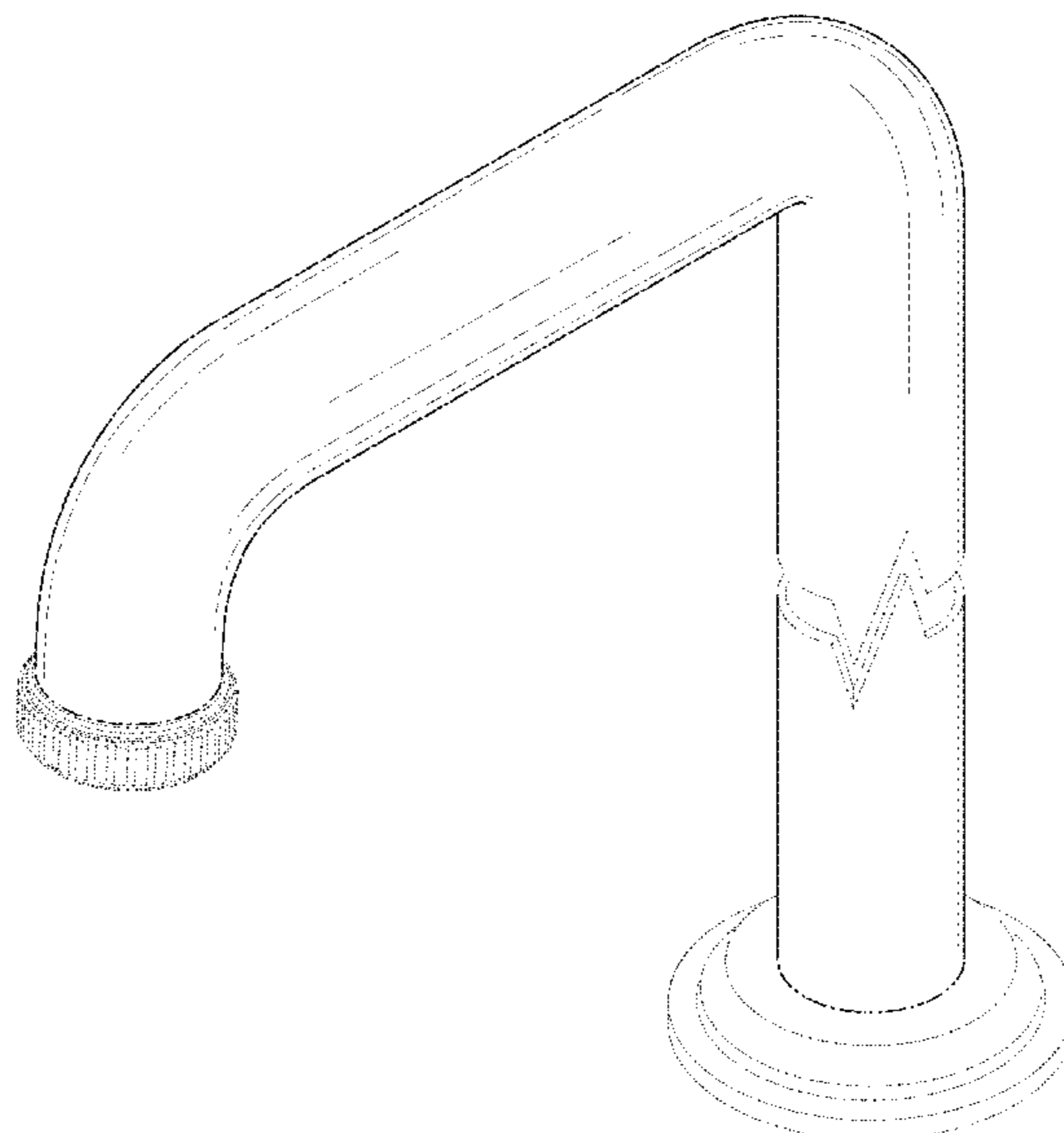
We claim the ornamental design for a plumbing fixture, as shown and described.

DESCRIPTION

FIG. 1 is a perspective view of the claimed design;
FIG. 2 is a front view of the claimed design shown in FIG. 1;
FIG. 3 is a rear view of the claimed design shown in FIG. 1;
FIG. 4 is a side view of the claimed design shown in FIG. 1;
FIG. 5 is another side view of the claimed design shown in FIG. 1;
FIG. 6 is a top view of the claimed design shown in FIG. 1; and,
FIG. 7 is a bottom view of the claimed design shown in FIG. 1.

The ornamental design that is claimed is shown in the drawings as solid lines and surfaces having surface shading. The broken lines in the drawings are for illustrative purposes only and form no part of the claimed design. For example, broken lines formed by equal length dashes show unclaimed portions of the design. Broken lines formed of unequal length dashes (i.e., dash-dot) show boundaries between either claimed and unclaimed portions of the design or between unclaimed and unclaimed portions of the design. Break lines having a jagged element are not part of the claimed. The appearance of any portion of the article between the break lines forms no part of the claimed design.

1 Claim, 5 Drawing Sheets



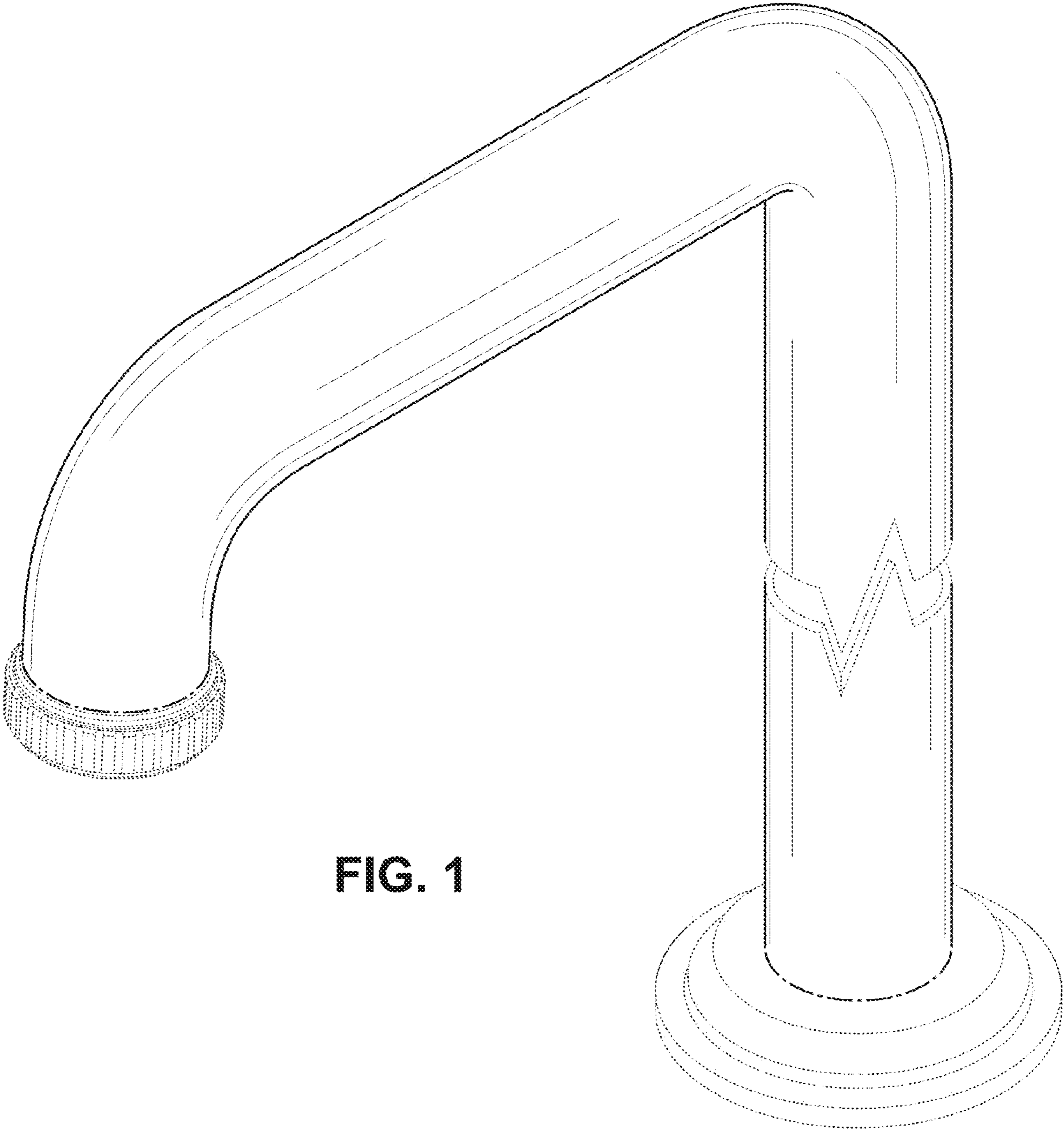


FIG. 1

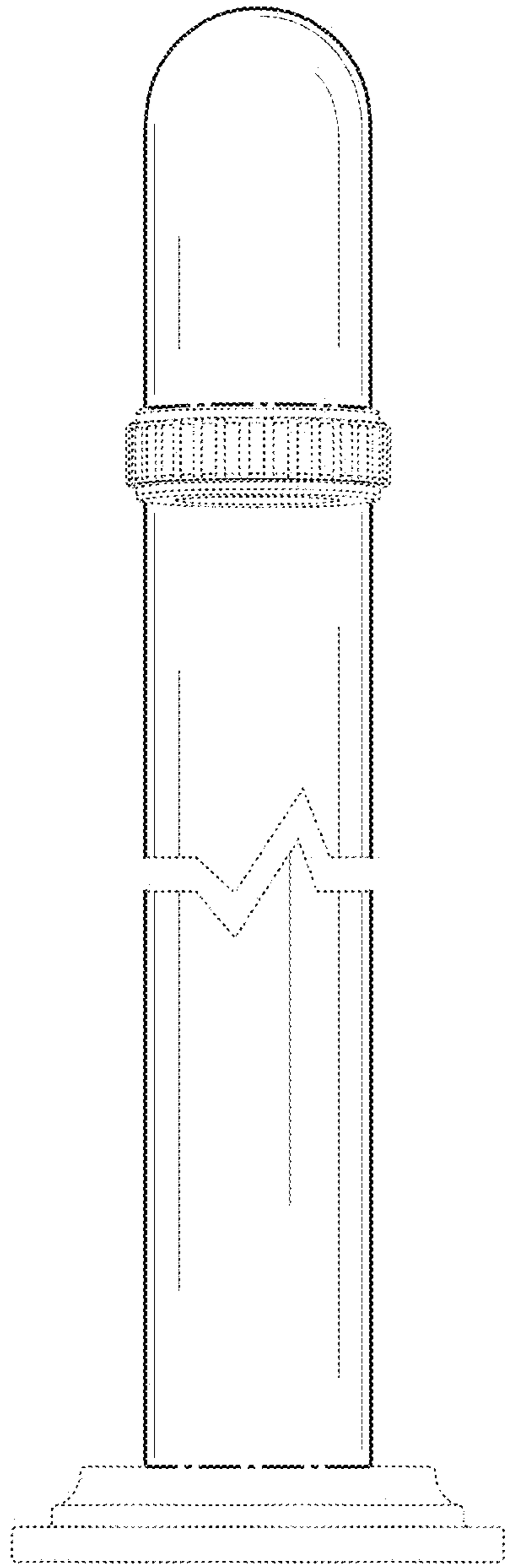


FIG. 2

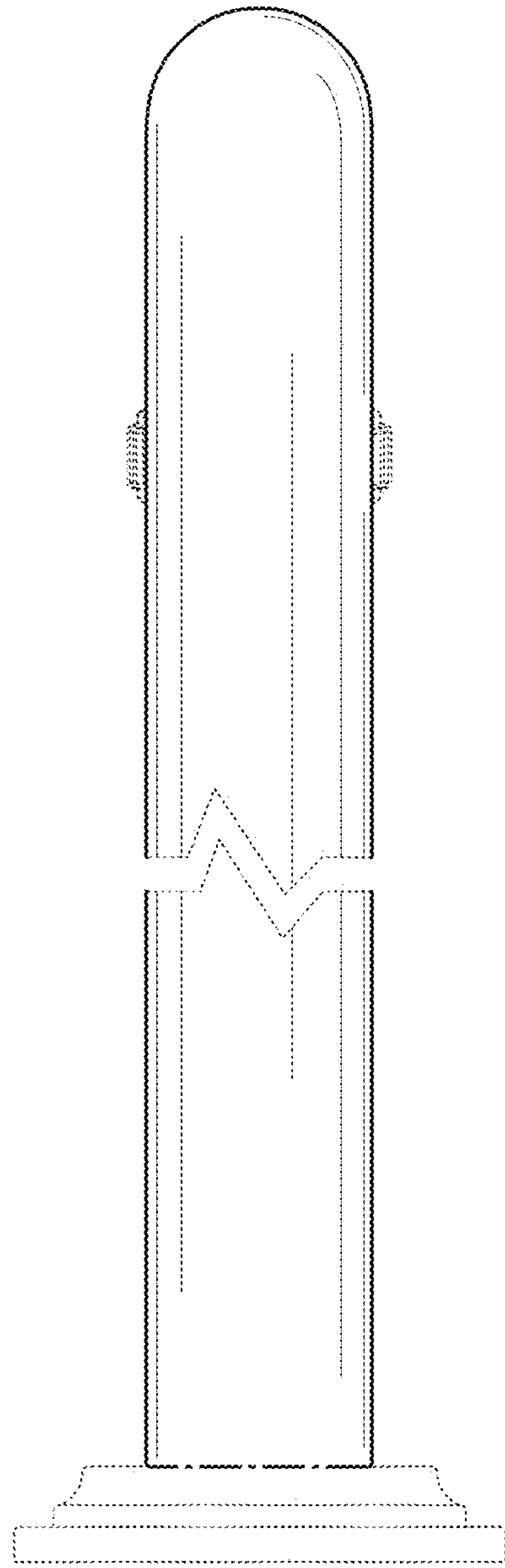


FIG. 3

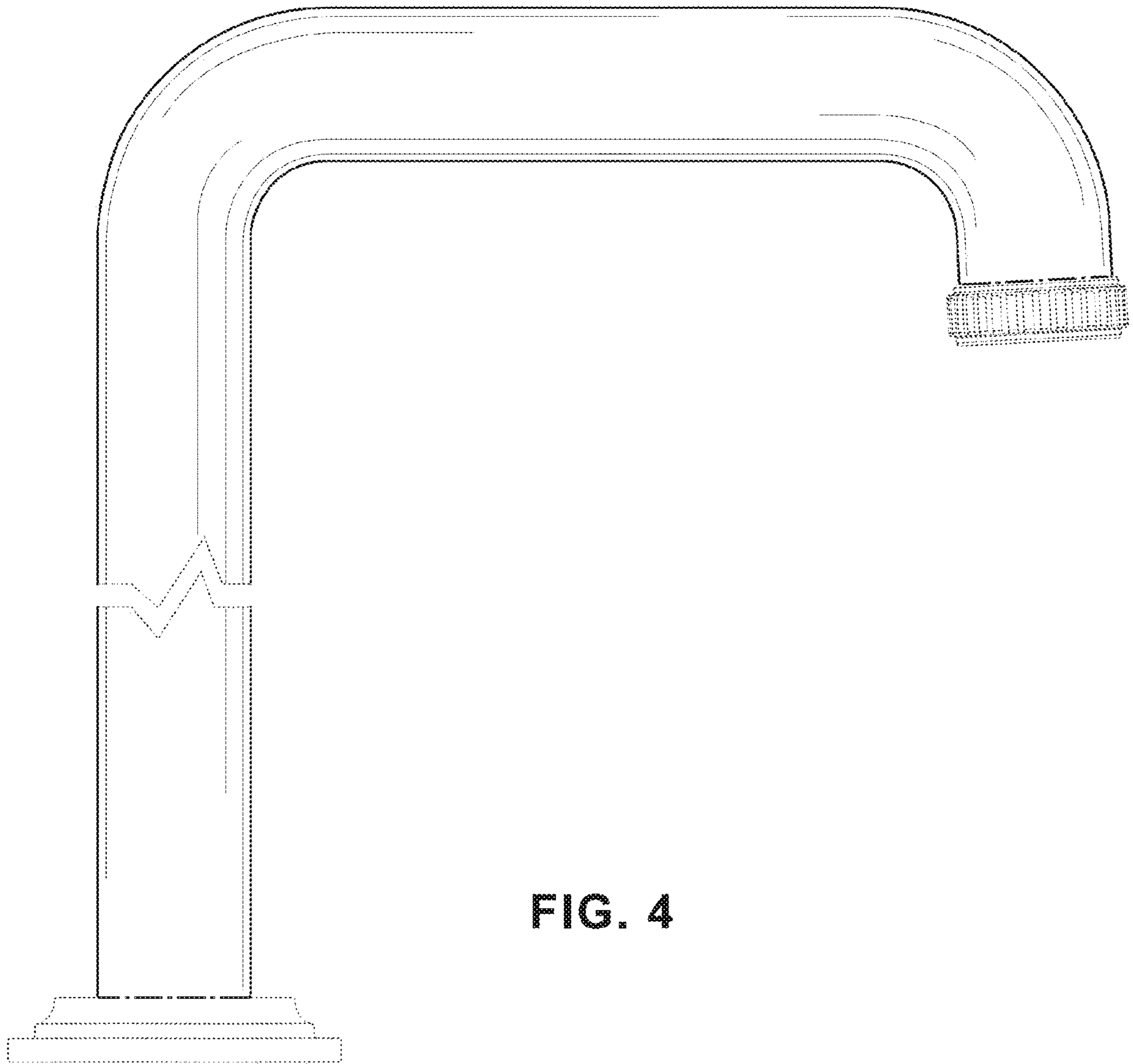


FIG. 4

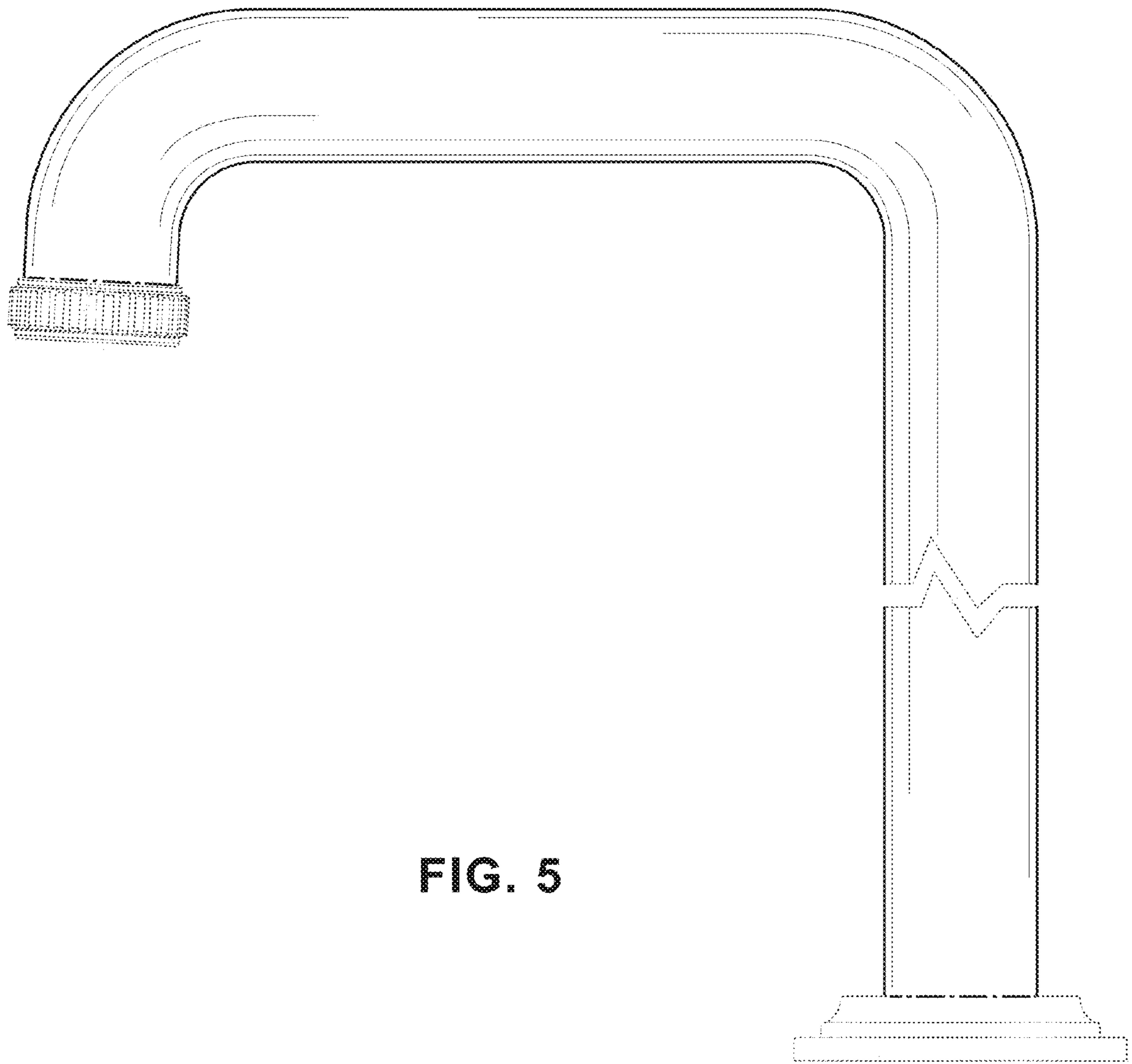


FIG. 5

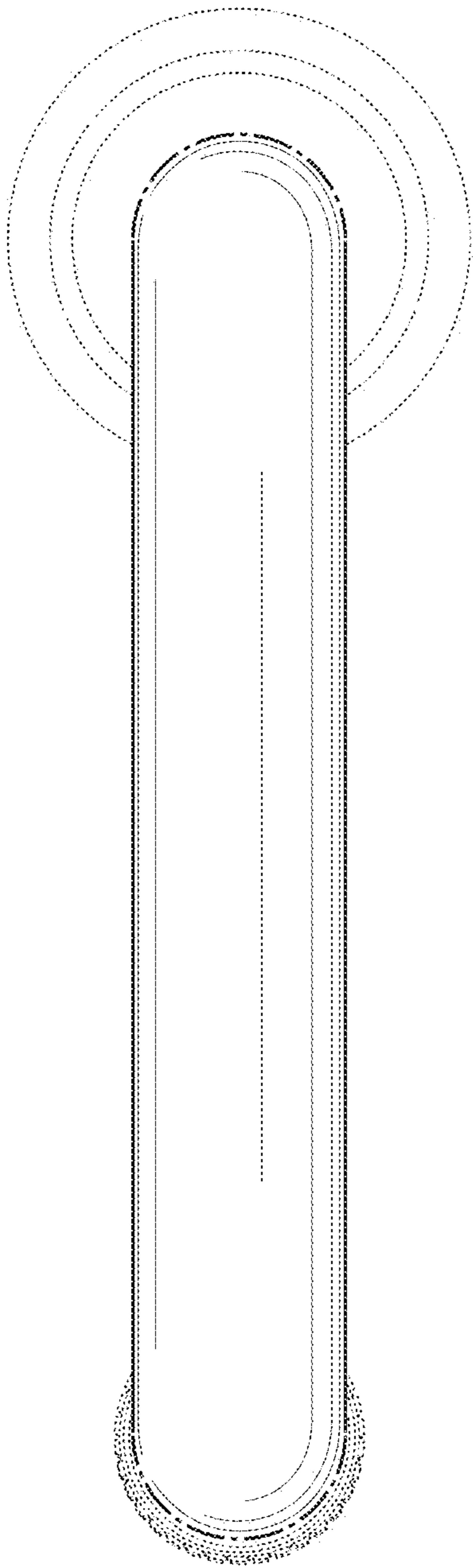


FIG. 6

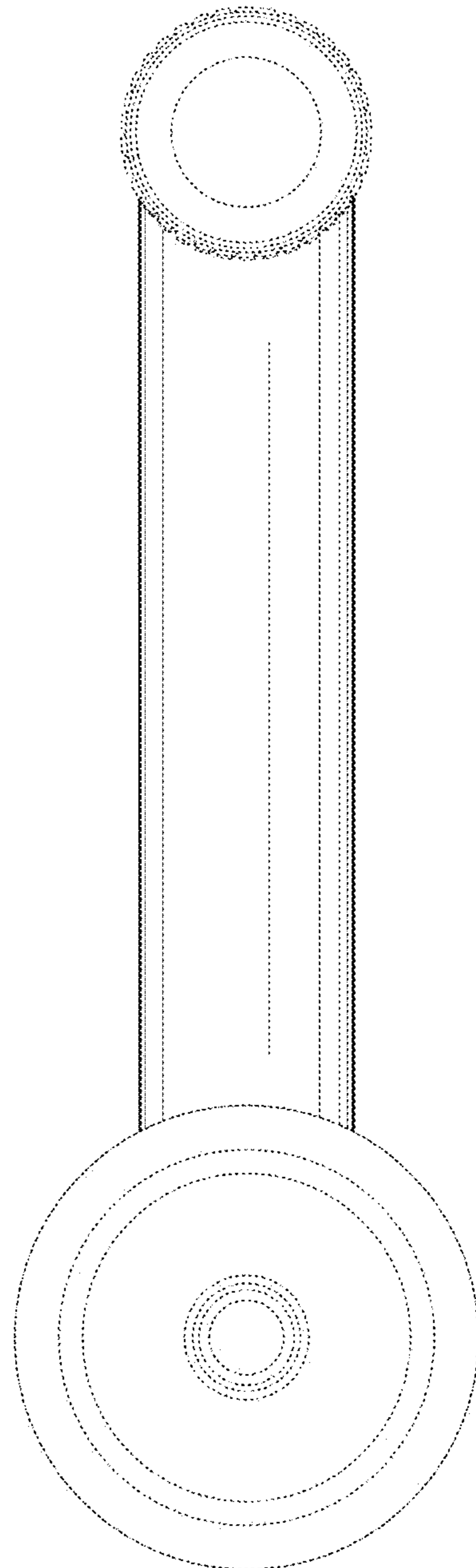


FIG. 7