



US00D949292S

(12) **United States Design Patent**  
**Corre**

(10) **Patent No.:** **US D949,292 S**  
(45) **Date of Patent:** **\*\* Apr. 19, 2022**

(54) **CONTROL UNIT TO MONITOR AND CONTROL VALVE**

(71) Applicant: **Definox SAS**, Clisson (FR)

(72) Inventor: **Sébastien Corre**, Paris (FR)

(\*\*) Term: **15 Years**

(21) Appl. No.: **35/510,016**

(22) Filed: **Feb. 6, 2020**

(80) **Hague Agreement Data**

Int. Filing Date: **Feb. 6, 2020**

Int. Reg. No.: **DM/206807**

Int. Reg. Date: **Feb. 6, 2020**

Int. Reg. Pub. Date: **Aug. 7, 2020**

(51) **LOC (13) Cl.** ..... **23-01**

(52) **U.S. Cl.**  
USPC ..... **D23/233**

(58) **Field of Classification Search**  
USPC ..... D23/209, 233, 234, 235, 236, 237, 314,  
D23/318, 330, 341, 355, 365, 370, 371,  
(Continued)

(56) **References Cited**

**U.S. PATENT DOCUMENTS**

D156,735 S \* 1/1950 Jaconsson ..... D23/235  
D301,917 S \* 6/1989 Ogasawara ..... D10/85  
(Continued)

**OTHER PUBLICATIONS**

“3D video Soho control top Definox” [online]. Definox Sas. [Published on Oct. 20, 2020]. Retrieved from the Internet: <<https://www.youtube.com/watch?v=Efb9M7Z815I>>.\*

*Primary Examiner* — Mojtaba Tehrani

(74) *Attorney, Agent, or Firm* — Buchanan Ingersoll & Rooney PC

(57) **CLAIM**

The ornamental design for a control unit to monitor and control valve, as shown and described.

**DESCRIPTION**

The patent or application file contains at least one drawing executed in color. Copies of this patent or patent application publication with color drawing(s) will be provided by the Office upon request and payment of the necessary fee.

1.-3. Control unit to monitor and control valve

1.1: Perspective

1.2: Top

1.3: Front

1.4: Right

1.5: Left

1.6: Back

1.7: Bottom

2.1: Perspective

2.2: Top

2.3: Front

2.4: Right

2.5: Left

2.6: Back

2.7: Bottom

3.1: Perspective

3.2: Top

3.3: Front

3.4: Right

3.5: Left

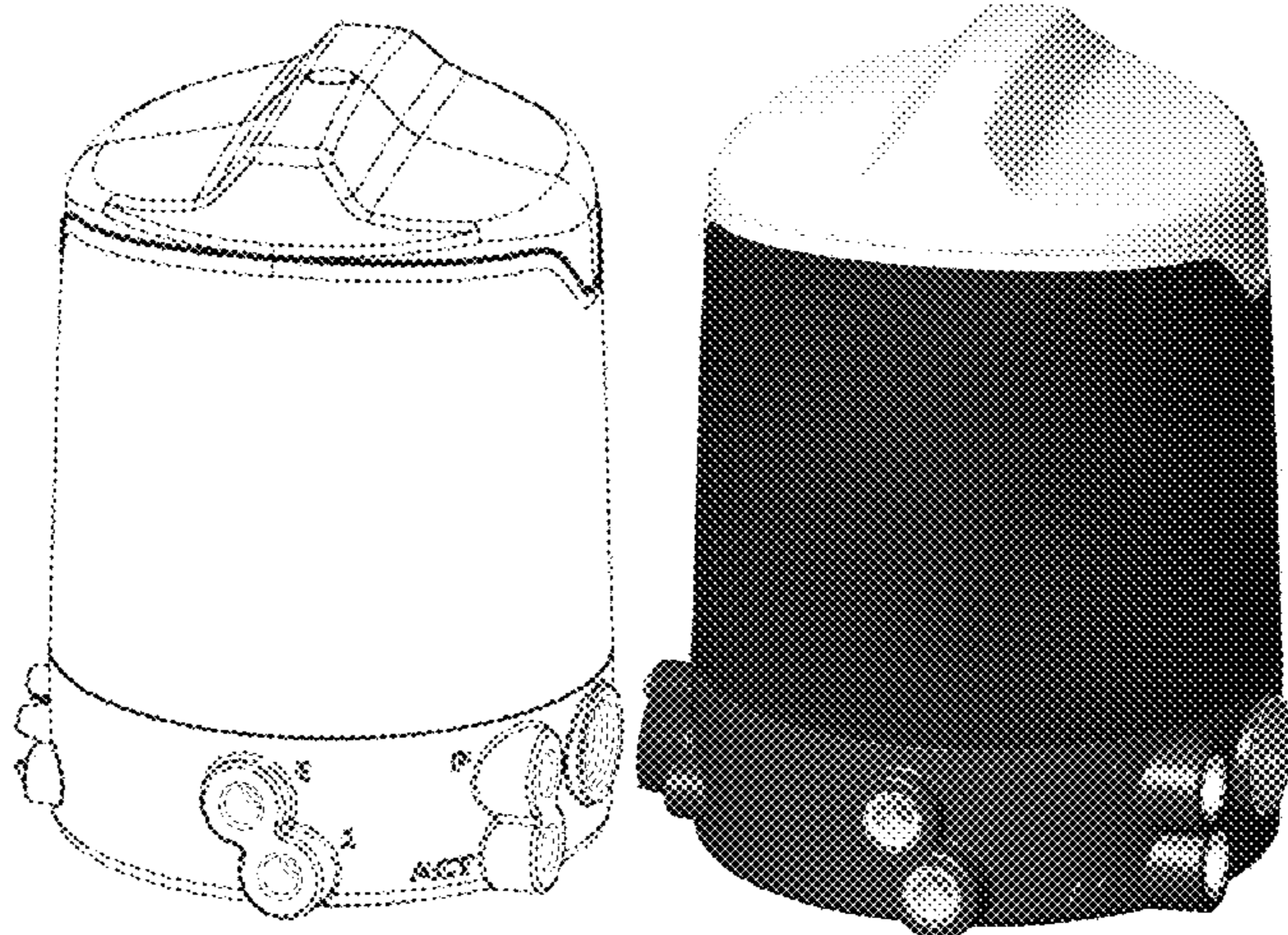
3.6: Back

3.7: Bottom

Fig. 1.1 is a front, right perspective view of a control unit to monitor and control valve showing our new design; fig. 1.2 is a top plan view thereof; fig. 1.3 is a front elevational view thereof; fig. 1.4 is a right side elevational view thereof; fig. 1.5 is a left side elevational view thereof; fig. 1.6 is a rear elevational view thereof; fig. 1.7 is a bottom plan view thereof.

The broken lines shown in reproductions 1.1, 1.3-1.4, 1.6 and 1.7 depict unclaimed portions of the control unit only and form no part of the claimed design. The grayed-out regions within the broken line boundaries shown in repro-

(Continued)



ductions 2.1, 2.3, 2.4, 2.7, 3.1, 3.3, 3.4 and 3.7 depict unclaimed portions of the control unit only and form no part of the claimed design.

**1 Claim, 21 Drawing Sheets  
(6 of 21 Drawing Sheet(s) Filed in Color)**

**(58) Field of Classification Search**

USPC ..... D23/375, 377, 379, 386, 393, 411, 412,  
D23/413; D10/49, 50

CPC .. G05D 23/13; G05D 23/136; G05D 23/1353;  
G05D 23/138; G05D 23/1386; F16K  
31/0693

See application file for complete search history.

**(56) References Cited**

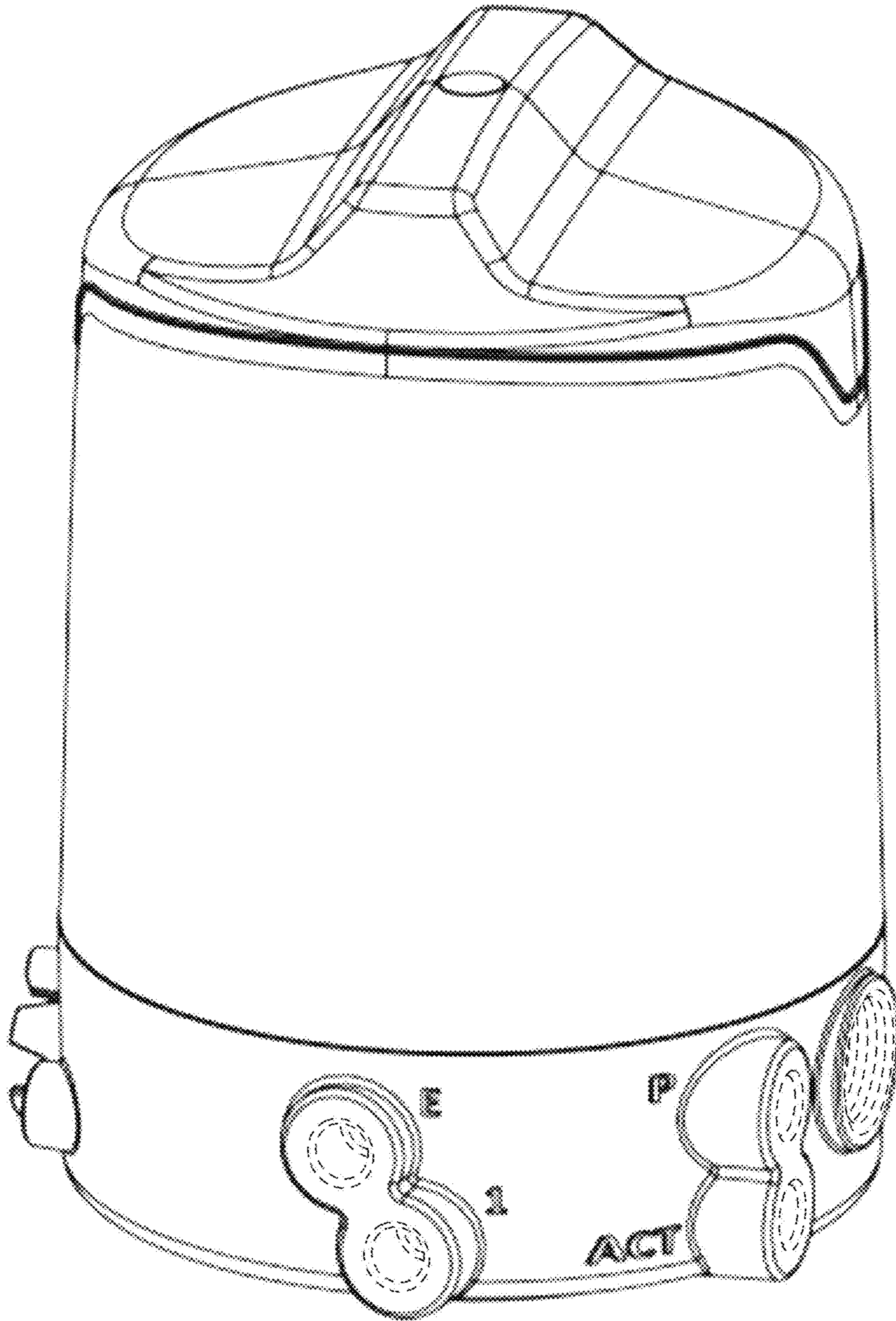
U.S. PATENT DOCUMENTS

D316,975 S \* 5/1991 Brown ..... D10/103  
D354,547 S \* 1/1995 Schops ..... D23/235  
D377,515 S \* 1/1997 Hembree ..... D23/207  
D438,593 S \* 3/2001 Jang ..... D23/209

D465,258 S \* 11/2002 Hiranaga ..... D23/209  
D478,967 S \* 8/2003 Harry ..... D23/233  
D538,890 S \* 3/2007 Park ..... D23/233  
D674,469 S \* 1/2013 Boyer ..... D23/235  
D754,816 S \* 4/2016 Weingarten ..... D23/233  
D768,264 S \* 10/2016 Park ..... D23/233  
D783,774 S \* 4/2017 Costantini ..... D23/209  
D849,890 S \* 5/2019 Tempel ..... D23/233  
D855,755 S \* 8/2019 Coelho ..... D23/209  
D857,843 S \* 8/2019 Jorgensen ..... D23/235  
D862,642 S \* 10/2019 Frenal ..... D23/233  
D862,645 S \* 10/2019 Jorgensen ..... D23/235  
D917,661 S \* 4/2021 Wei ..... D23/209  
D919,042 S \* 5/2021 Lu ..... D23/209  
D923,145 S \* 6/2021 Schott ..... D23/233  
D924,354 S \* 7/2021 Huang ..... D23/209  
D924,361 S \* 7/2021 Matsushita ..... D23/235  
D925,694 S \* 7/2021 Sugawara ..... D23/209  
2005/0051494 A1 \* 3/2005 Na ..... C02F 1/003  
210/694  
2016/0340202 A1 \* 11/2016 Lautzenheiser ..... E03B 1/04  
2017/0152956 A1 \* 6/2017 Sansum ..... G05D 23/1313  
2017/0220054 A1 \* 8/2017 Zhu ..... G05D 16/106  
2018/0170332 A1 \* 6/2018 Repasi ..... F16K 31/0675  
2020/0285257 A1 \* 9/2020 Belair ..... G05D 23/1353

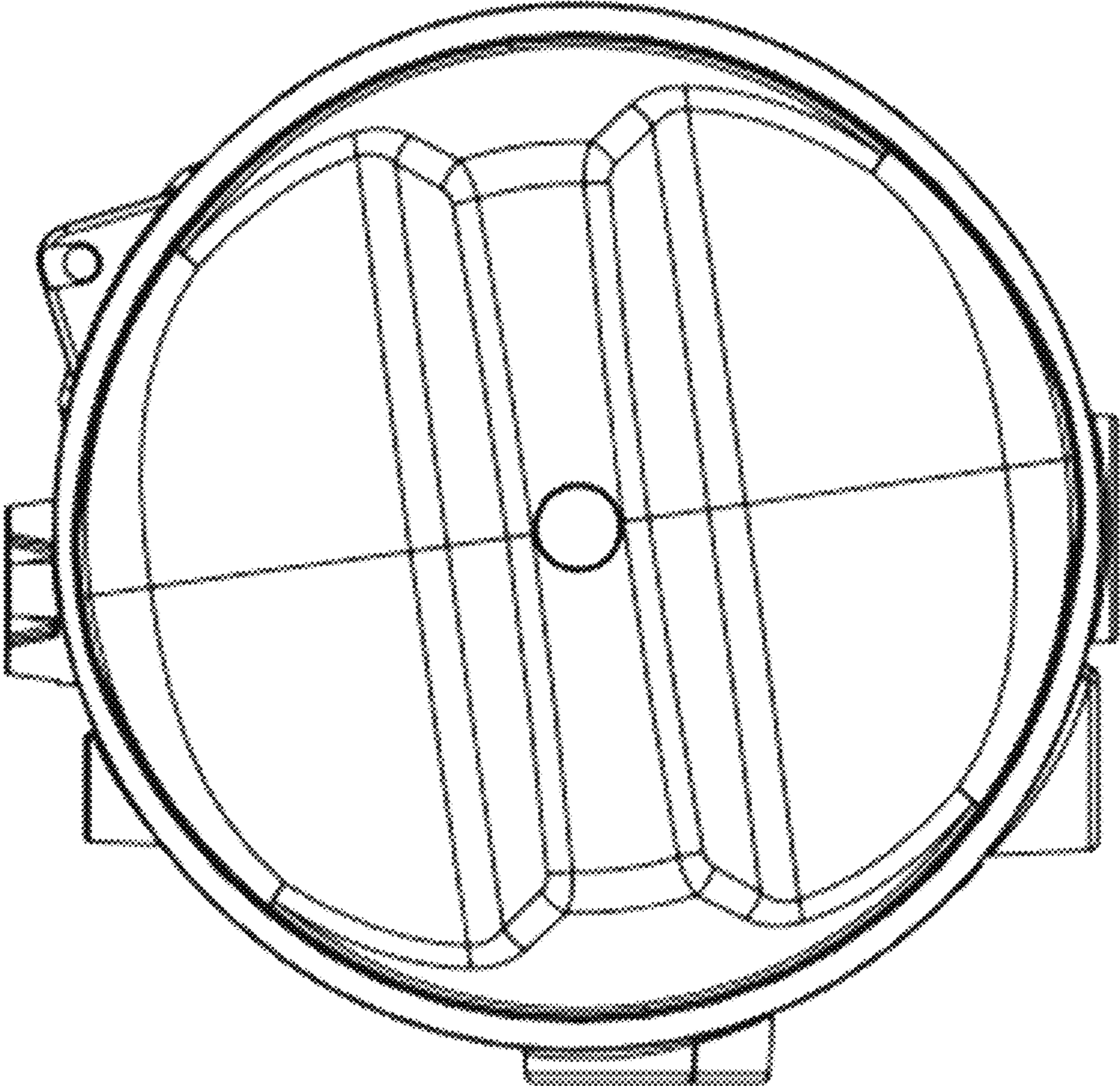
\* cited by examiner

1.1

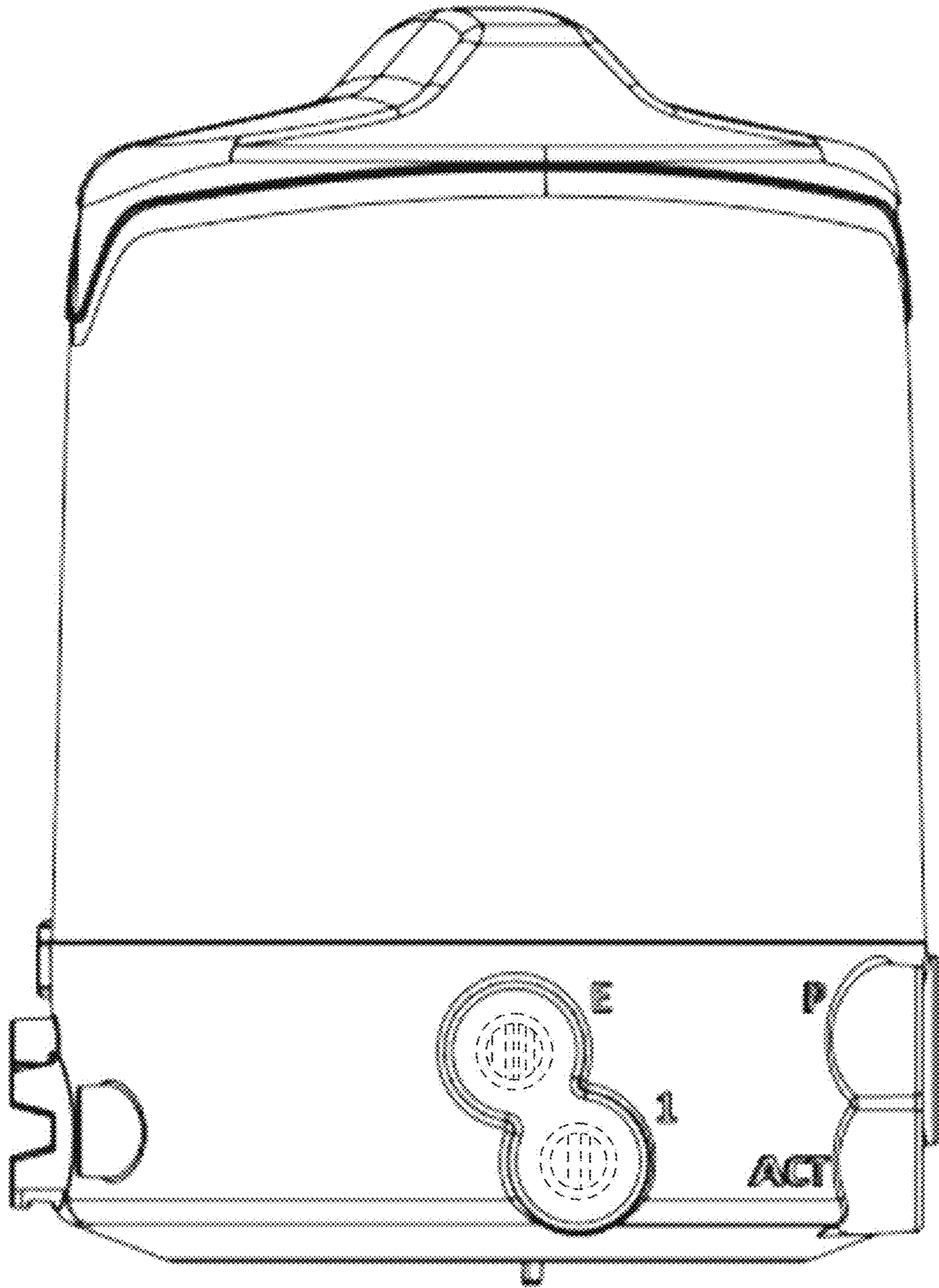




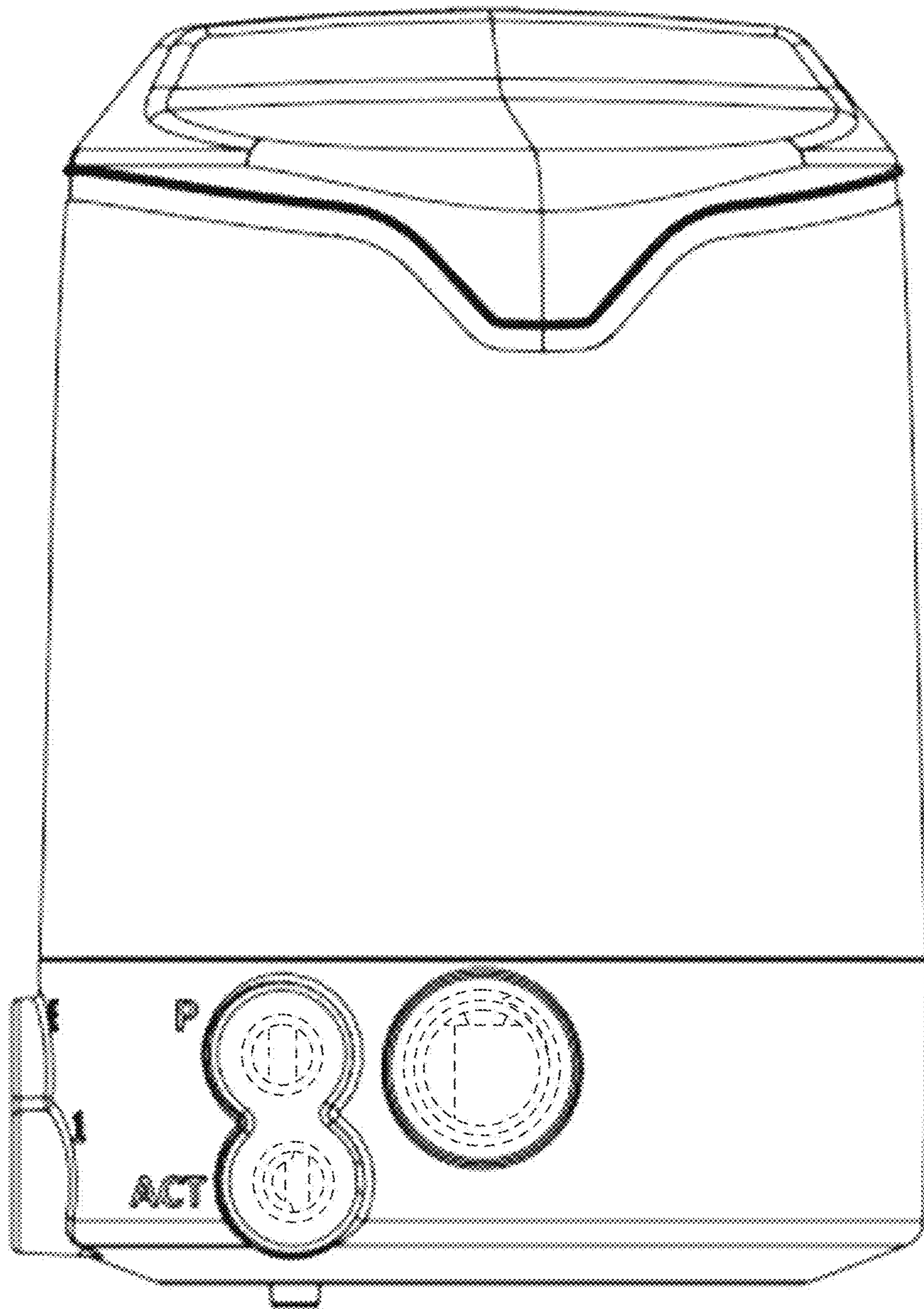
1.2



1.3

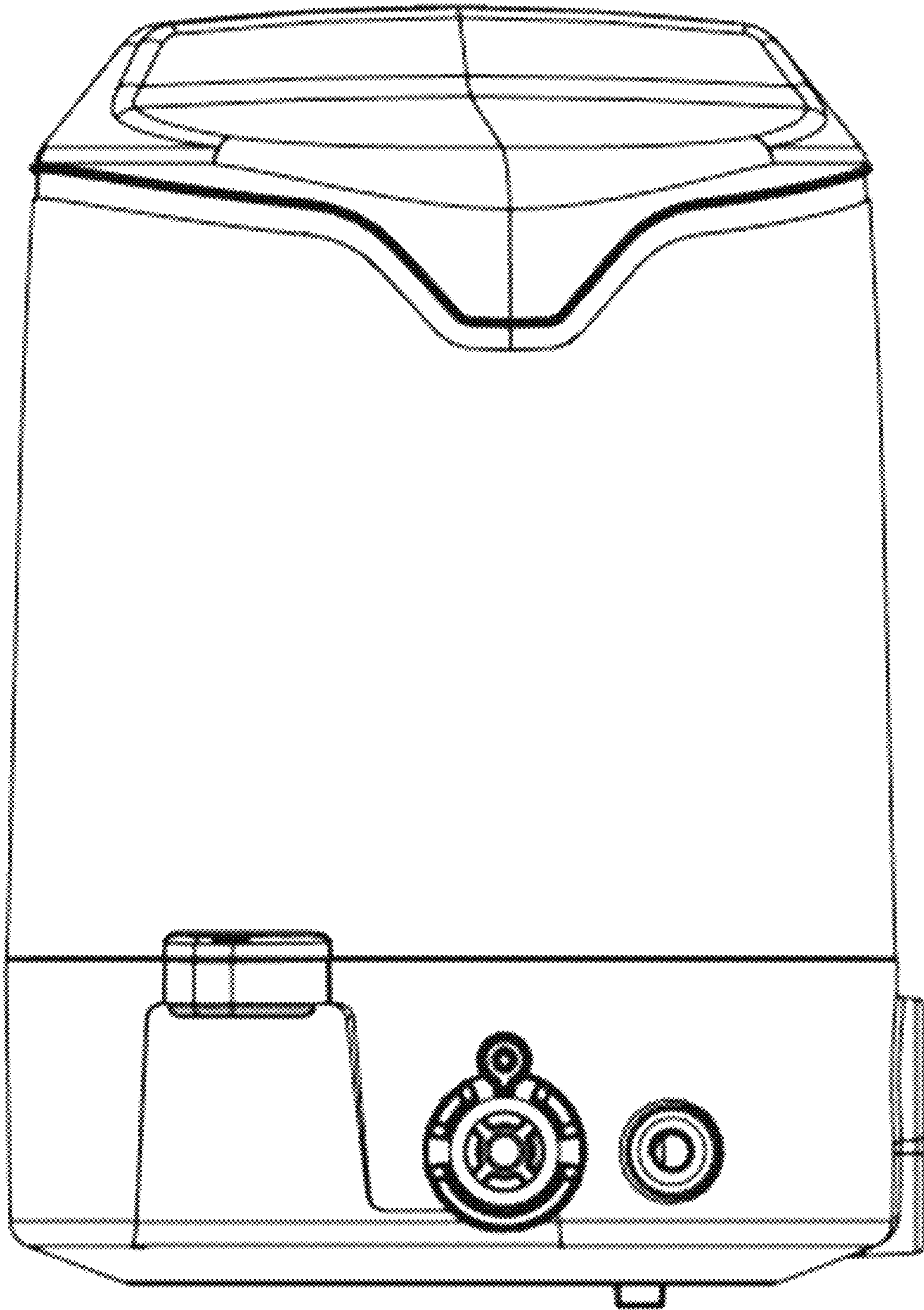


1.4

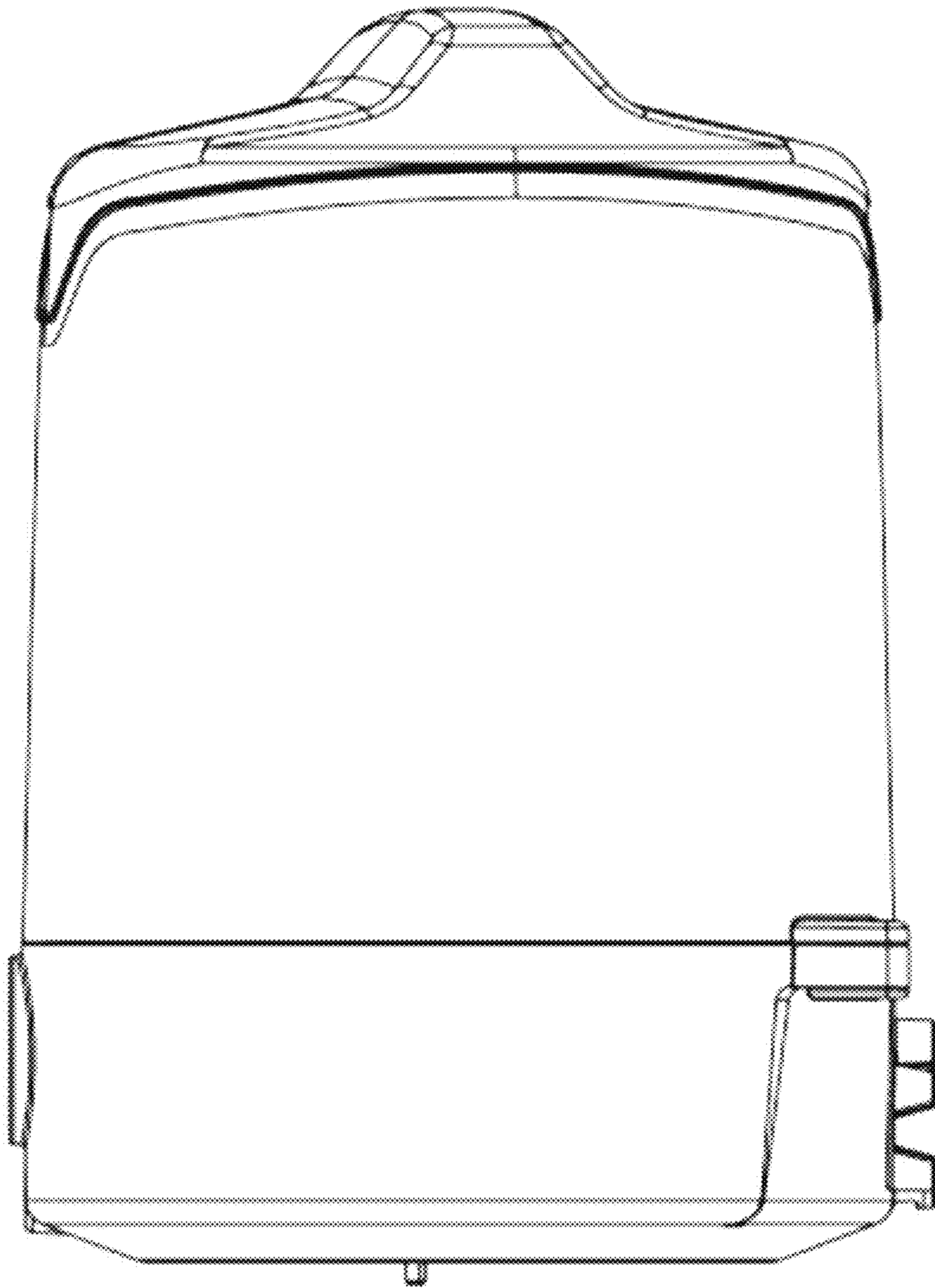




1.5

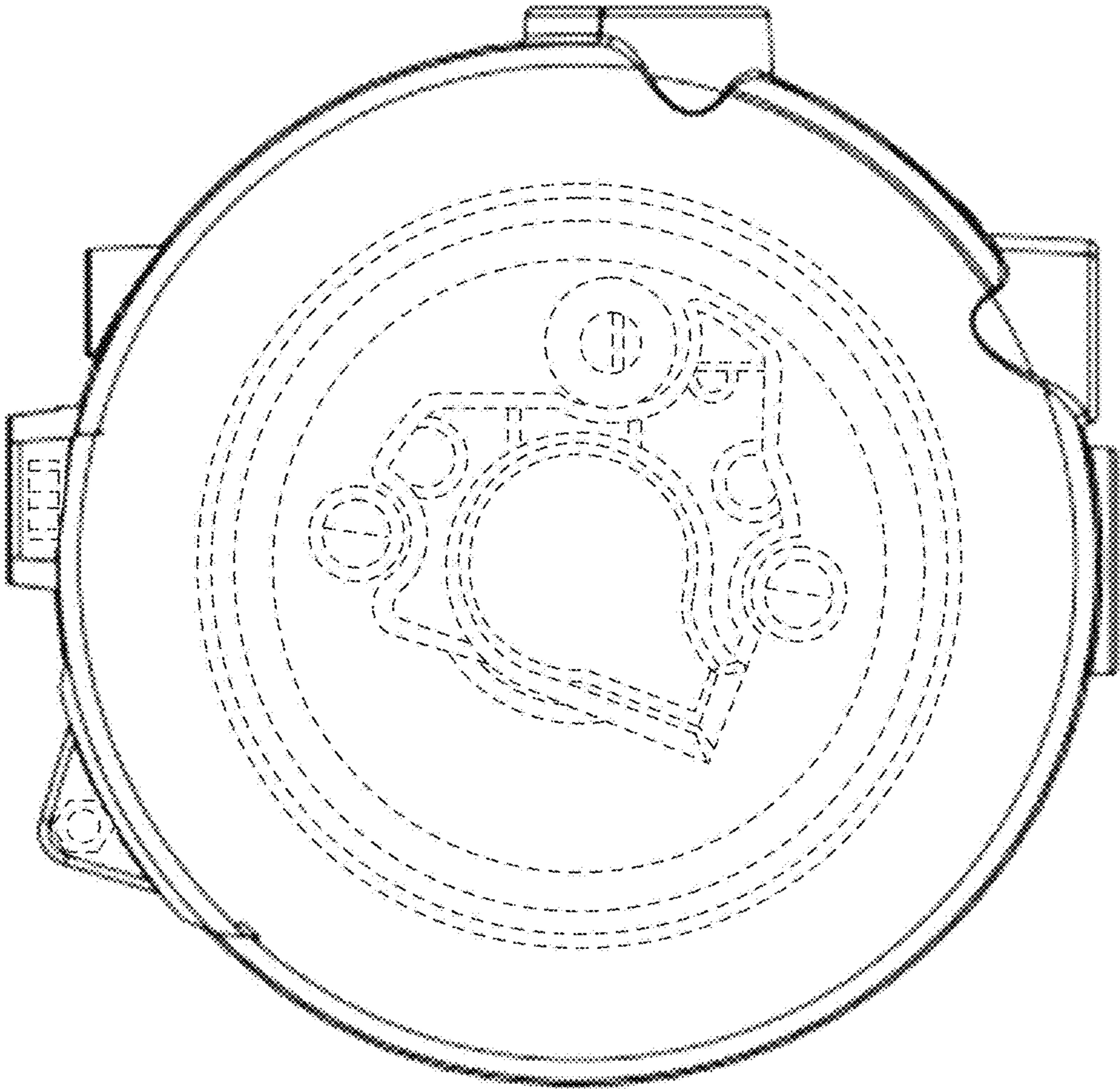


1.6





1.7





2.1





2.2





2.3





2.4





2.5



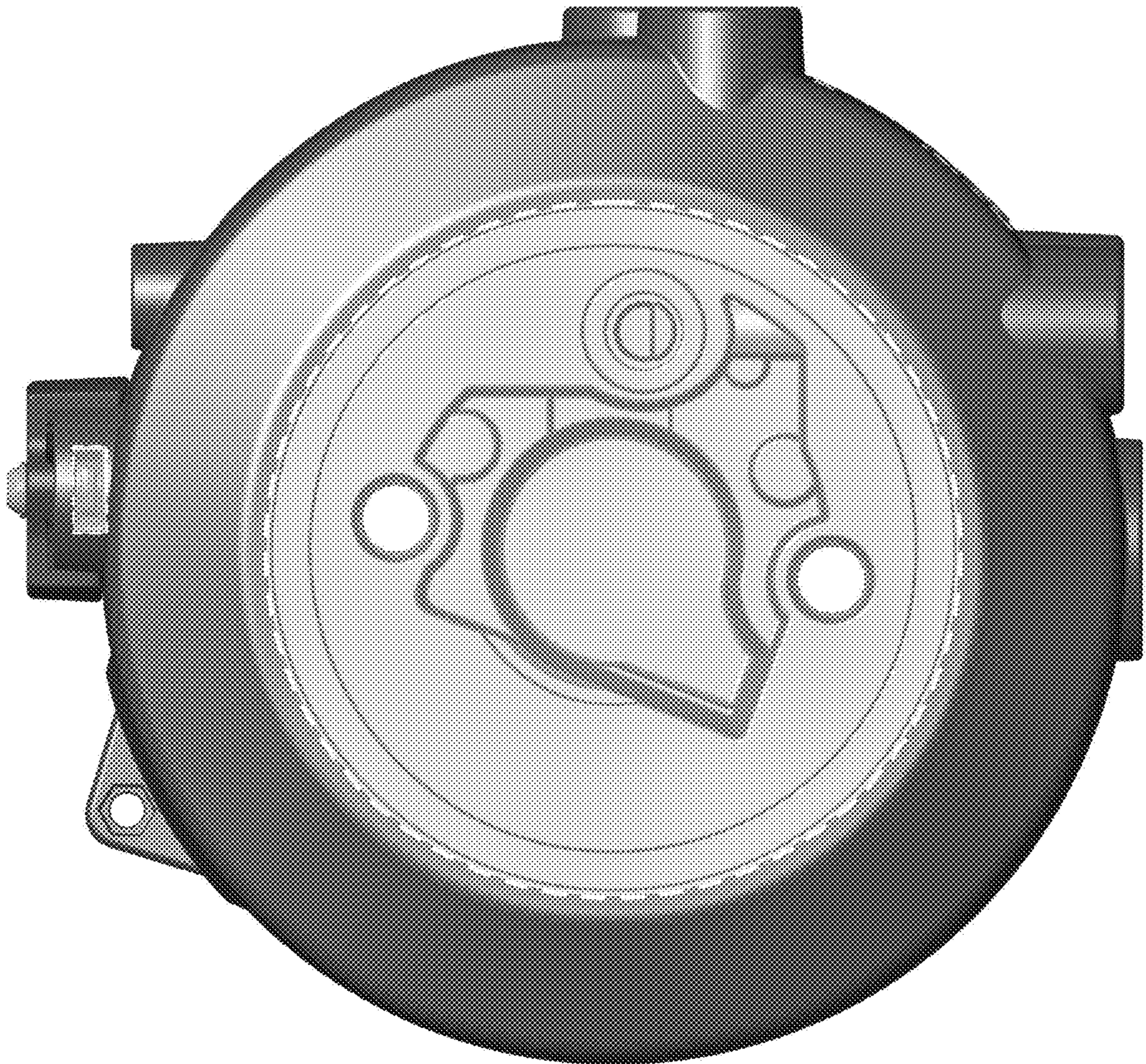


2.6





2.7





3.1





3.2





3.3





3.4





3.5





3.6





3.7

