



US00D949290S

(12) **United States Design Patent** (10) **Patent No.:** **US D949,290 S**
Blum (45) **Date of Patent:** **** Apr. 19, 2022**

(54) **FAUCET STREAM STRAIGHTENER** D550,818 S * 9/2007 Grether D23/249
D612,911 S * 3/2010 Grether D23/249
(71) Applicant: **Neoperl GmbH**, Mullheim (DE) 7,677,473 B2 * 3/2010 Kao E03C 1/084
239/428.5
(72) Inventor: **Gerhard Blum**, Gutach (DE) D641,071 S * 7/2011 Grether D23/249
D641,839 S * 7/2011 Grether D23/249
(73) Assignee: **Neoperl GmbH**, Müllheim (DE) D674,877 S * 1/2013 Jones D23/213
D676,525 S * 2/2013 Jones D23/213
D692,526 S * 10/2013 Stein D23/213
D693,427 S * 11/2013 Jones D23/213
(**) Term: **15 Years** 2007/0196177 A1 * 8/2007 Tasi E03C 1/084
405/79
(21) Appl. No.: **29/780,877** 2011/0006132 A1 * 1/2011 Grether E03C 1/084
239/428.5
(22) Filed: **Apr. 27, 2021** 2011/0266369 A1 * 11/2011 Grether E03C 1/084
239/428.5
2011/0303309 A1 * 12/2011 Prenzler E03C 1/08
137/551
2016/0273199 A1 * 9/2016 Blum E03C 1/08

Related U.S. Application Data

(62) Division of application No. 29/679,951, filed on Feb. 12, 2019, now Pat. No. Des. 921,152, which is a division of application No. 29/610,288, filed on Jul. 11, 2017, now Pat. No. Des. 844,747, which is a division of application No. 35/500,443, filed on Sep. 30, 2015 (U.S. filing date under 35 U.S.C. 384), and having an international filing date of Sep. 30, 2015, now abandoned.

(51) **LOC (13) Cl.** **23-01**
(52) **U.S. Cl.**
USPC **D23/213; D23/249**
(58) **Field of Classification Search**
USPC D23/213, 229, 233, 235, 247-249
CPC E03C 1/08; E03C 1/084; E03C 2001/026;
B05B 1/14
See application file for complete search history.

(56) **References Cited**

U.S. PATENT DOCUMENTS

4,789,103 A * 12/1988 Ruhnke E03C 1/084
239/428.5
6,126,093 A * 10/2000 Grether E03C 1/084
239/428.5
6,892,964 B2 * 5/2005 Grether E03C 1/08
239/428.5

* cited by examiner

Primary Examiner — Darlington Ly
(74) *Attorney, Agent, or Firm* — Volpe Koenig

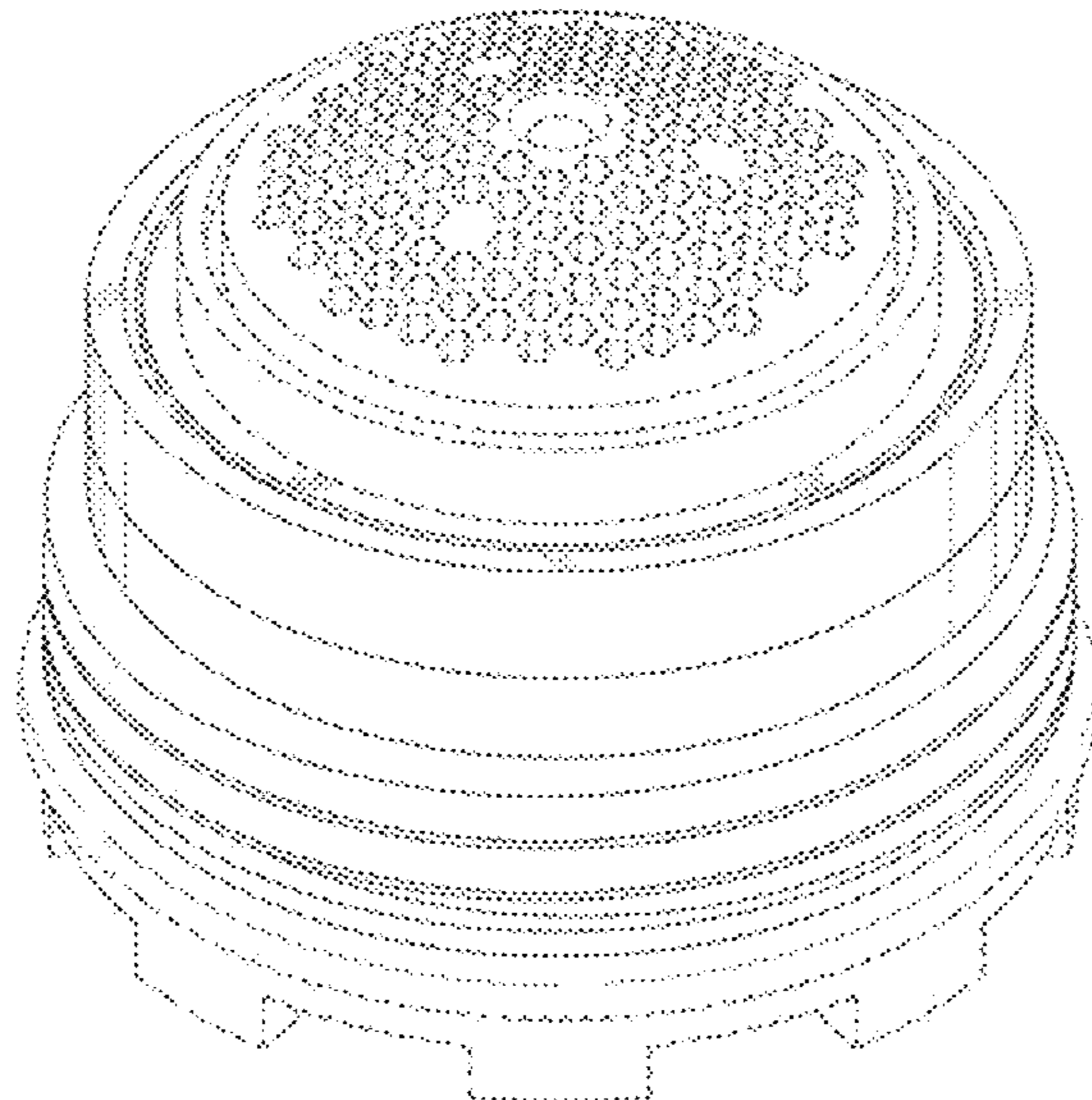
(57) **CLAIM**

The ornamental design for a faucet stream straightener, as shown and described.

DESCRIPTION

FIG. 1 is a top plan view of a faucet stream straightener in accordance with my design;
FIG. 2 is a top, front perspective view thereof;
FIG. 3 is a bottom plan view thereof;
FIG. 4 is a bottom, rear perspective view thereof;
FIG. 5 is a left side elevational view thereof;
FIG. 6 is a front elevational view thereof;
FIG. 7 is a rear elevational view thereof; and,
FIG. 8 is a right side elevational view thereof.
The broken lines represent portions of the faucet stream straightener in which the design is embodied that form no part of the claimed design.

1 Claim, 4 Drawing Sheets



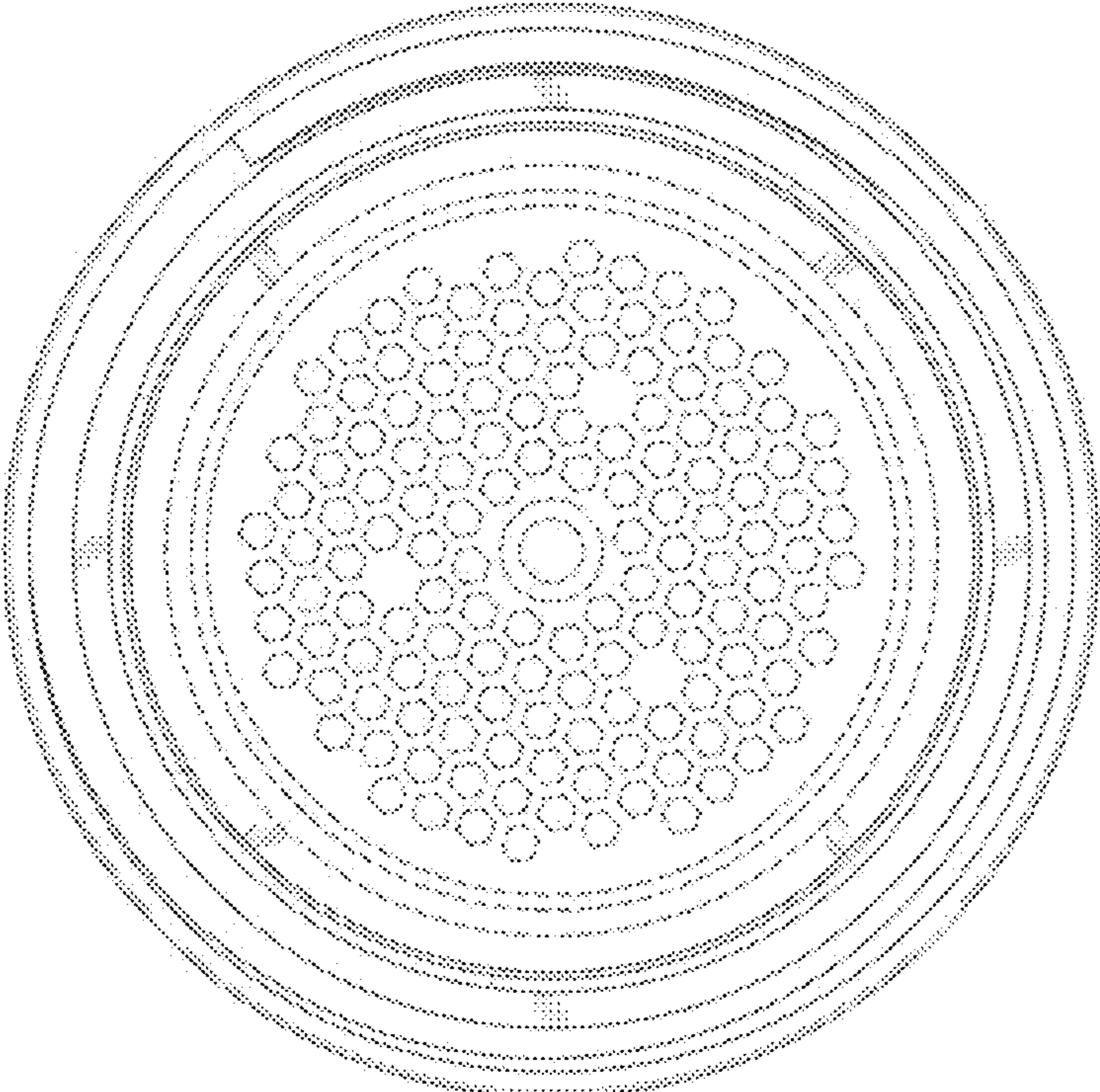


Fig. 1

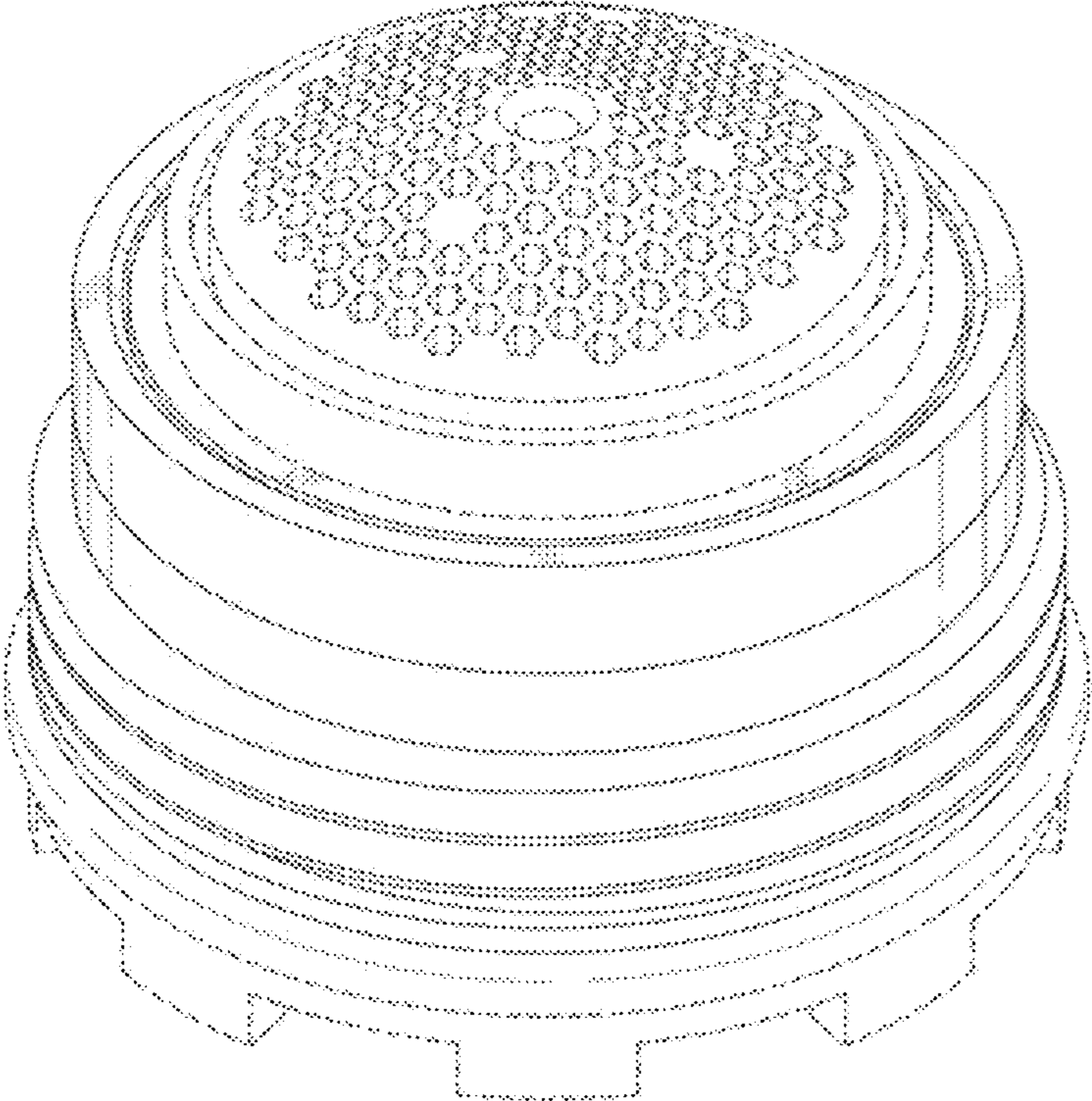


Fig. 2

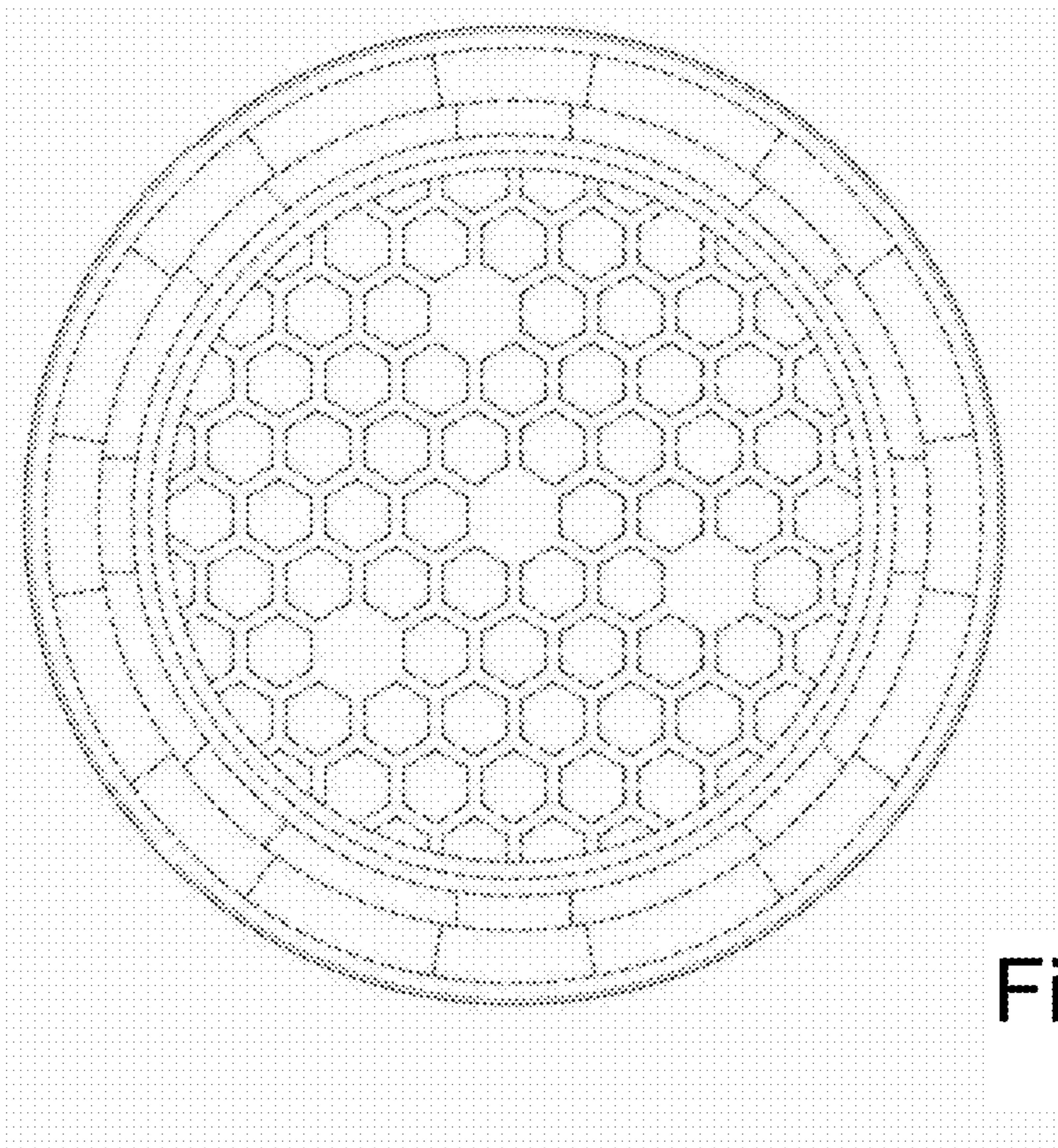


Fig. 3

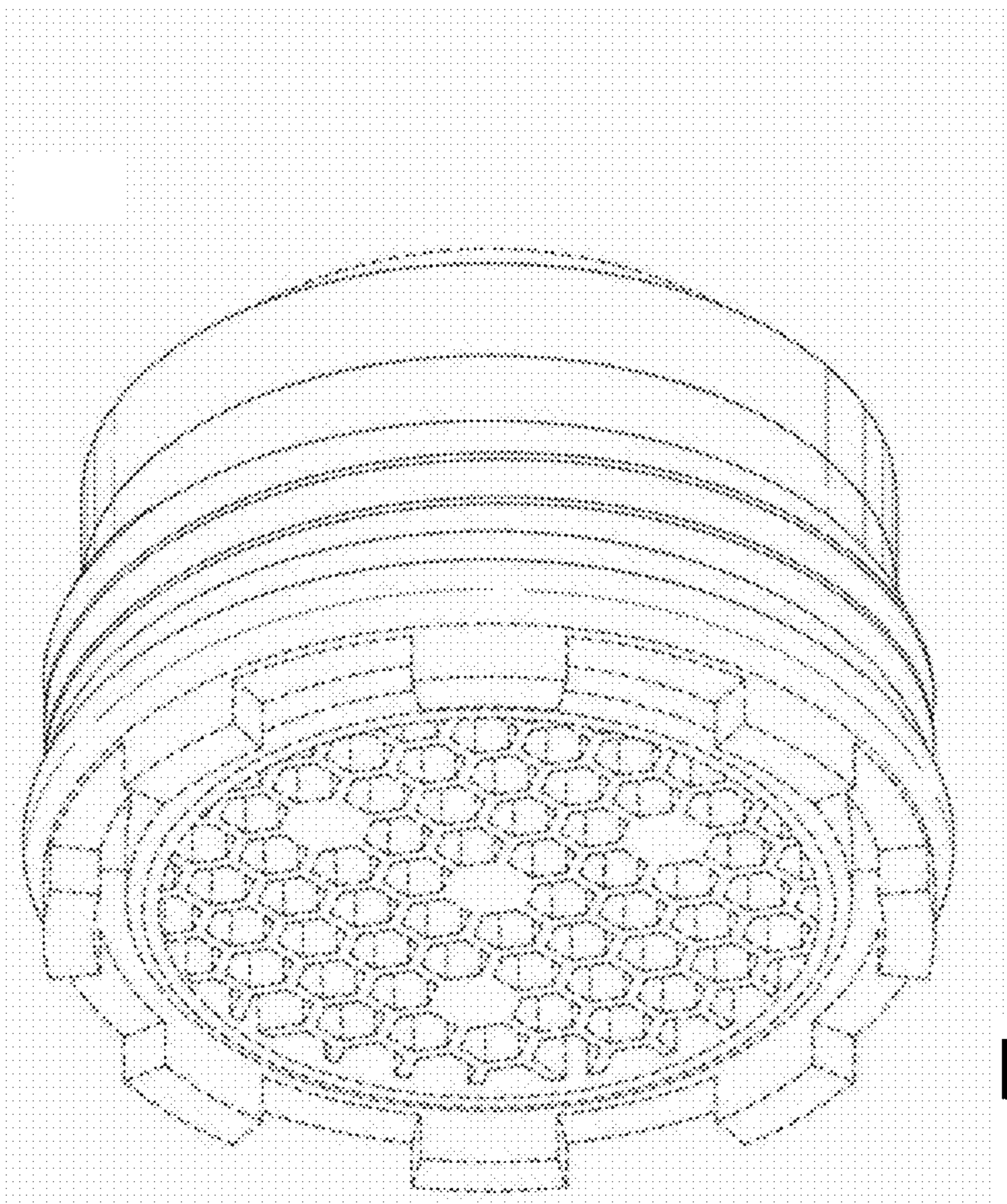


Fig. 4

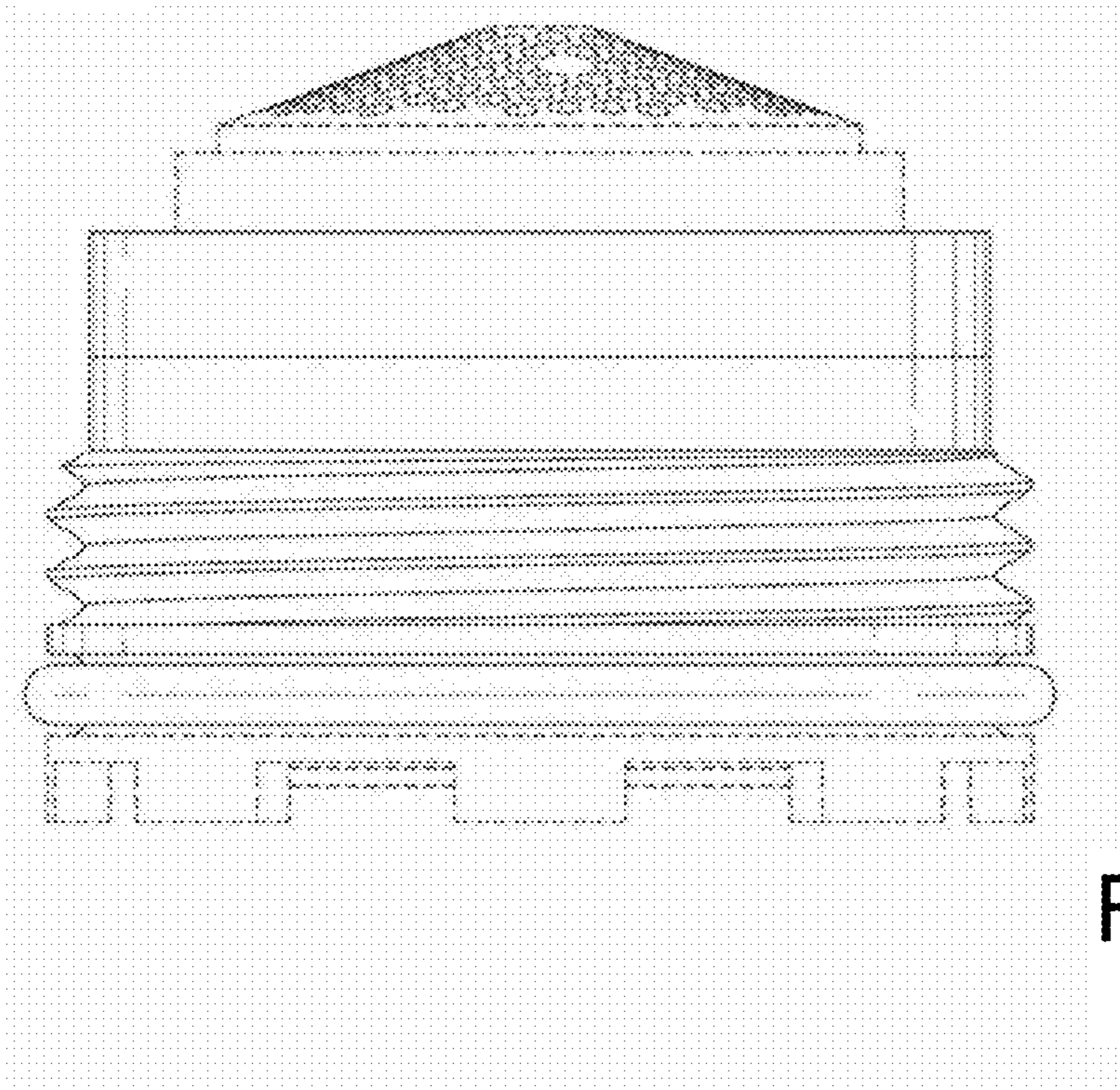


Fig. 5

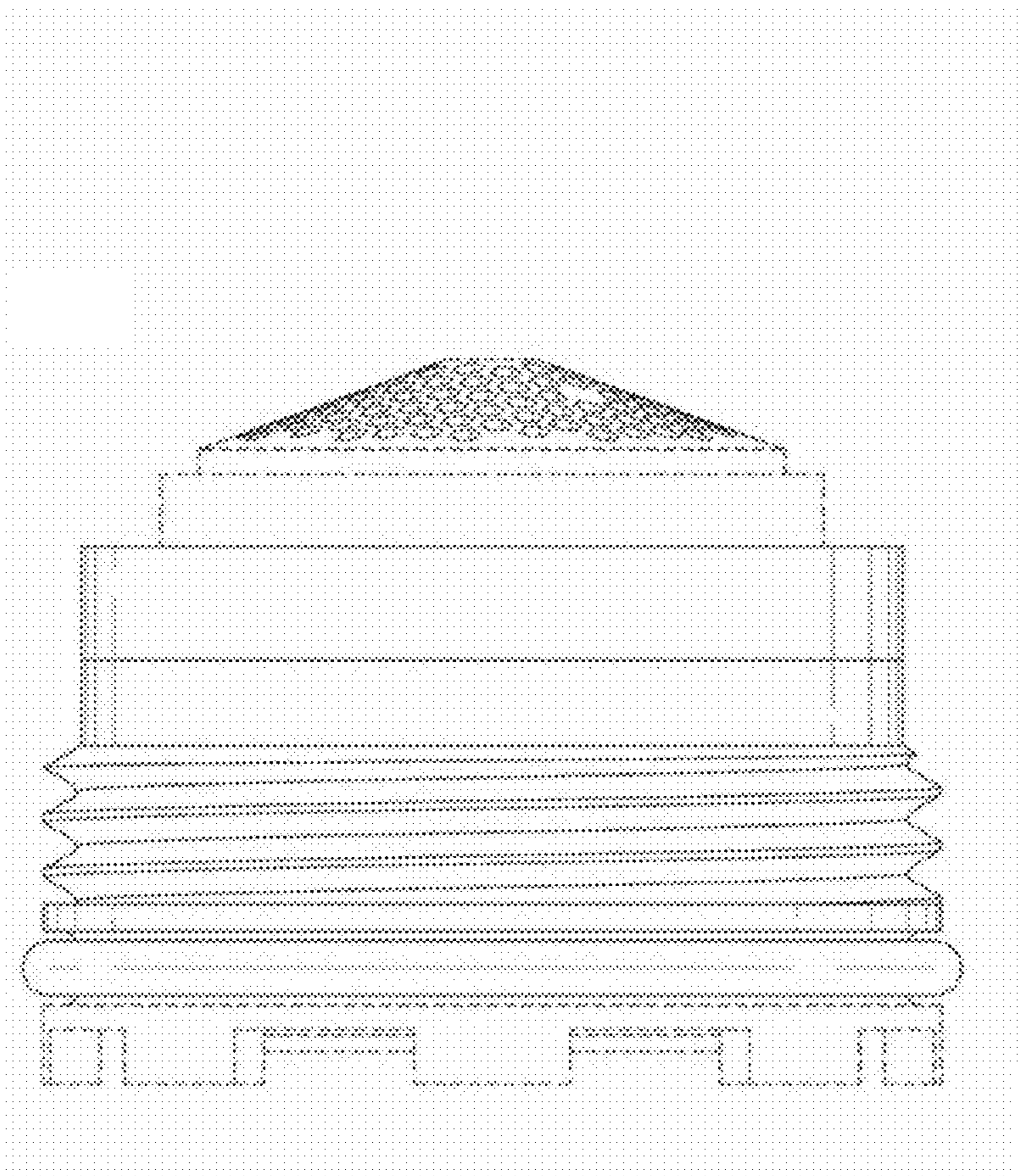


Fig. 6

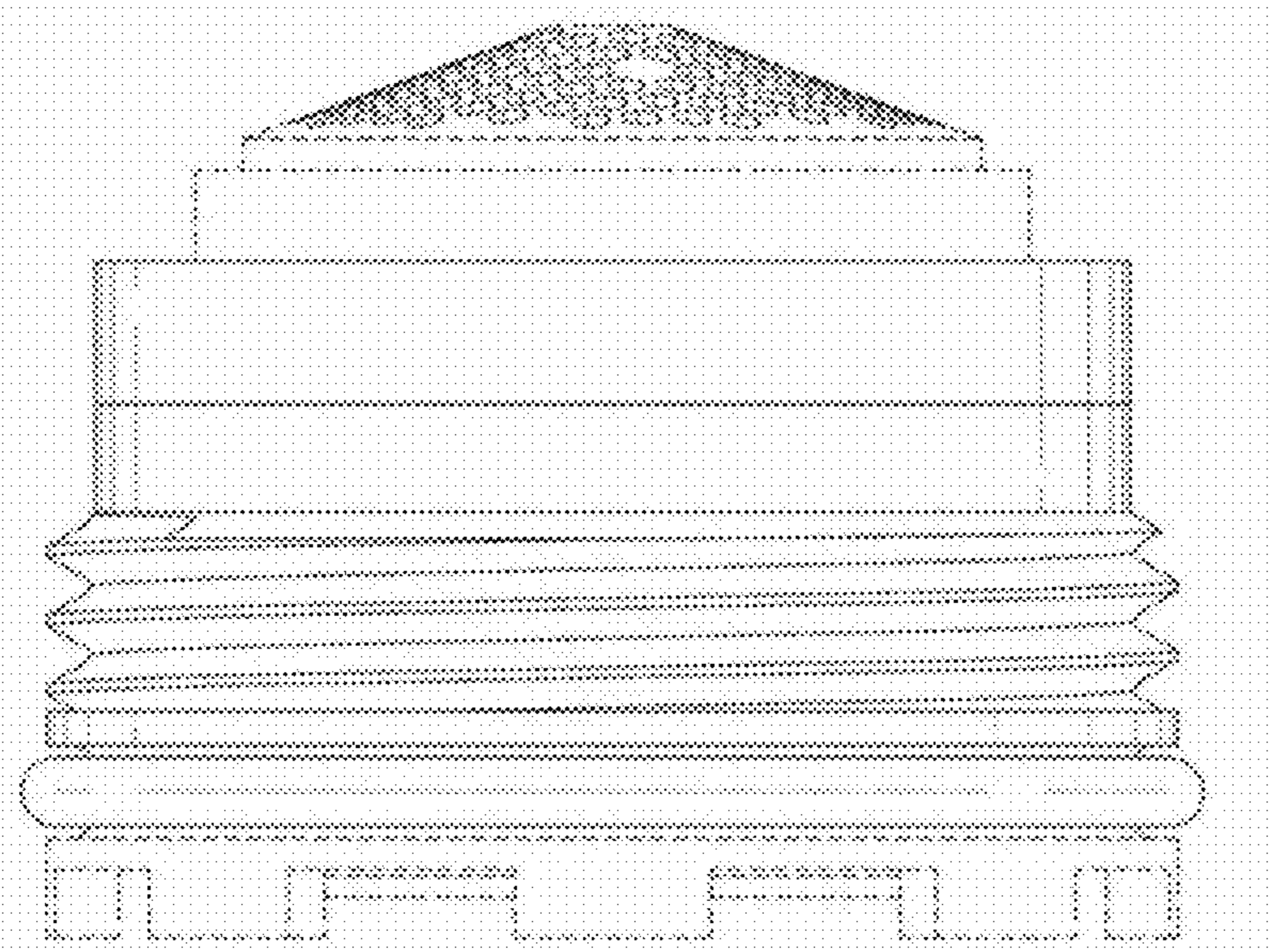


Fig. 7

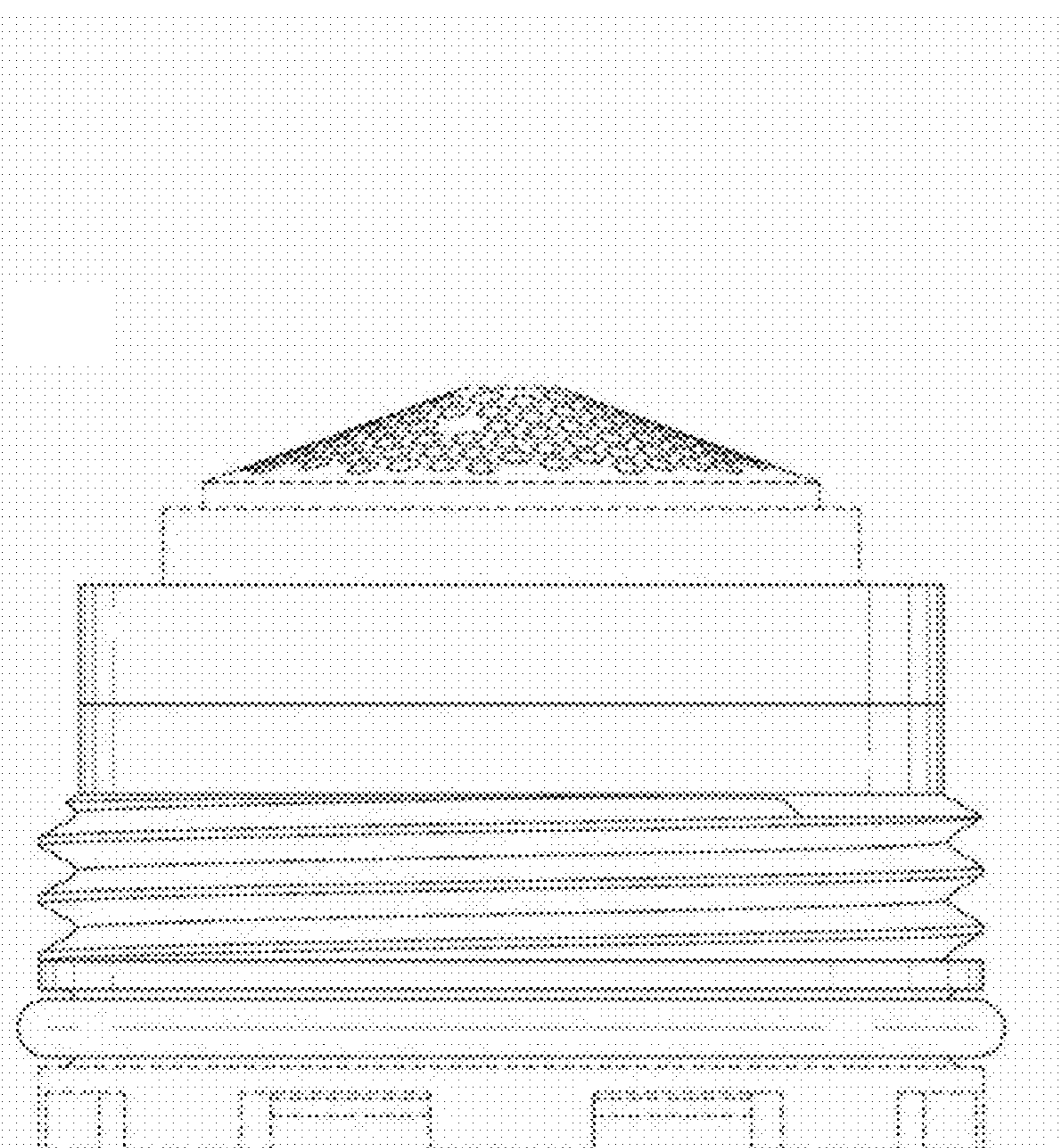


Fig. 8