



US00D949289S

(12) **United States Design Patent**  
**Martinez Carreras et al.**

(10) **Patent No.:** **US D949,289 S**

(45) **Date of Patent:** **\*\* Apr. 19, 2022**

(54) **HOUSING OF AN AUTOMATIC WATER SAMPLER APPARATUS**

(58) **Field of Classification Search**  
USPC ..... D10/96, 97, 99; D23/233, 209  
See application file for complete search history.

(71) Applicant: **Luxembourg Institute of Science and Technology**, Esch-sur-Alzette (LU)

(56) **References Cited**

(72) Inventors: **Núria Martinez Carreras**,  
Luxembourg (LU); **Jean François Iffly**,  
Hayange (FR); **François Barnich**,  
Bastogne (BE); **Oliver O’Nagy**,  
Igel-Liersberg (DE)

U.S. PATENT DOCUMENTS

4,288,206 A \* 9/1981 Tigwell ..... F04B 7/0015  
417/517  
D775,712 S \* 1/2017 Kim ..... D23/209  
11,175,201 B2 \* 11/2021 Kim ..... G01C 13/008

\* cited by examiner

(\*\*) Term: **15 Years**

*Primary Examiner* — George D. Kirschbaum

(21) Appl. No.: **35/510,858**

(57) **CLAIM**

The ornamental design for a housing of an automatic water sampler apparatus, as shown and described.

(22) Filed: **Jun. 2, 2020**

**DESCRIPTION**

(80) **Hague Agreement Data**

Int. Filing Date: **Jun. 2, 2020**

Int. Reg. No.: **DM/208705**

Int. Reg. Date: **Jun. 2, 2020**

Int. Reg. Pub. Date: **Dec. 4, 2020**

1. Housing of an automatic water sampler apparatus

1.1 : Front

1.2 : Top

1.3 : Right

1.4 : Left

1.5 : Back

1.6 : Bottom

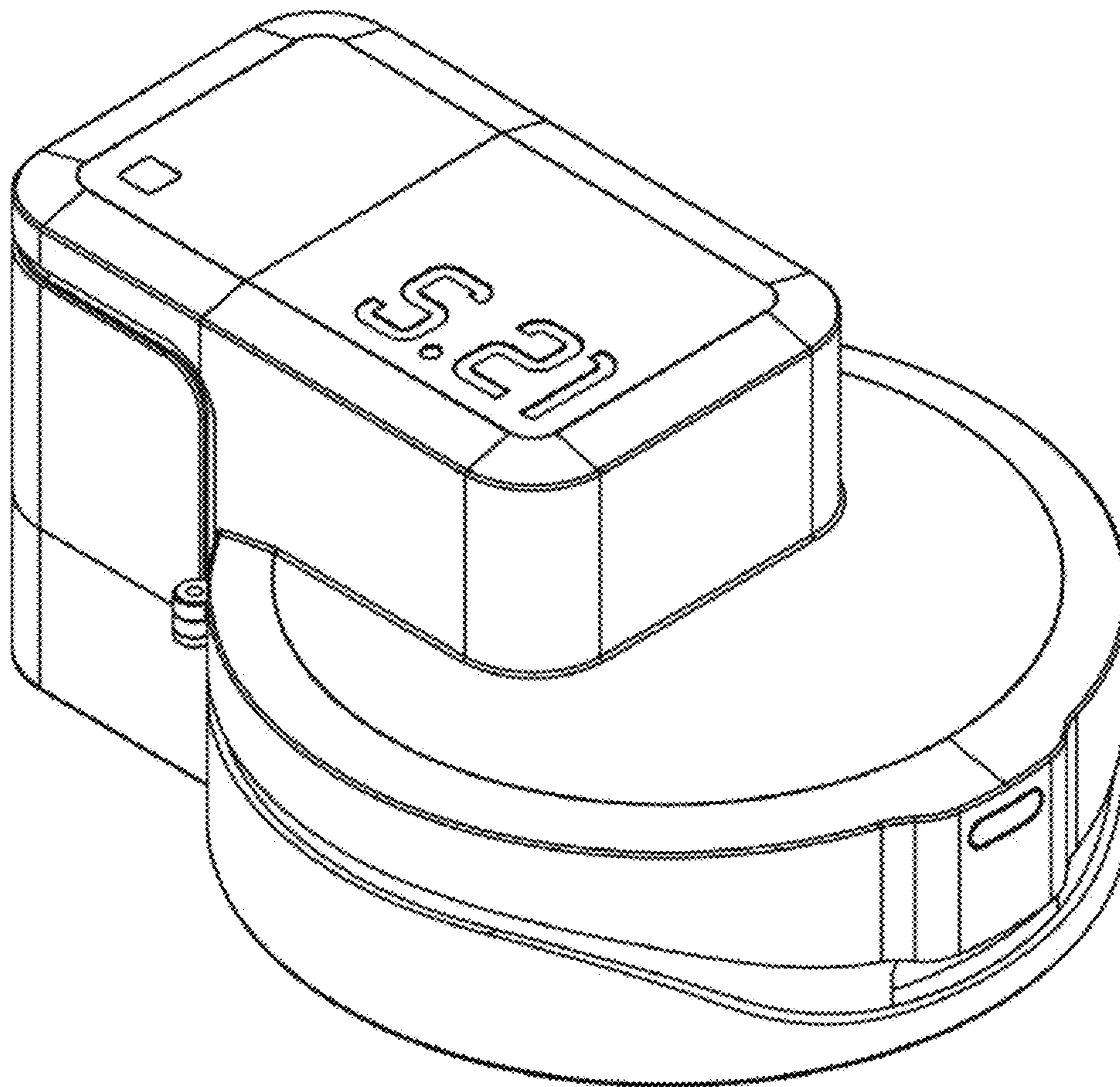
1.7 : Perspective

(51) **LOC (13) Cl.** ..... **23-01**

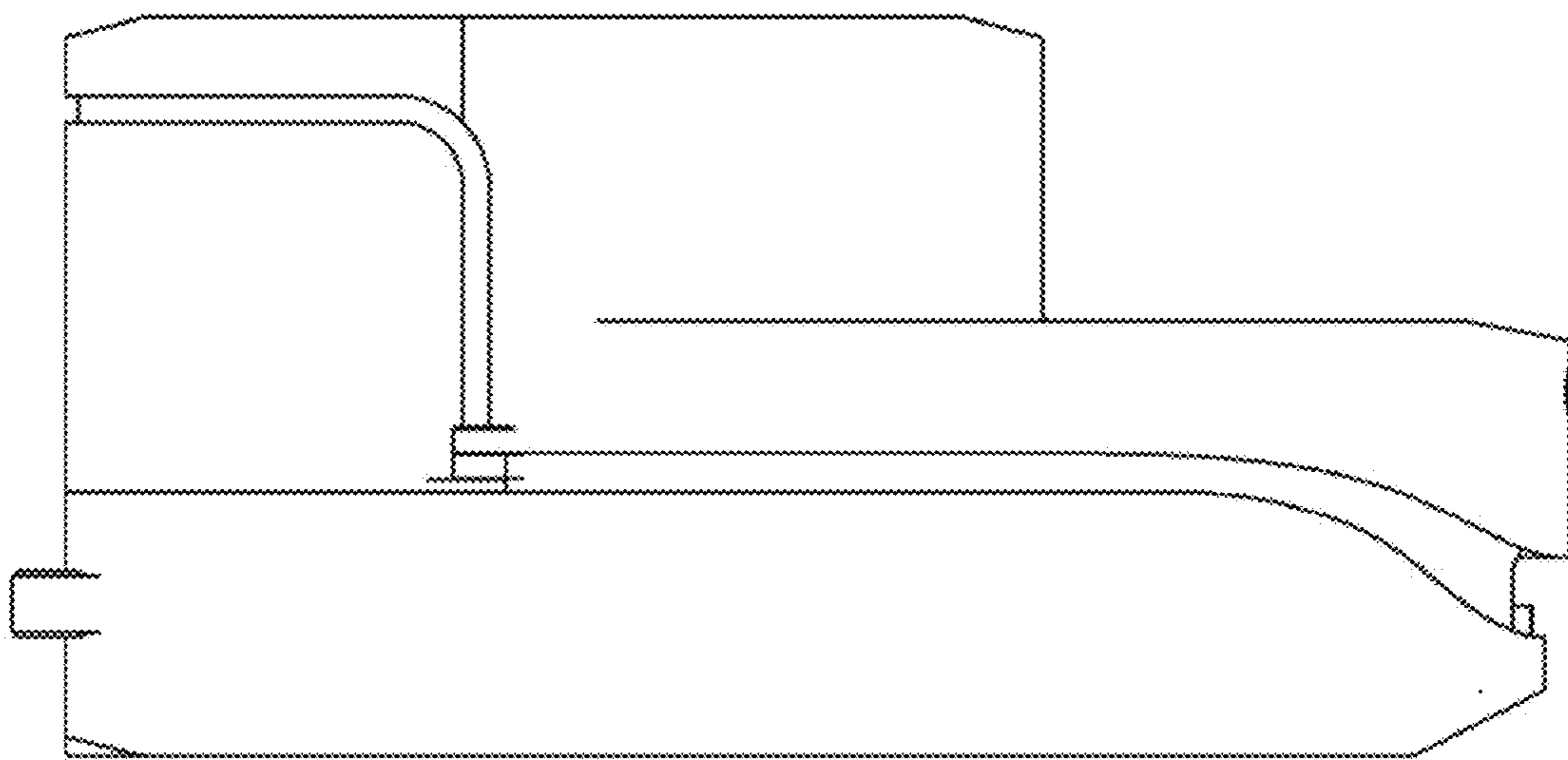
(52) **U.S. Cl.**

USPC ..... **D23/209**

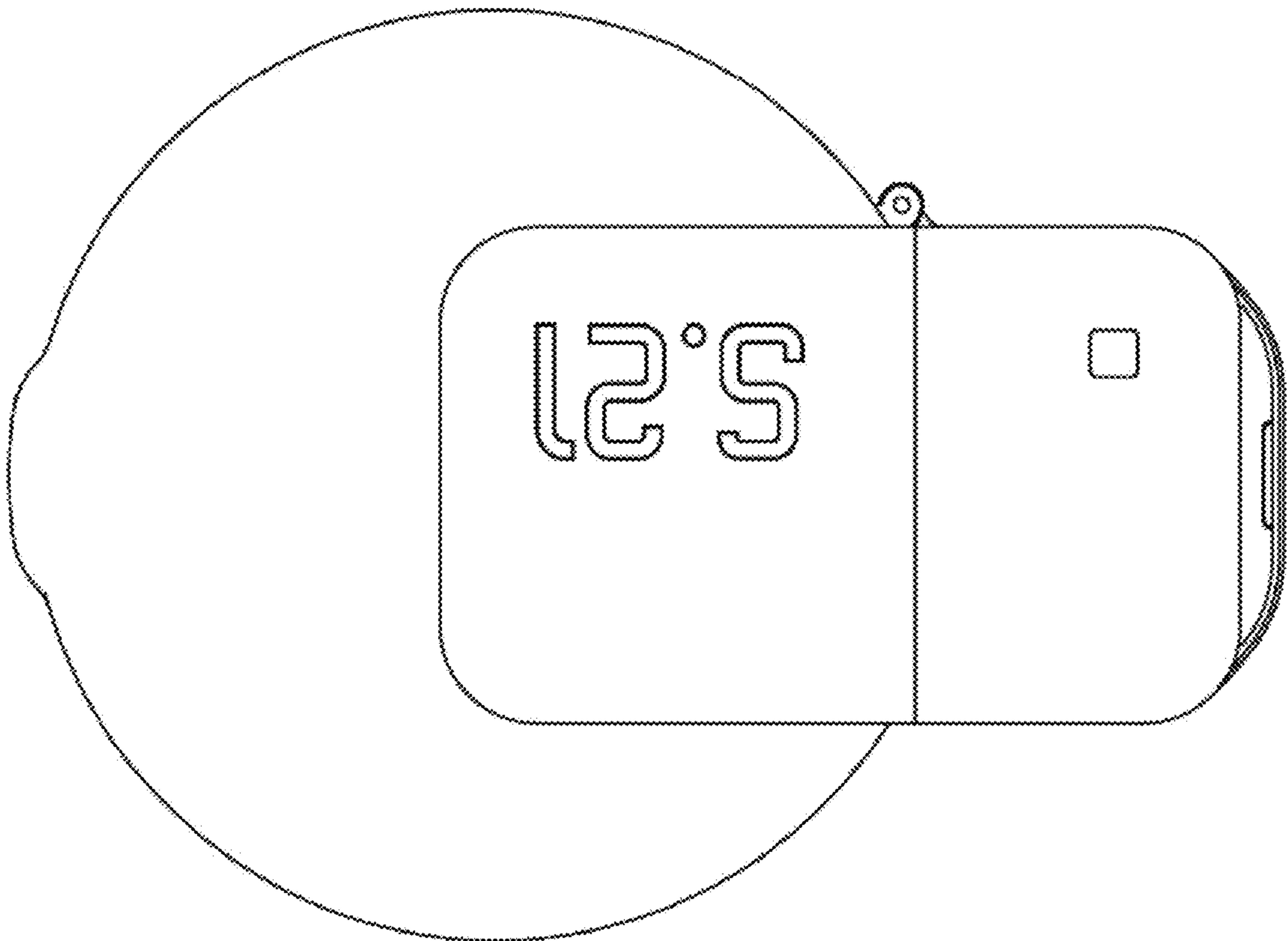
**1 Claim, 7 Drawing Sheets**



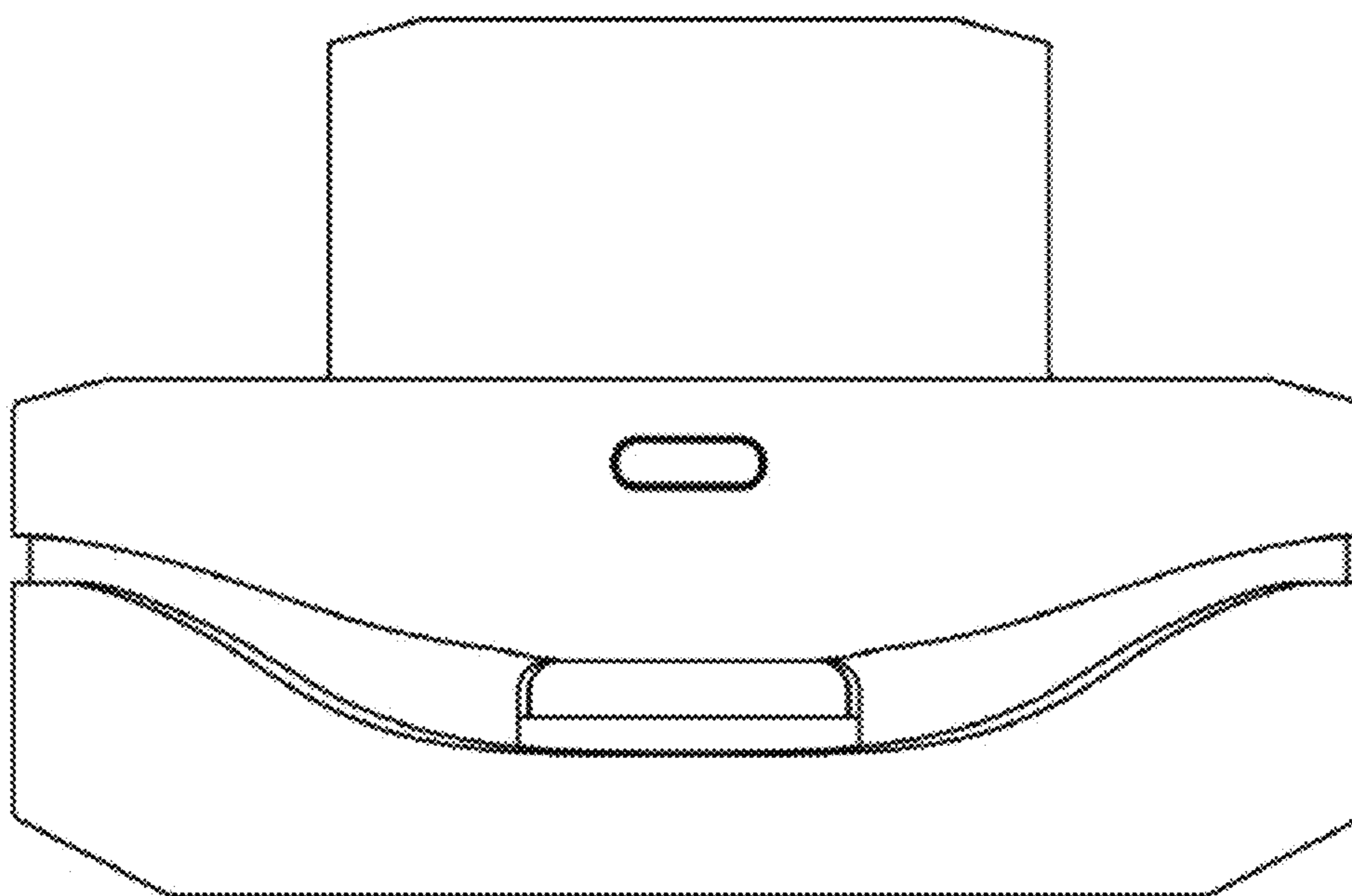
**1.1**



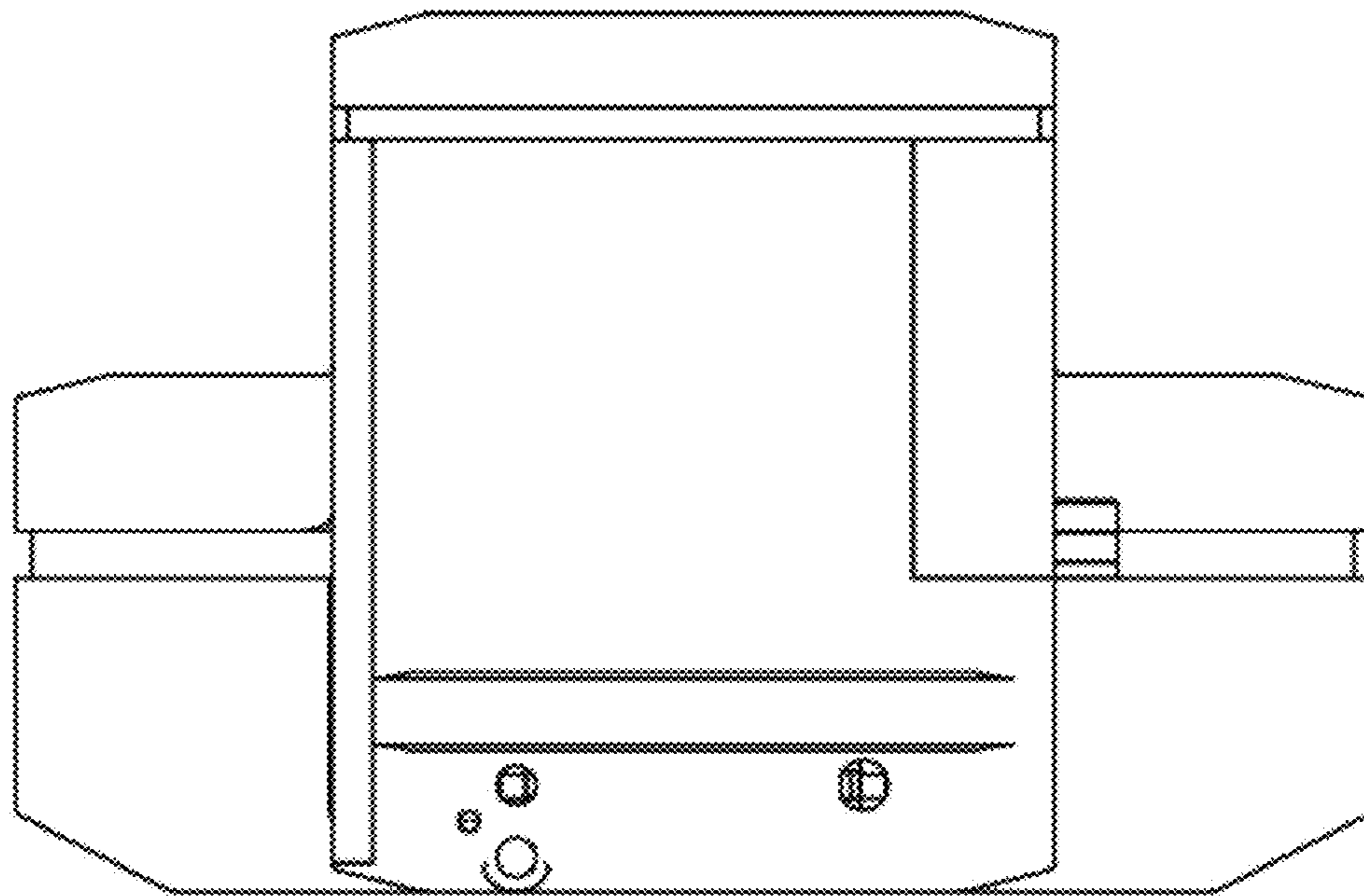
1.2



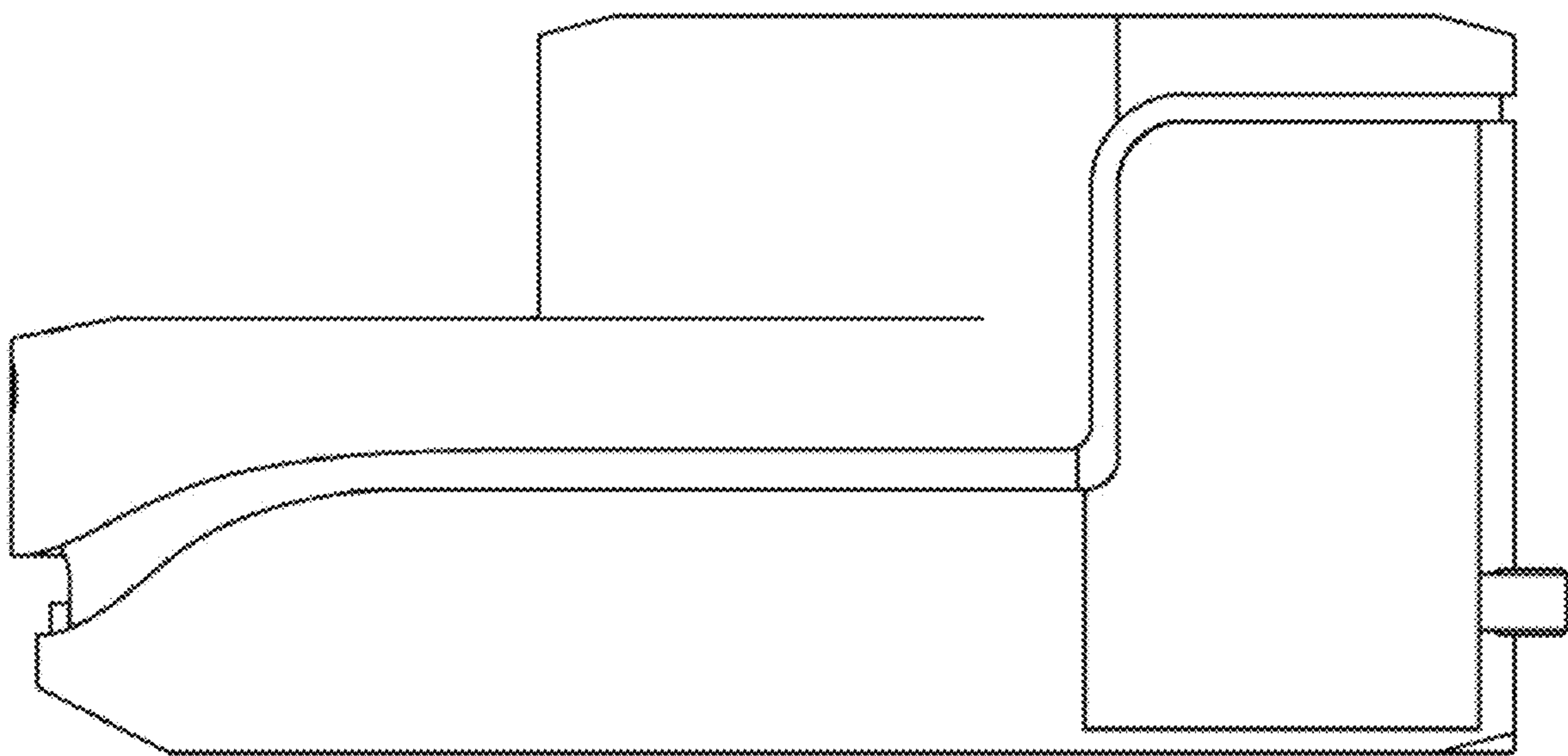
1.3



1.4

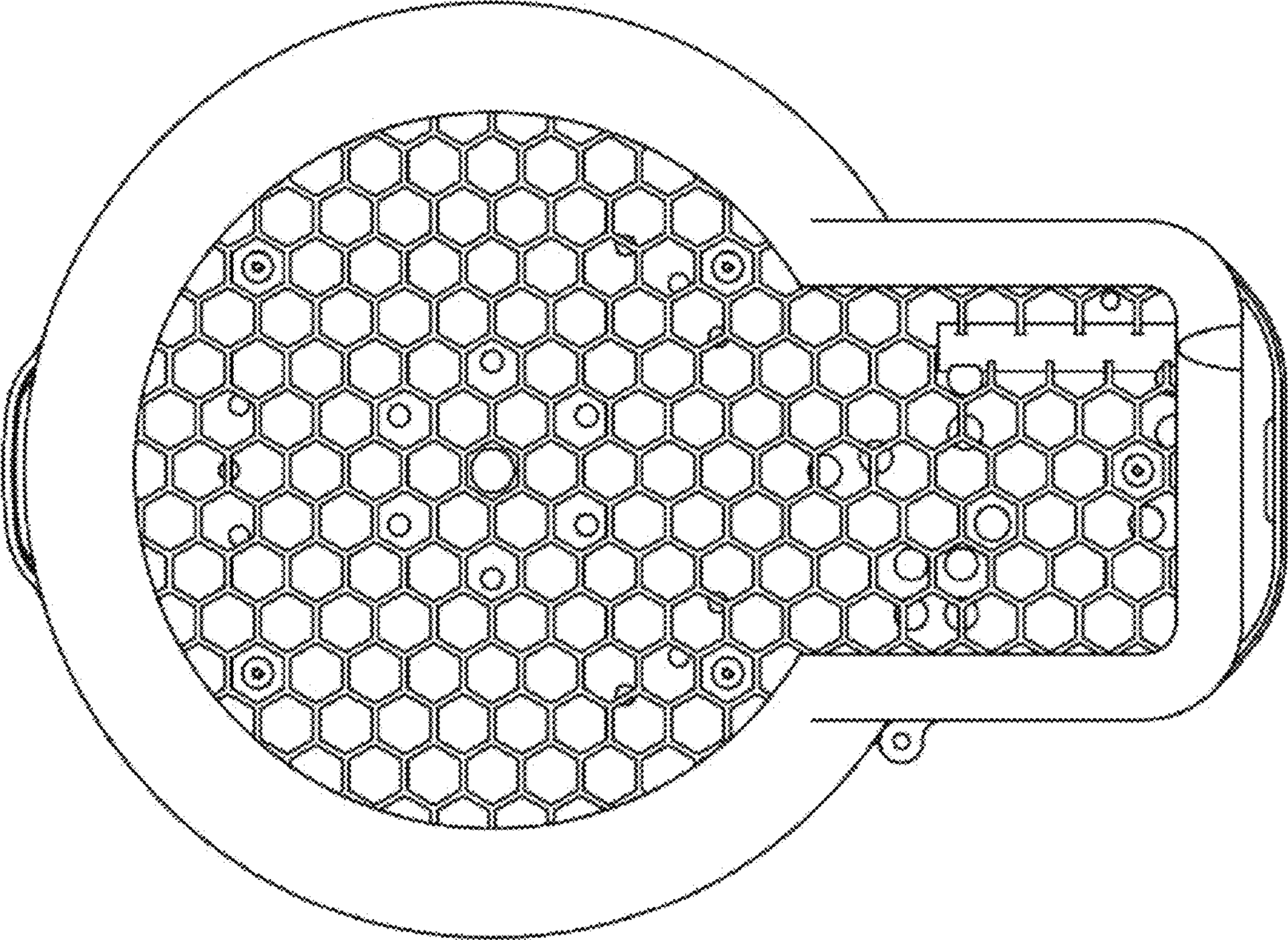


1.5





1.6



1.7

