



US00D949288S

(12) **United States Design Patent**
Wang

(10) **Patent No.:** **US D949,288 S**

(45) **Date of Patent:** **** Apr. 19, 2022**

(54) **FILTER OF WATER DRINKING DEVICE FOR PETS**

(71) Applicant: **Lingbo Wang**, Hubei (CN)

(72) Inventor: **Lingbo Wang**, Hubei (CN)

(**) Term: **15 Years**

(21) Appl. No.: **29/752,685**

(22) Filed: **Sep. 28, 2020**

(30) **Foreign Application Priority Data**

Aug. 26, 2020 (CN) 202030494458.3

(51) **LOC (13) Cl.** **23-01**

(52) **U.S. Cl.**
USPC **D23/209**

(58) **Field of Classification Search**
USPC D23/207-210, 355, 363, 365; D3/313; D15/90; D24/162
CPC C02F 1/002; C02F 1/003; C02F 2307/02; C02F 2307/04; C02F 2307/10; B01D 2239/06; B01D 2221/02; B01D 39/14; B65D 1/36; A01K 7/025
See application file for complete search history.

(56) **References Cited**

U.S. PATENT DOCUMENTS

- 3,624,777 A * 11/1971 Gardner A01K 63/045 210/167.26
- 3,746,169 A * 7/1973 Willinger A01K 63/045 210/87
- D246,724 S * 12/1977 Willinger D23/210
- D248,965 S * 8/1978 Willinger D23/210
- D314,616 S * 2/1991 Pepper D23/365
- D321,745 S * 11/1991 Murrell D23/209

- D762,833 S * 8/2016 Ogg D23/365
- D864,477 S * 10/2019 Liu D27/167
- D889,594 S * 7/2020 Fangman D23/207
- D889,595 S * 7/2020 Fangman D23/207
- 10,779,508 B2 * 9/2020 Imaizumi A01K 7/025
- D912,763 S * 3/2021 Huang D23/209
- D915,550 S * 4/2021 Gwen D23/209

OTHER PUBLICATIONS

Parner Pet Fountain Filters, Mar. 8, 2021, Amazon, site visited Jan. 10, 2022: <https://www.amazon.ca/dp/B08Y9216N5/> (Year: 2021).*
PETKIT Filter Units, Dec. 14, 2016, Amazon, site visited Jan. 10, 2022: <https://www.amazon.com/dp/B07H7FLX6B/> (Year: 2016).*
PK.ZTopia Cat Fountain Filter, Dec. 4, 2019, Amazon, site visited Jan. 10, 2022: <https://www.amazon.com/dp/B082CVL6BX/> (Year: 2019).*

* cited by examiner

Primary Examiner — Jack Reickel
Assistant Examiner — Bobby W Jones, II

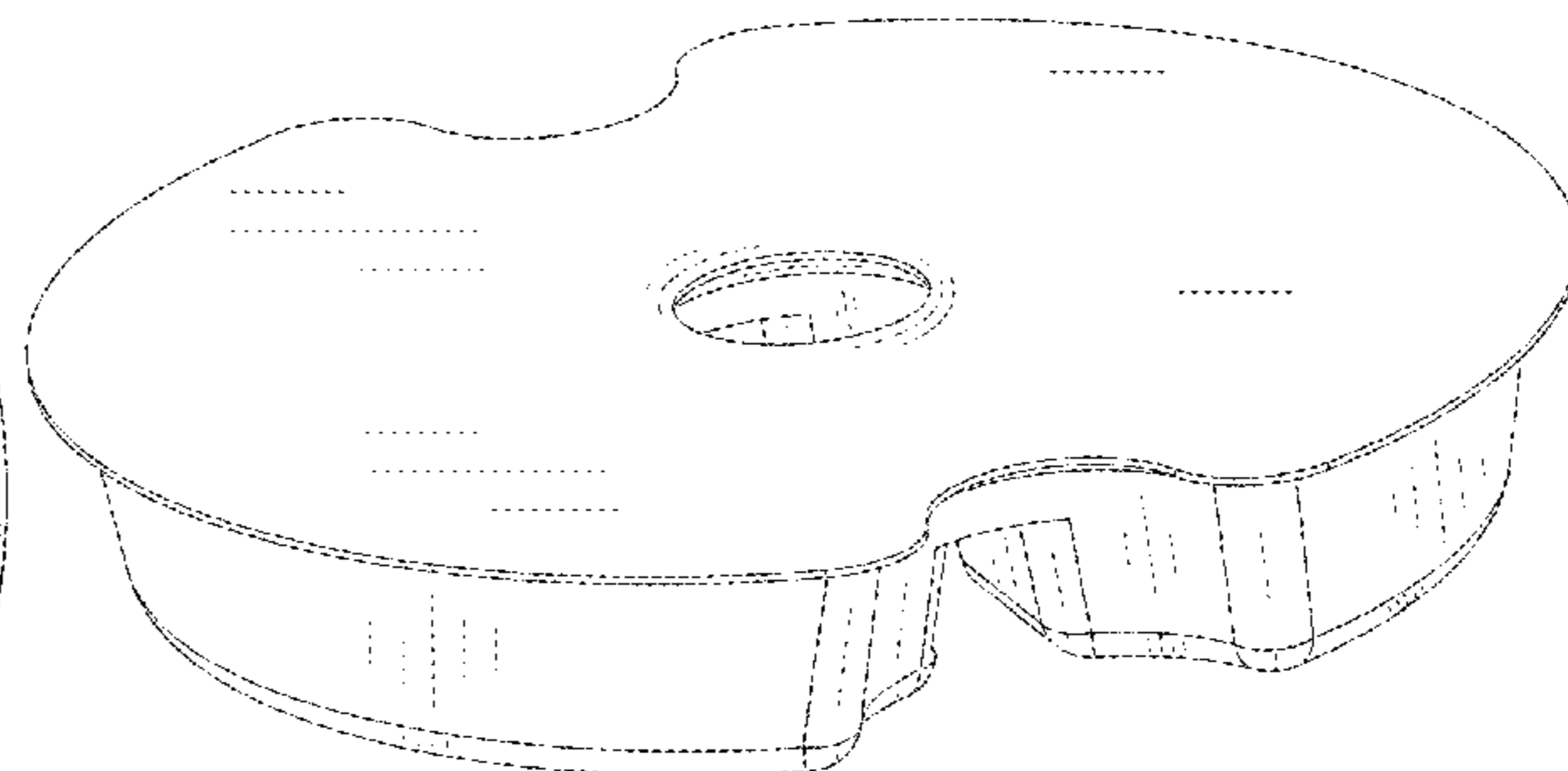
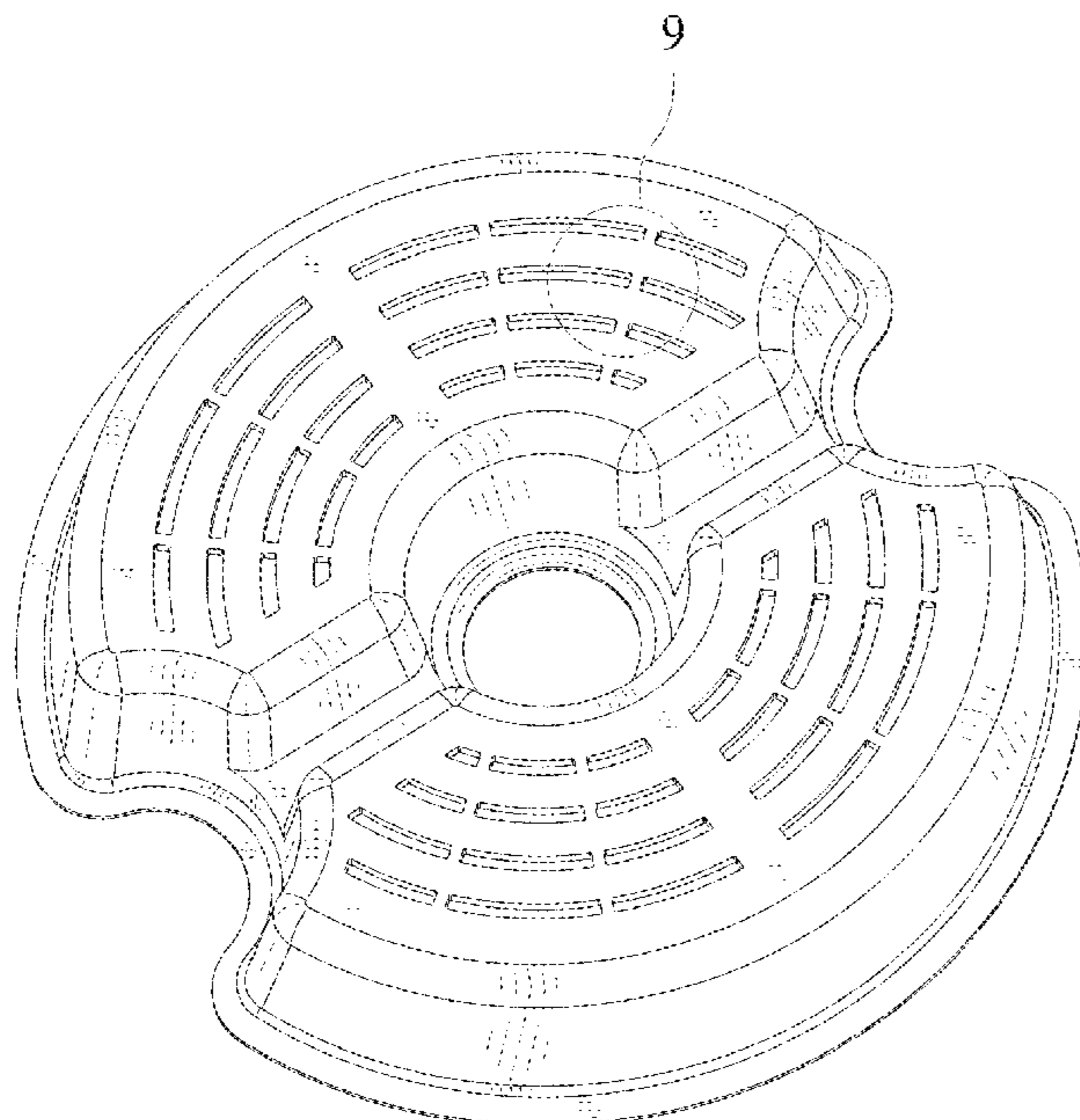
(57) **CLAIM**

The ornamental design for a filter of water drinking device for pets, as shown and described.

DESCRIPTION

FIG. 1 is a front elevational view of a filter of water drinking device for pets showing my new design;
FIG. 2 is a rear elevational view thereof;
FIG. 3 is a left side view thereof;
FIG. 4 is a right side view thereof;
FIG. 5 is a top plan view thereof;
FIG. 6 is a bottom plan view thereof;
FIG. 7 is a top perspective view thereof;
FIG. 8 is a bottom perspective view thereof; and,
FIG. 9 is an enlarged view of portion 9 in FIG. 7.

1 Claim, 9 Drawing Sheets



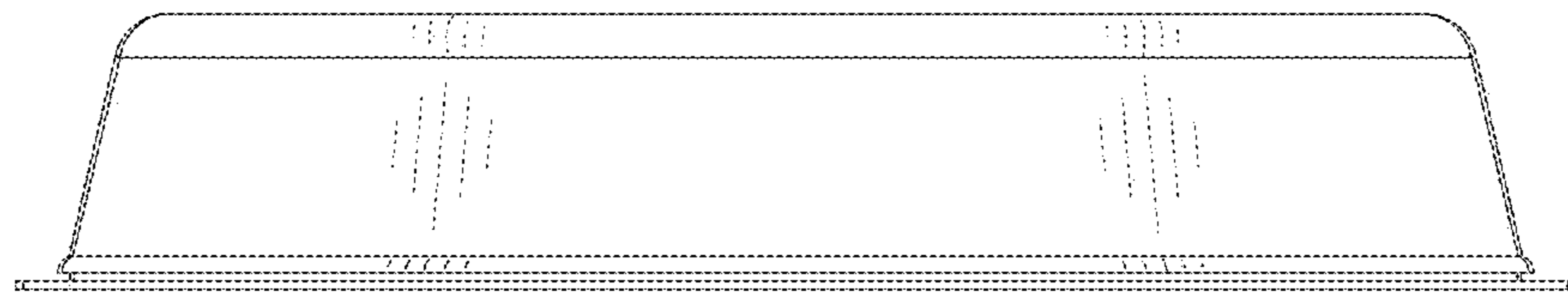


Fig.1

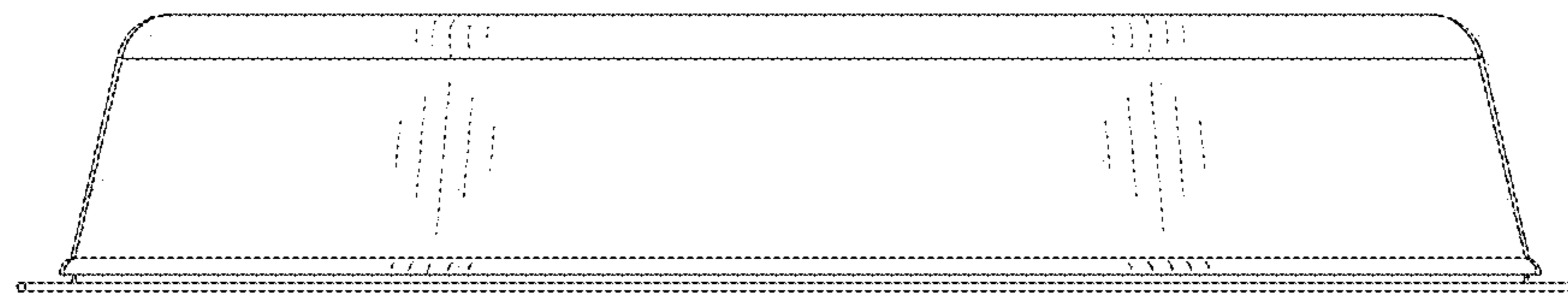


Fig.2

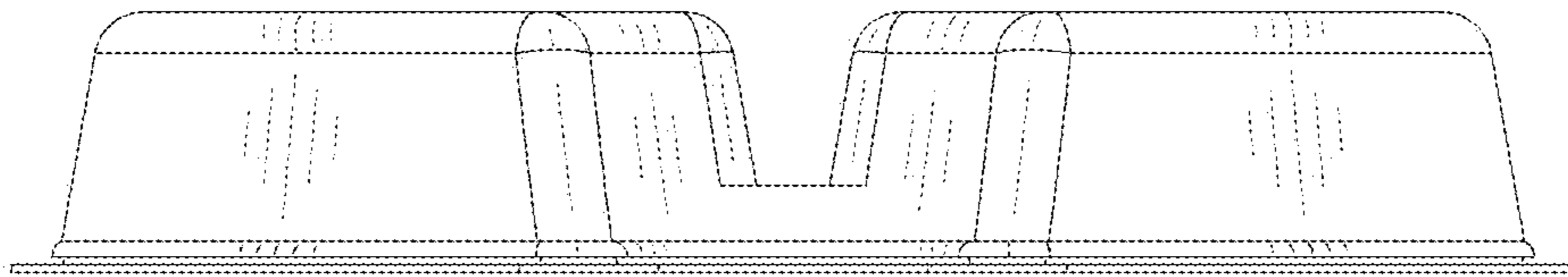


Fig.3

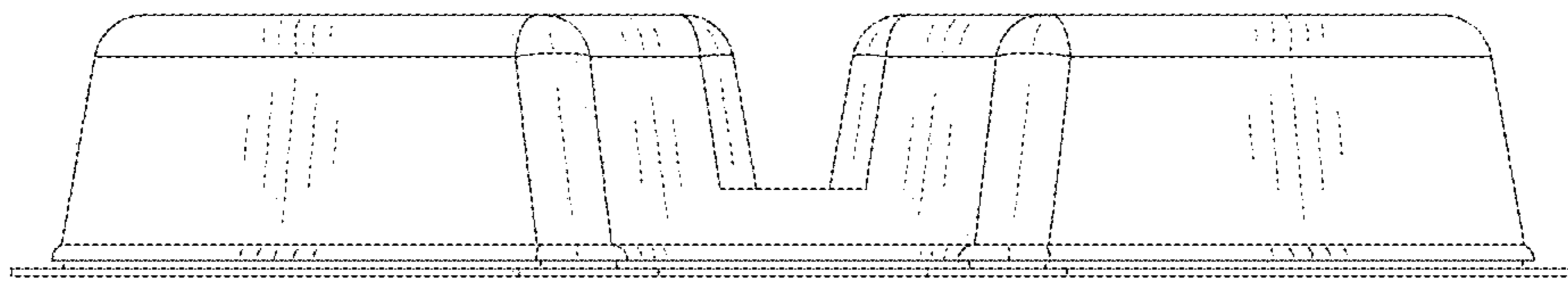


Fig.4

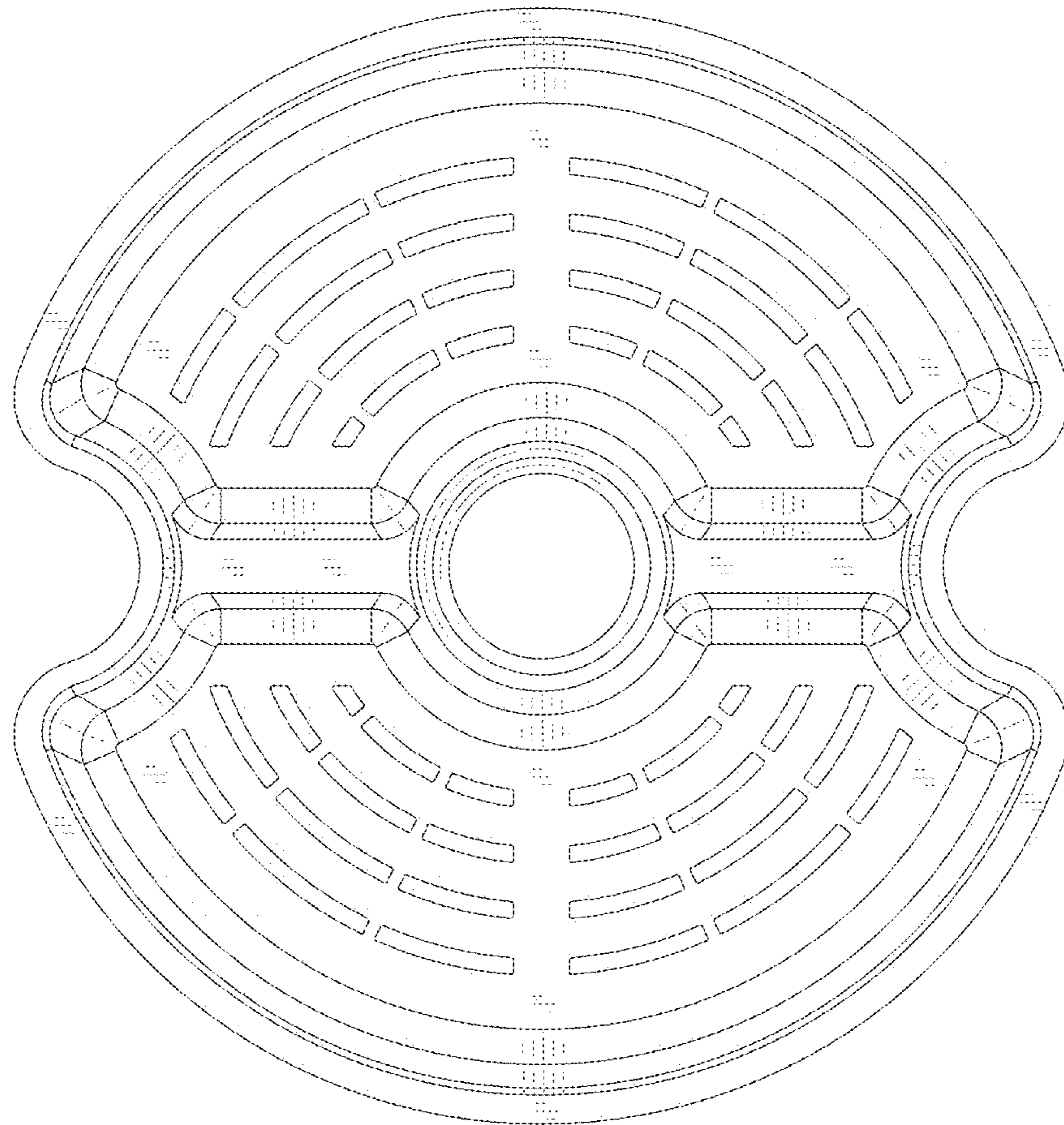


Fig.5

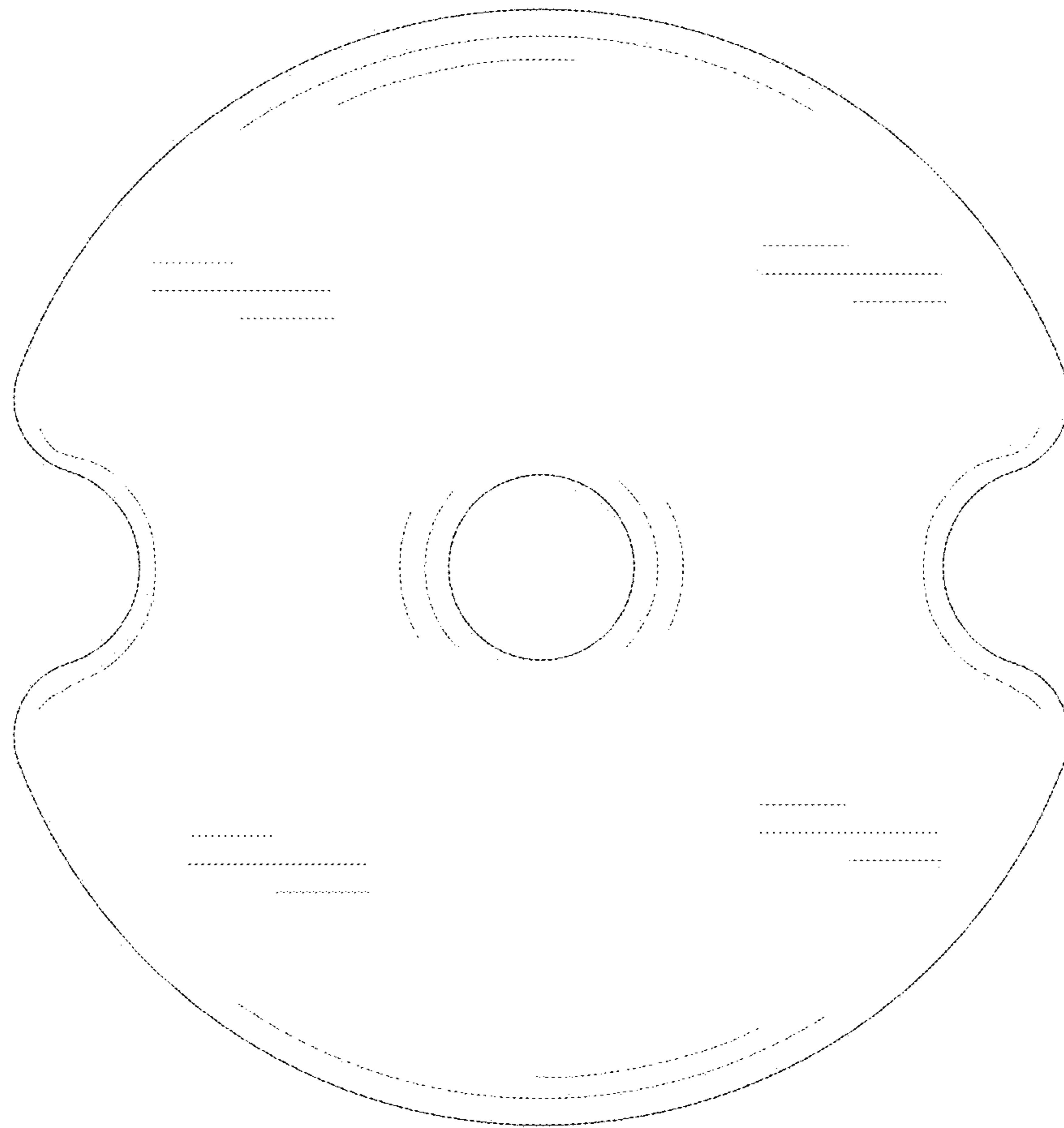


Fig.6

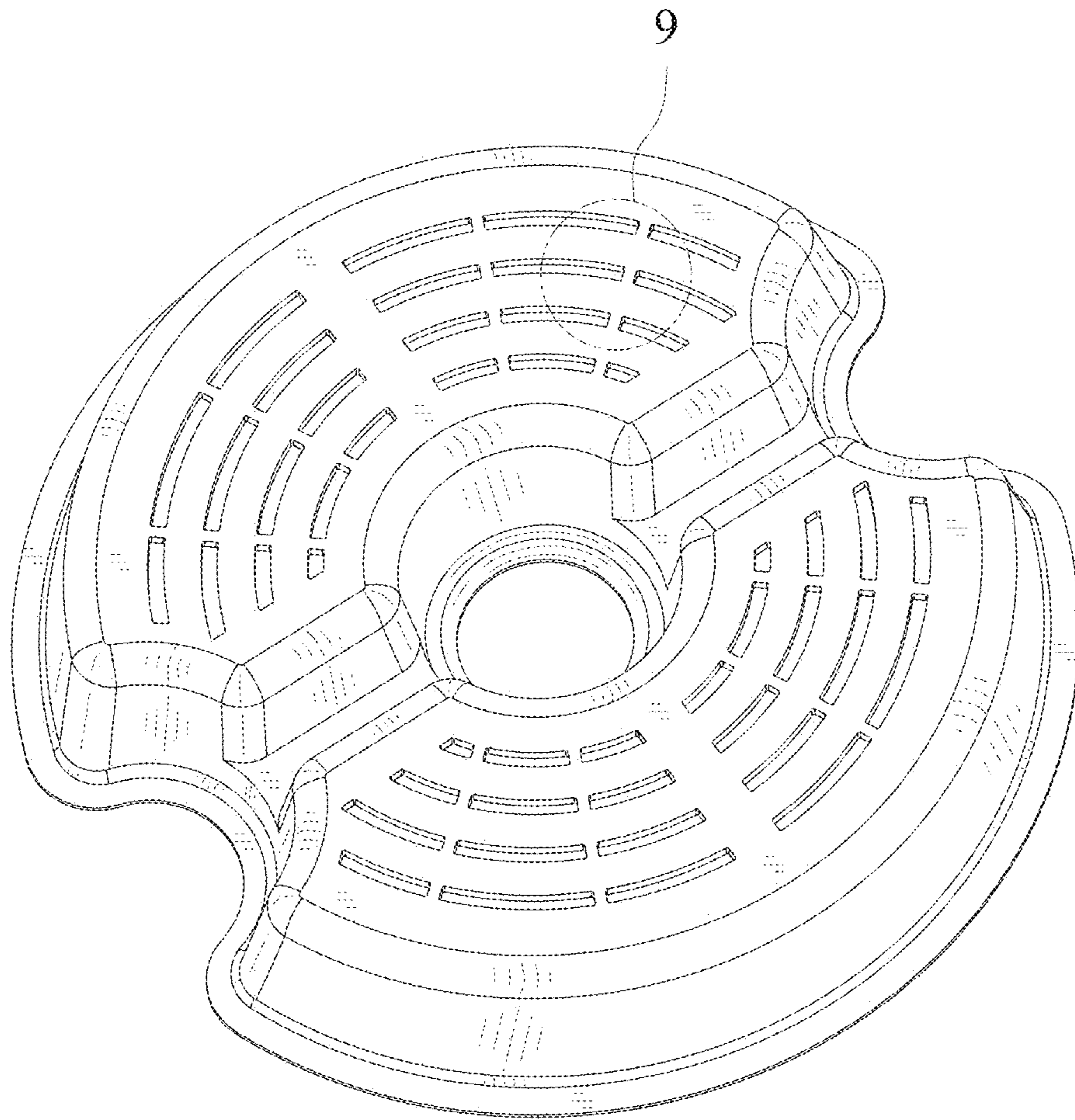


Fig.7

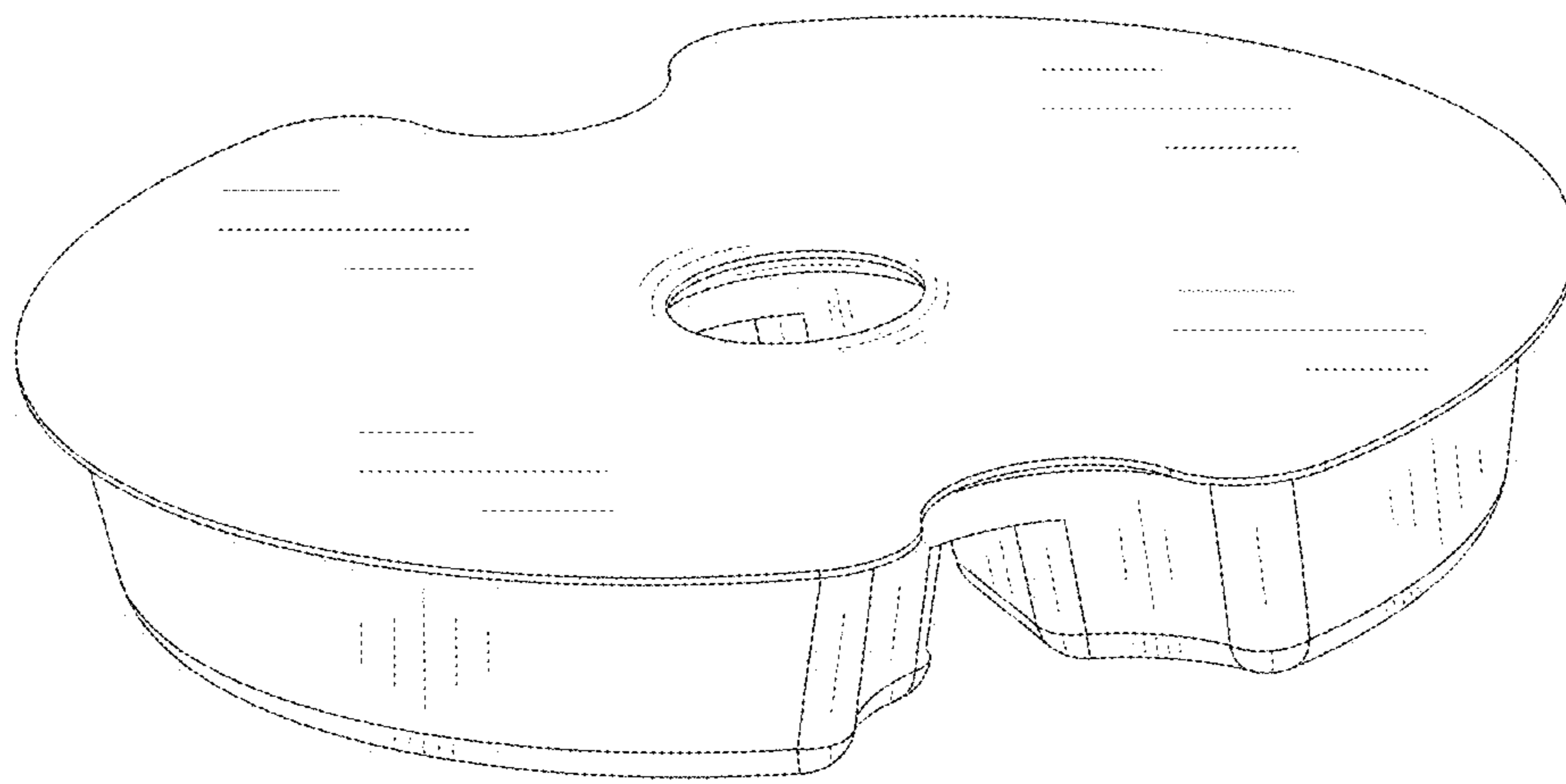


Fig.8

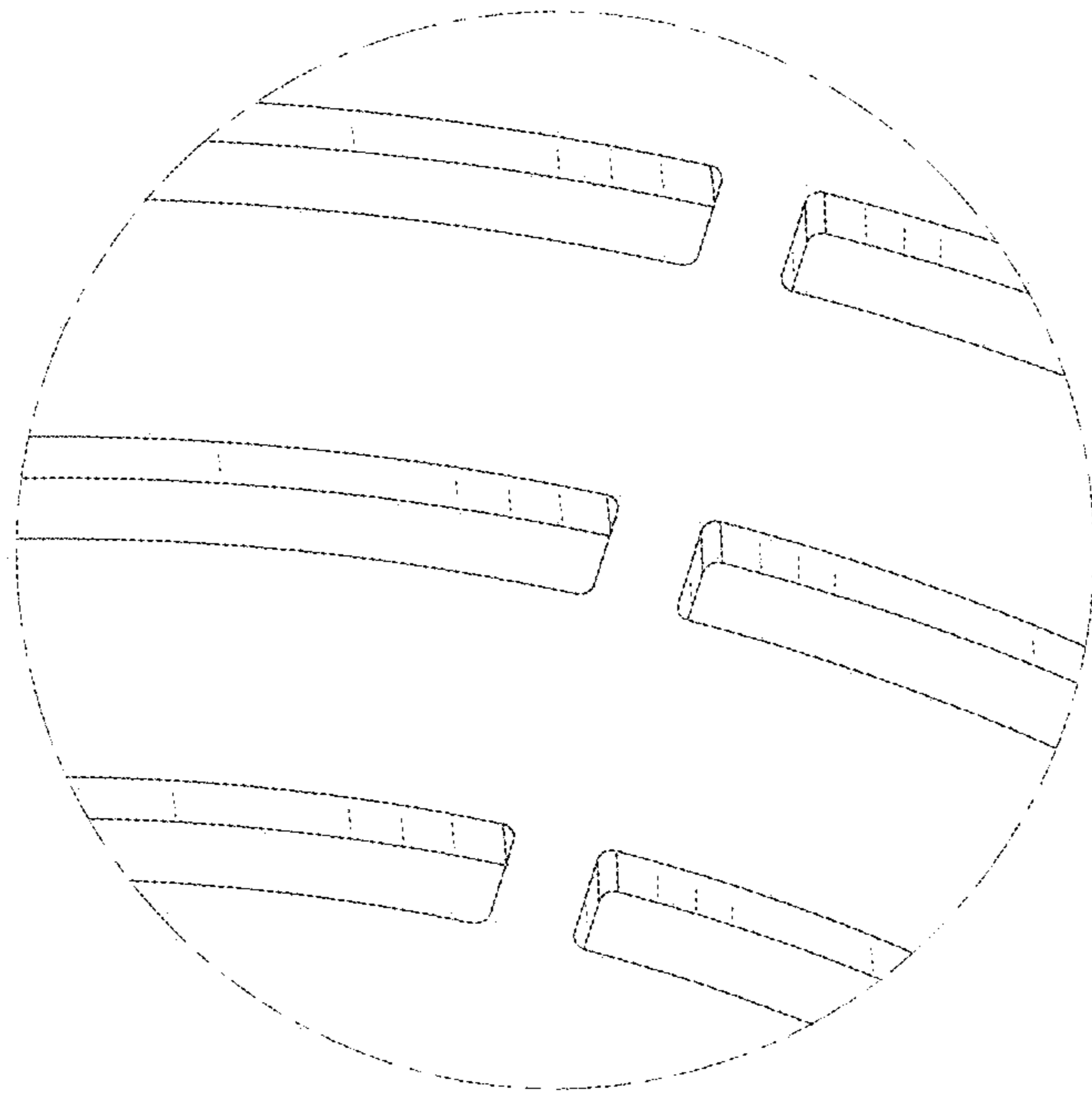


Fig.9