



US00D949285S

(12) **United States Design Patent**  
**Kremerman**

(10) **Patent No.:** **US D949,285 S**  
(45) **Date of Patent:** **\*\* Apr. 19, 2022**

(54) **DISTILLATION UNIT WITH MAGNETIC SPINNER**

(71) Applicant: **Elliot Kremerman**, Los Gatos, CA (US)

(72) Inventor: **Elliot Kremerman**, Los Gatos, CA (US)

(\*\*) Term: **15 Years**

(21) Appl. No.: **29/773,940**

(22) Filed: **Mar. 12, 2021**

**Related U.S. Application Data**

(63) Continuation-in-part of application No. 17/101,120, filed on Nov. 23, 2020, now Pat. No. 11,084,009.

(51) **LOC (13) Cl.** ..... **23-01**

(52) **U.S. Cl.**  
USPC ..... **D23/207**

(58) **Field of Classification Search**

USPC ..... D7/306-308; D23/204, 207, 209, D23/255-265; D24/108, 162, 204

CPC .... A61H 33/00; A61H 9/0021; B01D 5/0051; B01D 3/00; B01D 3/04; B01D 3/008

See application file for complete search history.

(56) **References Cited**

**U.S. PATENT DOCUMENTS**

D226,562 S	3/1973	Zakaski	
5,217,580 A *	6/1993	Chen	B01D 3/02 202/185.2
D389,556 S *	1/1998	Feldman	D23/207
D444,204 S	6/2001	Hilgers et al.	
D444,845 S *	7/2001	Hilgers	D23/207
D451,176 S	11/2001	Millard et al.	

D629,488 S *	12/2010	McGreevy	D23/209
D634,397 S *	3/2011	Lautzenheiser	D23/207
D785,769 S	5/2017	Rambin	
D896,920 S *	9/2020	Maibach, Jr.	D23/207
D896,921 S *	9/2020	Maibach, Jr.	D23/207
D896,922 S *	9/2020	Maibach, Jr.	B01L 3/16 D23/207
D910,809 S	2/2021	Pawlak	
D919,040 S *	5/2021	Kremerman	B01D 3/02 D23/207
2018/0161693 A1 *	6/2018	Kremerman	B01D 5/006
2018/0280829 A1 *	10/2018	Hao	B01L 3/16
2019/0076752 A1 *	3/2019	Maibach	B01D 5/006

\* cited by examiner

*Primary Examiner* — Karen S Acker

*Assistant Examiner* — Jonathan E Fiencke

(74) *Attorney, Agent, or Firm* — Michael J. Feigin, Esq.; Feigin and Fridman LLC

(57) **CLAIM**

The ornamental design for a distillation unit with magnetic spinner, as shown and described.

**DESCRIPTION**

FIG. 1 shows a top and side perspective view of a distillation unit with magnetic spinner.

FIG. 2 shows a reverse bottom and side perspective view thereof.

FIG. 3 shows a first elevation view thereof.

FIG. 4 shows a second elevation view thereof.

FIG. 5 shows a third side elevation view thereof.

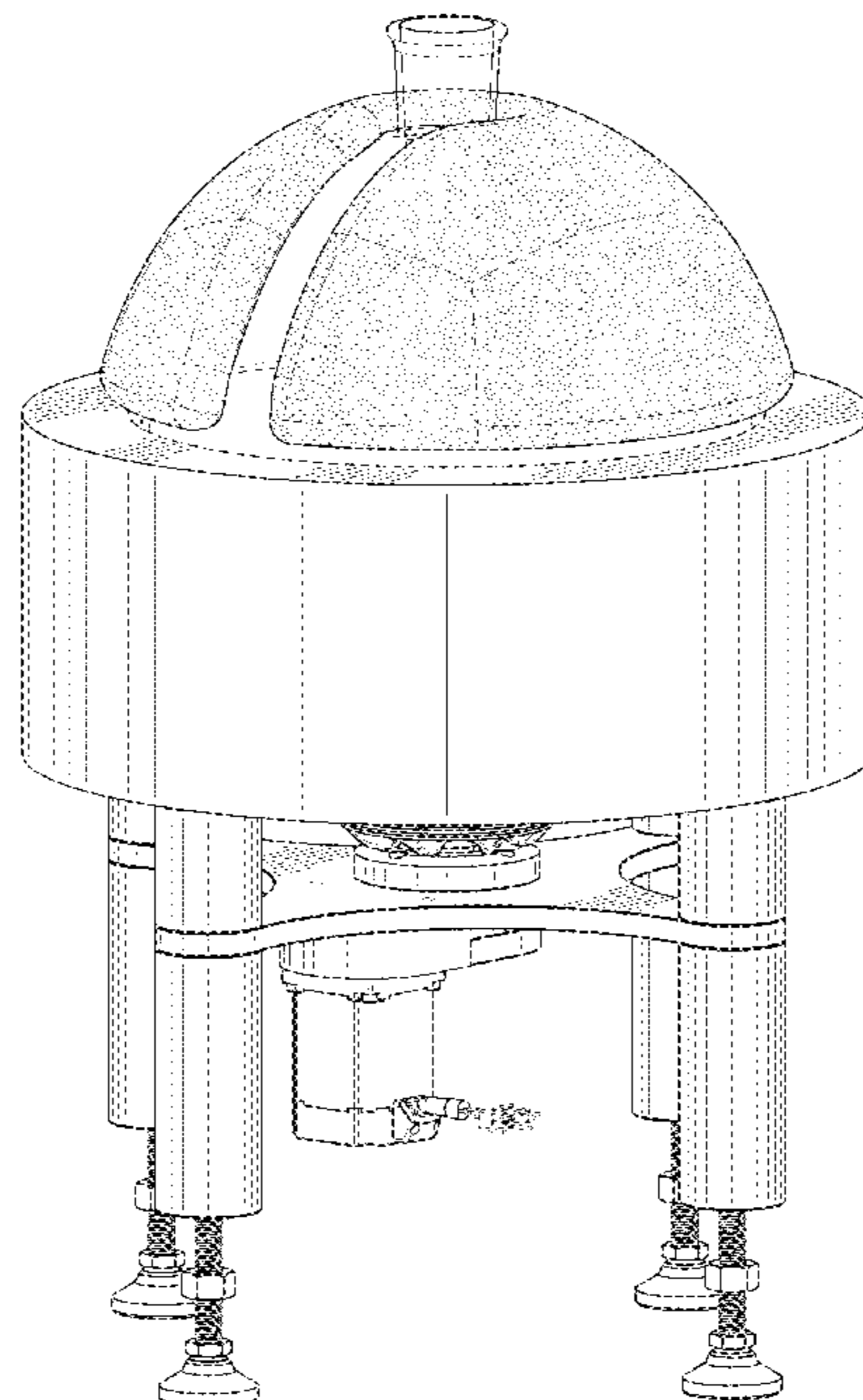
FIG. 6 shows a fourth side elevation view thereof.

FIG. 7 shows a top plan view thereof; and,

FIG. 8 shows a bottom plan view thereof.

The broken lines depict portions of the distillation unit with magnetic spinner that form no part of the claimed design.

**1 Claim, 8 Drawing Sheets**



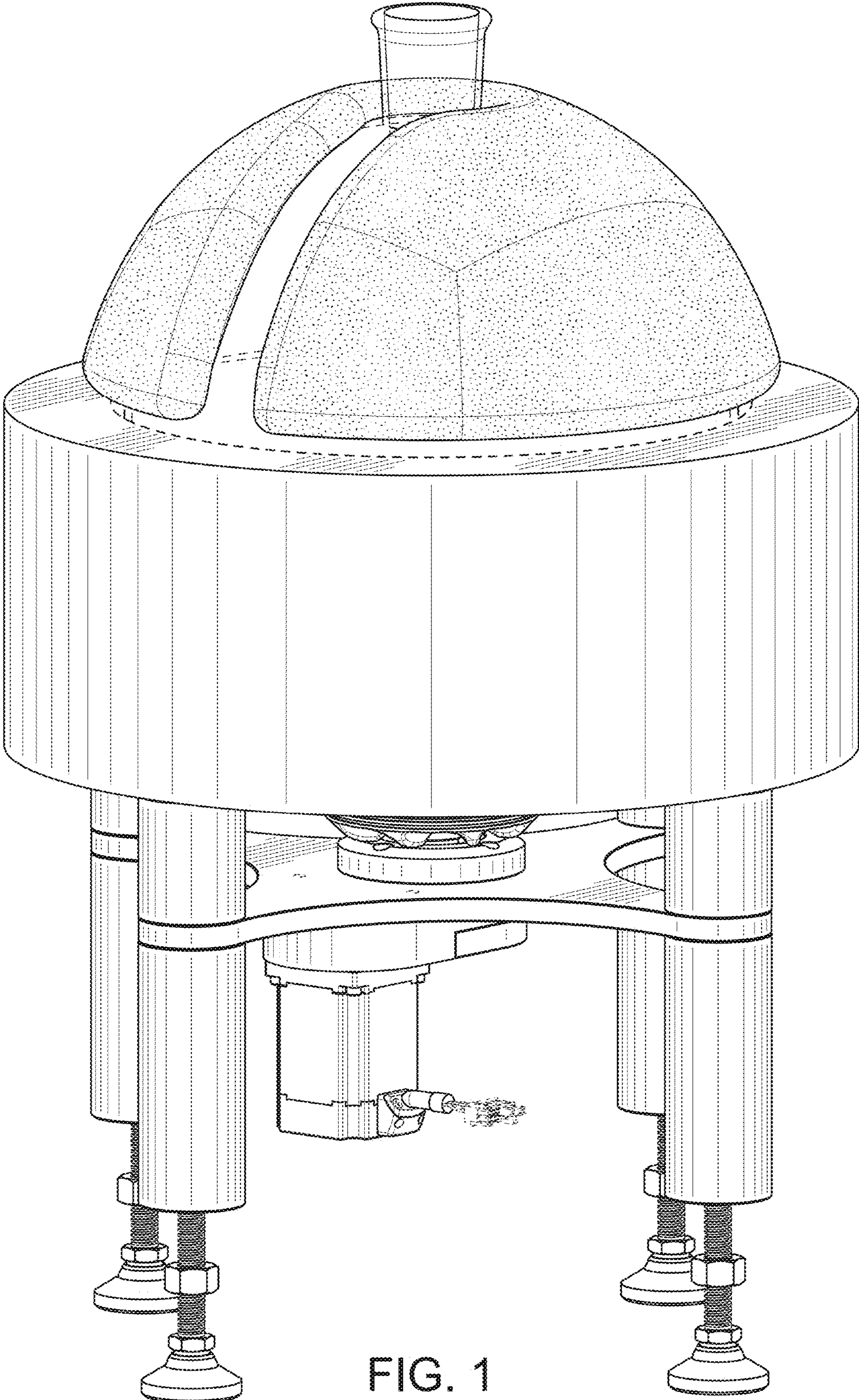


FIG. 1

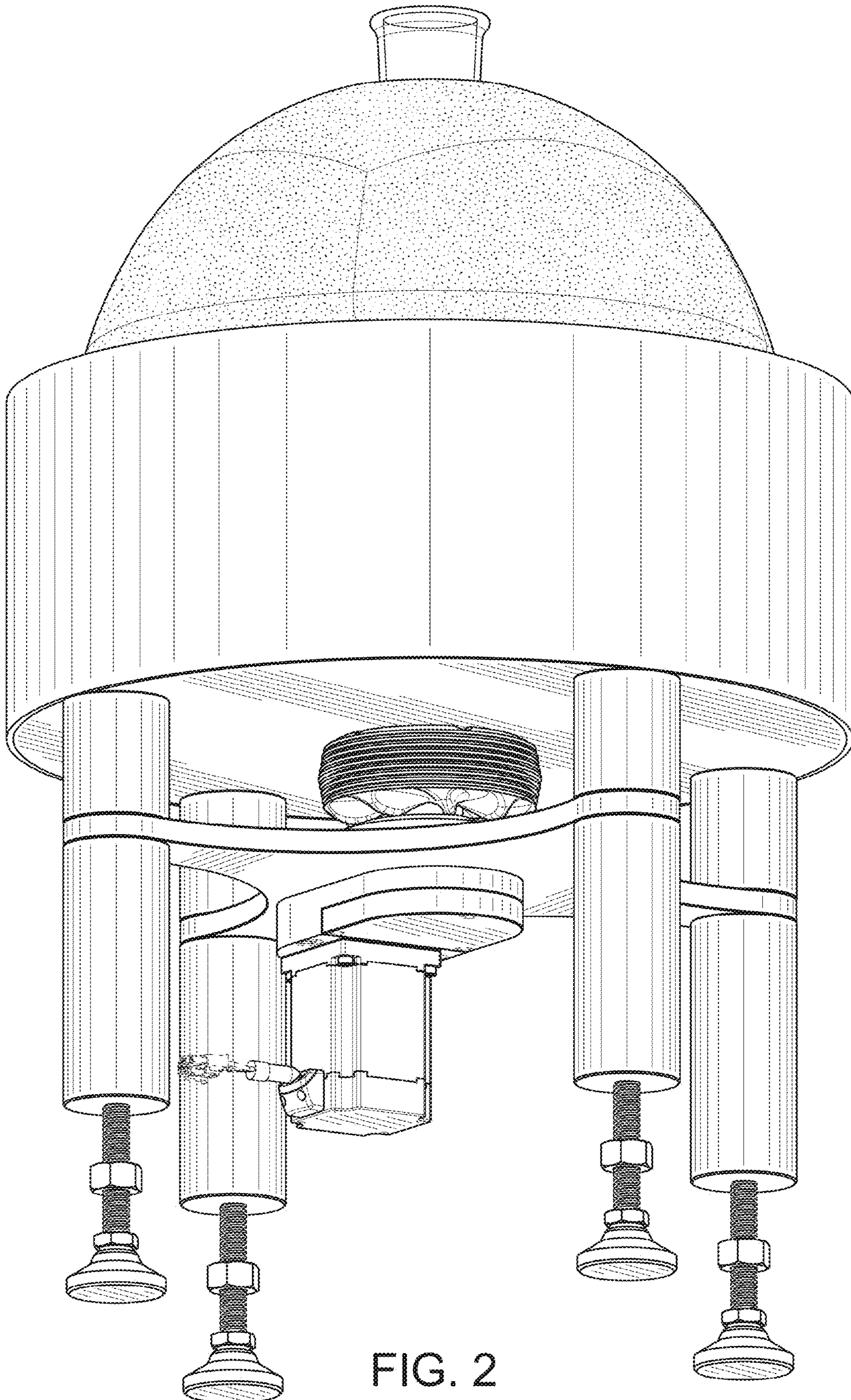


FIG. 2

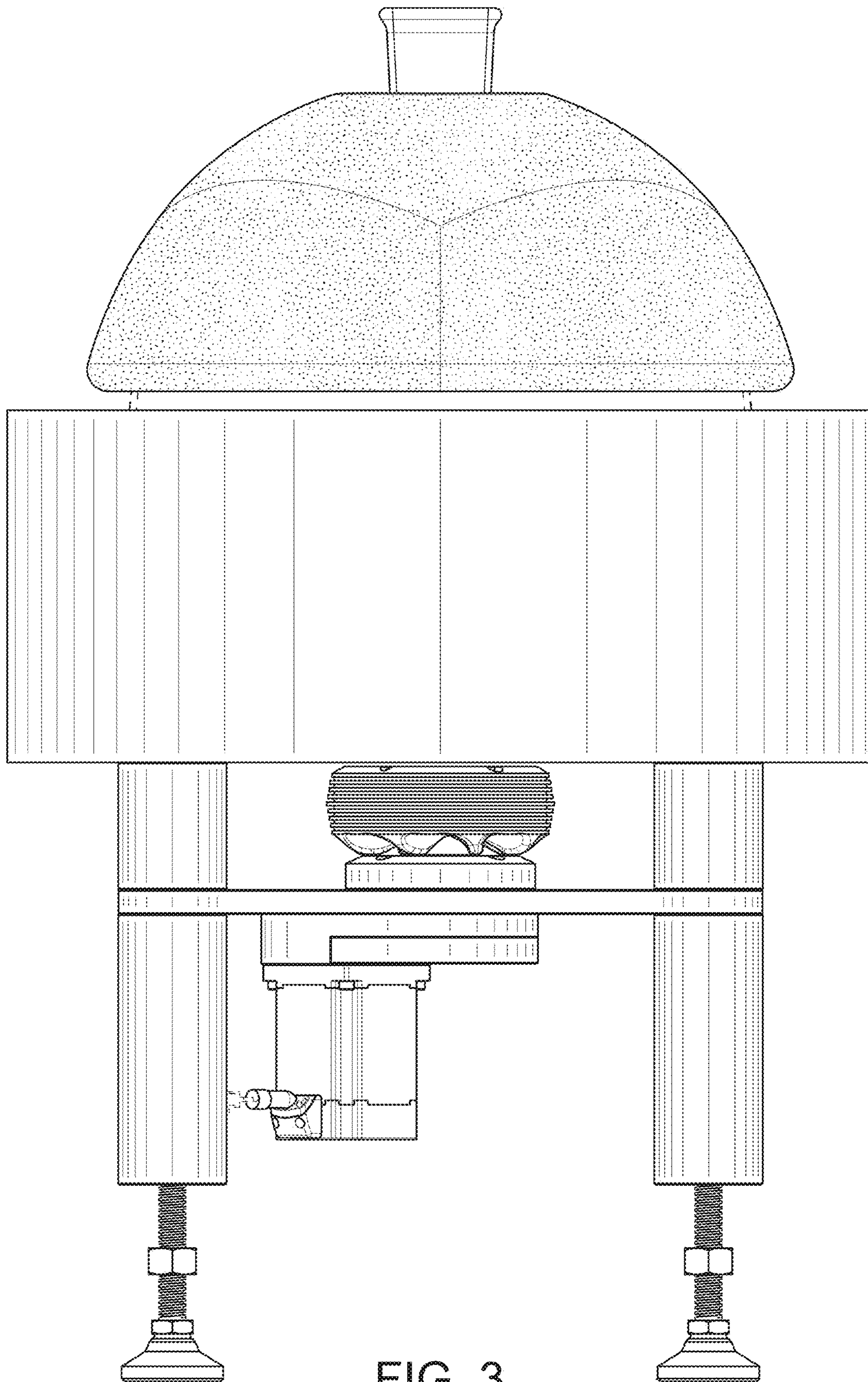


FIG. 3

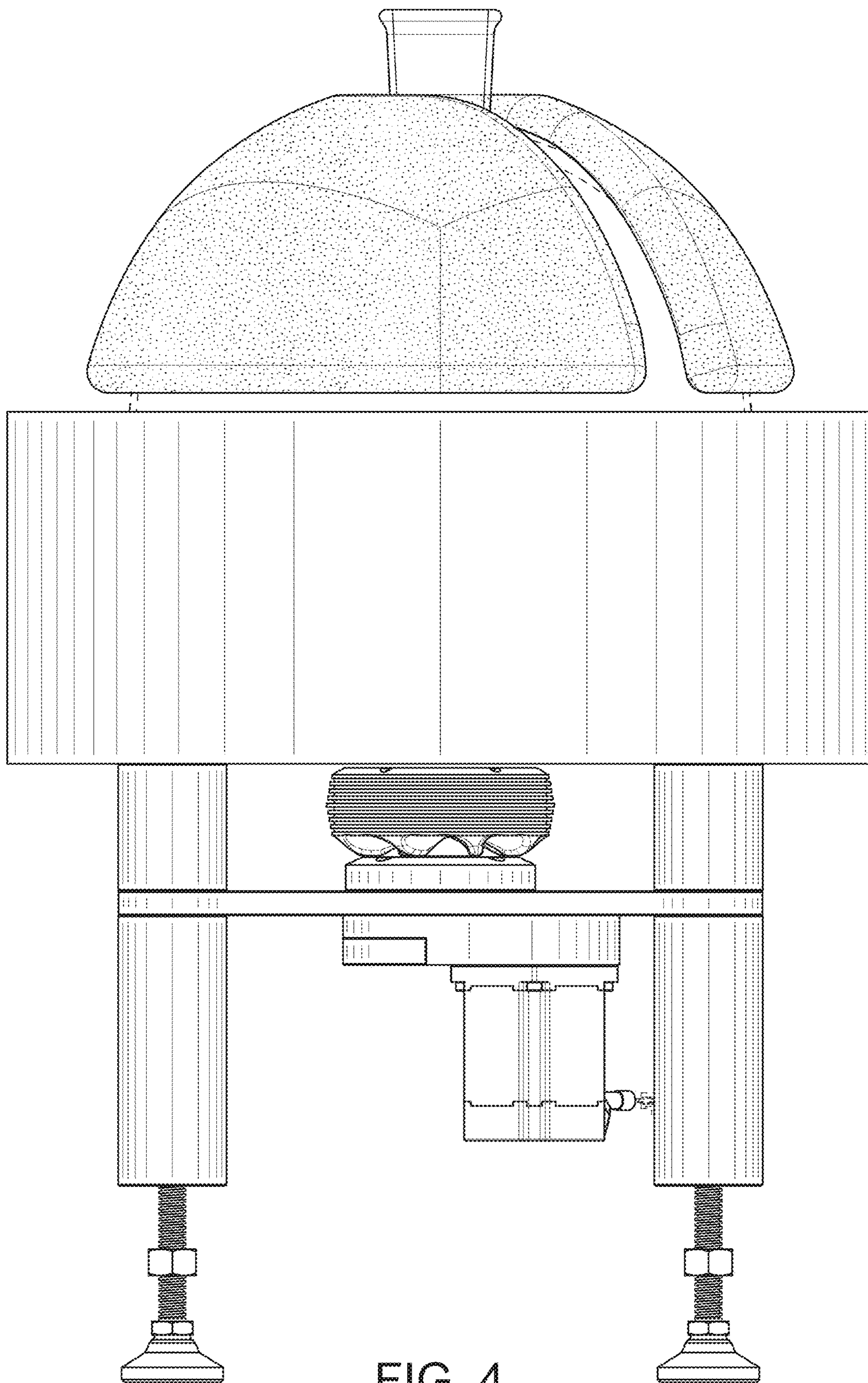


FIG. 4

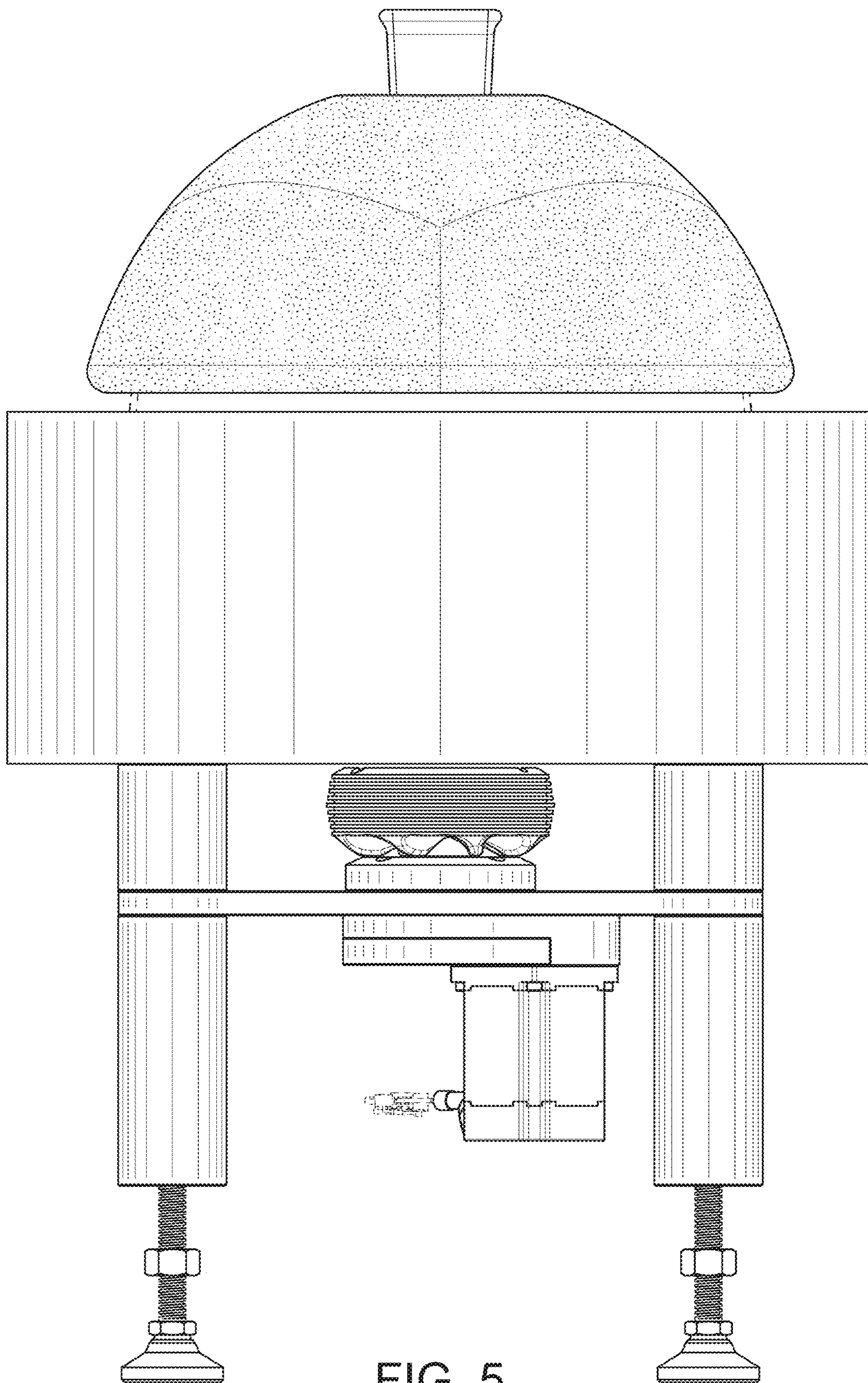


FIG. 5

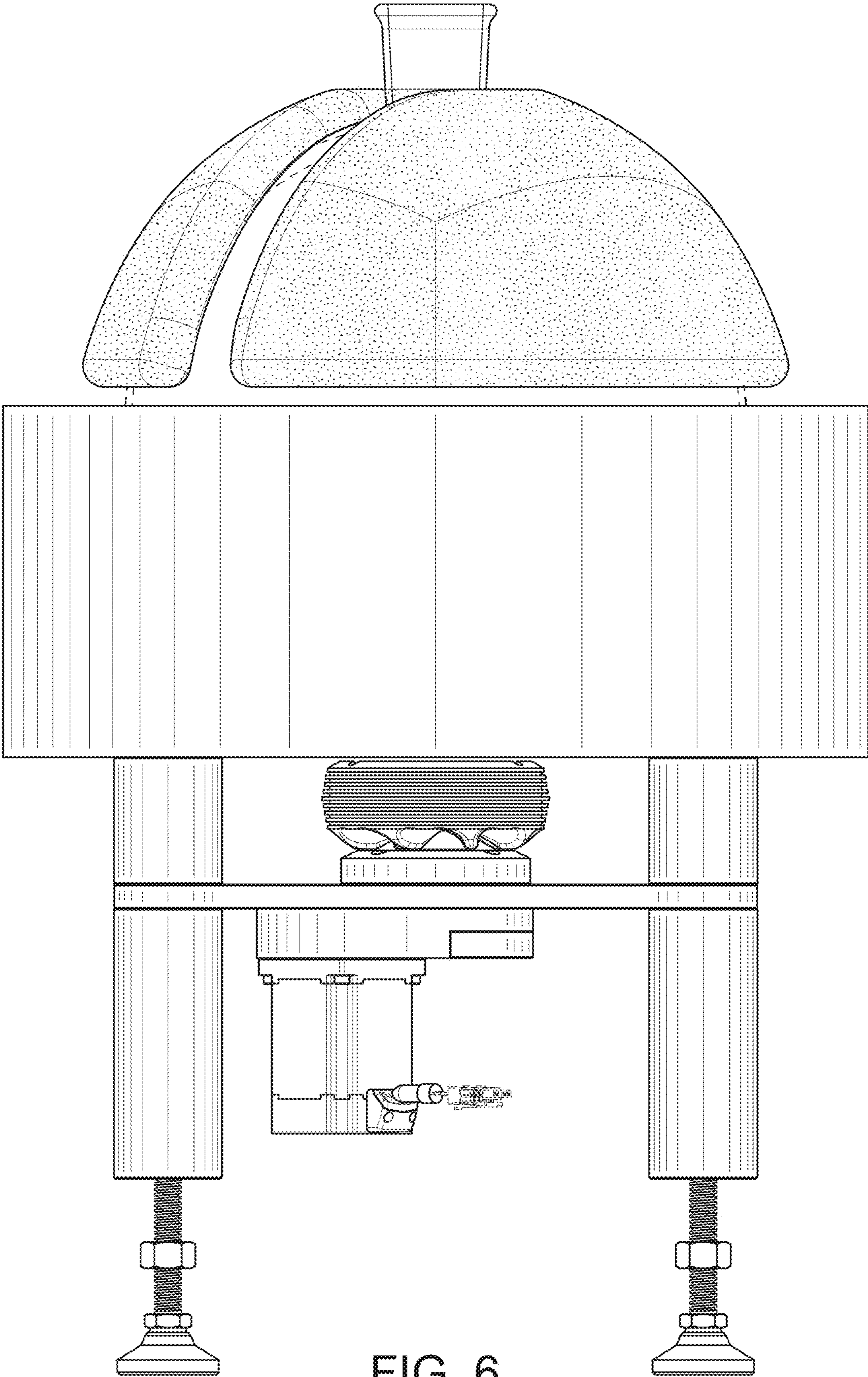


FIG. 6

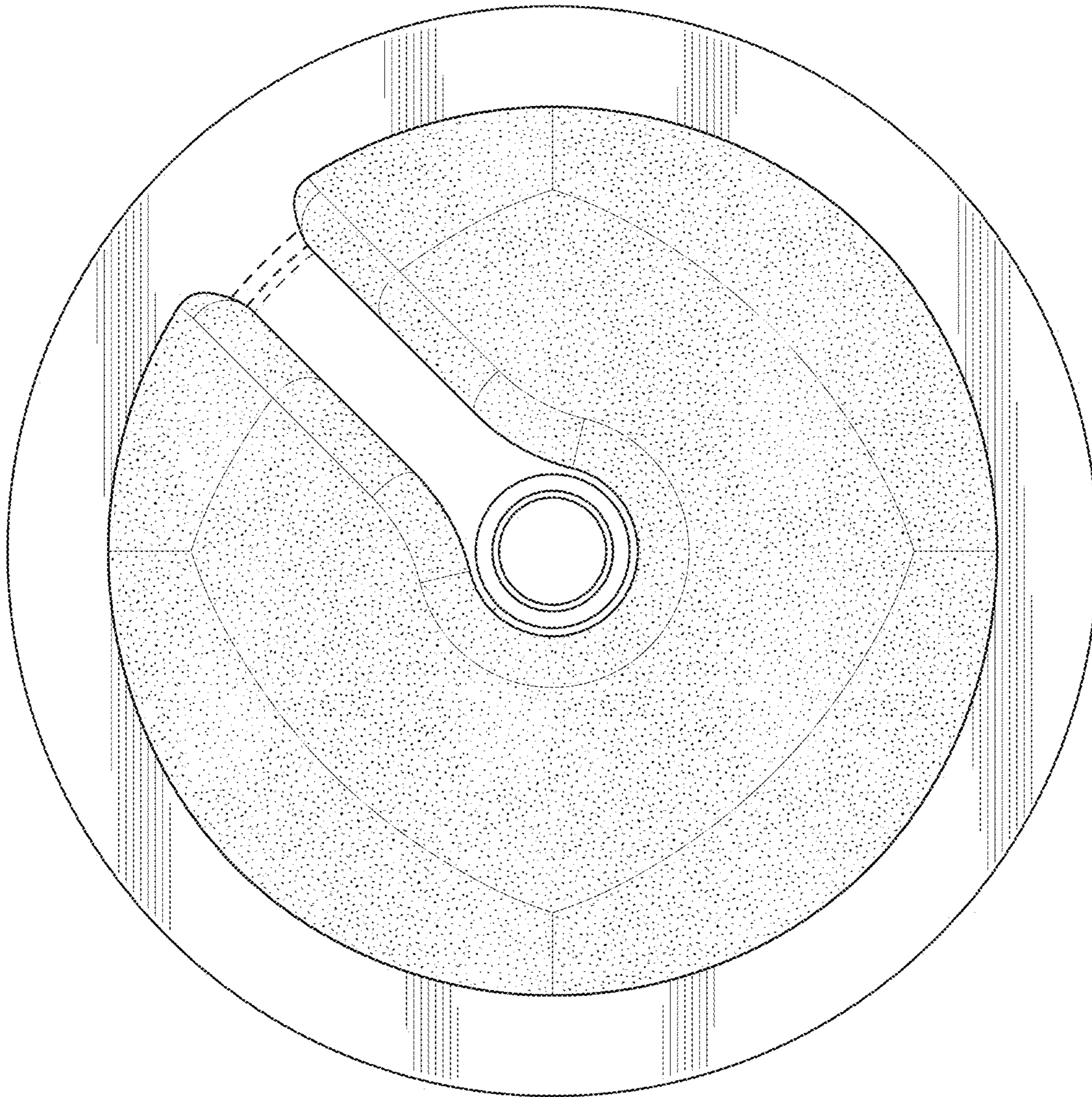


FIG. 7



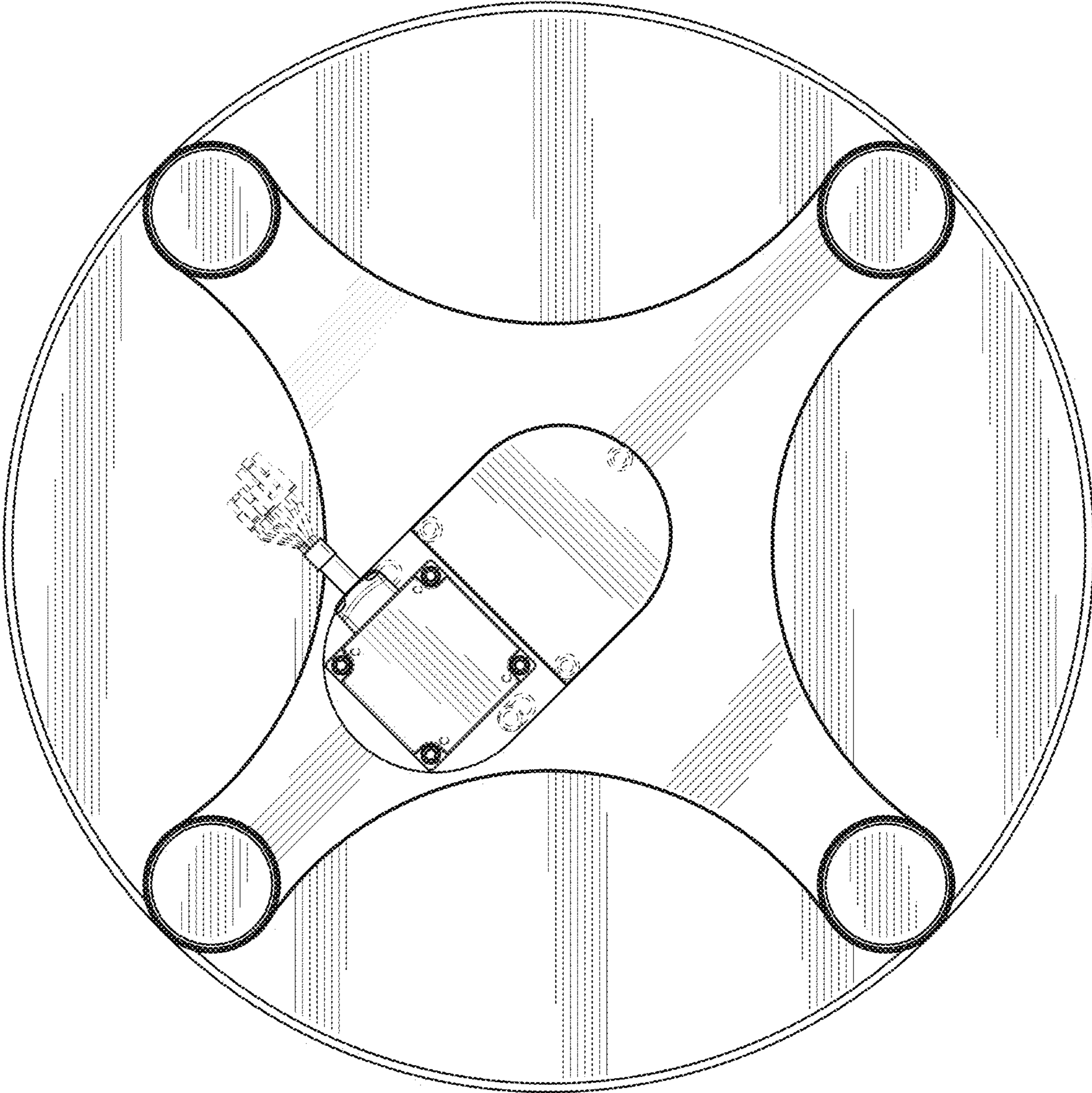


FIG. 8