



US00D949284S

(12) **United States Design Patent**
Xu

(10) **Patent No.:** **US D949,284 S**
(45) **Date of Patent:** **** Apr. 19, 2022**

(54) **BASE FOR WATER PURIFICATION FILTER**

(71) Applicant: **Ningbo Eastpure Environmental Technology Co., Ltd., Ningbo (CN)**

(72) Inventor: **Yanfeng Xu, Ningbo (CN)**

(73) Assignee: **Ningbo Eastpure Environmental Technology Co., Ltd., Ningbo (CN)**

(**) Term: **15 Years**

(21) Appl. No.: **29/759,068**

(22) Filed: **Nov. 19, 2020**

(30) **Foreign Application Priority Data**

Nov. 3, 2020 (CN) 202030661891.1

(51) **LOC (13) Cl.** **23-01**

(52) **U.S. Cl.**
USPC **D23/206**

(58) **Field of Classification Search**
USPC D23/206, 213, 214, 215, 222, 223, 224,
D23/226, 229, 230; D25/36; D6/691.4,
D6/695, 695.2
CPC A61H 9/0021; A61H 33/00; B05B 1/00;
B05B 1/14; B05B 1/185; B05B 1/08;
B05B 1/02; B05B 1/26; B05B 12/002;
B05B 1/18; B05B 9/01; E02B 11/005;
E03F 1/003; E03F 1/002; E03F 1/005;
E03F 5/101; B65G 5/00
See application file for complete search history.

(56) **References Cited**

U.S. PATENT DOCUMENTS

D795,384 S * 8/2017 Kent D23/206
D795,385 S * 8/2017 Kent D6/695

D810,858 S * 2/2018 Zarraonandia D23/206
D828,902 S * 9/2018 Kent D23/206
10,151,083 B2 * 12/2018 Kent B65G 5/00
10,267,029 B2 * 4/2019 Kent E03F 1/005
D923,138 S * 6/2021 Ligonesche D23/206
D936,781 S * 11/2021 Ondo D23/206

OTHER PUBLICATIONS

PH Recharge (Glass) Countertop Alkaline Water Filter, Jan. 1, 2020, invigoratedwater.com, Feb. 9, 2022, URL: <https://invigoratedwater.com/products/alkaline-water-filtration-system-ph-recharge-glass> (Year: 2020).*

Berkey Stainless Steel Wire Stand with Rubberized Non-skid Feet, Apr. 20, 2015, amazon.ca, Feb. 9, 2022, URL: <https://www.amazon.ca/Berkey-Stainless-Rubberized-Non-skid-Gravity/dp/B00S6RY1FY> (Year: 2015).*

ProOne Big+ Stainless-Steel Gravity Water Filter System, 3-Gallon Water Capacity, Oct. 28, 2020, amazon.ca, Feb. 9, 2022, URL: <https://www.amazon.ca/ProOne-Polished-Stainless-Countertop-Gravity/dp/B08L5L4SK8/> (Year: 2020).*

* cited by examiner

Primary Examiner — Keith J Wilson

(74) *Attorney, Agent, or Firm* — ScienBiziP, P.C.

(57) **CLAIM**

The ornamental design for a base for water purification filter, as shown and described.

DESCRIPTION

FIG. 1 is a perspective view of a base for water purification filter, showing my design.

FIG. 2 is a front elevation view thereof.

FIG. 3 is a rear elevation view thereof.

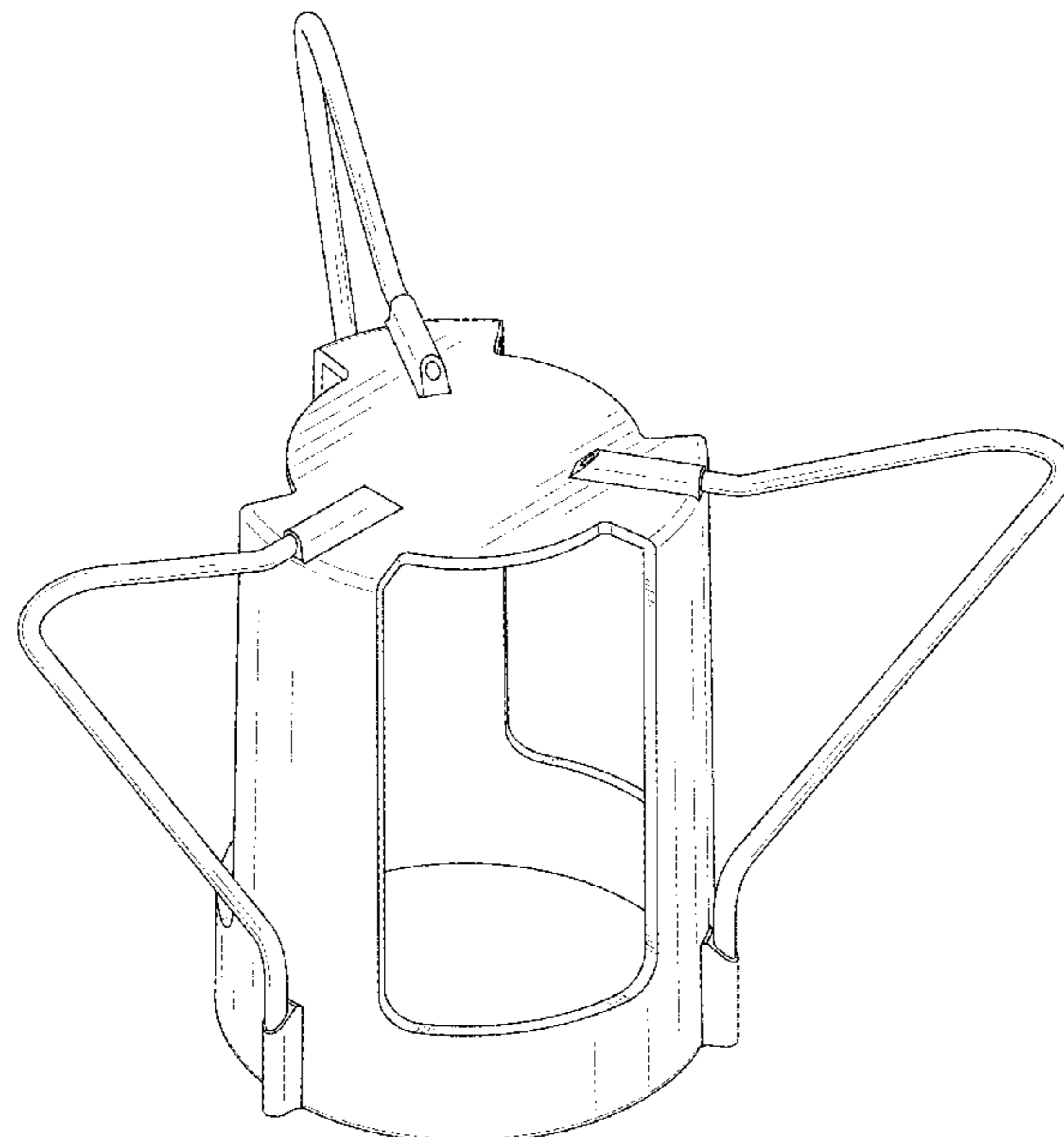
FIG. 4 is a left side elevation view thereof.

FIG. 5 is a right side elevation view thereof.

FIG. 6 is a top plan view thereof; and,

FIG. 7 is a bottom plan view thereof.

1 Claim, 7 Drawing Sheets



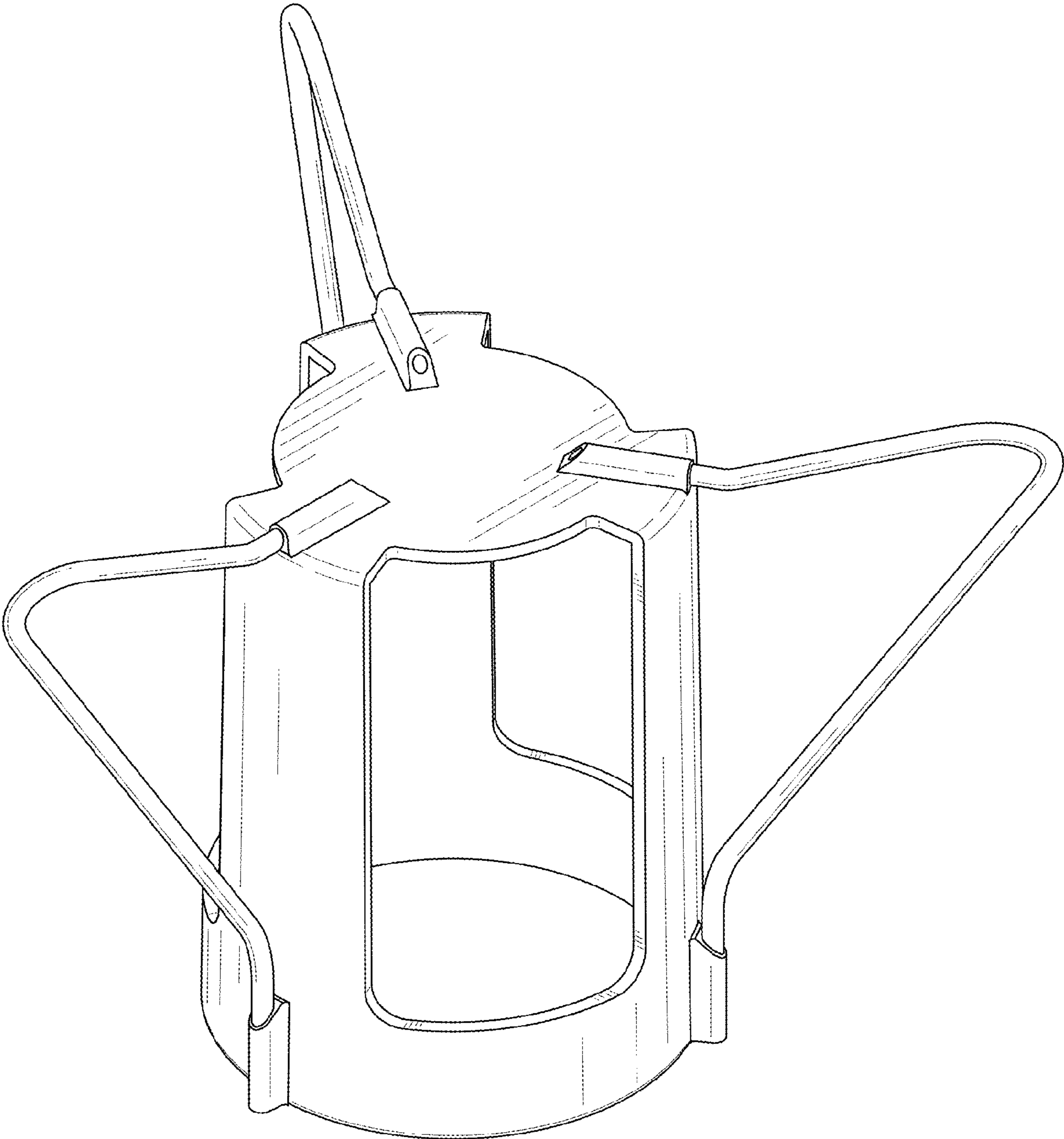


FIG. 1

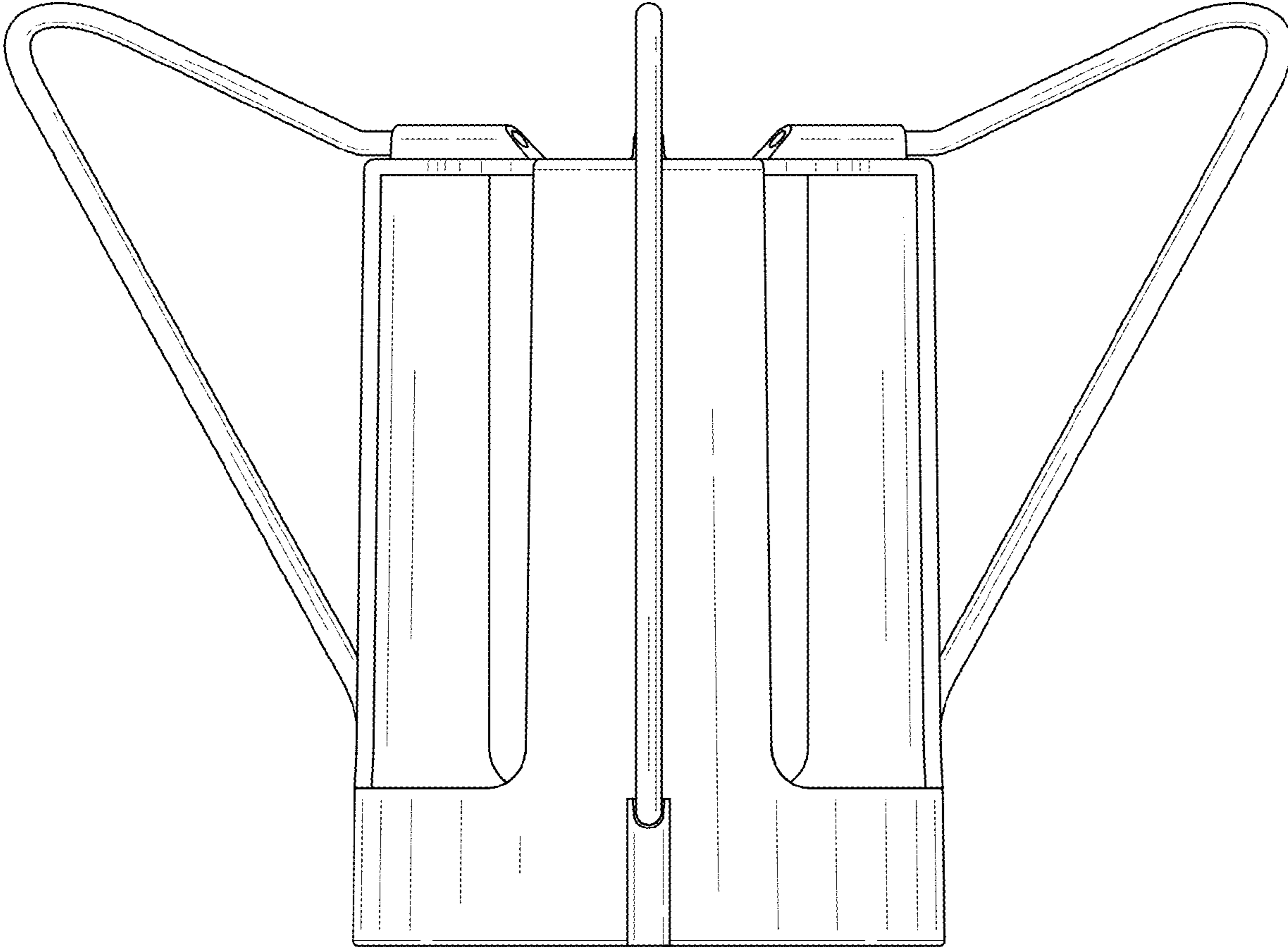


FIG. 2

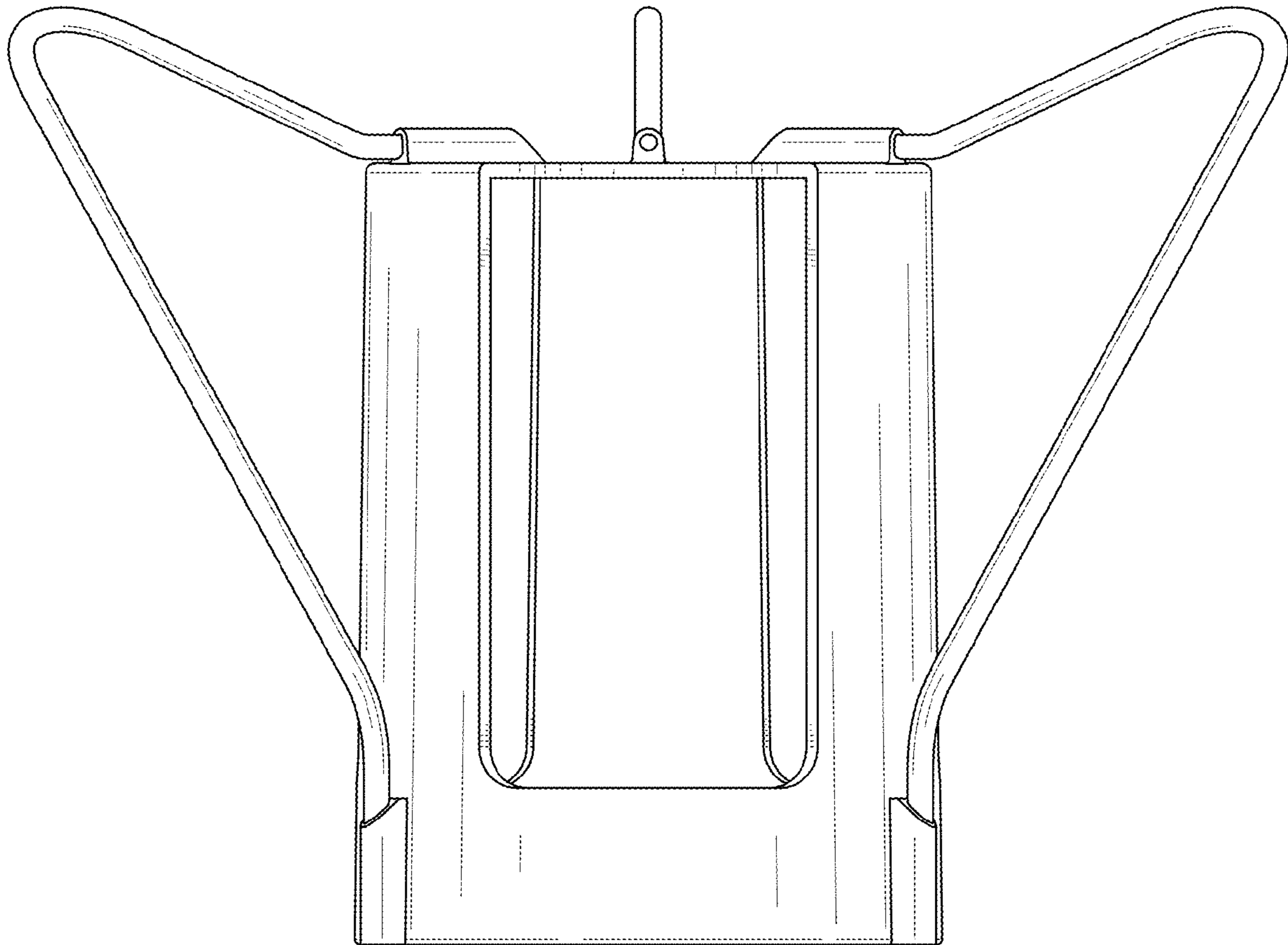


FIG. 3

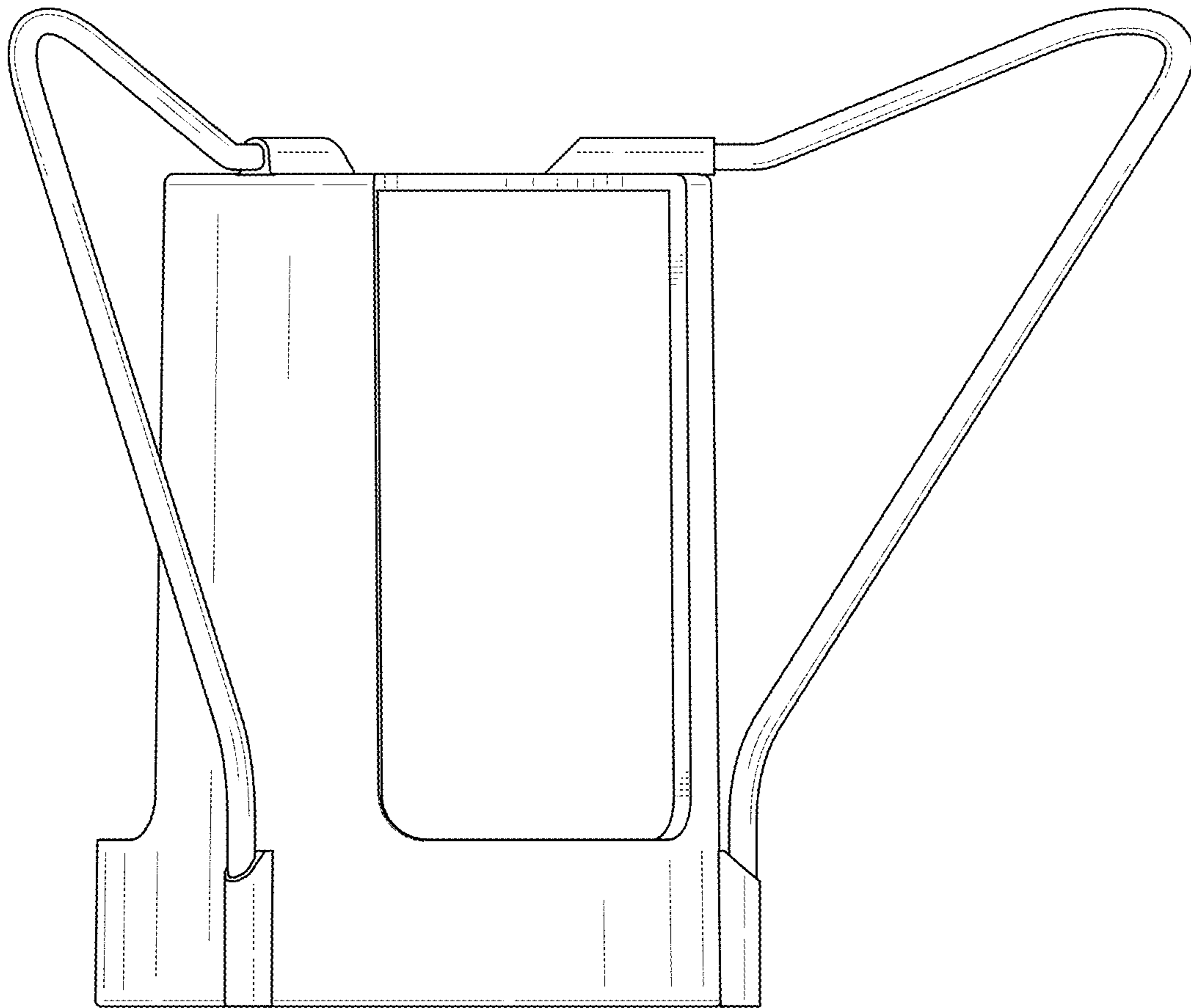


FIG. 4

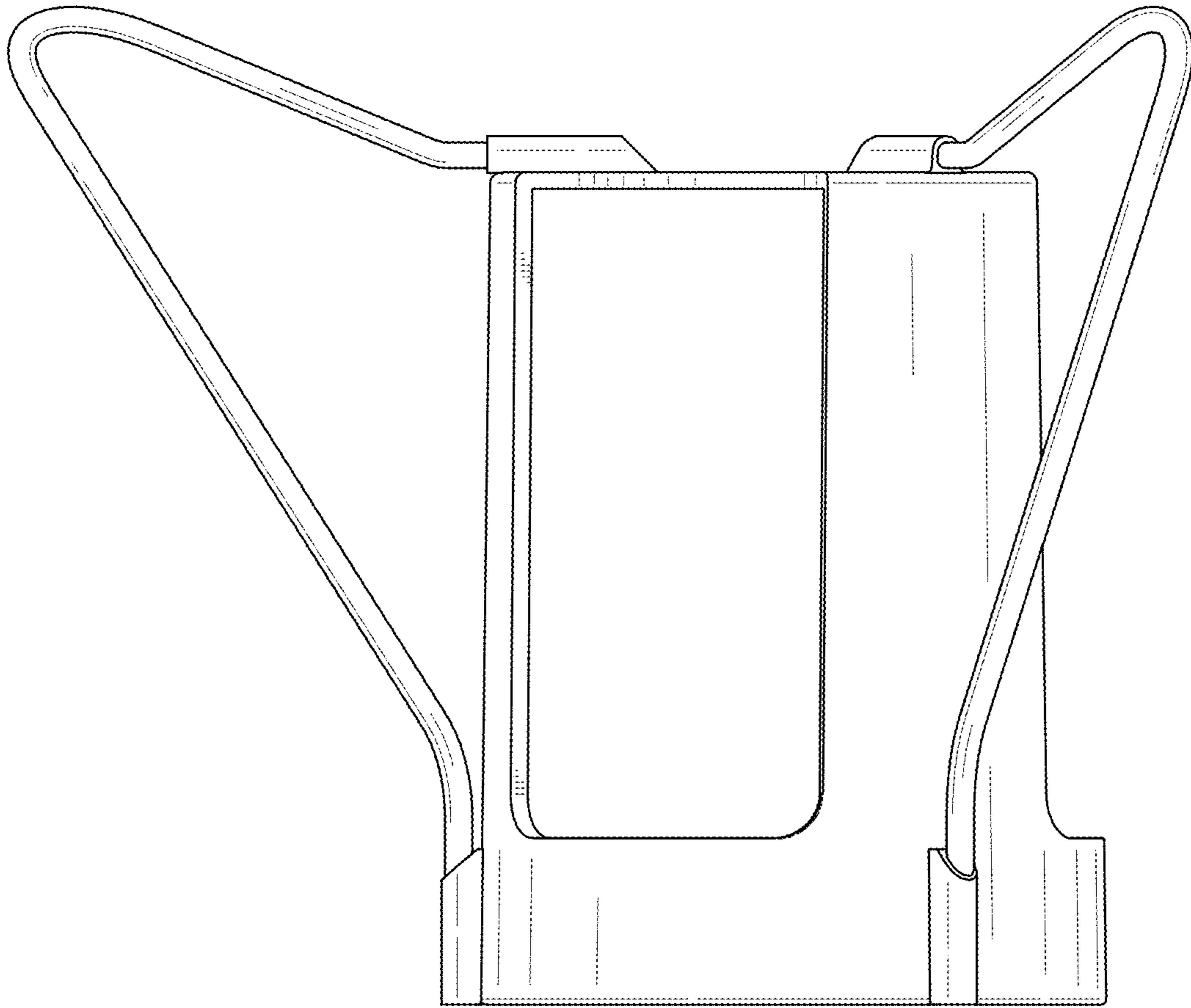


FIG. 5

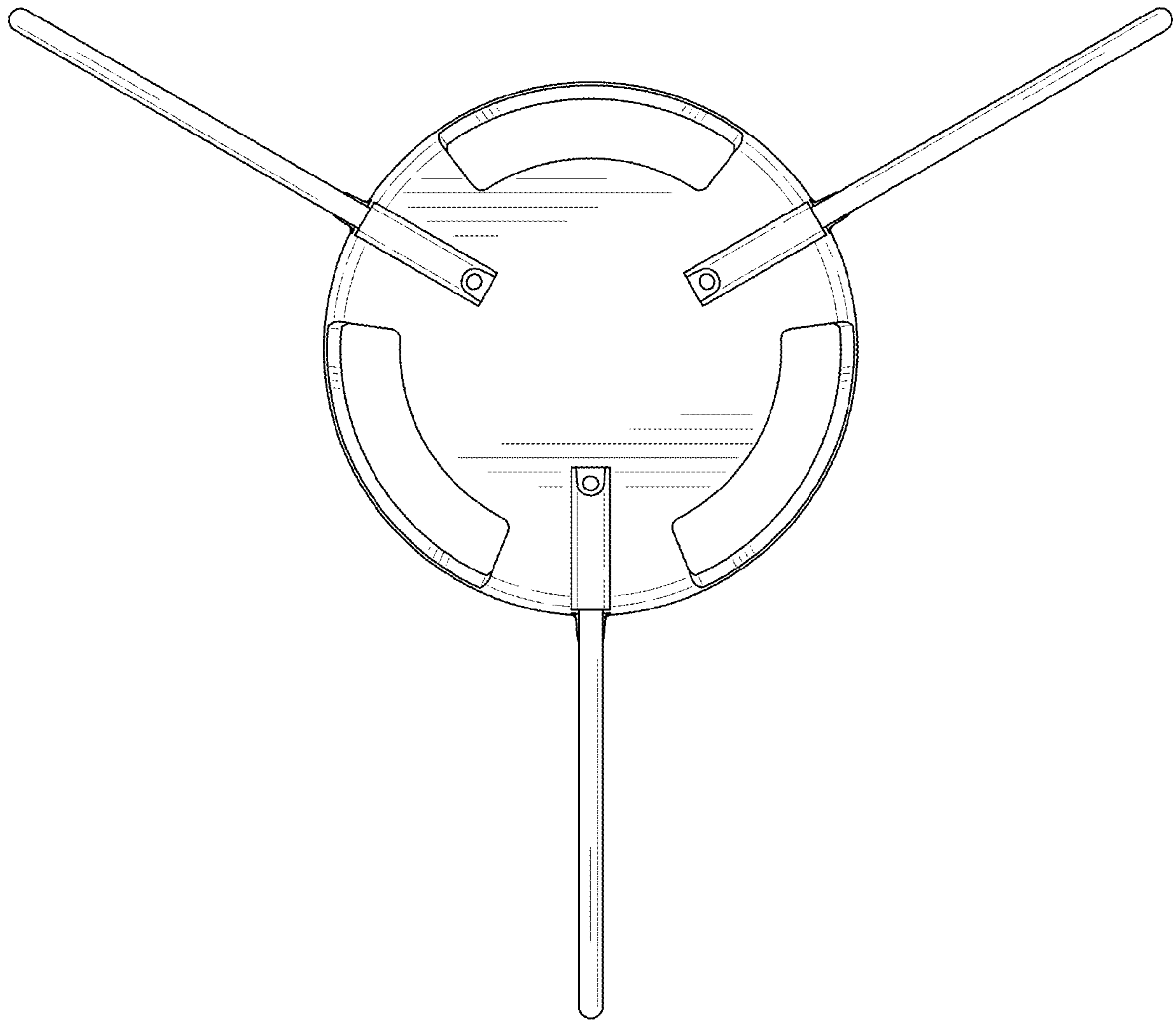


FIG. 6

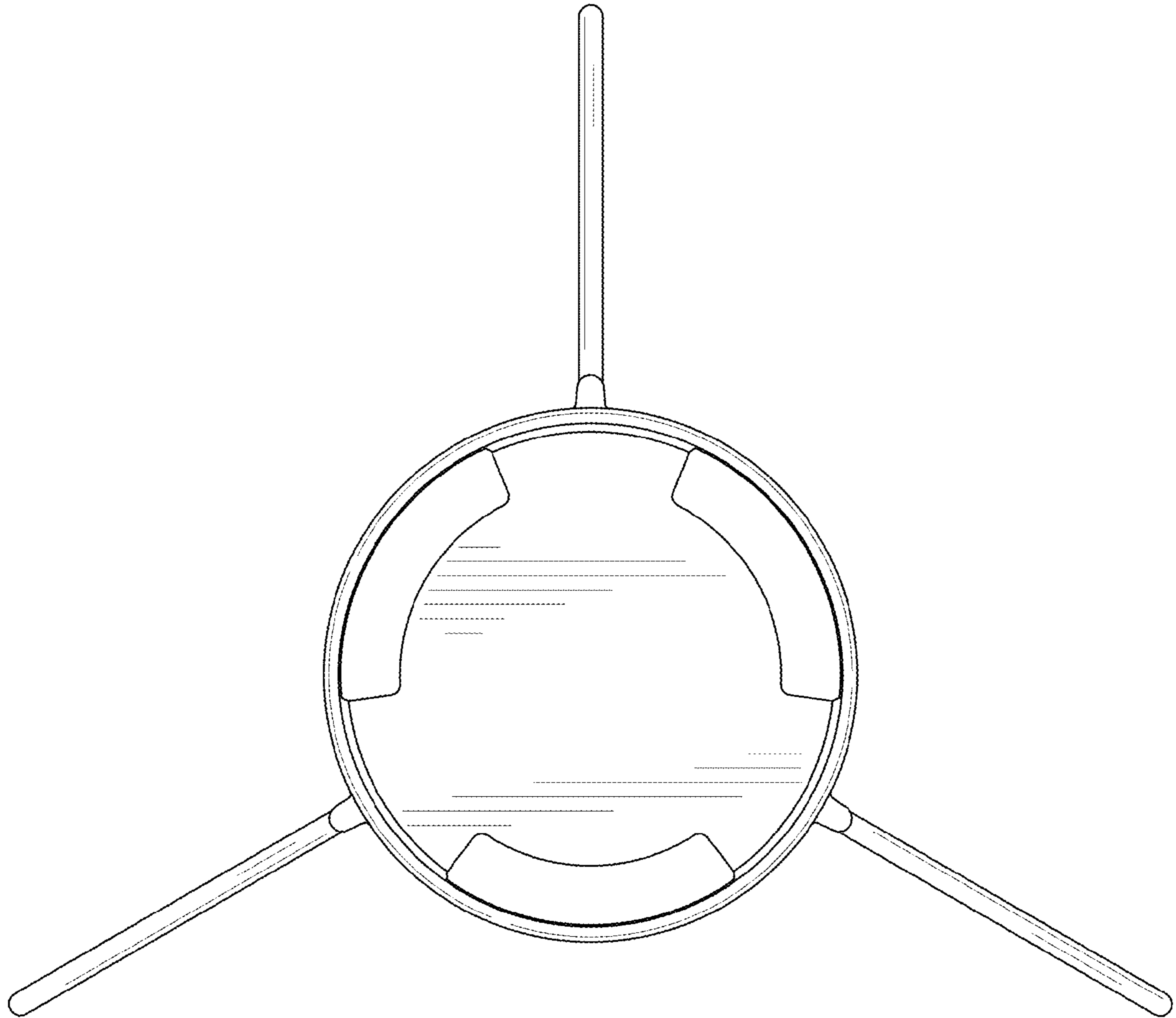


FIG. 7