



US00D949282S

(12) **United States Design Patent**
Winston

(10) **Patent No.:** **US D949,282 S**
(45) **Date of Patent:** **** Apr. 19, 2022**

(54) **INSECT SWATTER**

(71) Applicant: **Harold Winston**, Riverside, CA (US)

(72) Inventor: **Harold Winston**, Riverside, CA (US)

(**) Term: **15 Years**

(21) Appl. No.: **29/734,495**

(22) Filed: **May 13, 2020**

(51) **LOC (13) Cl.** **22-06**

(52) **U.S. Cl.**
USPC **D22/124**

(58) **Field of Classification Search**
USPC D22/123-124; D21/725, 729; D3/1-4
CPC A63B 49/00; A63B 49/01; A01M 3/00
See application file for complete search history.

(56) **References Cited**

U.S. PATENT DOCUMENTS

D8,667 S *	9/1875	Rowland	D3/4
1,317,999 A *	10/1919	Thomas	A01M 3/02
				43/137
2,014,364 A	9/1935	Achor		
2,022,615 A	11/1935	Bennett		
D167,658 S	9/1952	Roop		
3,191,339 A *	6/1965	Dougherty	A01M 3/02
				43/137
3,412,501 A	11/1968	Rosen		
D338,943 S *	8/1993	Agostinelli	D22/122
5,377,446 A	1/1995	DiLeo		
5,630,290 A	5/1997	Wade		
7,430,830 B1	10/2008	Rosa		
D823,982 S *	7/2018	Amash	A01M 3/02
				D22/124

2002/0178649 A1 12/2002 Betzen
2010/0162615 A1 7/2010 Keralla
2013/0291428 A1 11/2013 Wegscheider

OTHER PUBLICATIONS

Swiffer Covers . . . https://www.etsy.com/listing/811297903/swiffer-covers-washable-reusable-use-wet?ref=hp_rv-4—(Year: 2020).*
<https://www.shutterstock.com/search/banner+mock+up+on+wood+stick+collection.+Protest+placards%2C+public+transparency+with+wooden+holders.+Politic+strike+boards+realistic+vector+holding+public+broadsheet+template> 2003-2021.*
2 Vintage Fly Swatters Leather & Metal Mesh Screen Advertising Wooden Handles . . . <https://www.ebay.com/itm/403075204691?chn=ps&mkevt=1&mkcid=28> Date Unknown.*

* cited by examiner

Primary Examiner — Catherine R Oliver-Garcia

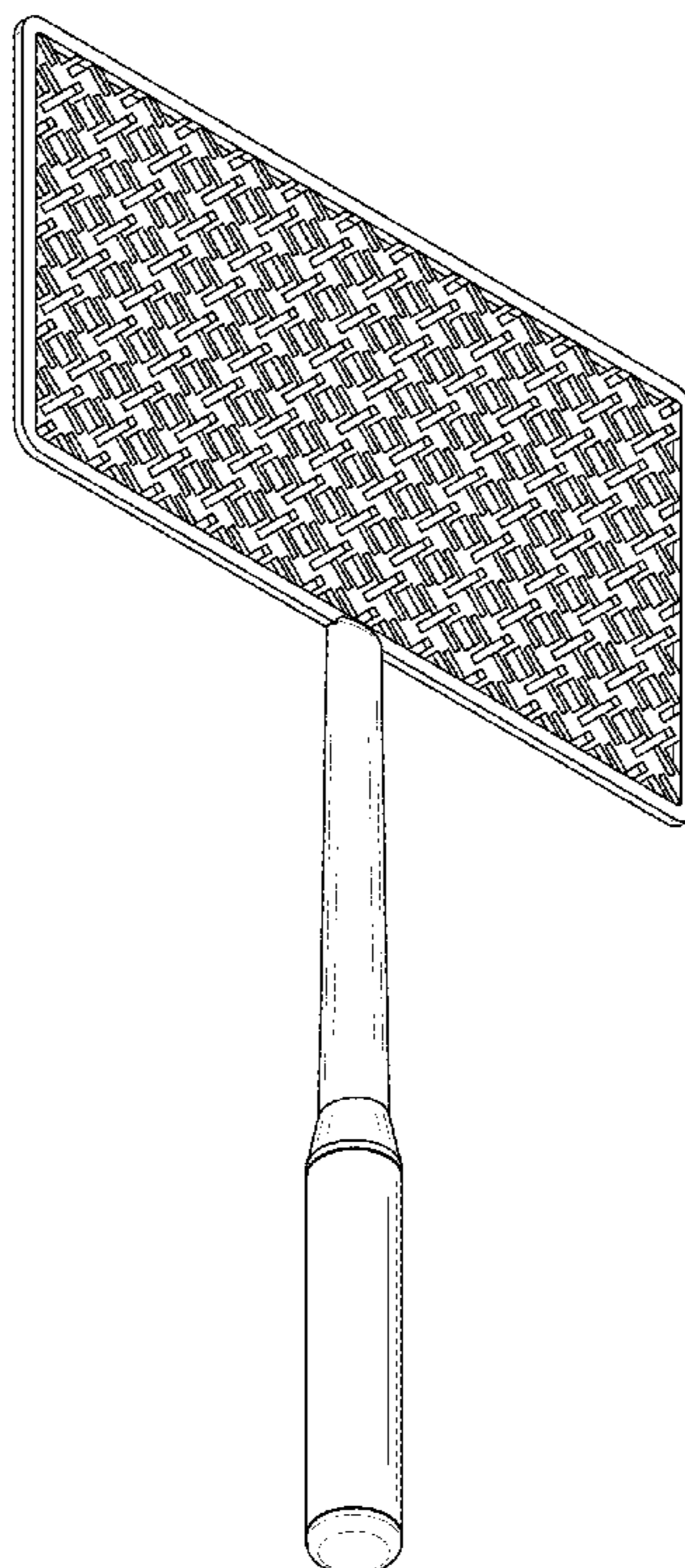
(57) **CLAIM**

The ornamental design for an insect swatter, as shown and described.

DESCRIPTION

FIG. 1 is a front view of an insect swatter showing my new design;
FIG. 2 is a rear view of the insect swatter;
FIG. 3 is a right side view of the insect swatter;
FIG. 4 is a left side view of the insect swatter;
FIG. 5 is a top view of the insect swatter;
FIG. 6 is a bottom view of the insect swatter; and,
FIG. 7 is a bottom front and side perspective view of the insect swatter.

1 Claim, 5 Drawing Sheets



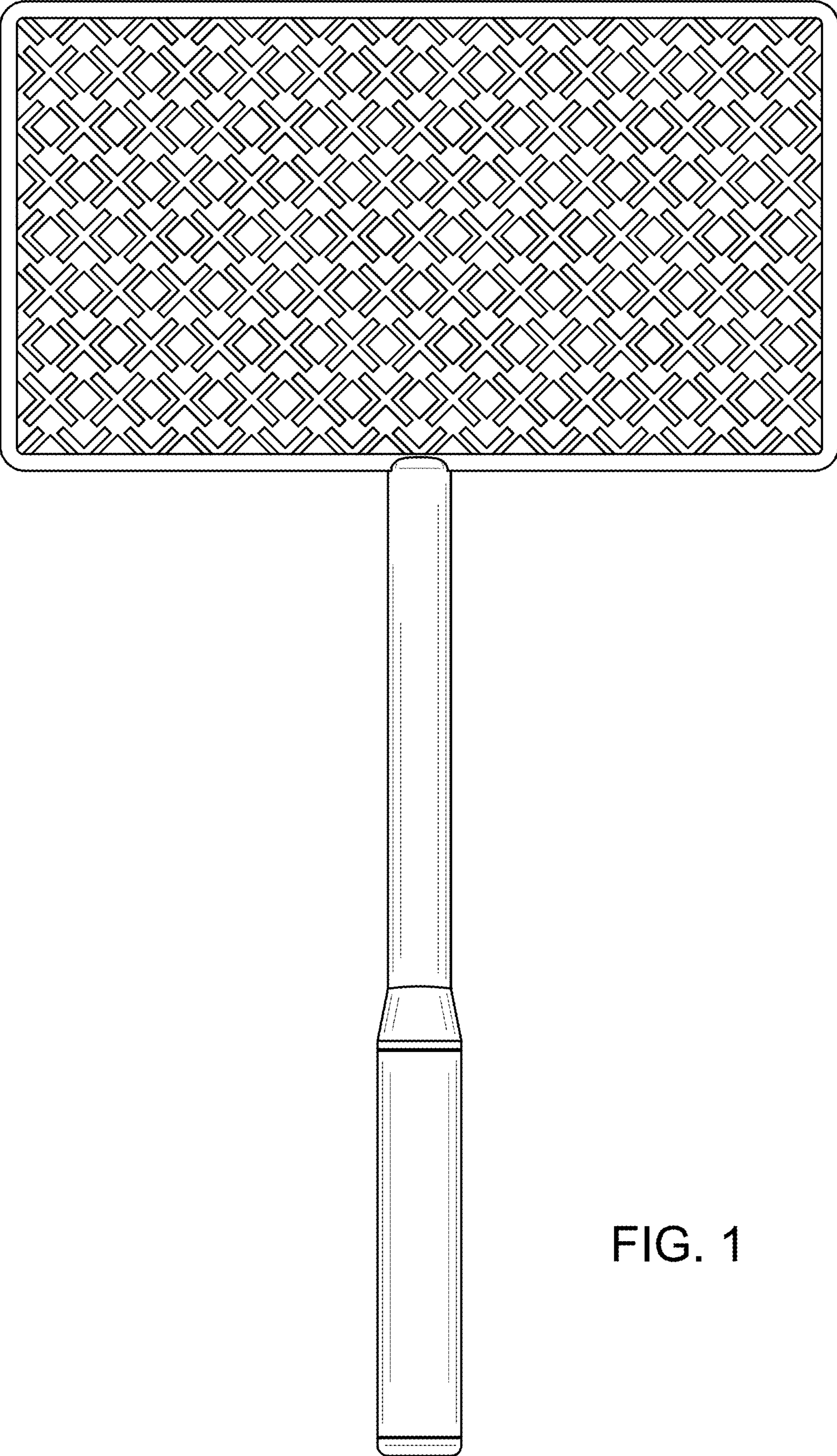


FIG. 1

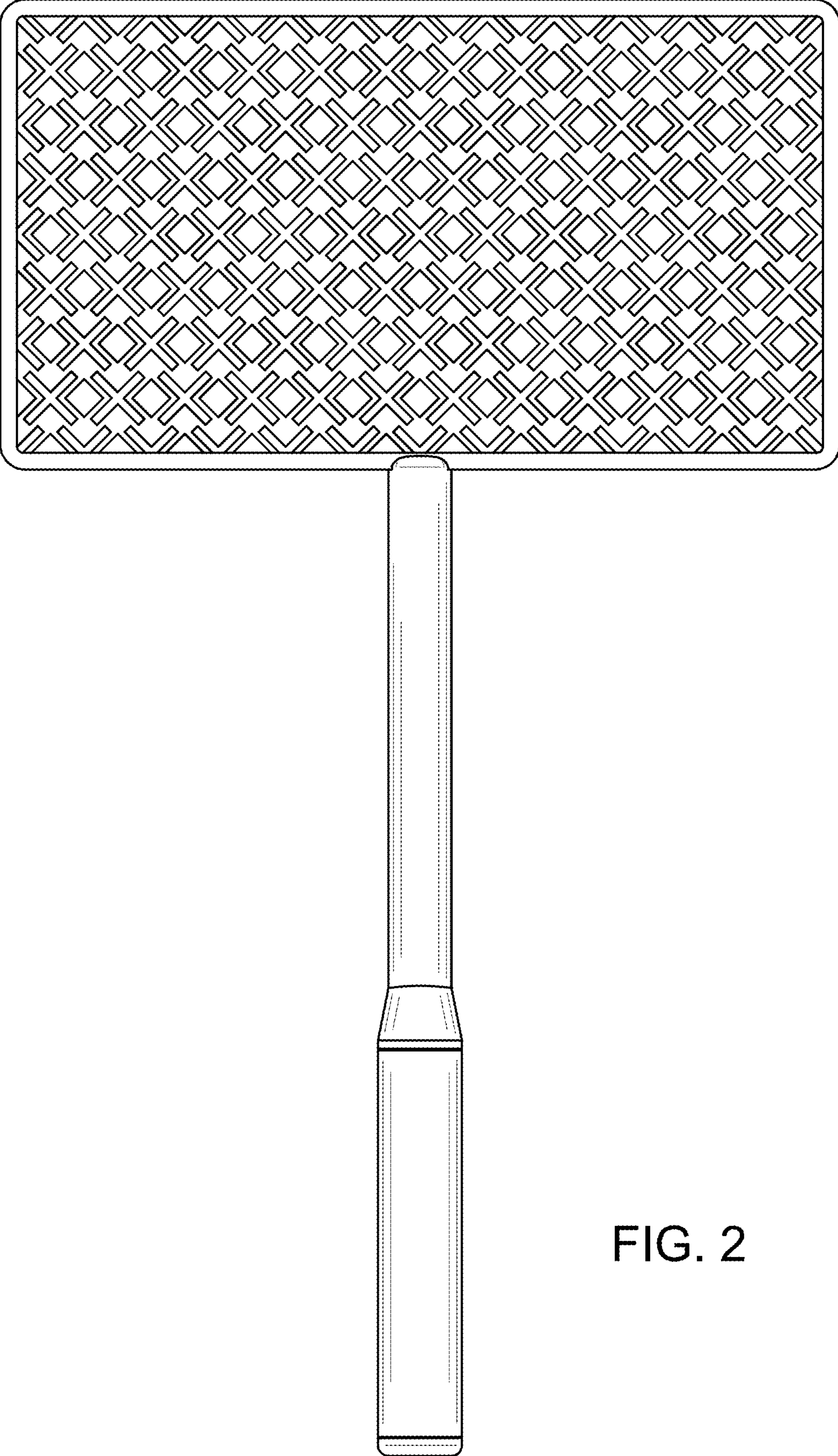


FIG. 2

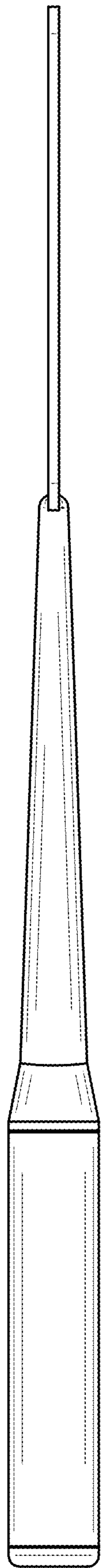


FIG. 3

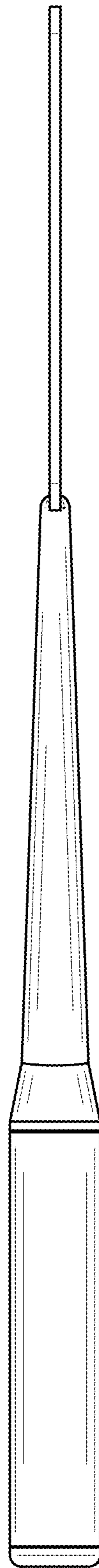


FIG. 4

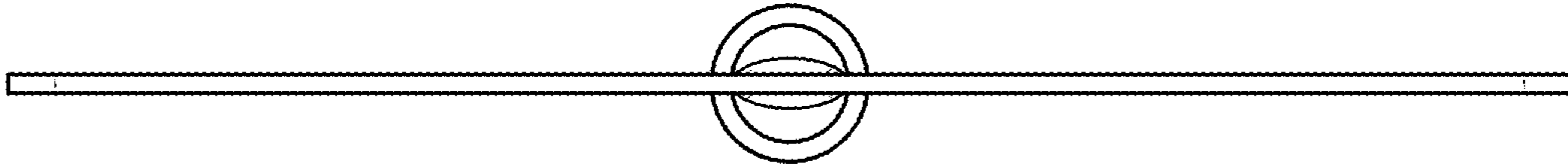


FIG. 5

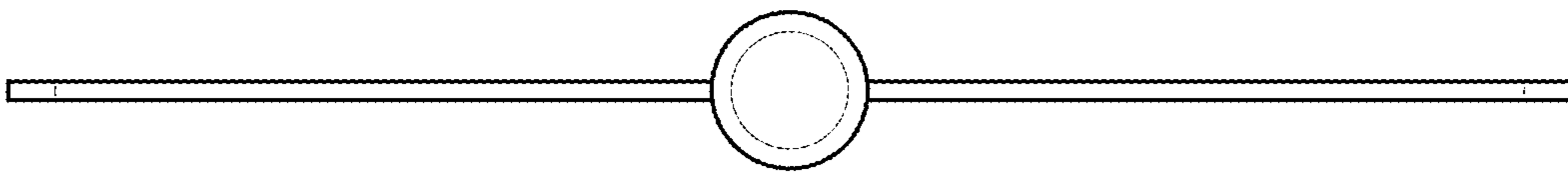


FIG. 6

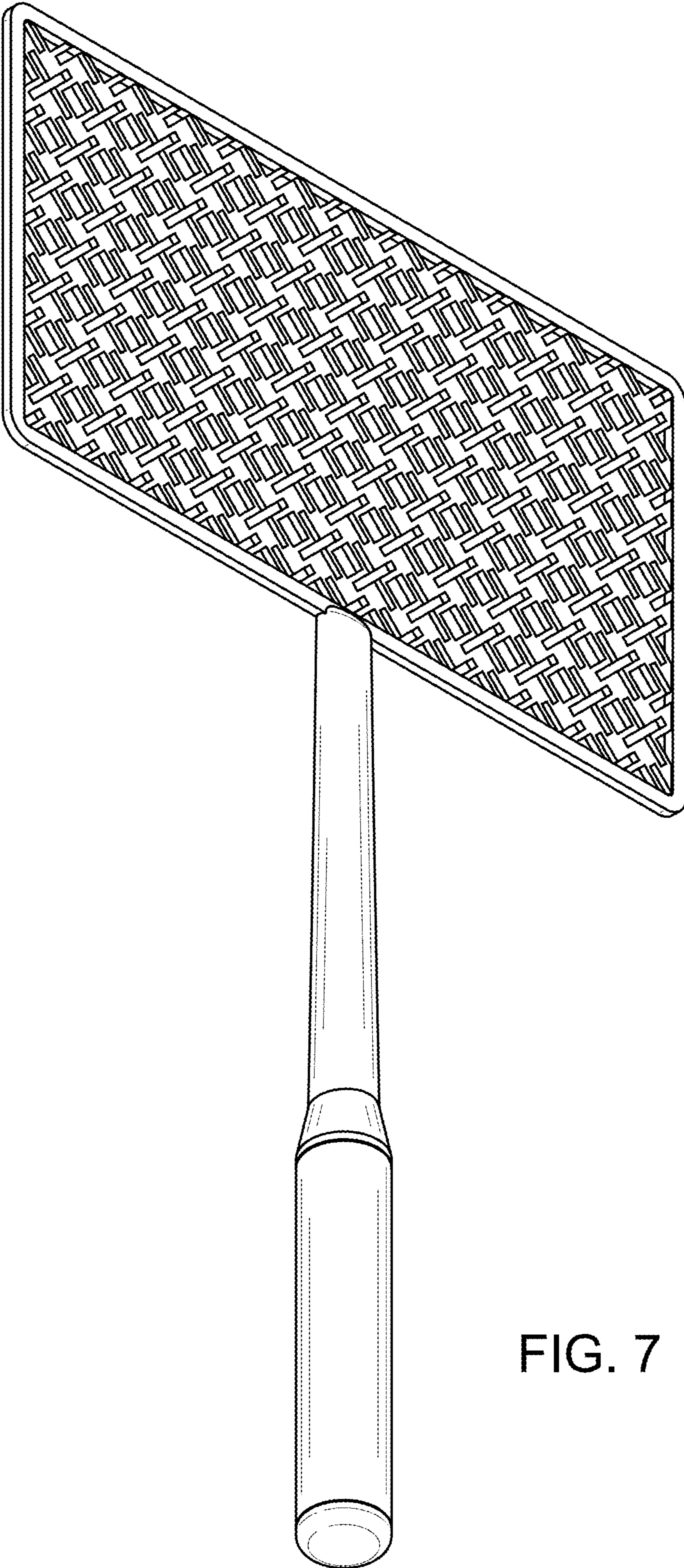


FIG. 7