



US00D949281S

(12) **United States Design Patent** (10) **Patent No.:** **US D949,281 S**
Peng (45) **Date of Patent:** **** Apr. 19, 2022**

(54) **MOSQUITO KILLING LAMP**

FOREIGN PATENT DOCUMENTS

(71) Applicant: **Shenzhen Datang Technology Co., Ltd.**, Shenzhen (CN)

CN 304953091 S 12/2018
CN 306589005 S 6/2021
CN 306639355 S 6/2021
EM 000371380-0001 A1 8/2005

(72) Inventor: **Jing Peng**, Shenzhen (CN)

(Continued)

(73) Assignee: **SHENZHEN DATANG TECHNOLOGY CO., LTD.**, Shenzhen (CN)

OTHER PUBLICATIONS

(**) Term: **15 Years**

https://www.amazon.com/Mosiller-Electric-Effective-Waterproof-Attractant/dp/B09Q8G4XNJ/ref=sr_1_2?crd=2E8XO8ZL5WZZ5&keywords=mosiller+bug+zapper+20W+electric+mosquito+zapper&qid=1645756441&sprefix=mosiller+bug+zapper+20w+electric+mosquito+zapper%2Caps%2C47&sr=8-2 (No Reviews, no date listed).*

(21) Appl. No.: **29/794,528**

(Continued)

(22) Filed: **Jun. 14, 2021**

Primary Examiner — Catherine R Oliver-Garcia

(51) **LOC (13) Cl.** **22-06**

(74) *Attorney, Agent, or Firm* — Hemisphere Law, PLLC; Zhigang Ma

(52) **U.S. Cl.**

USPC **D22/123**

(58) **Field of Classification Search**

USPC D22/123, 122; D26/37-38, 41

CPC A01M 1/02; A01M 1/04; A01M 1/08;

A01M 1/22; A01M 1/026; A01M 1/223;

A01M 2200/012

See application file for complete search history.

(57) **CLAIM**

The ornamental design for a mosquito killing lamp, as shown and described.

DESCRIPTION

FIG. 1 is a front perspective view of a mosquito killing lamp showing my new design;

FIG. 2 is a bottom perspective view seen from a bottom side thereof;

FIG. 3 is a front view thereof;

FIG. 4 is a rear view thereof;

FIG. 5 is a left side view thereof;

FIG. 6 is a right side view thereof;

FIG. 7 is a top view thereof; and,

FIG. 8 is a bottom view thereof.

The broken lines immediately adjacent to claim as shown in the drawings represent the boundaries of the claimed design and form no part thereof. The broken line showing of portions of the mosquito killing lamp are included for the purpose of illustrating only and form no part of the claimed design.

(56) **References Cited**

U.S. PATENT DOCUMENTS

6,568,124 B1 * 5/2003 Wilbanks A01M 1/06
43/112

D898,864 S * 10/2020 Qiu D22/123

D900,957 S 11/2020 Du

D906,474 S * 12/2020 Feng D22/123

D916,228 S 4/2021 Luo

D917,655 S * 4/2021 Luo D22/123

D918,332 S 5/2021 Luo

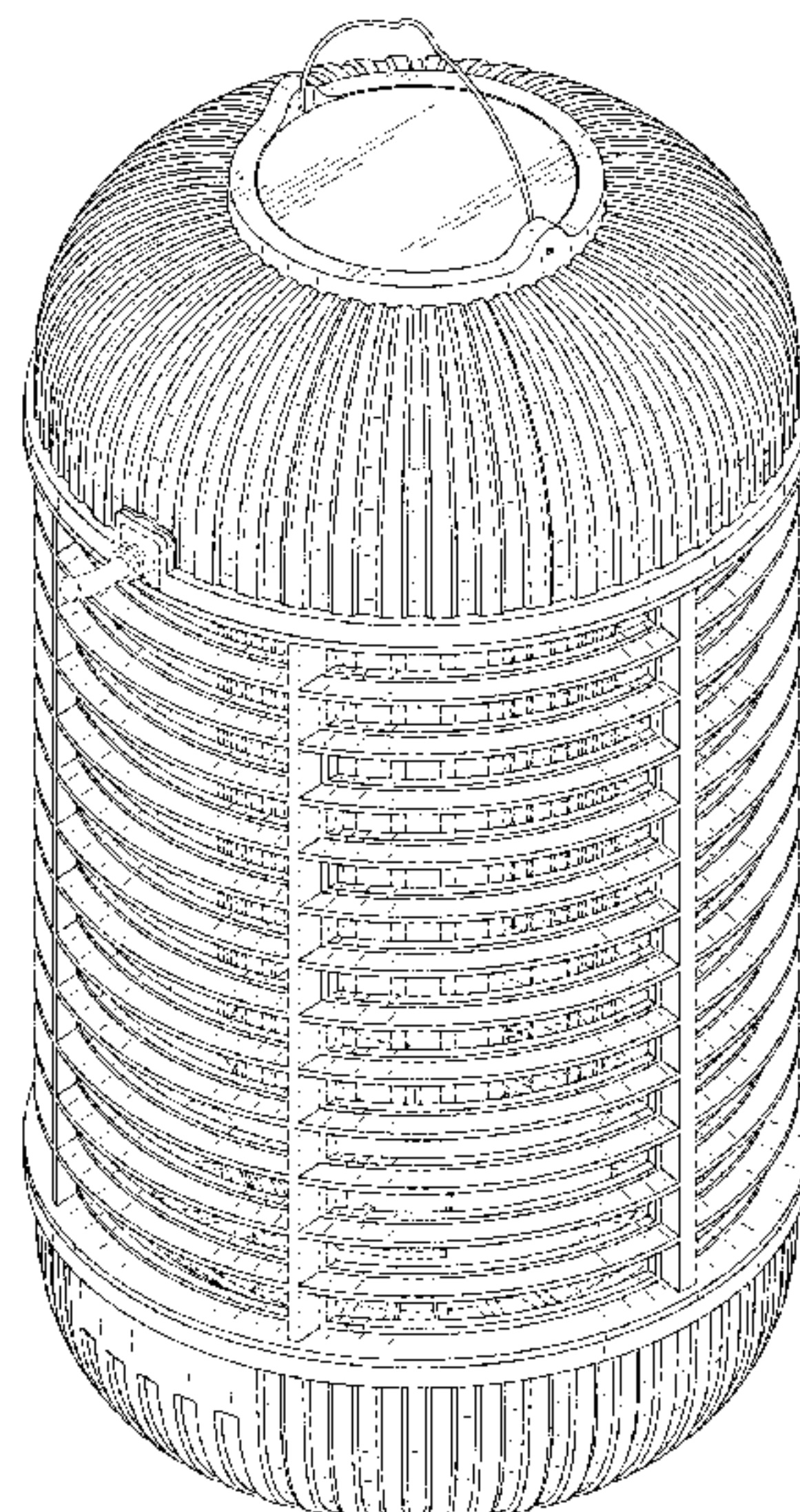
D919,039 S * 5/2021 Luo D22/123

D932,584 S * 10/2021 He D22/123

2006/0021274 A1 * 2/2006 Chen A01M 1/023
43/107

2021/0120802 A1 * 4/2021 He A01M 1/04

1 Claim, 8 Drawing Sheets



(56)

References Cited

FOREIGN PATENT DOCUMENTS

EM	005244597-0001	A1	4/2018
EM	008058051-0002	A1	8/2020
EM	008039713-0001	A1	11/2021
JP	D1612246	S	8/2018
KR	300389564		8/2005

OTHER PUBLICATIONS

https://www.amazon.com/Bug-Zapper-Attractant-Waterproof-Electronic/dp/B09RCG31HB/ref=sr_1_166?crd=3969AF2V7MKVP&keywords=mosquito+killer&qid=1645756529&srefix=mosquito+killer%2Caps%2C66&sr=8-166 (Year: 2022).*

* cited by examiner

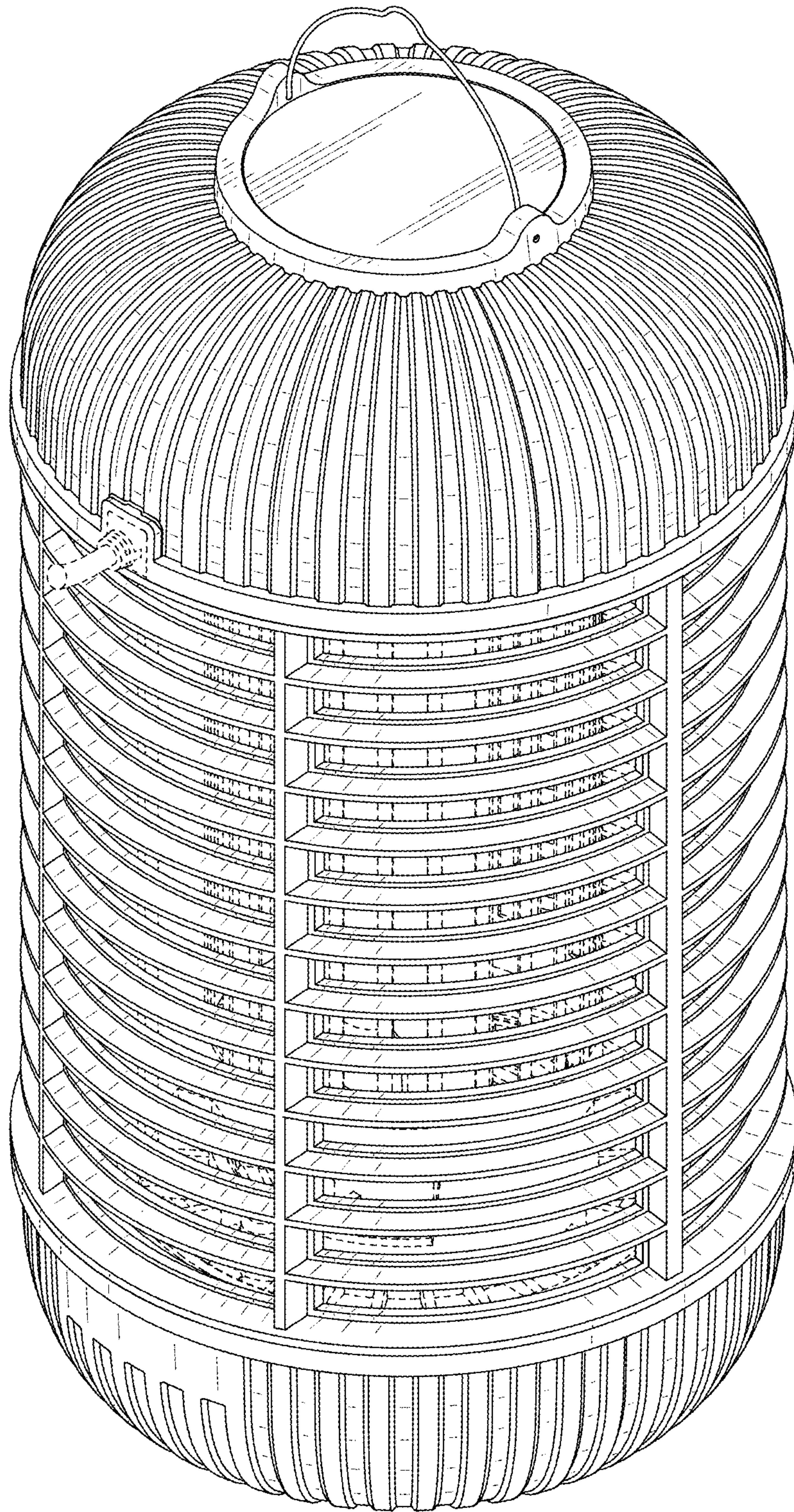


FIG. 1

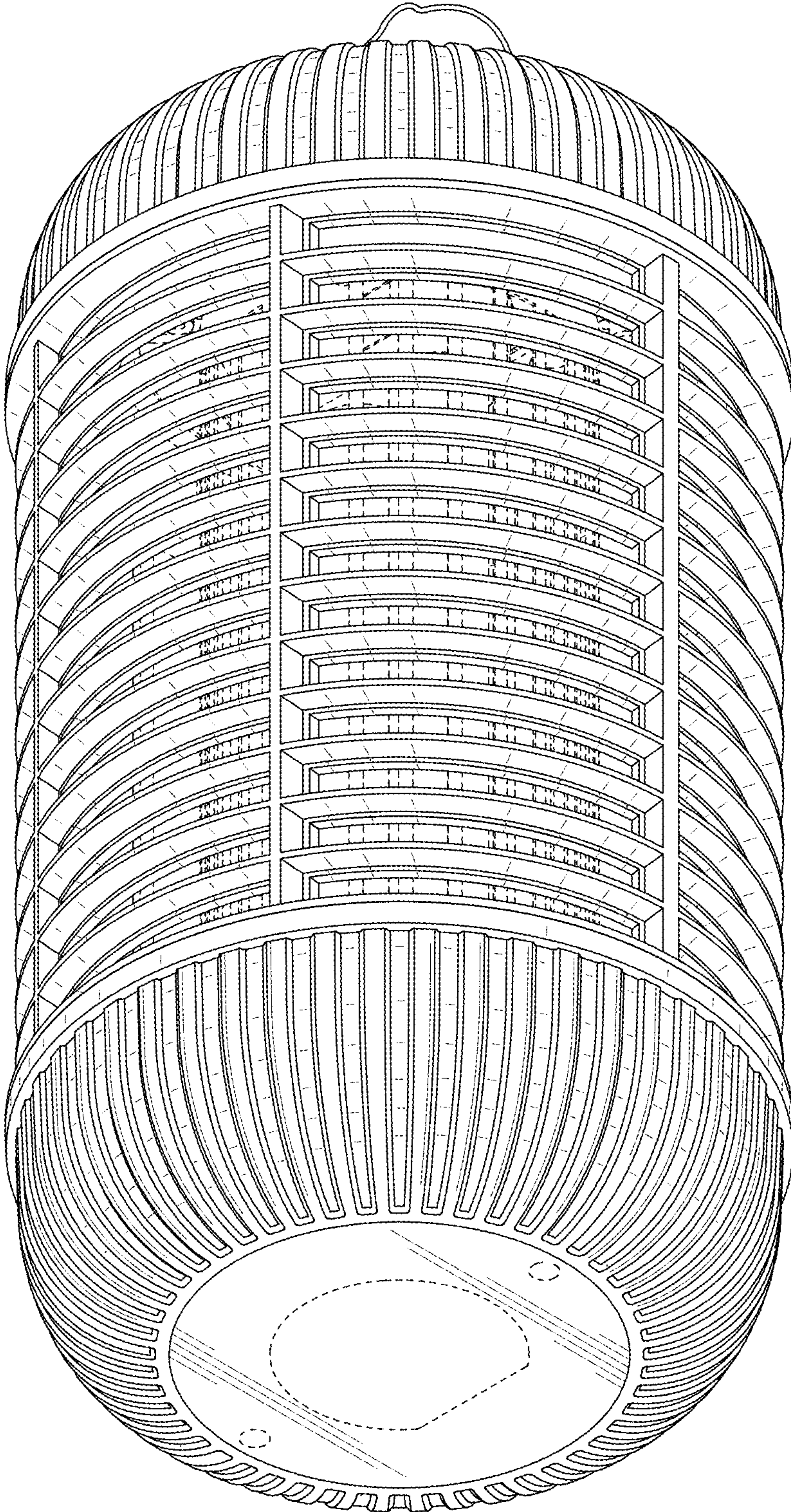


FIG. 2

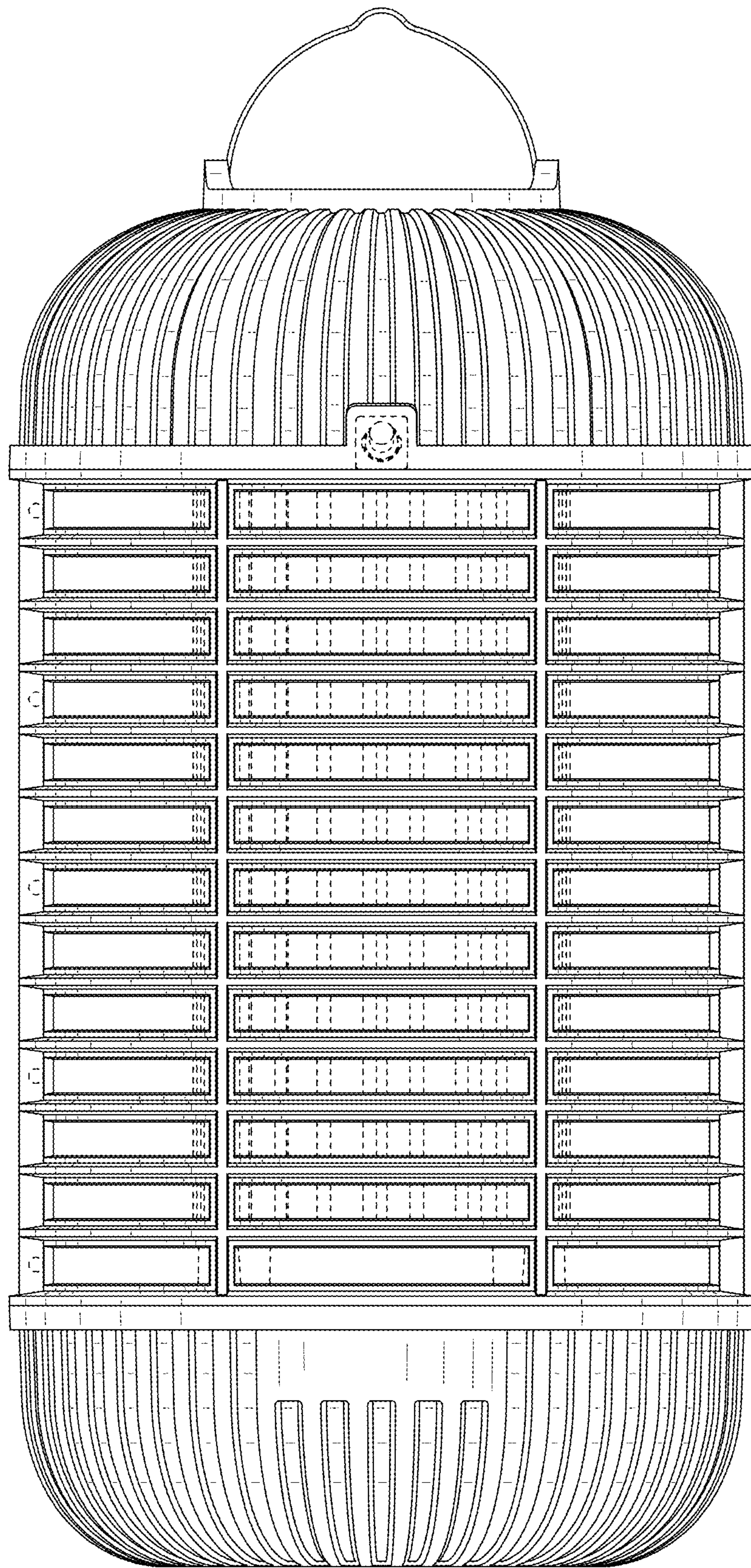


FIG. 3

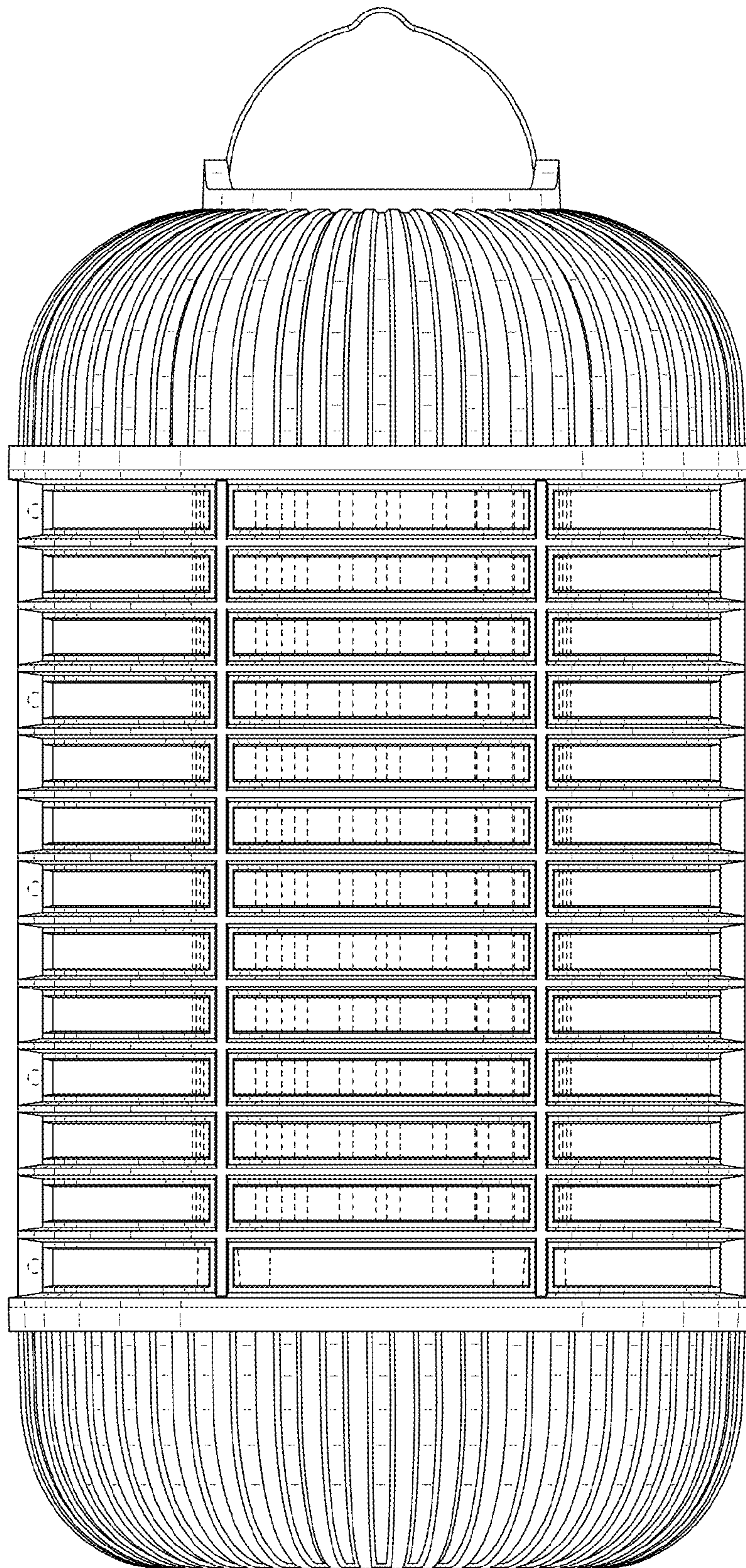


FIG. 4

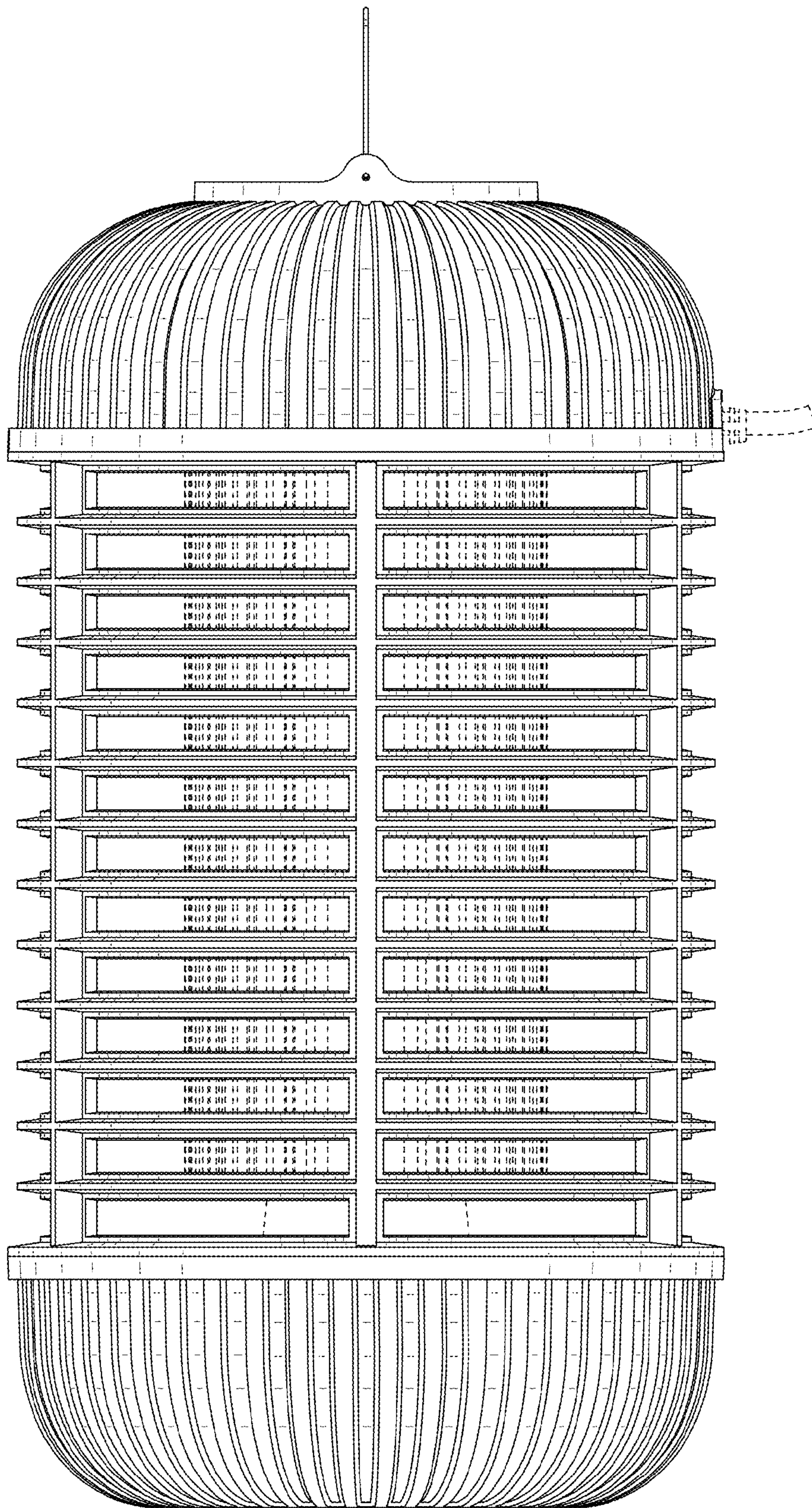


FIG. 5

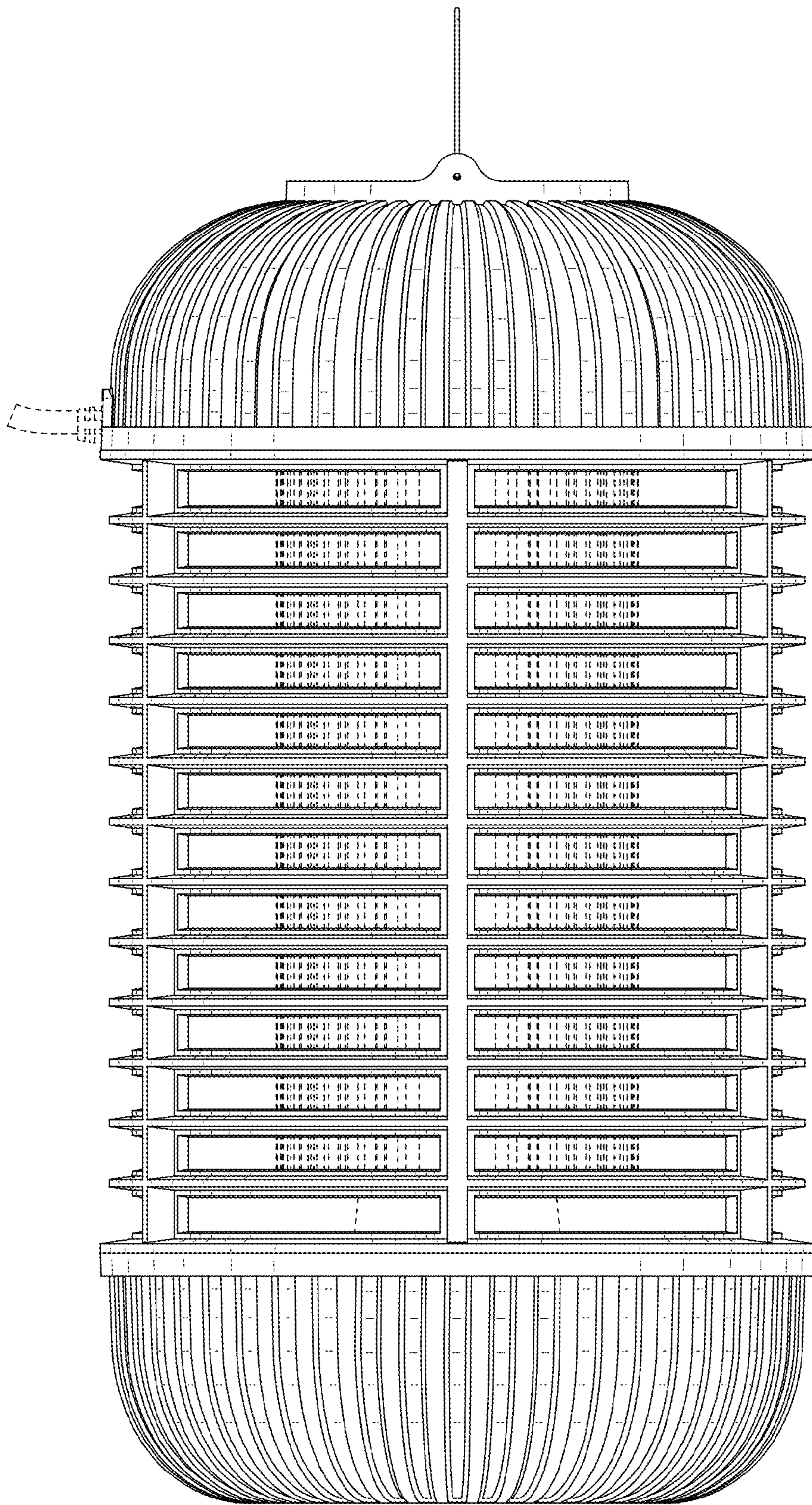


FIG. 6

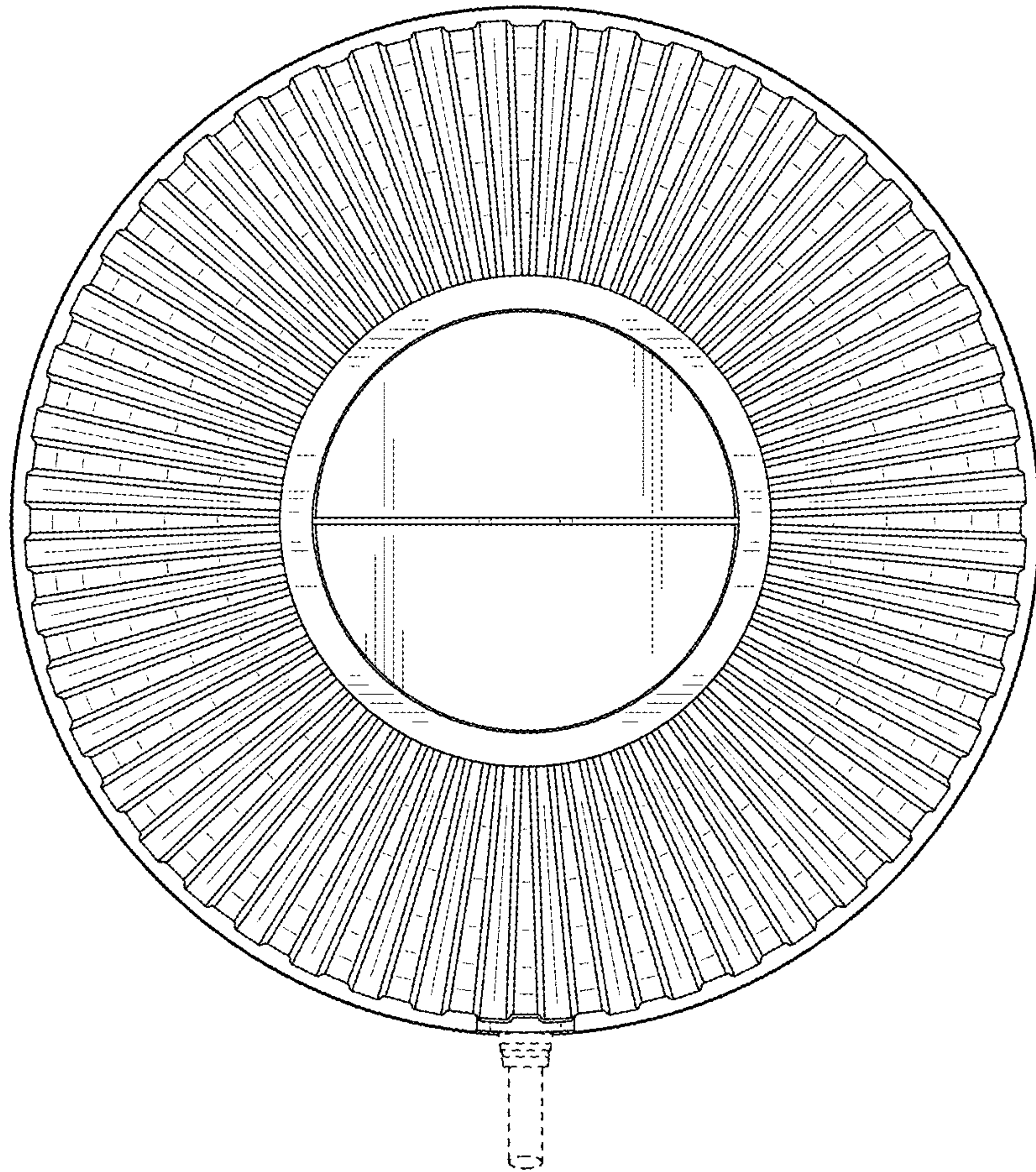


FIG. 7

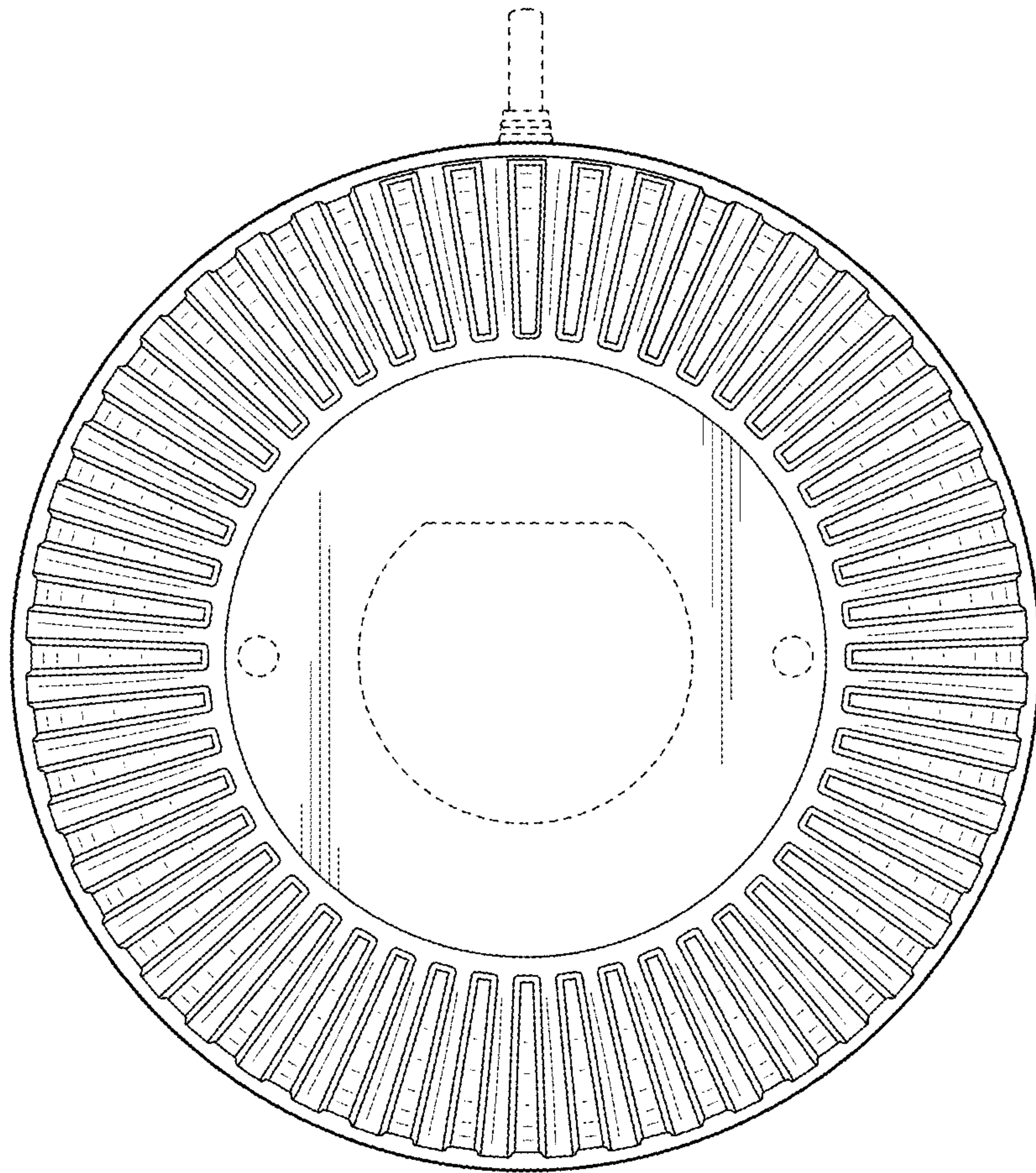


FIG. 8