



US00D949280S

(12) **United States Design Patent**
Zheng

(10) **Patent No.:** **US D949,280 S**
(45) **Date of Patent:** **** Apr. 19, 2022**

(54) **ELECTRIC MOSQUITO SWATTER**

(71) Applicant: **SHENZHEN JUYUAN TECHNOLOGY CO., LTD.**,
Guangdong (CN)

(72) Inventor: **Zicheng Zheng**, Guangdong (CN)

(73) Assignee: **SHENZHEN JUYUAN TECHNOLOGY CO., LTD.**,
Guangdong (CN)

(**) Term: **15 Years**

(21) Appl. No.: **29/787,551**

(22) Filed: **Jun. 7, 2021**

(51) **LOC (13) Cl.** **22-06**

(52) **U.S. Cl.**
USPC **D22/123; D22/124**

(58) **Field of Classification Search**
USPC D22/122, 123, 124; D21/305, 725, 729,
D21/799.1

CPC A01M 29/00; A01M 29/34; A01M 3/025;
A01M 1/223; A01M 3/02; A01M 1/22
See application file for complete search history.

(56) **References Cited**

U.S. PATENT DOCUMENTS

D722,673 S *	2/2015	Dayan	D22/123
D807,984 S	1/2018	Borovicka		
D918,333 S	5/2021	Qiu		
D925,692 S *	7/2021	Huang	D22/124
D938,545 S *	12/2021	Pang	D22/124
2018/0343848 A1 *	12/2018	De Nora	A01M 1/223
2021/0274768 A1 *	9/2021	Jin	A01M 1/04

FOREIGN PATENT DOCUMENTS

DE 1518457 * 3/2005 A01M 3/02

OTHER PUBLICATIONS

Electric Fly Swatter . . . https://www.amazon.com/Electric-Rechargeable-Powerful-Mosquitoes-Protection/dp/B08Y5PK3ZX/refsr_1_259?crd=25KX5DISWUOR3&keywords=mosquito+killing+lamp&qid=1645662932&sprex=mosquito+killing+la%2Caps%2C59&sr=8-259 (Year: 2021).*

* cited by examiner

Primary Examiner — Catherine R Oliver-Garcia
(74) *Attorney, Agent, or Firm* — ScienBiziP, P.C.

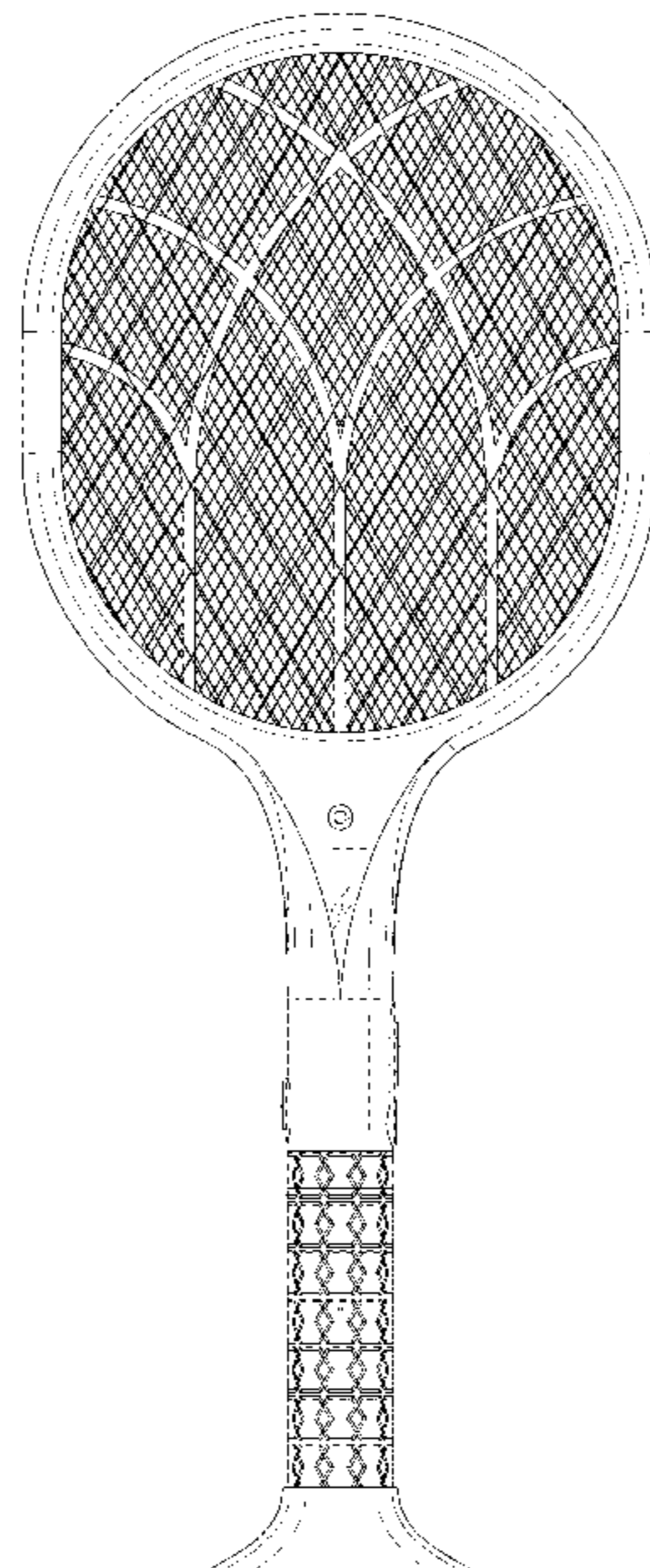
(57) **CLAIM**

The ornamental design for an electric mosquito swatter, as shown and described.

DESCRIPTION

FIG. 1 is a front, right, and top perspective view of an electric mosquito swatter, showing my design.
FIG. 2 is a rear, left, and bottom perspective view thereof.
FIG. 3 is a front elevation view thereof.
FIG. 4 is a rear elevation view thereof.
FIG. 5 is a left side elevation view thereof.
FIG. 6 is a right side elevation view thereof.
FIG. 7 is a top plan view thereof.
FIG. 8 is a bottom plan view thereof.
FIG. 9 is a partial enlarged view of an area labeled 9 in FIG. 1 comprising a part of a net and a part of a retainer ring; and, FIG. 10 is a partial enlarged view of an area labeled 10 in FIG. 1 comprising buttons and a part of a rod.
The broken lines shown in the drawings are included for the purpose of illustrating portions of the electric mosquito swatter that form no part of the claimed design.

1 Claim, 10 Drawing Sheets



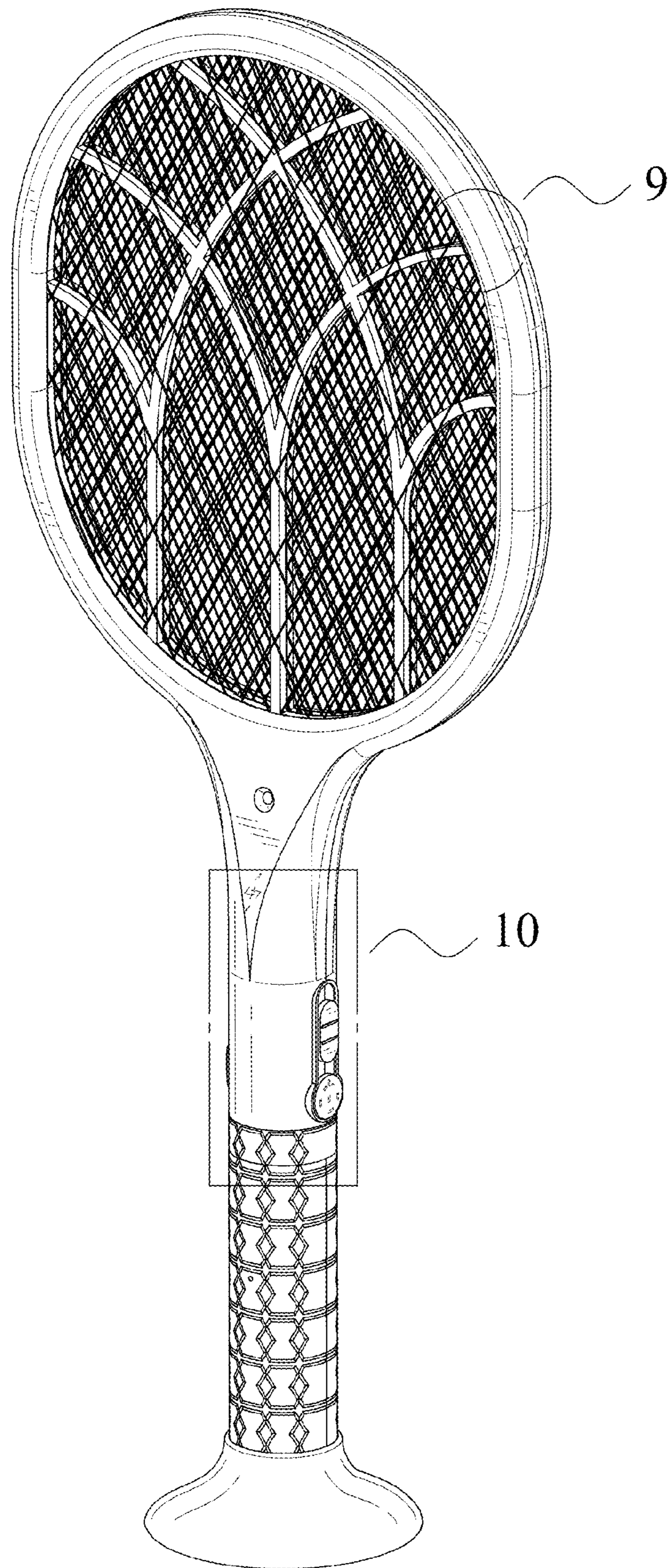


FIG. 1

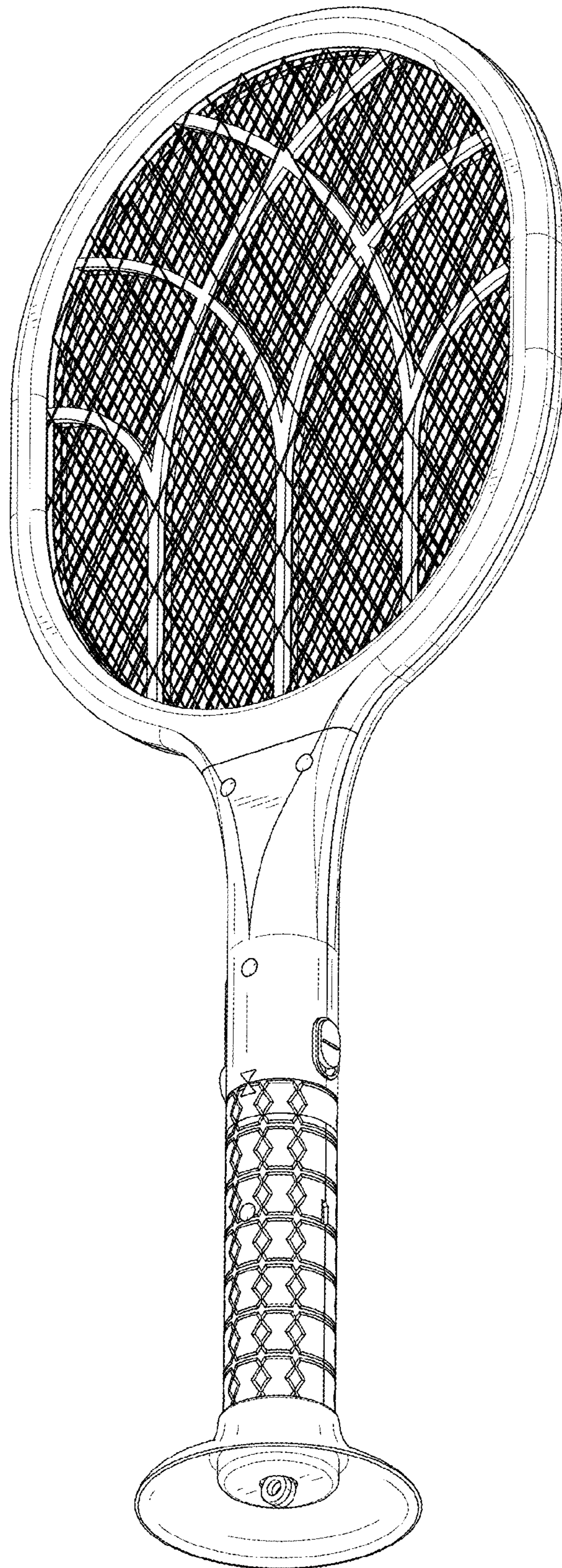


FIG. 2

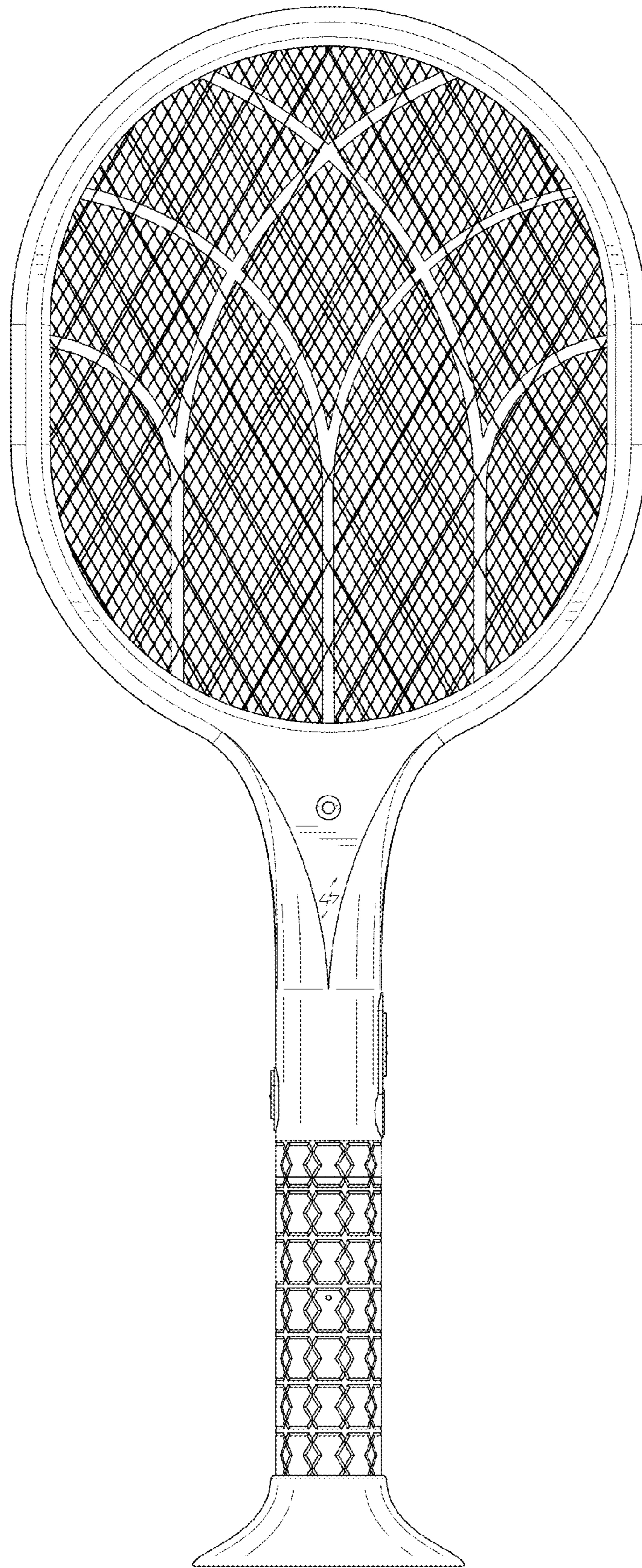


FIG. 3

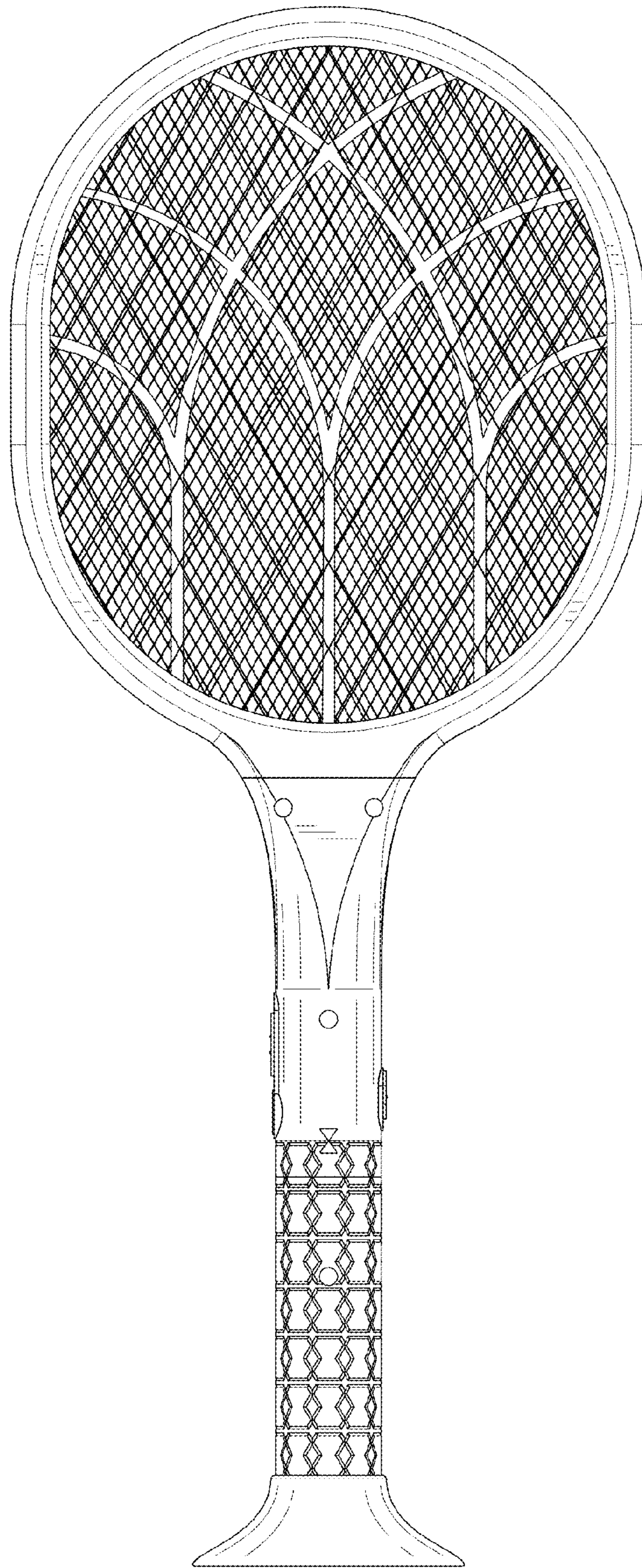


FIG. 4

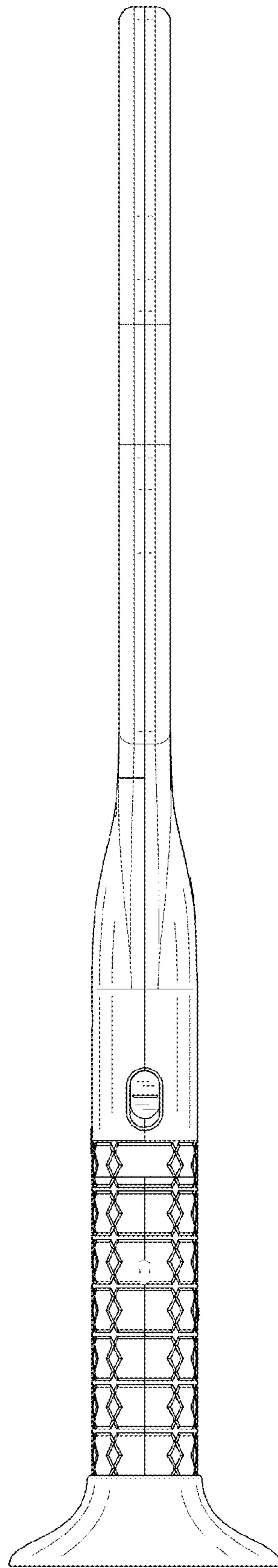


FIG. 5

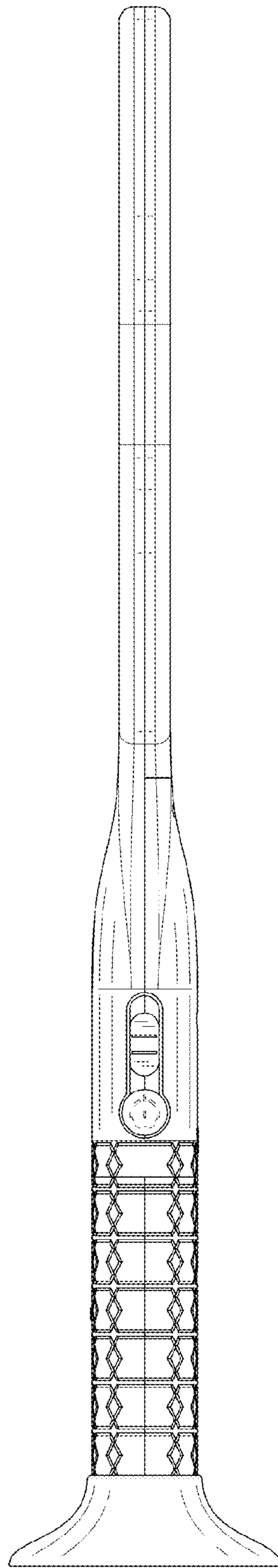


FIG. 6

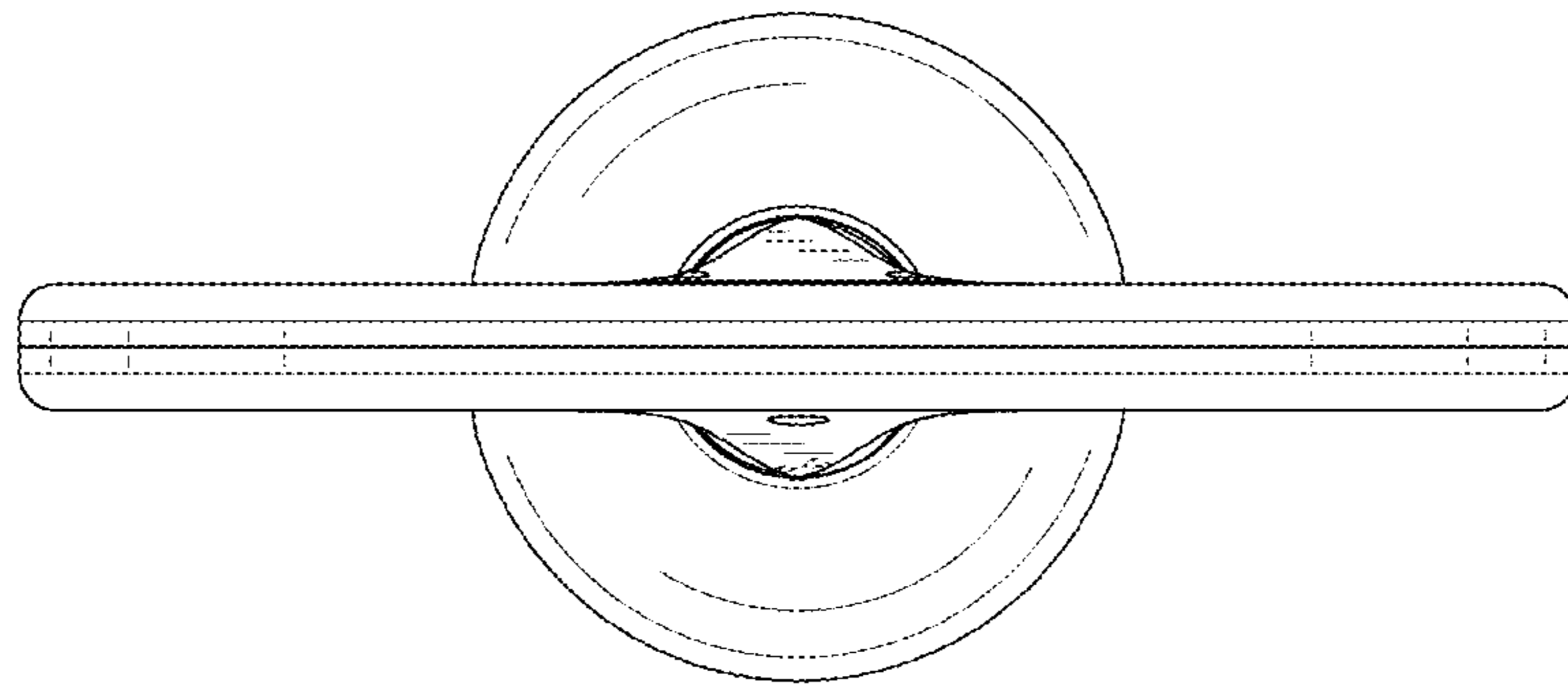


FIG. 7

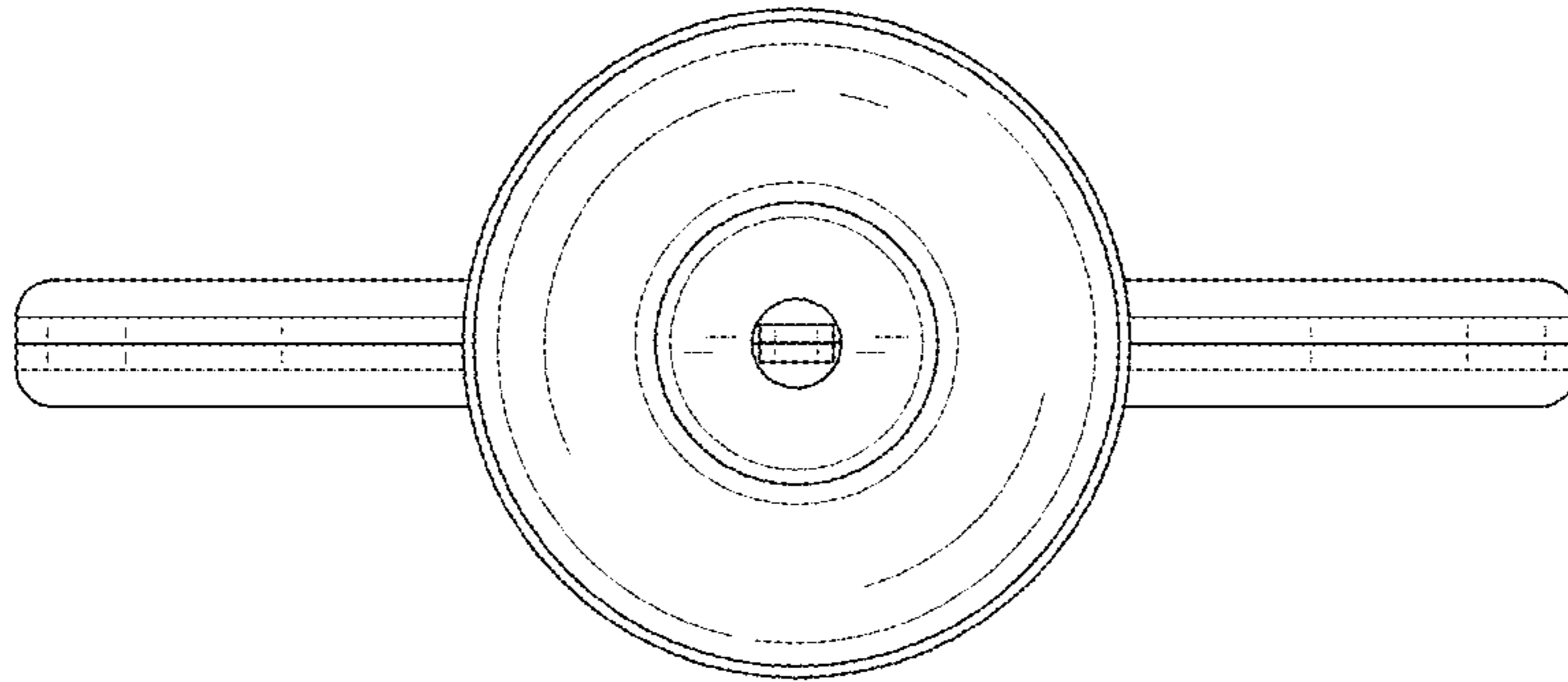


FIG. 8

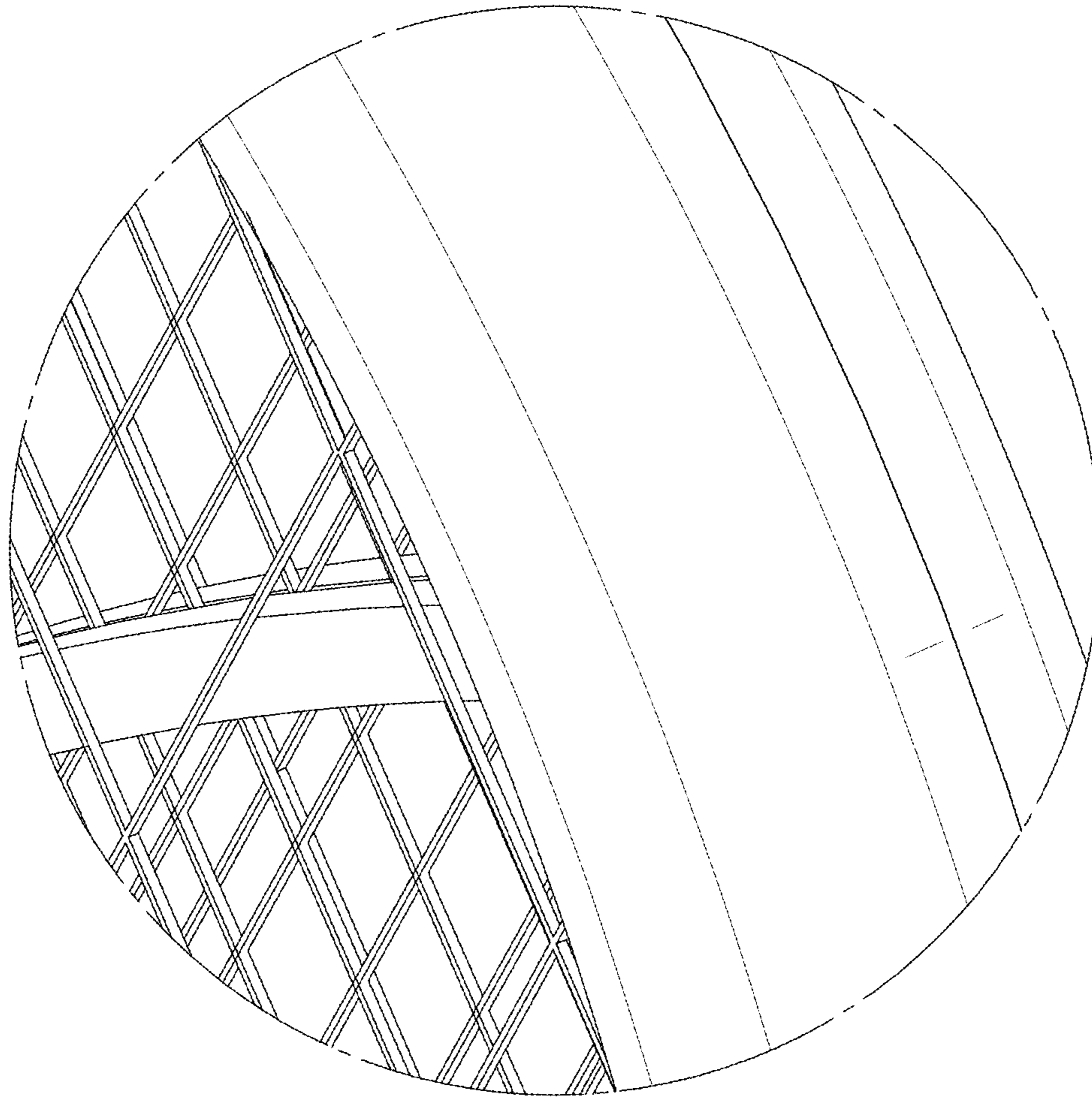


FIG. 9

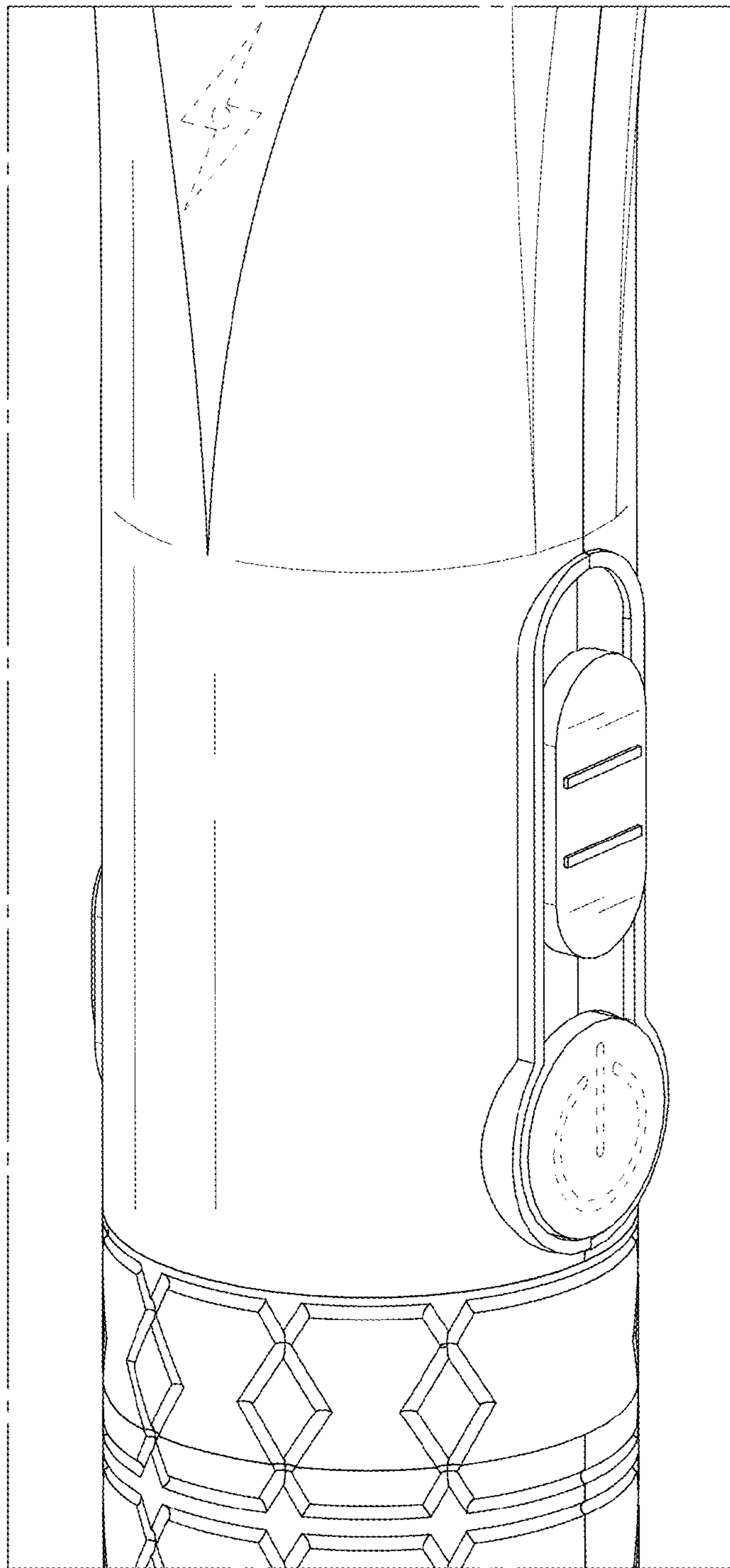


FIG. 10