

US00D949274S

(12) **United States Design Patent**
Patsis

(10) **Patent No.:** **US D949,274 S**

(45) **Date of Patent:** **** Apr. 19, 2022**

(54) **GOLF BALL MARKER AND HOLDER**

(71) Applicant: **SPEAQUA CORPORATION**, Deer Park, NY (US)

(72) Inventor: **Steven Patsis**, Islip, NY (US)

(73) Assignee: **SPEAQUA CORPORATION**, Deer Park, NY (US)

(**) Term: **15 Years**

(21) Appl. No.: **29/739,729**

(22) Filed: **Jun. 29, 2020**

(51) **LOC (13) Cl.** **21-02**

(52) **U.S. Cl.**
USPC **D21/794**

(58) **Field of Classification Search**
USPC D21/789, 793, 794
See application file for complete search history.

(56) **References Cited**

U.S. PATENT DOCUMENTS

- 3,139,690 A * 7/1964 Hait A63B 57/353
40/1.5
- 3,938,805 A * 2/1976 Sakuma A63B 53/14
473/406
- D350,179 S * 8/1994 Johnson D21/794
- D365,133 S * 12/1995 Belmont D21/794
- D409,705 S * 5/1999 Fazekas D21/793
- D430,142 S * 8/2000 Kuo et al.
- 6,422,955 B1 * 7/2002 Lopez A63B 57/207
473/406
- D540,291 S * 4/2007 Heath
- D540,902 S * 4/2007 Regalado D21/794
- D588,670 S * 3/2009 Walz D21/794
- D606,149 S * 12/2009 Regalado D21/793
- D617,674 S * 6/2010 Nakamura
- D624,142 S * 9/2010 Weber D21/794
- D624,143 S * 9/2010 Weber D21/794
- D630,284 S * 1/2011 Desrosiers D21/794

- D637,173 S * 5/2011 Elkerbout
- D639,273 S * 6/2011 Chow
- D645,846 S * 9/2011 Mordechai
- D659,680 S * 5/2012 Kim et al.

(Continued)

Primary Examiner — Mitchell I. Siegel

(74) *Attorney, Agent, or Firm* — Carter, DeLuca & Farrell LLP; George Likourezos

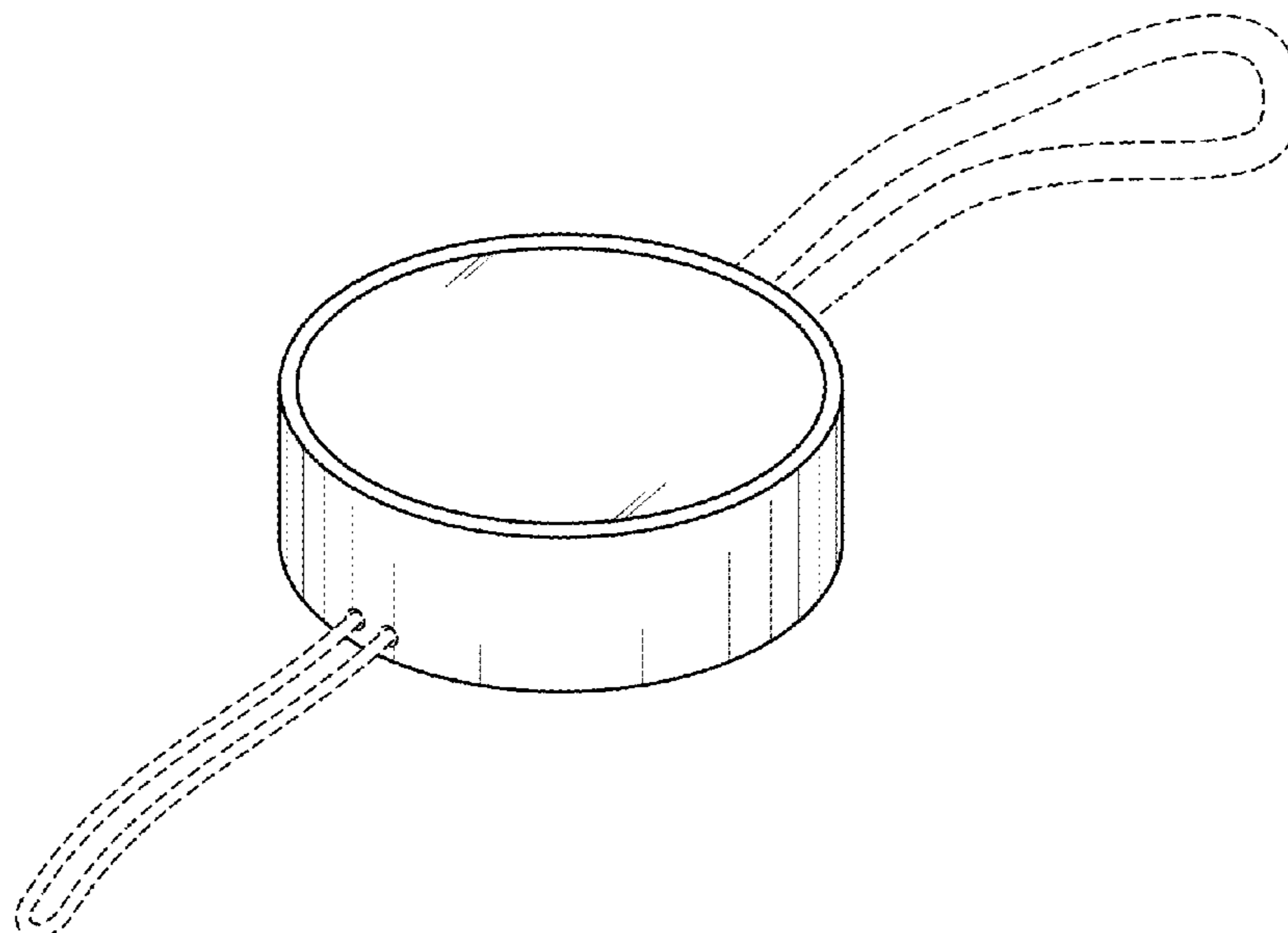
(57) **CLAIM**

The ornamental design for a golf ball marker and holder, as shown and described.

DESCRIPTION

FIG. 1 is a top, perspective view of a golf ball marker and holder in accordance with the present design;
 FIG. 2 is a top, perspective view of the golf ball marker and holder with the golf ball marker shown removed from the holder in accordance with the present design;
 FIG. 3 is a bottom, perspective view of the golf ball marker and holder in accordance with the present invention;
 FIG. 4 is a front, side view of the golf ball marker and holder in accordance with the present design;
 FIG. 5 is a back, side view of the golf ball marker and holder in accordance with the present design;
 FIG. 6 is a right-side view of the golf ball marker and holder in accordance with the present design;
 FIG. 7 is a left-side view of the golf ball marker and holder in accordance with the present design;
 FIG. 8 is a top view of the golf ball marker and holder in accordance with the present design; and,
 FIG. 9 is a bottom view of the golf ball marker and holder in accordance with the present design.
 The broken lines shown in the drawings illustrate portions of the golf ball marker and holder that form no part of the claimed design.

1 Claim, 4 Drawing Sheets



(56)

References Cited

U.S. PATENT DOCUMENTS

D662,165 S * 6/2012 Kragerud D21/794
8,388,469 B1 * 3/2013 Hawthorn A63B 57/353
473/406
D689,973 S * 9/2013 Smith D21/794
8,544,705 B2 * 10/2013 Su A41F 1/002
224/163
D692,854 S 11/2013 Stabile
8,666,103 B2 3/2014 Hsieh
D710,473 S * 8/2014 Kragerud D21/794
D721,152 S * 1/2015 Kokoska D21/794
D741,972 S * 10/2015 McDevitt D21/794
D743,941 S 11/2015 Patsis
D772,998 S * 11/2016 Ranjan D21/793
D802,694 S * 11/2017 Kragerud D21/794
D803,337 S * 11/2017 Kragerud D21/794
D816,178 S * 4/2018 Goserud D21/794
D816,789 S * 5/2018 Reich D21/793
D849,863 S * 5/2019 Kragerud D21/794
D866,695 S * 11/2019 Reich D21/793
D866,696 S * 11/2019 Reich D21/793
D892,247 S * 8/2020 Reich D21/793
D892,248 S * 8/2020 Beard D21/794
D895,754 S * 9/2020 Leposky D21/794
D897,470 S * 9/2020 Reich D21/793
D908,181 S * 1/2021 Szots D21/794
D914,821 S * 3/2021 Leposky D21/794
D916,222 S * 4/2021 Goserud D21/791
D928,265 S * 8/2021 Gilkison D21/794
2014/0064535 A1 3/2014 Zhao

* cited by examiner

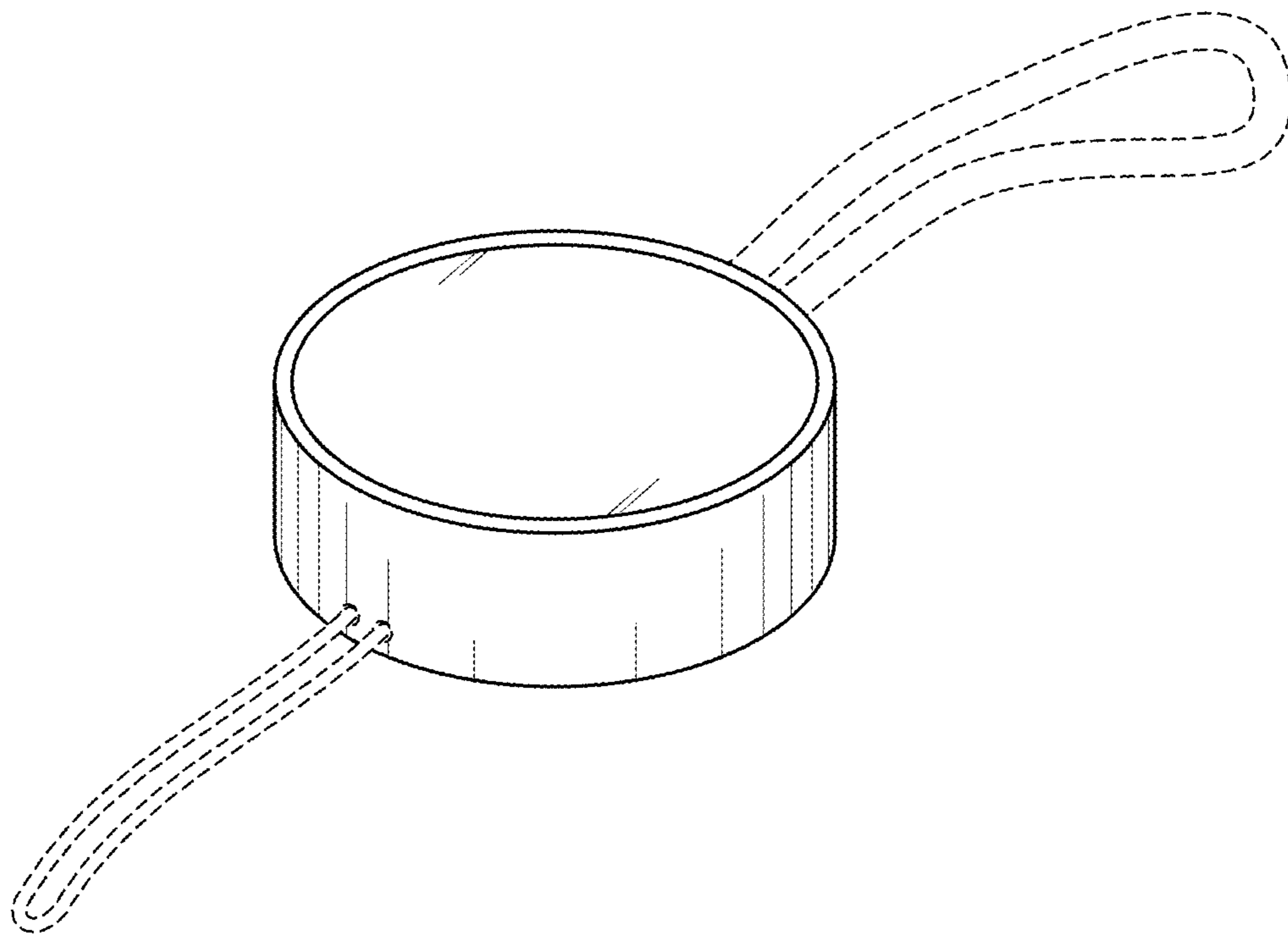


FIG. 1

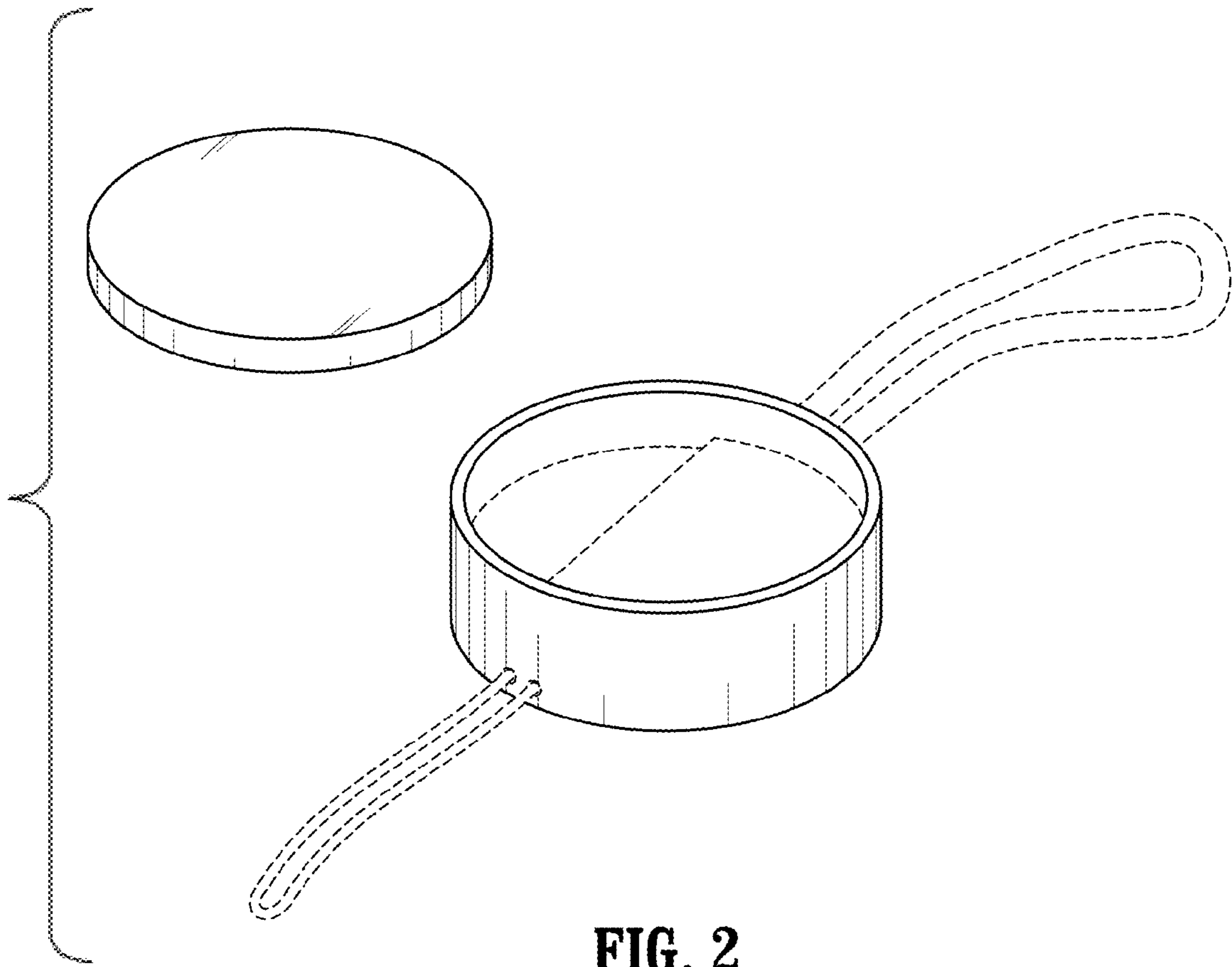


FIG. 2

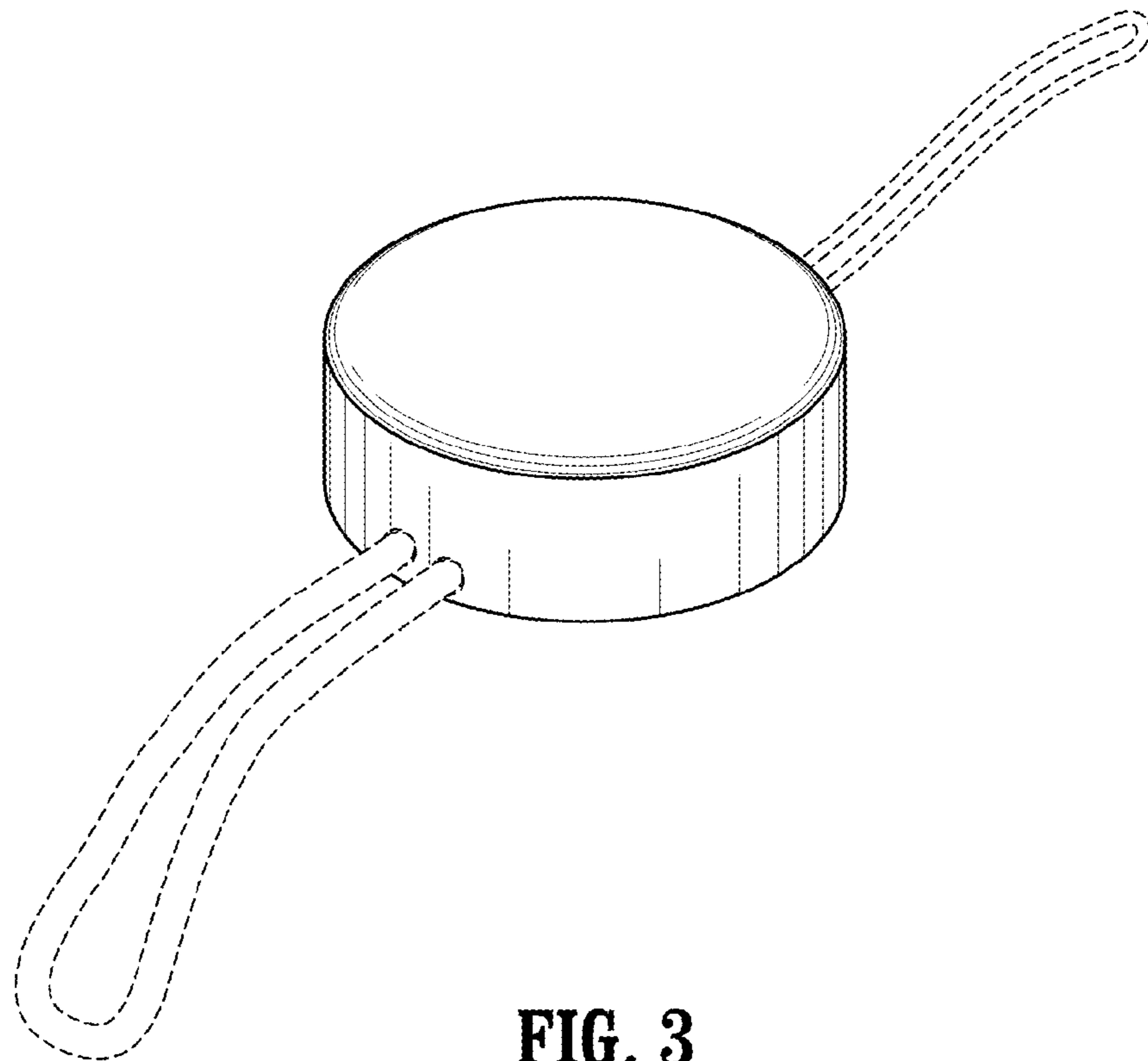


FIG. 3

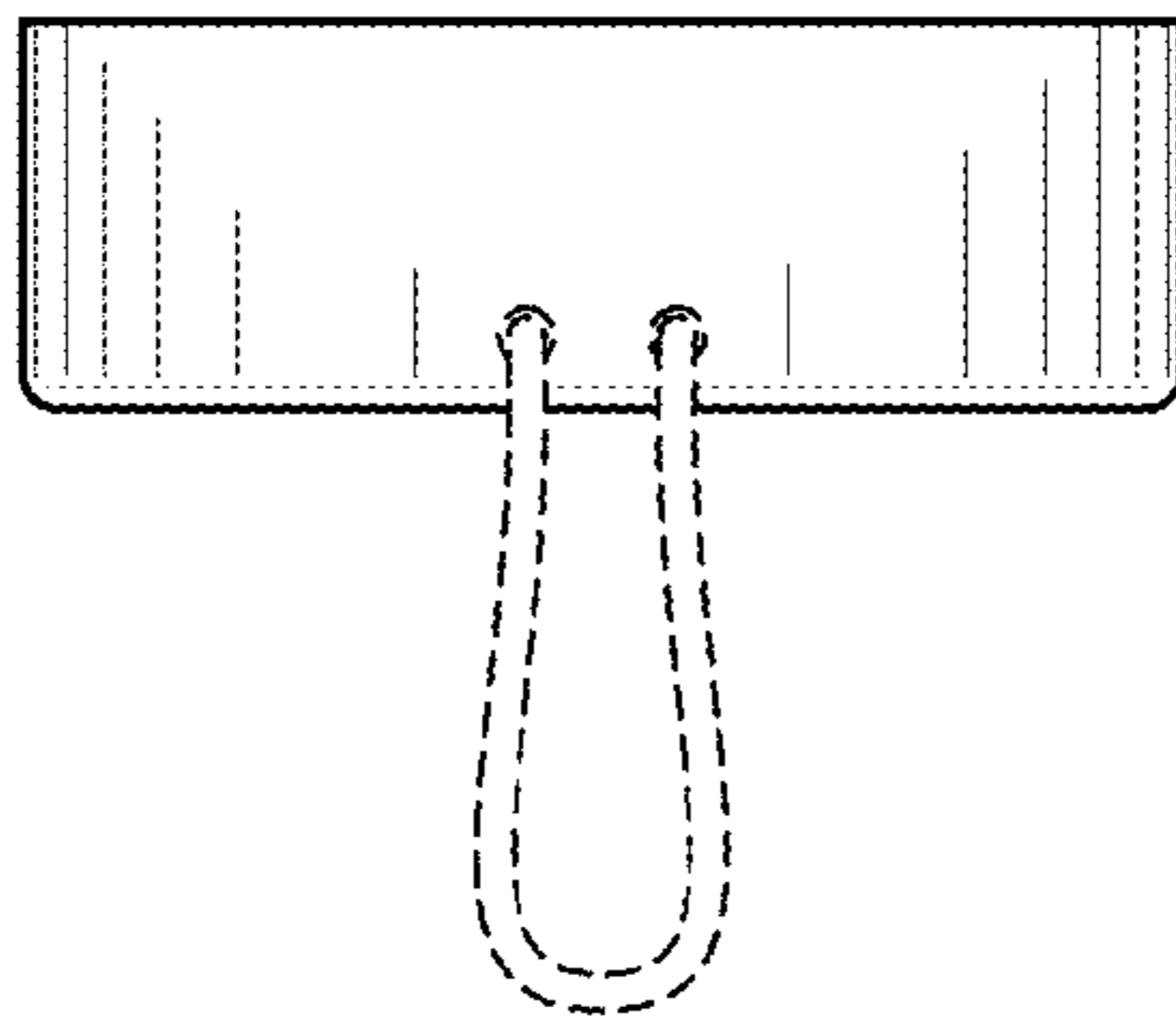


FIG. 4

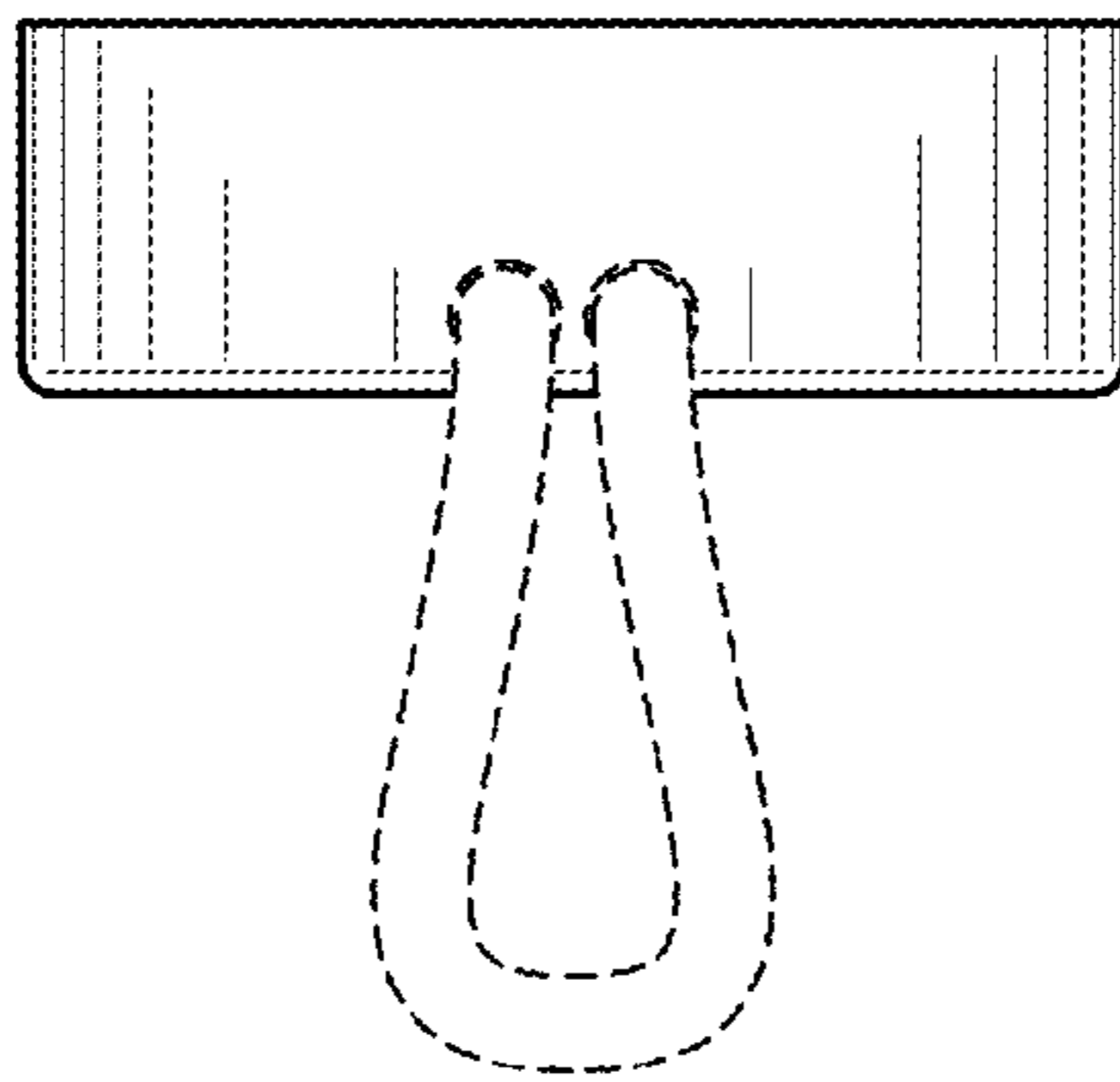


FIG. 5

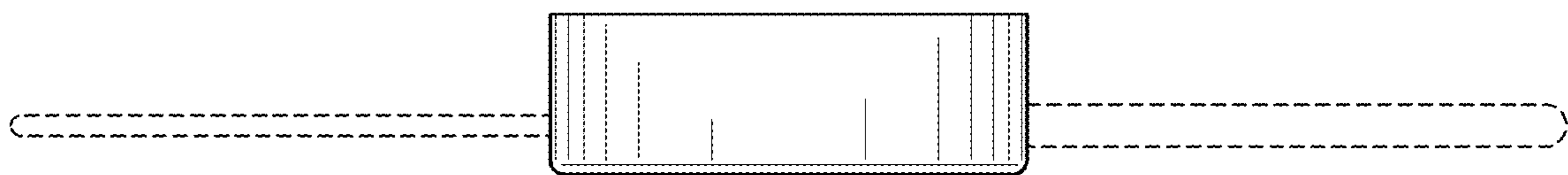


FIG. 6

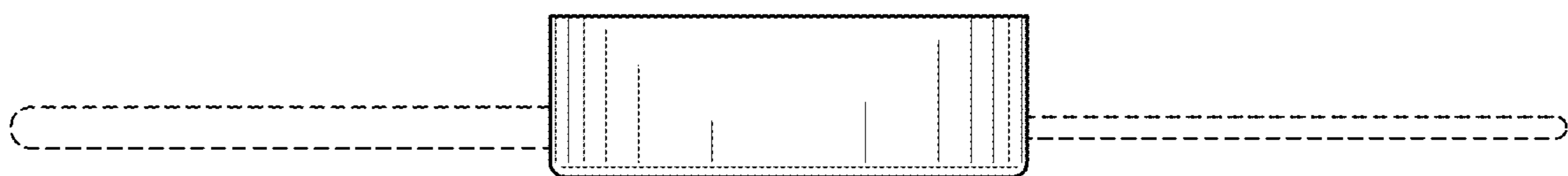


FIG. 7

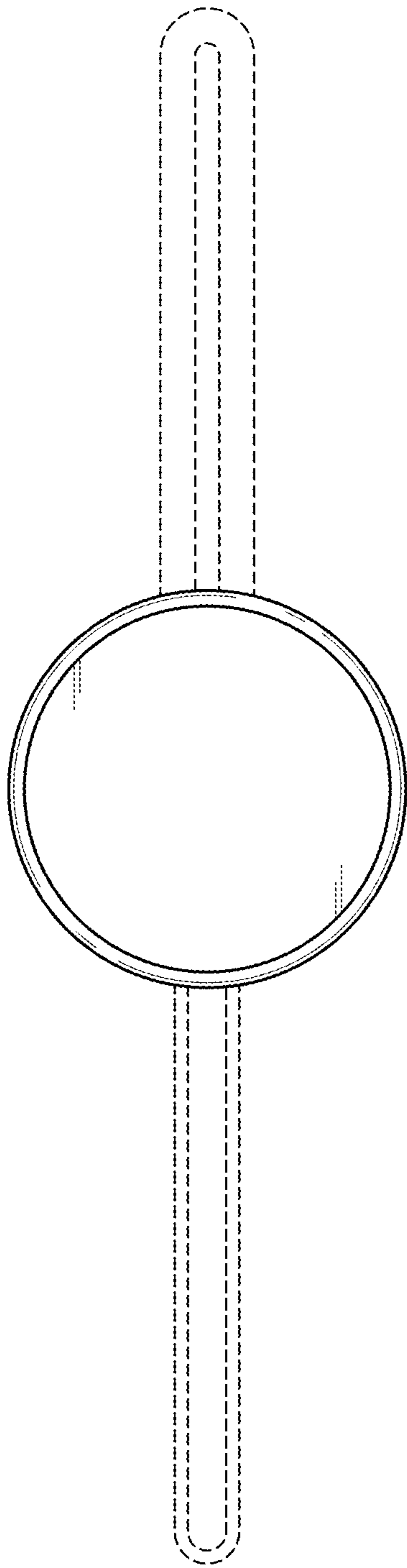


FIG. 8

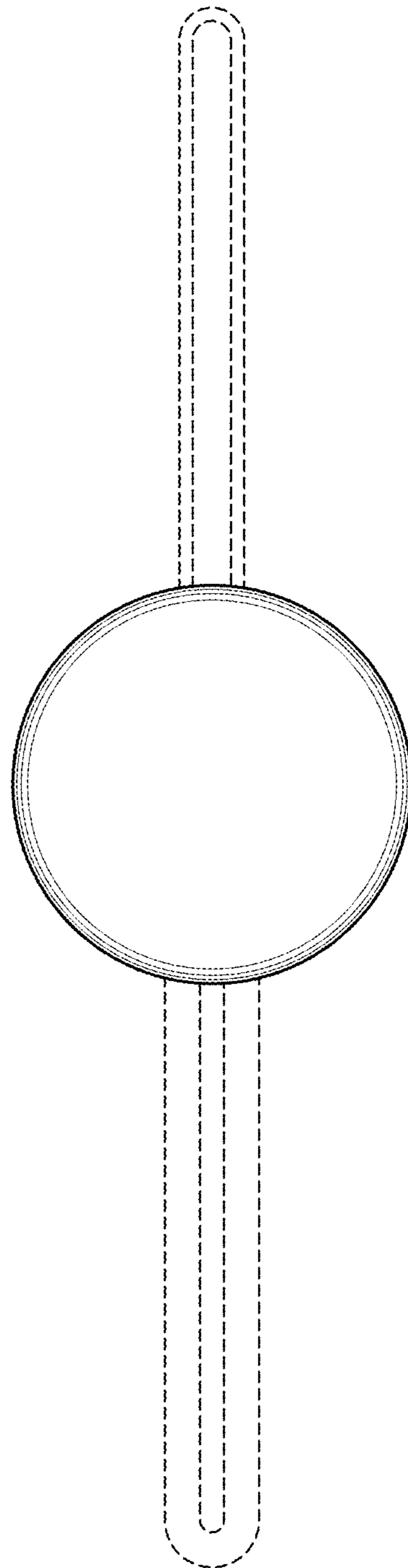


FIG. 9