



US00D949267S

(12) **United States Design Patent** (10) **Patent No.:** **US D949,267 S**
Vorozilchak (45) **Date of Patent:** **** Apr. 19, 2022**

(54) **EXERCISE SLED**
(71) Applicant: **Warrior Strength LLC**, Wilkes Barre, PA (US)
(72) Inventor: **David Vorozilchak**, Shavertown, PA (US)
(73) Assignee: **WARRIOR STRENGTH LLC**
(**) Term: **15 Years**

D389,543 S 1/1998 Morning
D389,545 S 1/1998 Gertler
6,471,237 B1 10/2002 Bedsole
7,040,635 B1 5/2006 Remole
7,104,934 B1 9/2006 Smith
D562,417 S 2/2008 Noojin
7,476,183 B1 * 1/2009 Chrest A63B 21/072
482/908
D606,611 S 12/2009 Rogers
7,727,089 B2 6/2010 Gilman
D667,063 S * 9/2012 Thompson D21/694
(Continued)

(21) Appl. No.: **29/731,591**
(22) Filed: **Apr. 16, 2020**

OTHER PUBLICATIONS

All-Surface Weight & Prowler Sleds on Wheels | Football Blocking Sleds, <https://www.torquefitness.com/tank-all-surface-sled/>, Printed Sep. 11, 2018. US.

(Continued)

Related U.S. Application Data

(63) Continuation-in-part of application No. 29/663,158, filed on Sep. 12, 2018, now Pat. No. Des. 895,742.
(51) **LOC (13) Cl.** **21-02**
(52) **U.S. Cl.**
USPC **D21/698**; D21/686
(58) **Field of Classification Search**
USPC D21/662, 680, 686, 694, 698, 760, 788;
D34/12, 14, 16, 17, 19, 20, 21, 23, 24,
D34/25, 26, 27
CPC A63B 21/4043; A63B 23/047; A63B
21/0004; A63B 21/012
See application file for complete search history.

Primary Examiner — Michael A Maharajh
(74) *Attorney, Agent, or Firm* — The Belles Group, P.C.

(57) **CLAIM**

The ornamental design of an exercise sled, as shown and described.

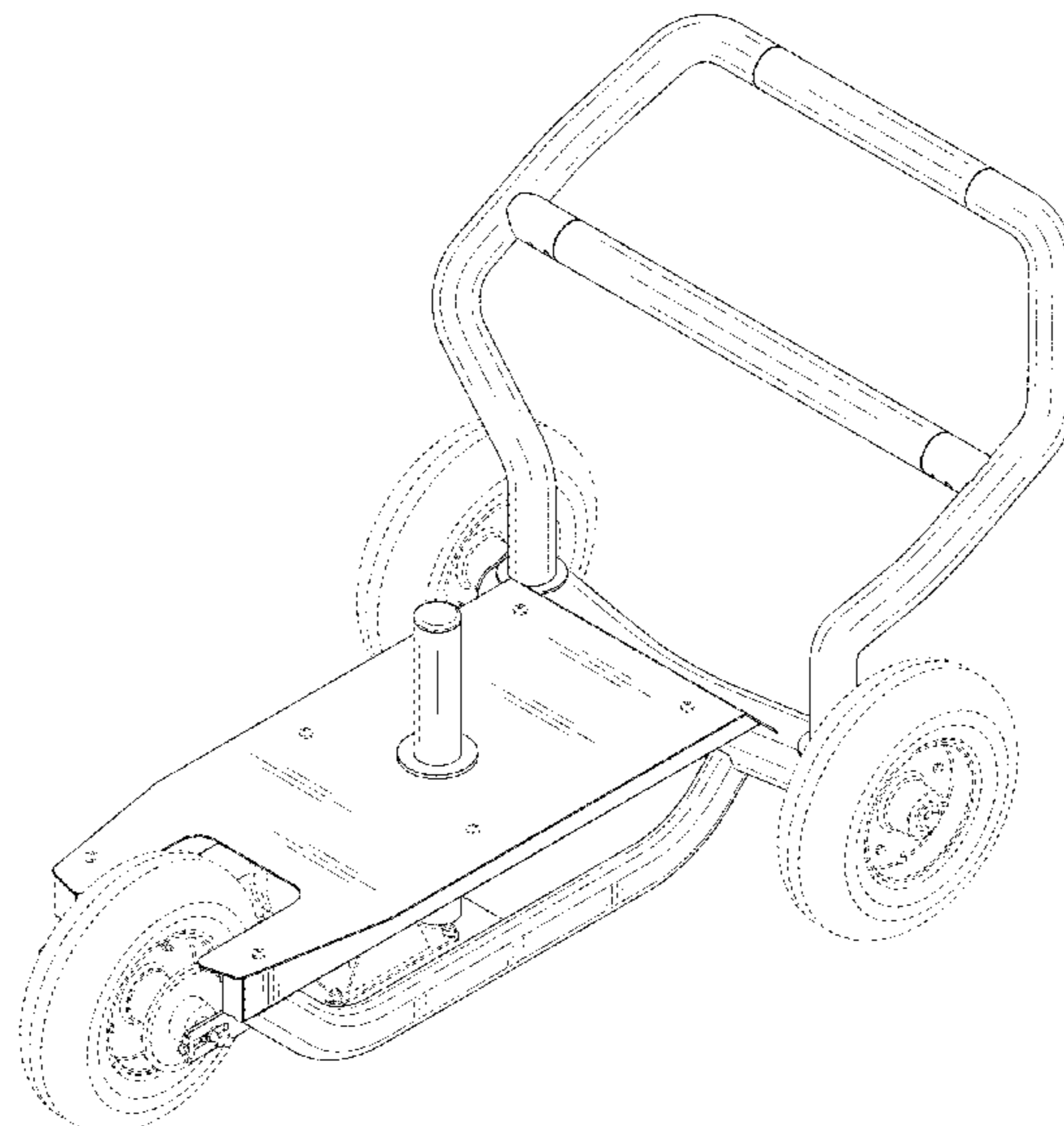
DESCRIPTION

FIG. 1 is a top perspective view of an exercise sled showing our new design;
FIG. 2 is a bottom perspective view thereof;
FIG. 3 is a front end view thereof;
FIG. 4 is a rear end view thereof;
FIG. 5 is a left side view thereof;
FIG. 6 is a right side view thereof;
FIG. 7 is a top plan view thereof; and,
FIG. 8 is a bottom plan view thereof.
All broken lines shown in the drawings are for the purpose of showing environmental structure which form no part of the claimed design.

(56) **References Cited**
U.S. PATENT DOCUMENTS

2,662,779 A 12/1953 Squyer
3,294,399 A 12/1966 Cugliari
3,364,747 A 1/1968 Ebstein
4,765,612 A 8/1988 Henry, Jr.
D342,361 S 12/1993 Williams
5,318,314 A 6/1994 Cyphers
5,487,711 A 1/1996 Little
D377,254 S 1/1997 Cavalliere
D383,811 S 9/1997 Ho

1 Claim, 8 Drawing Sheets



(56)

References Cited

U.S. PATENT DOCUMENTS

8,617,007 B2 12/2013 Gilman
 9,186,538 B1 * 11/2015 Seen A63B 21/072
 D804,763 S * 12/2017 Lopez D34/16
 D804,764 S * 12/2017 Emery D34/17
 D805,269 S * 12/2017 Emery D34/17
 9,975,024 B1 * 5/2018 Potter A63B 21/00065
 D847,920 S * 5/2019 Lien D21/691
 D851,186 S * 6/2019 Kuka D21/691
 10,335,627 B2 * 7/2019 Potter A63B 21/068
 D868,411 S * 11/2019 Kowalski D34/24
 D887,513 S * 6/2020 Pastrick D21/788
 D895,742 S * 9/2020 Vorozilchak D21/686
 D923,902 S * 6/2021 Kobayashi D34/12
 D927,612 S * 8/2021 Thomas D21/686
 D932,725 S * 10/2021 Kobayashi D34/17
 2007/0054787 A1 * 3/2007 Simmons A63B 23/03525
 482/97
 2007/0210547 A1 * 9/2007 Ellis B62B 3/10
 280/79.2
 2008/0312009 A1 * 12/2008 Gilman A63B 21/4001
 473/445
 2010/0059950 A1 * 3/2010 Coghill, Jr. B62B 1/14
 280/47.26
 2011/0124474 A1 * 5/2011 Gilman A63B 21/0618
 482/93
 2011/0224050 A1 * 9/2011 Larish A63B 23/1281
 482/93

2011/0224051 A1 * 9/2011 Larish A63B 21/4035
 482/93
 2012/0172155 A1 * 7/2012 Gilman A63B 69/0071
 473/447
 2013/0095984 A1 * 4/2013 Agate A63B 23/047
 482/106
 2014/0073491 A1 * 3/2014 Gilson A63B 21/0004
 482/93
 2016/0199688 A1 * 7/2016 Briley A63B 21/4034
 482/97
 2017/0065845 A1 * 3/2017 Pinkus A63B 23/03541
 2017/0136285 A1 * 5/2017 Chessen A63B 23/03525
 2017/0189733 A1 * 7/2017 Bentley A63B 21/4035
 2017/0232293 A1 * 8/2017 Deen A63B 23/0211
 482/93
 2017/0326402 A1 * 11/2017 Sorin A63B 21/06
 2018/0311522 A1 * 11/2018 Schmidt A63B 21/06
 2019/0022499 A1 * 1/2019 Seidman A63B 69/345
 2019/0262689 A1 * 8/2019 Gray A63B 23/047
 2019/0365591 A1 * 12/2019 Mahoney A63B 69/0055

OTHER PUBLICATIONS

Workout Sled—Develop Powerful Legs and Strong Back Muscles with a Weight Sled | Power Systems, <https://www.power-systems.com/shop/product/monster-sled>, Printed Sep. 11, 2018. US.
 XPO Trainer® | Push Sled on Wheels | Armored Fitness Equipment® | Armored Fitness Equipment, <https://www.armoredfitness.com/products/xpo-trainer>, Printed Sep. 11, 2018. US.

* cited by examiner

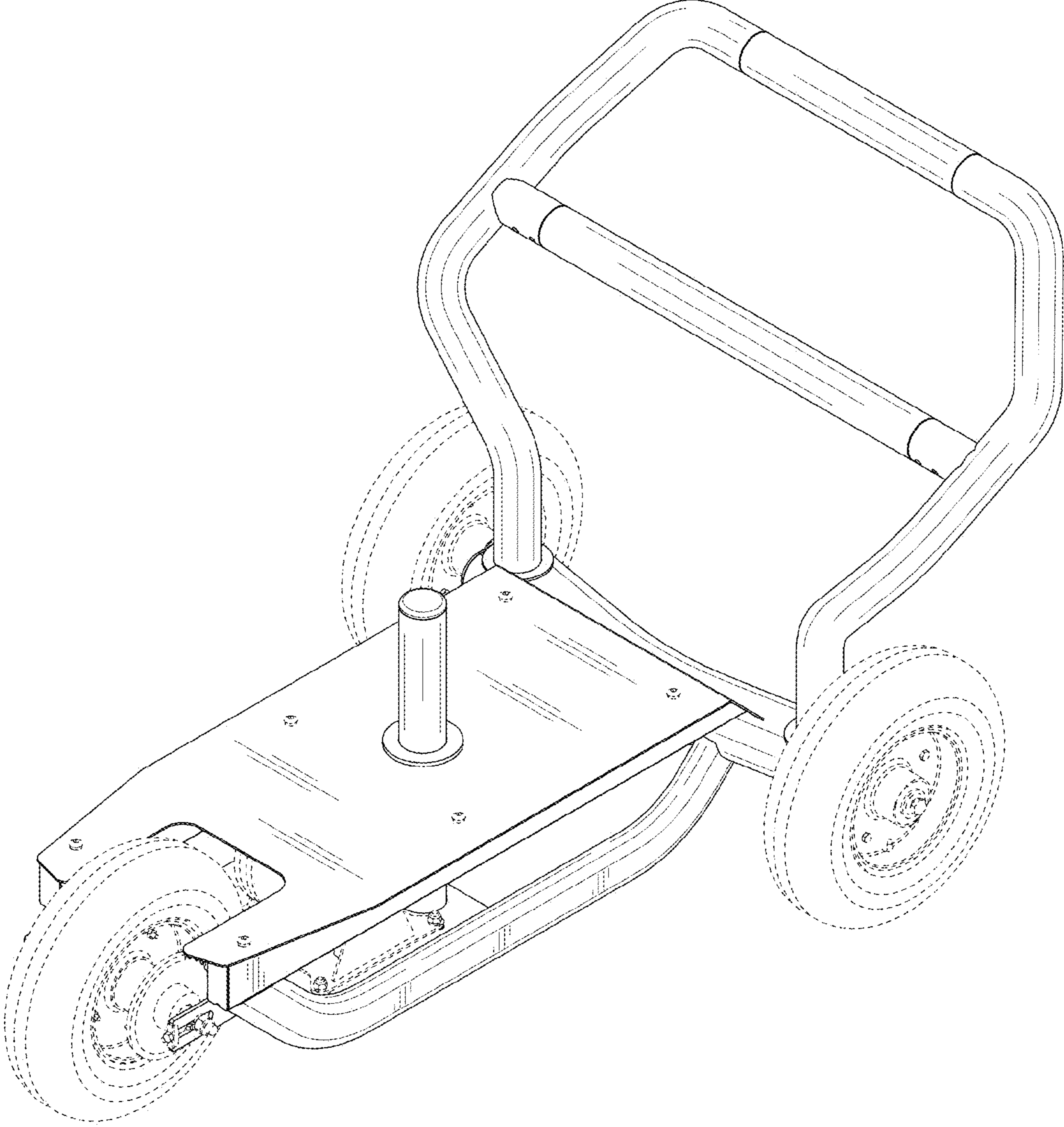


FIG. 1

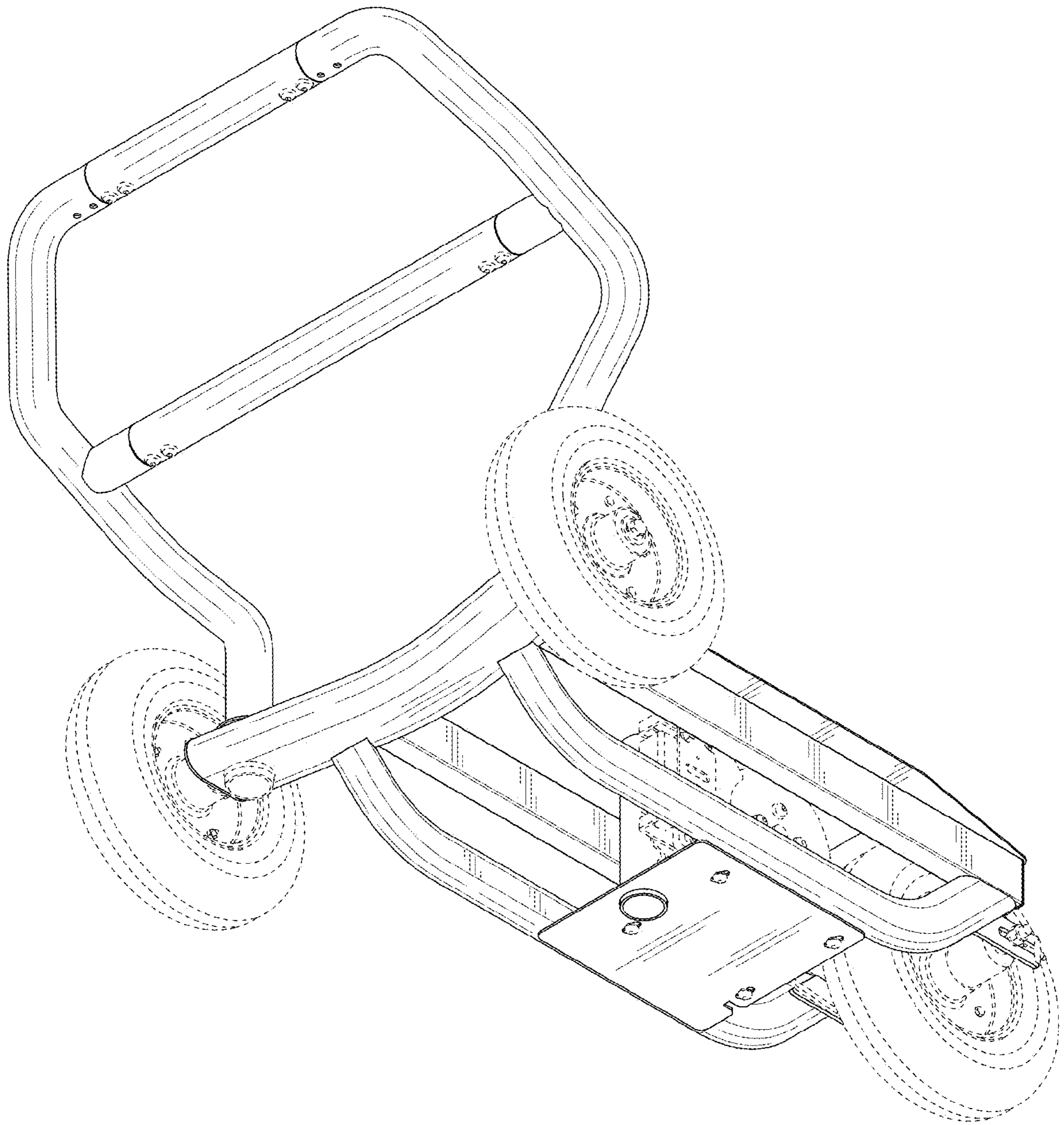


FIG. 2

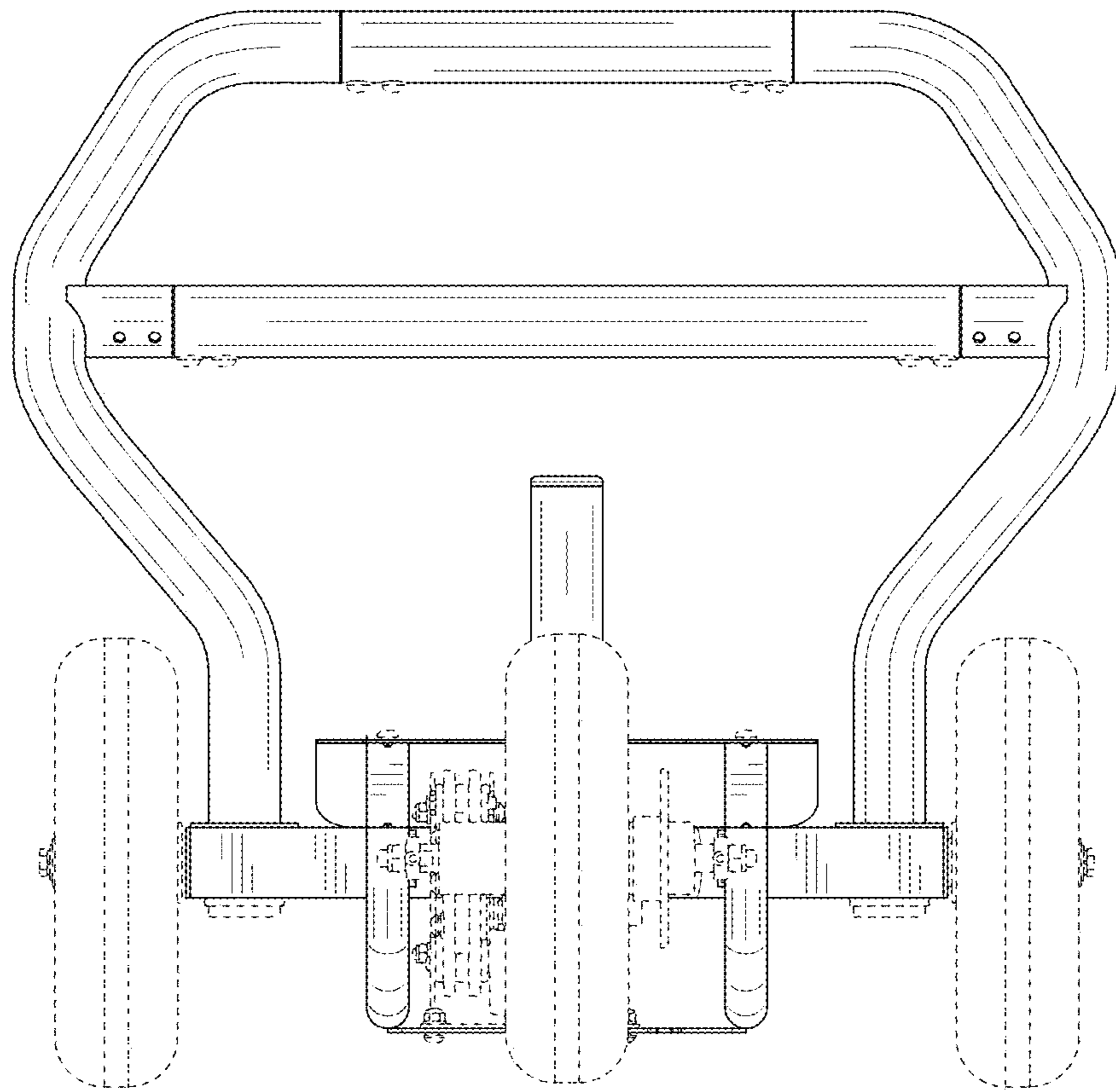


FIG. 3

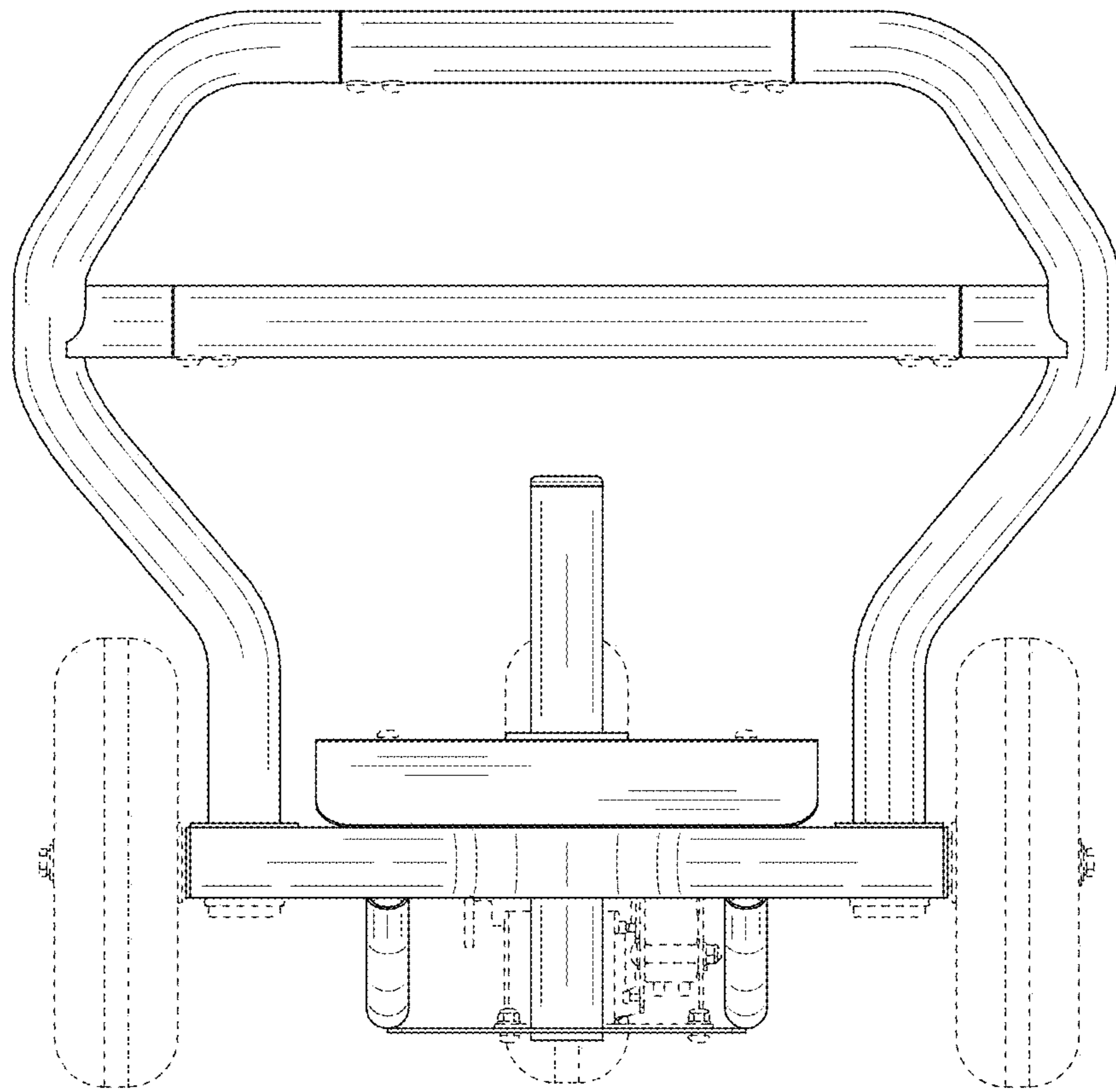


FIG. 4

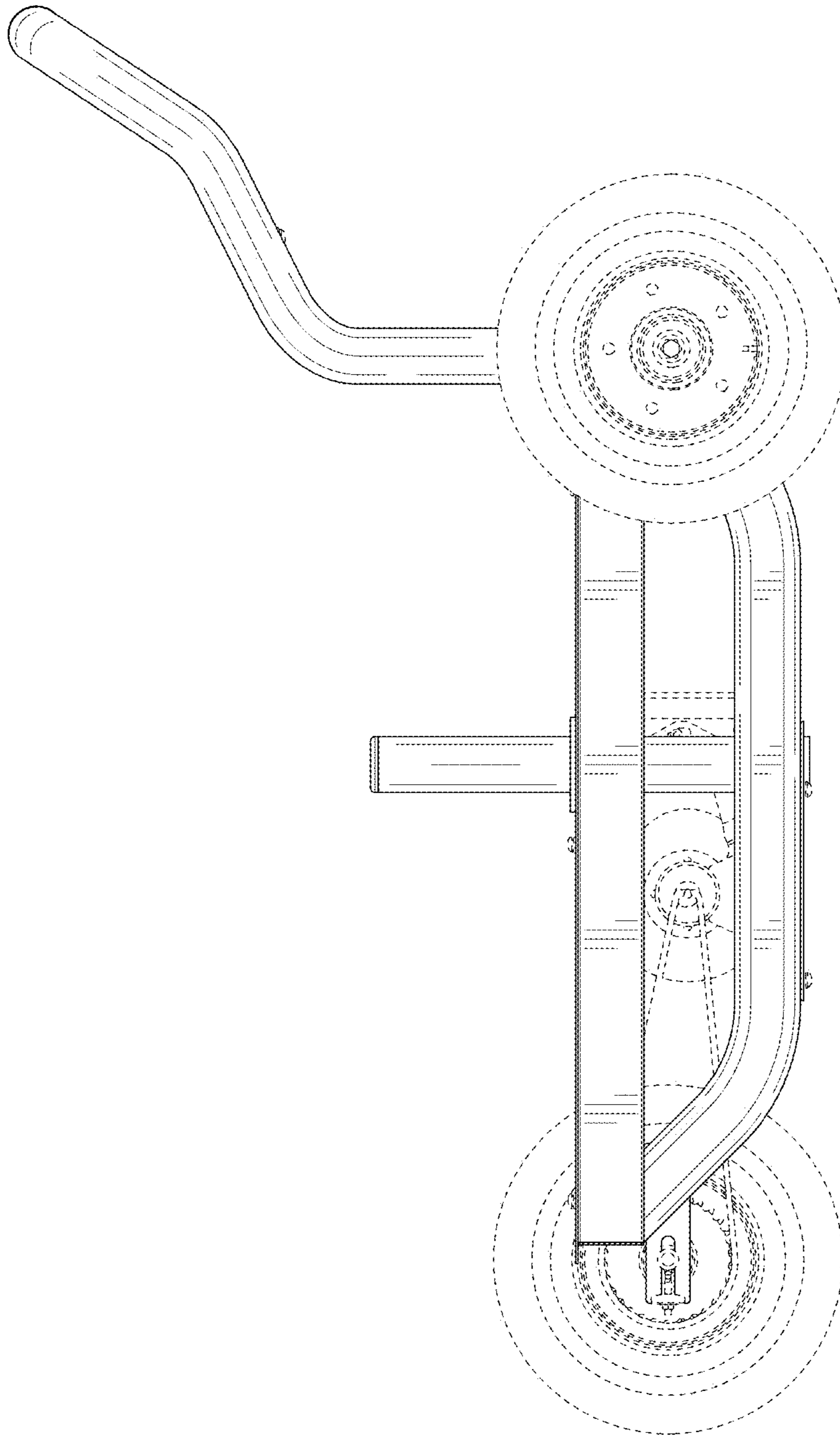


FIG. 5

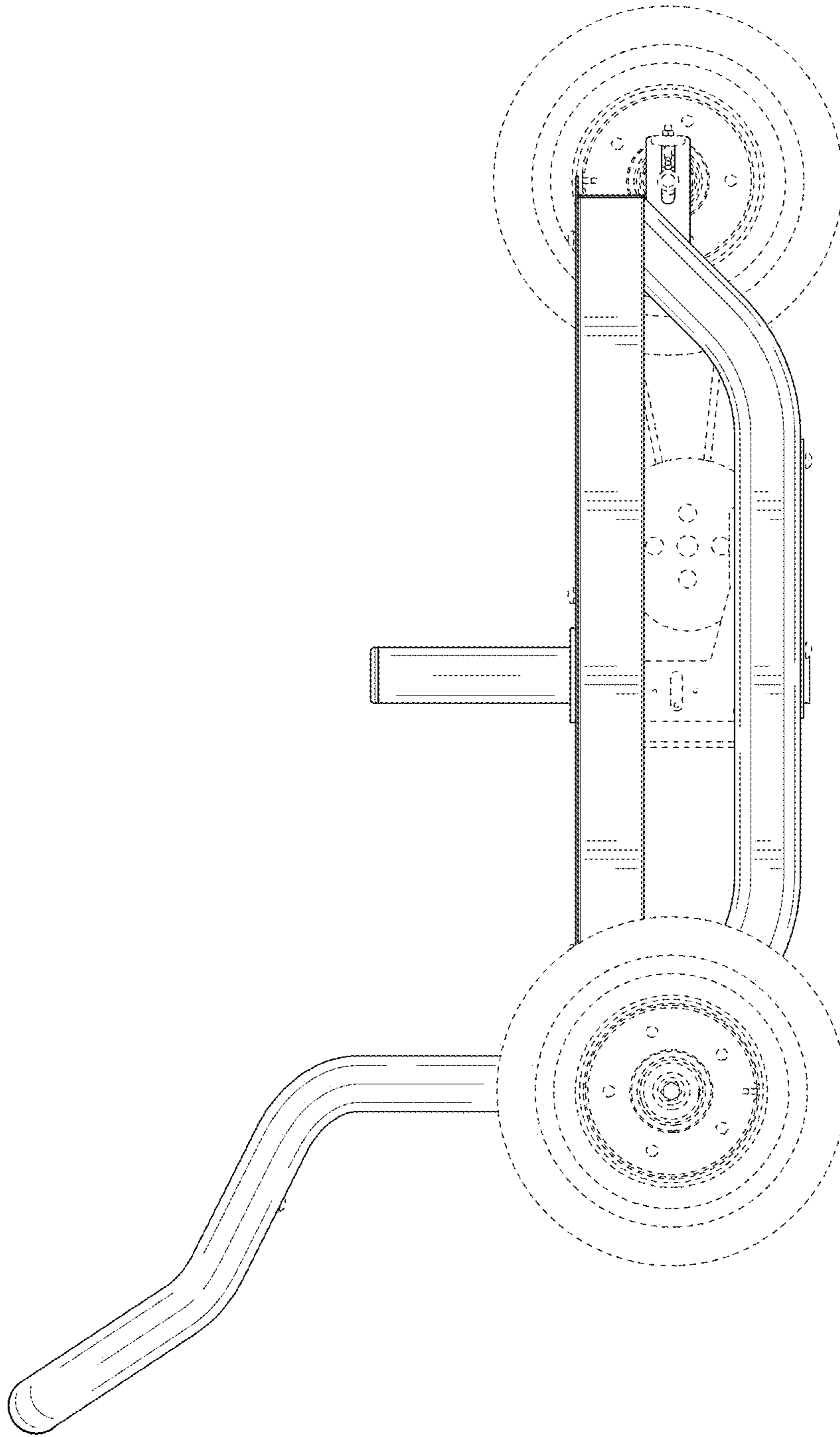


FIG. 6

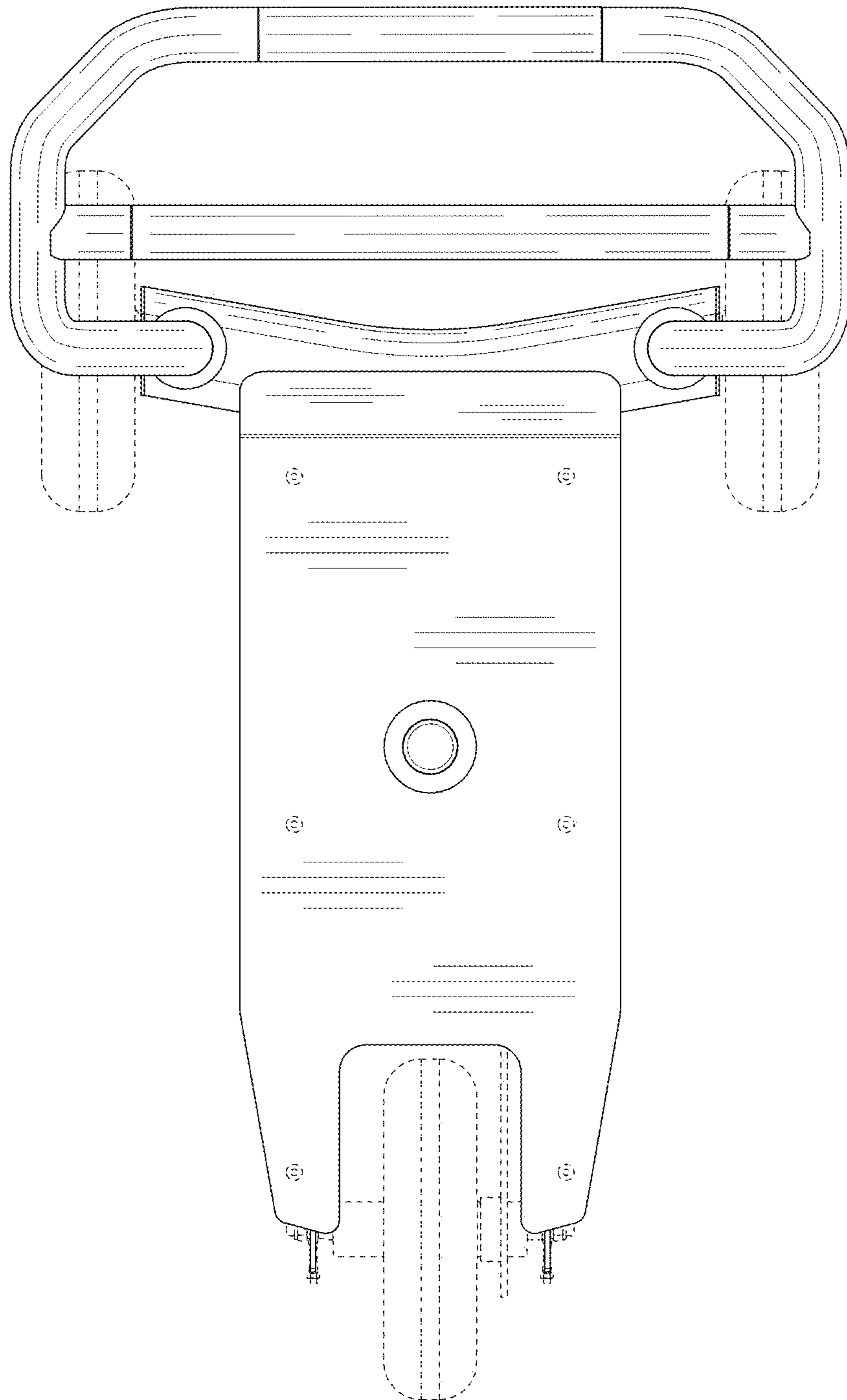


FIG. 7

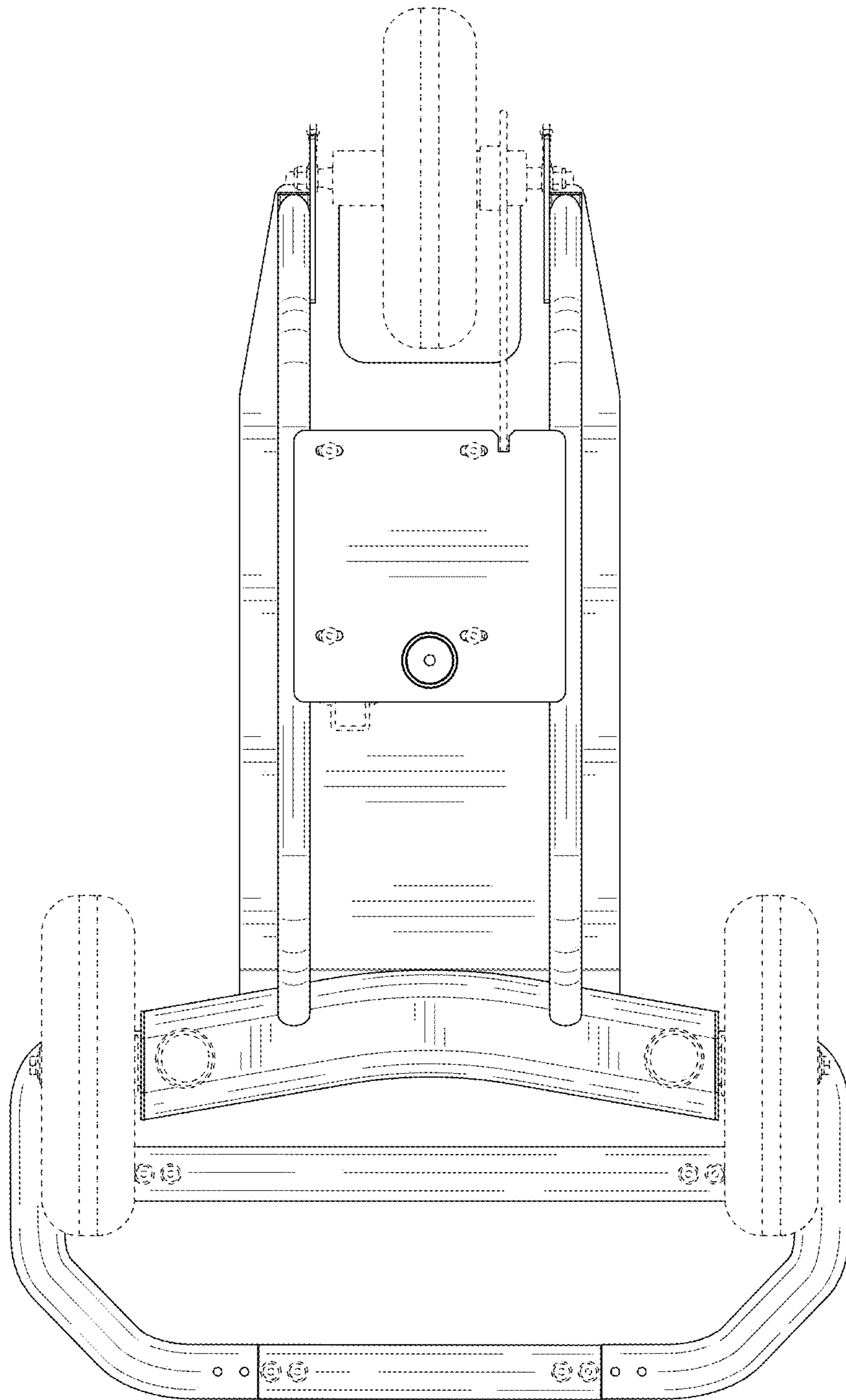


FIG. 8