



US00D949266S

(12) **United States Design Patent**
Dunahay

(10) **Patent No.:** **US D949,266 S**

(45) **Date of Patent:** **** Apr. 19, 2022**

- (54) **PEG**
- (71) Applicant: **Coulter Ventures, LLC.**, Columbus, OH (US)
- (72) Inventor: **Nash Dunahay**, Blacklick, OH (US)
- (73) Assignee: **Coulter Ventures, LLC.**, Columbus, OH (US)
- (**) Term: **15 Years**
- (21) Appl. No.: **29/744,994**
- (22) Filed: **Aug. 3, 2020**

- 5,524,772 A 6/1996 Simmons
- 5,884,912 A 3/1999 Ignatiev
- D410,706 S 6/1999 Toft
- D455,310 S 4/2002 Webber
- D459,200 S 6/2002 Zhao
- D459,202 S 6/2002 Dolan
- 6,450,378 B1 9/2002 Miller
- D467,312 S 12/2002 Singtoroj
- D469,293 S 1/2003 Harms
- D469,294 S 1/2003 Harms et al.
- D550,793 S 9/2007 Rogers et al.
- D552,691 S 10/2007 Tak

(Continued)

Related U.S. Application Data

- (63) Continuation of application No. 29/659,880, filed on Aug. 13, 2018, now Pat. No. Des. 892,238.
- (51) **LOC (13) Cl.** **21-02**
- (52) **U.S. Cl.**
USPC **D21/694**
- (58) **Field of Classification Search**
USPC D21/304, 690, 686, 694, 505, 487, 484;
D23/250; D8/300, 310, 352, 354, 367,
D8/378; D9/434, 443, 454; D24/184
CPC A63F 21/078; A63F 21/00069; A63F
9/0078; A63F 21/0442; A63F 21/0004;
A63F 69/16
See application file for complete search history.

References Cited

U.S. PATENT DOCUMENTS

- 4,108,313 A 8/1978 Bogar, Jr.
- D267,632 S 1/1983 French
- D276,830 S 12/1984 Petersson
- D310,446 S 9/1990 Elkins
- 4,991,723 A 2/1991 Elkins
- D331,463 S 12/1992 Rosenberg et al.
- D337,466 S 7/1993 Moser

OTHER PUBLICATIONS

Product listing for Rogue Monster J-Cups from <https://web.archive.org/web/20160825212705/http://www.roguefitness.com:80/rogue-monster-j-cups>, dated Aug. 25, 2016.

(Continued)

Primary Examiner — Michael A Maharajh

(74) *Attorney, Agent, or Firm* — Banner & Witcoff, Ltd.

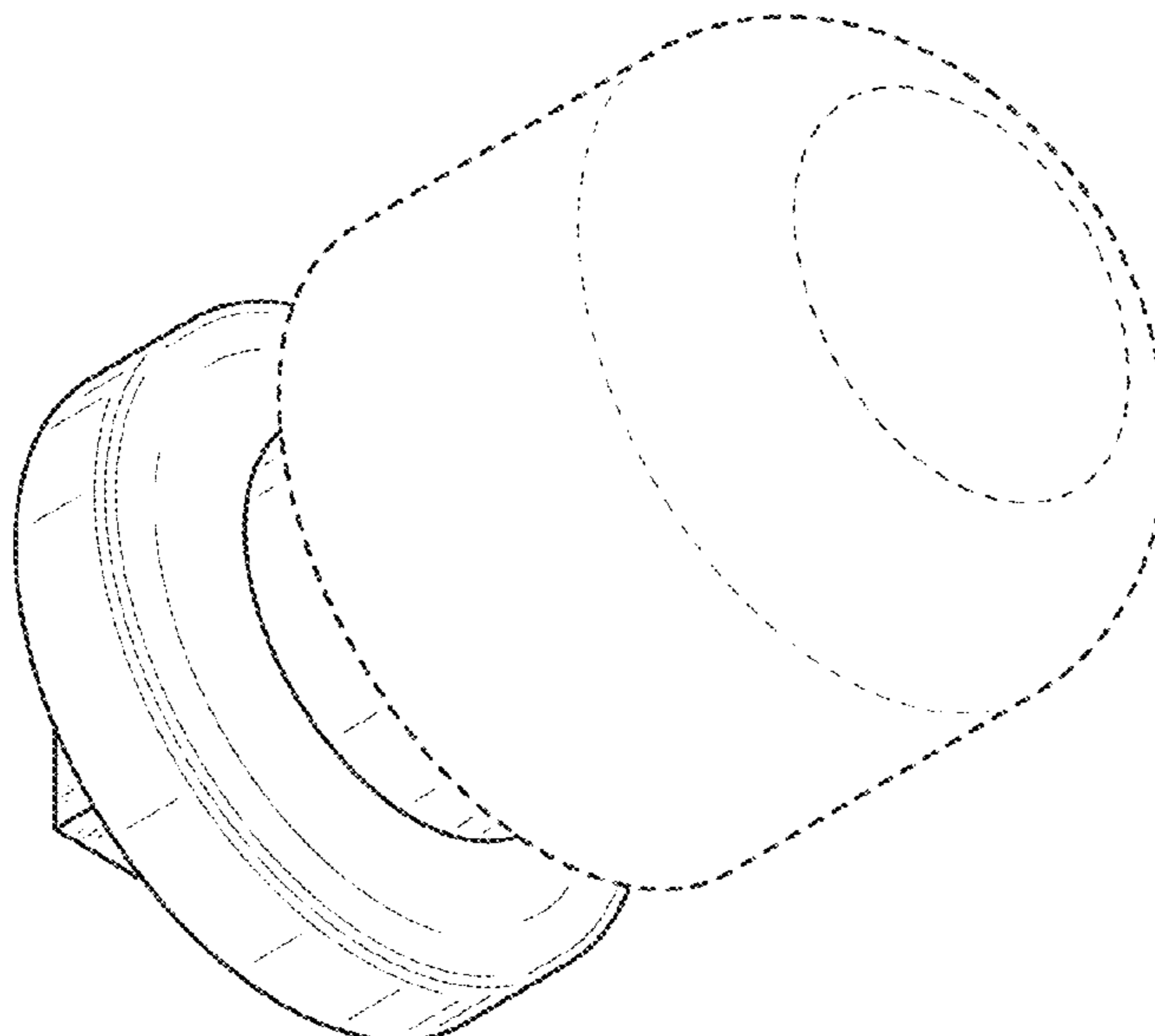
(57) **CLAIM**

The ornamental design for a peg, as shown and described.

DESCRIPTION

FIG. 1 is a bottom, front, right perspective view of a peg showing my new design;
 FIG. 2 is a top, rear, right perspective view thereof;
 FIG. 3 is a front view thereof;
 FIG. 4 is a rear view thereof;
 FIG. 5 is a right side view thereof;
 FIG. 6 is a left side view thereof;
 FIG. 7 is a top view thereof; and,
 FIG. 8 is a bottom view thereof.
 The broken lines shown in the drawings are for the purpose of illustrating portions of the peg, which form no part of the claimed design.

1 Claim, 5 Drawing Sheets



(56)

References Cited

U.S. PATENT DOCUMENTS

D557,541 S 12/2007 Corbell
 D564,865 S 3/2008 Johnson
 D565,927 S 4/2008 Krumpe
 D568,715 S 5/2008 Gustafson et al.
 D583,880 S 12/2008 Slater et al.
 D587,104 S 2/2009 McCammon
 D591,206 S 4/2009 Donner
 D592,255 S 5/2009 Tak
 D601,402 S 10/2009 Jackson
 D615,135 S 5/2010 Thorsen
 D615,605 S 5/2010 Frasco et al.
 8,808,151 B1 8/2014 Whaley
 8,998,782 B1 4/2015 Nelson
 D739,477 S * 9/2015 Simonds D21/487
 D757,613 S * 5/2016 Amidon D12/114
 D768,028 S * 10/2016 Ling D11/87
 D780,558 S * 3/2017 Mouthaan D8/354
 D780,930 S * 3/2017 Neel D24/184
 D781,385 S * 3/2017 Flick D21/694
 D796,590 S 9/2017 Crevits
 D798,128 S * 9/2017 Breeden, III D8/303
 9,782,000 B2 10/2017 Kahle et al.
 D807,446 S 1/2018 Meredith et al.
 D829,076 S * 9/2018 Dulley D8/310
 D857,132 S * 8/2019 Dube D21/694
 D890,942 S * 7/2020 Wersland D24/211
 D890,943 S * 7/2020 Wersland D24/211
 D892,238 S * 8/2020 Dunahay D21/694
 D903,464 S * 12/2020 Groleski D8/310
 D904,636 S * 12/2020 Delassus D24/214
 D906,805 S * 1/2021 Guduru D9/439
 D910,870 S * 2/2021 Marton D24/215
 D918,404 S * 5/2021 Wersland D24/211
 D918,405 S * 5/2021 Wersland D24/211

D926,539 S * 8/2021 Ying D8/14
 D927,716 S * 8/2021 Wersland D24/215
 D927,717 S * 8/2021 Wersland D24/215
 D929,217 S * 8/2021 Sutliff, II D8/394
 D931,492 S * 9/2021 Li D24/215
 2005/0113225 A1 * 5/2005 Dovner A63B 21/0004
 482/121
 2005/0133473 A1 6/2005 Lesperance
 2010/0130335 A1 5/2010 Hoobler
 2013/0172157 A1 7/2013 Glickstein et al.
 2015/0069103 A1 3/2015 Fife
 2015/0083681 A1 3/2015 Childs
 2015/0126342 A1 * 5/2015 Kaye A63B 21/00065
 482/121
 2015/0126346 A1 * 5/2015 Kaye A63B 21/00069
 482/129
 2018/0193713 A1 * 7/2018 Lo A63B 69/16
 2018/0333609 A1 * 11/2018 Zerbo A63B 21/0428
 2019/0126087 A1 * 5/2019 Schmidt A63B 71/0054

OTHER PUBLICATIONS

Product listing for Rogue Monster Sandwich J-Cups from <https://web.archive.org/web/20160914012749/http://www.roguefitness.com:80/rogue-monster-sandwich-j-cups>, dated Sep. 14, 2016.
 Product listing for Titan Fitness Horizontal Wall Mounted 6 Barbell Gun Rack from <https://web.archive.org/web/20170831211533/https://www.titan.fitness/wall-mounted-6-barbell-gun-rack.html>, dated Aug. 31, 2017.
 Product listing for Rogue V2 Gun Rack from <https://web.archive.org/web/20161015145440/http://www.roguefitness.com:80/the-rogue-gun-rack>, dated Oct. 15, 2016.
 Internet Search URL <https://www.roguefitness.com/rogue-monster-keyhole-gun-rack>[Date Searched Dec. 3, 2019] (Year 2019).

* cited by examiner

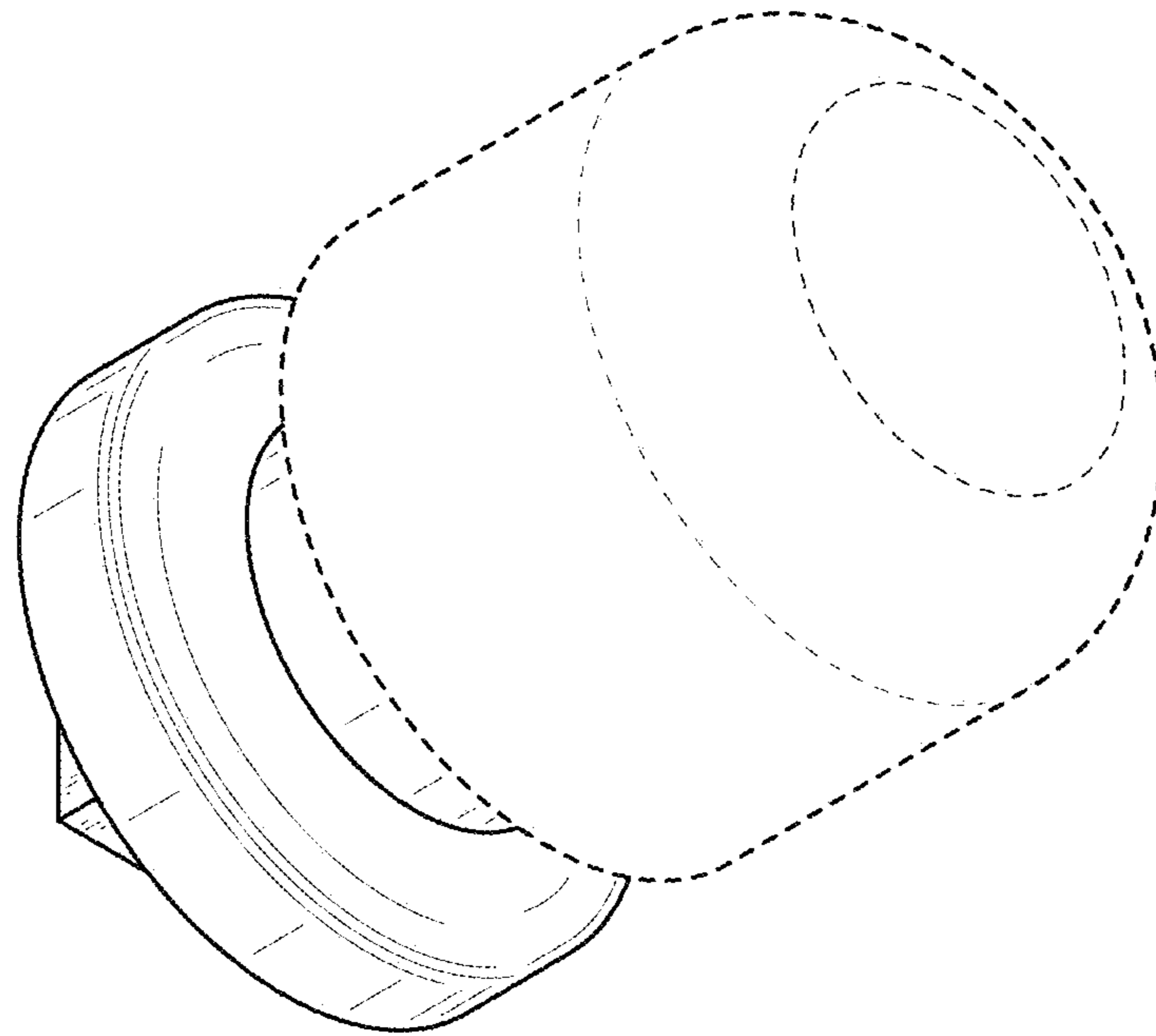


FIG. 1

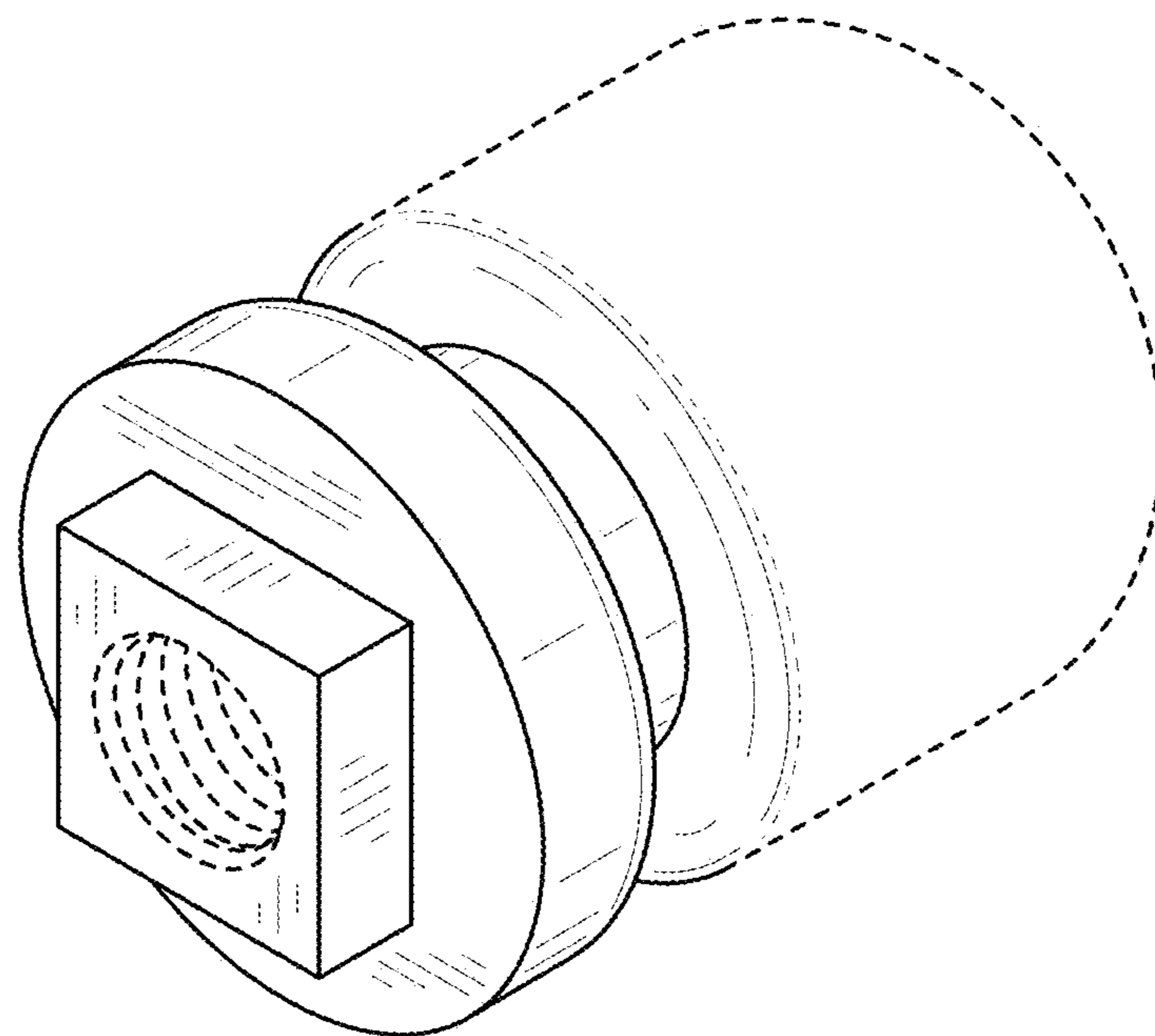


FIG. 2

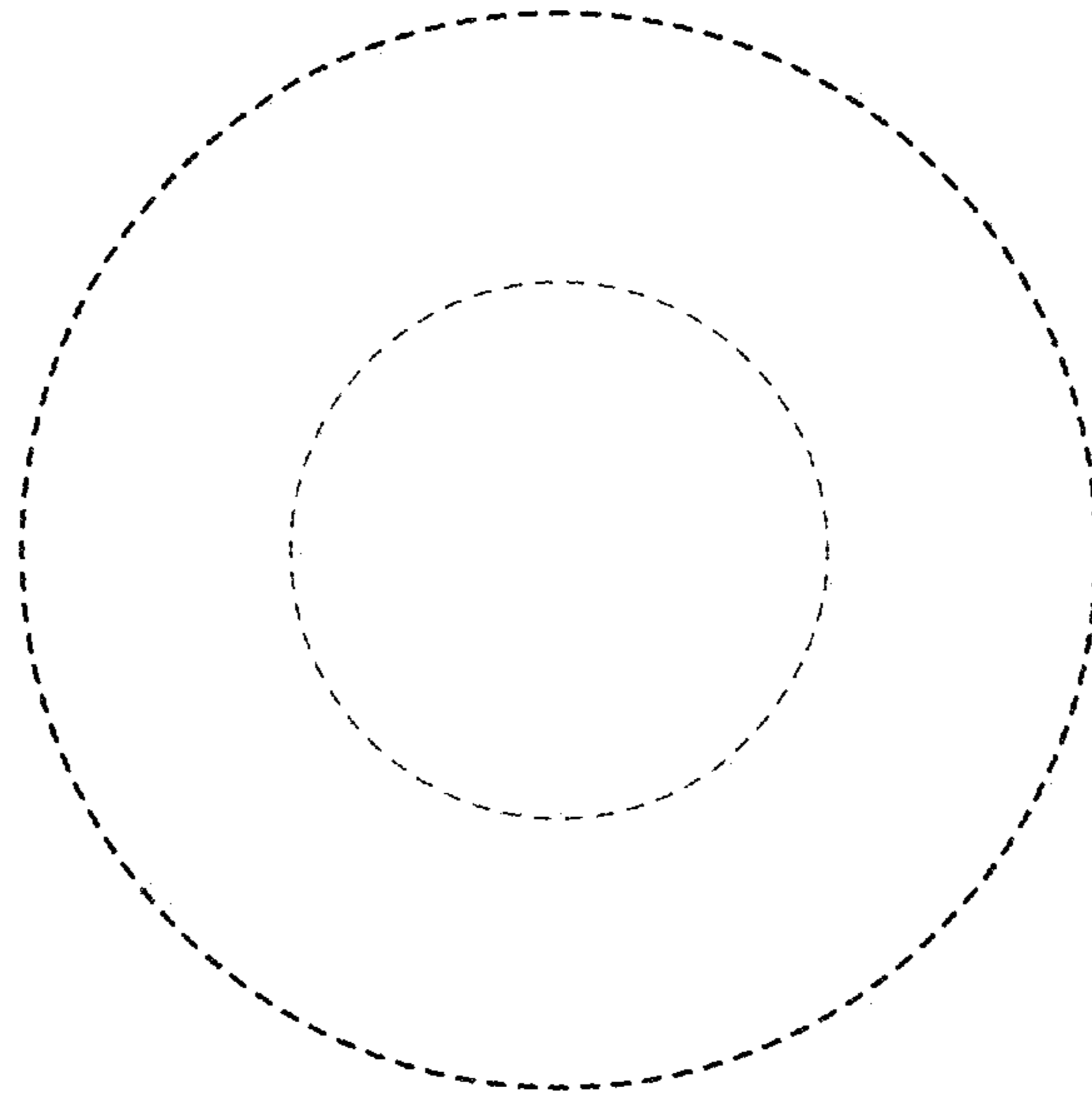


FIG. 3

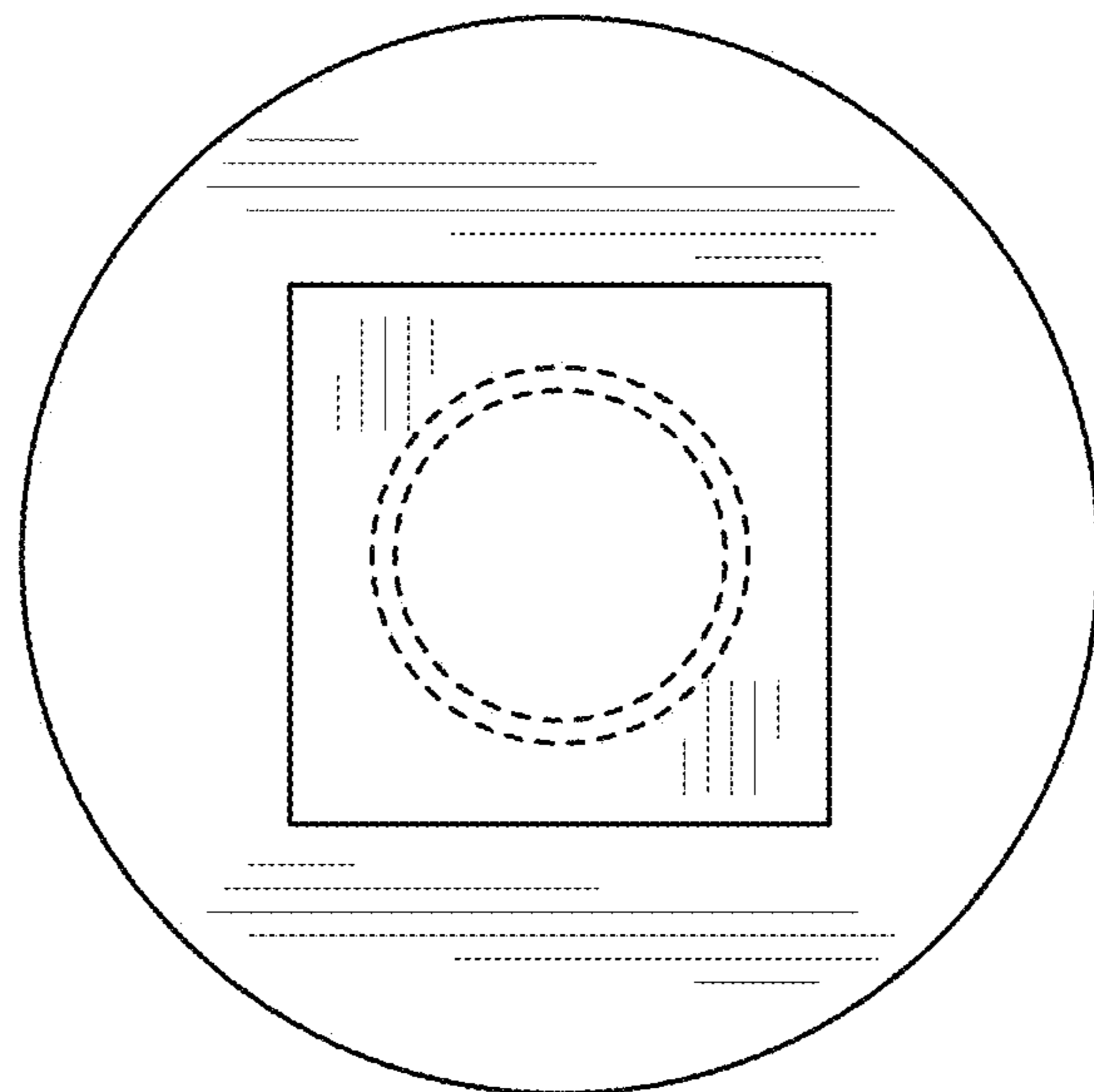


FIG. 4

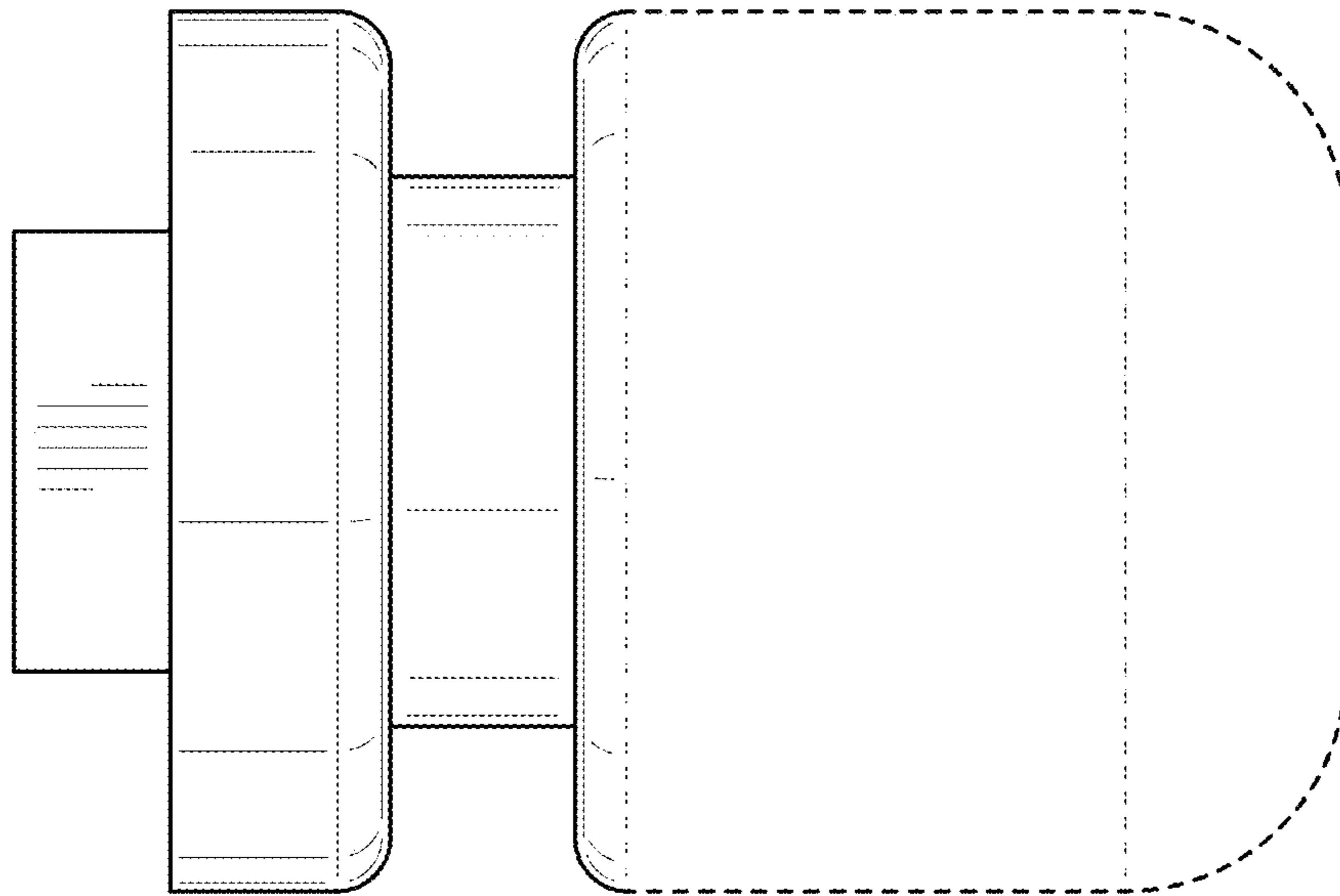


FIG. 5

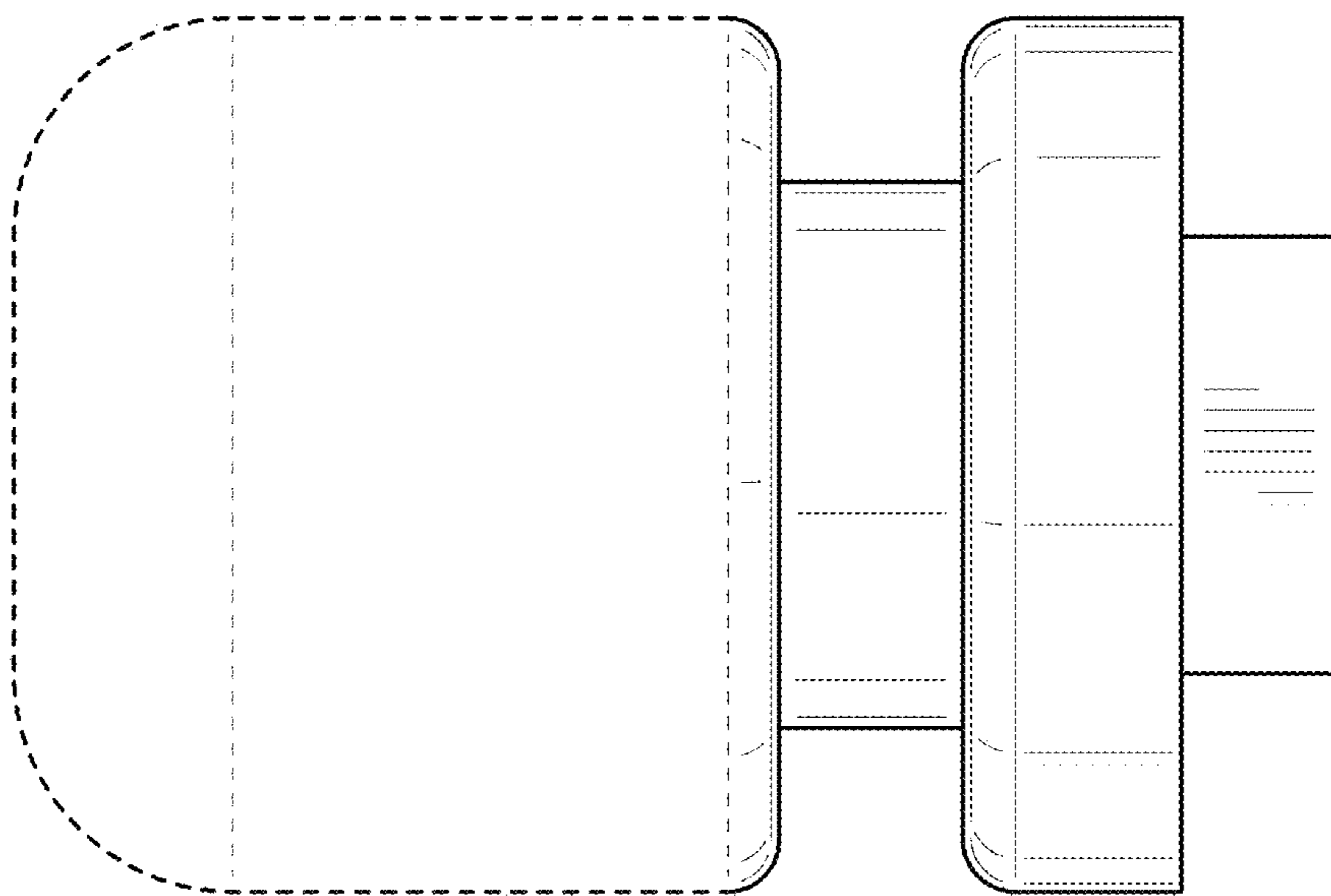


FIG. 6

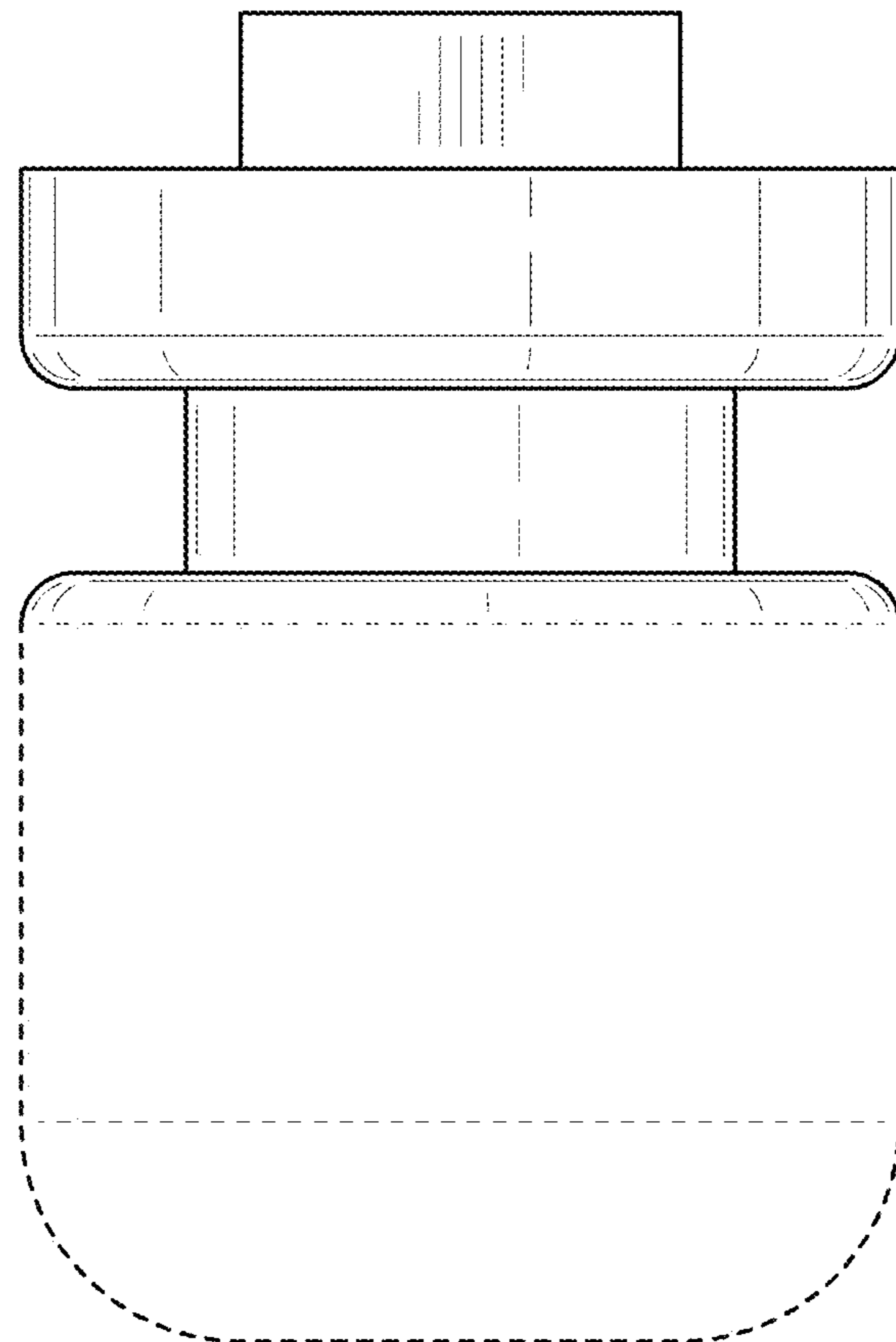


FIG. 7

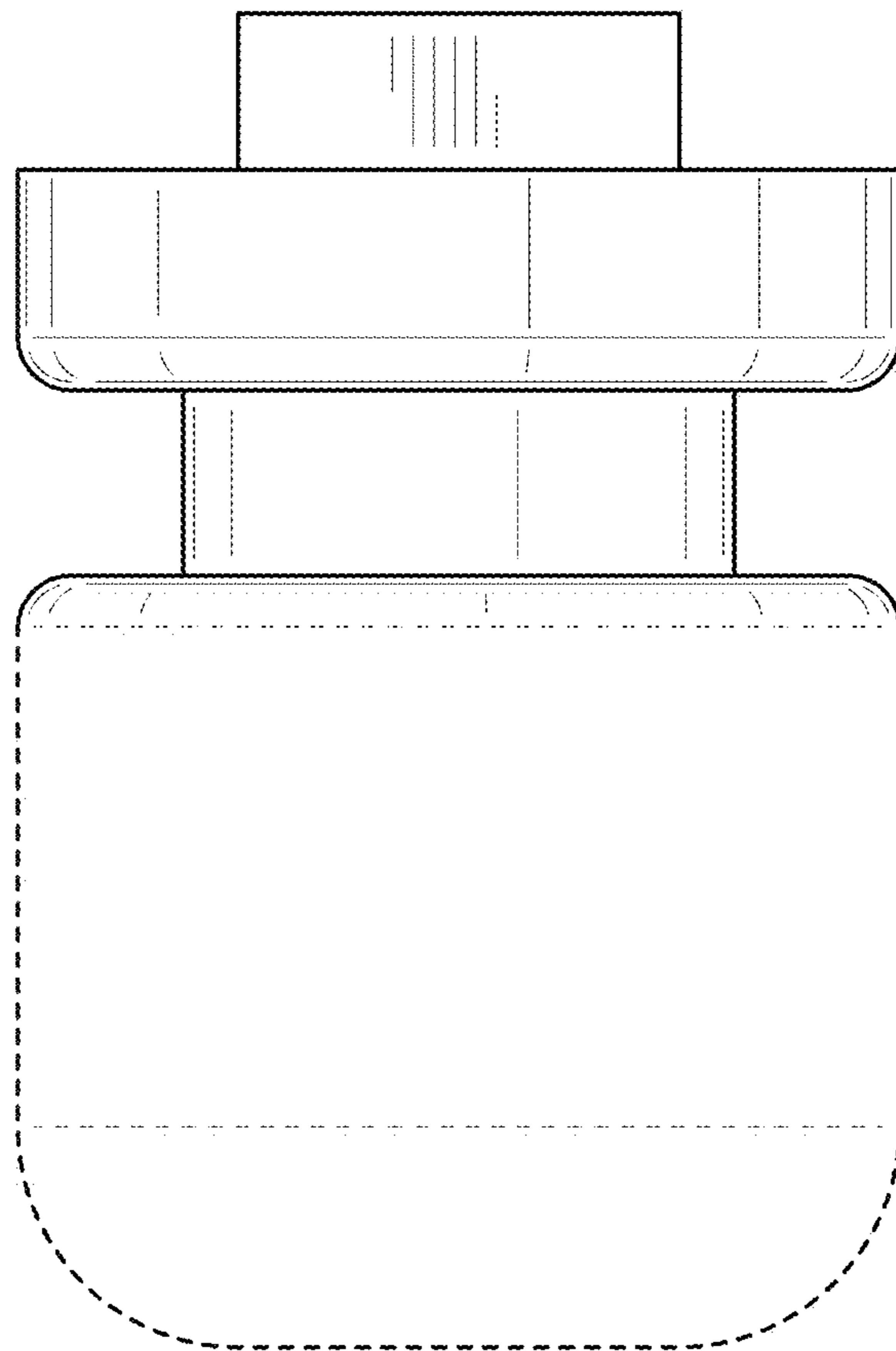


FIG. 8