



US00D949265S

(12) **United States Design Patent**  
**Dunahay**

(10) **Patent No.:** **US D949,265 S**  
(45) **Date of Patent:** **\*\* Apr. 19, 2022**

(54) **WALL MOUNT FOR EXERCISE RACK**

4,323,236 A 4/1982 Szabo  
D264,756 S 6/1982 Andersson  
D265,111 S 6/1982 Lynn  
(Continued)

(71) Applicant: **Coulter Ventures, LLC.**, Columbus,  
OH (US)

(72) Inventor: **Nash Dunahay**, Blacklick, OH (US)

FOREIGN PATENT DOCUMENTS

(73) Assignee: **Coulter Ventures, LLC.**, Columbus,  
OH (US)

CN 202812711 U 3/2013  
EP 2400205 A1 12/2011  
(Continued)

(\*) Notice: Patent file contains an affidavit/declaration  
under 37 CFR 1.130(b).

OTHER PUBLICATIONS

(\*\*) Term: **15 Years**

Screenshot of Level Mount tv mount from <https://www.youtube.com/watch?v=YUVvZr3qTrc>, dated Mar. 26, 2012, accessed Jun. 2, 2020.

(21) Appl. No.: **29/737,288**

(Continued)

(22) Filed: **Jun. 8, 2020**

*Primary Examiner* — Michael A Maharajh

(74) *Attorney, Agent, or Firm* — Banner & Witcoff, Ltd.

**Related U.S. Application Data**

(63) Continuation of application No. 29/650,246, filed on  
Jun. 5, 2018, now Pat. No. Des. 886,920.

(51) **LOC (13) Cl.** ..... **21-02**

(52) **U.S. Cl.**  
USPC ..... **D21/694**; D21/686

(58) **Field of Classification Search**  
USPC ..... D21/662, 673, 686, 691, 694, 826;  
D25/62, 66, 68, 119, 126, 136; D6/329;  
D8/323, 354  
CPC ..... A63B 21/00047; A63B 21/078; A63B  
21/169; A63B 71/023  
See application file for complete search history.

(57) **CLAIM**

The ornamental design for a wall mount for exercise rack, as  
shown and described.

**DESCRIPTION**

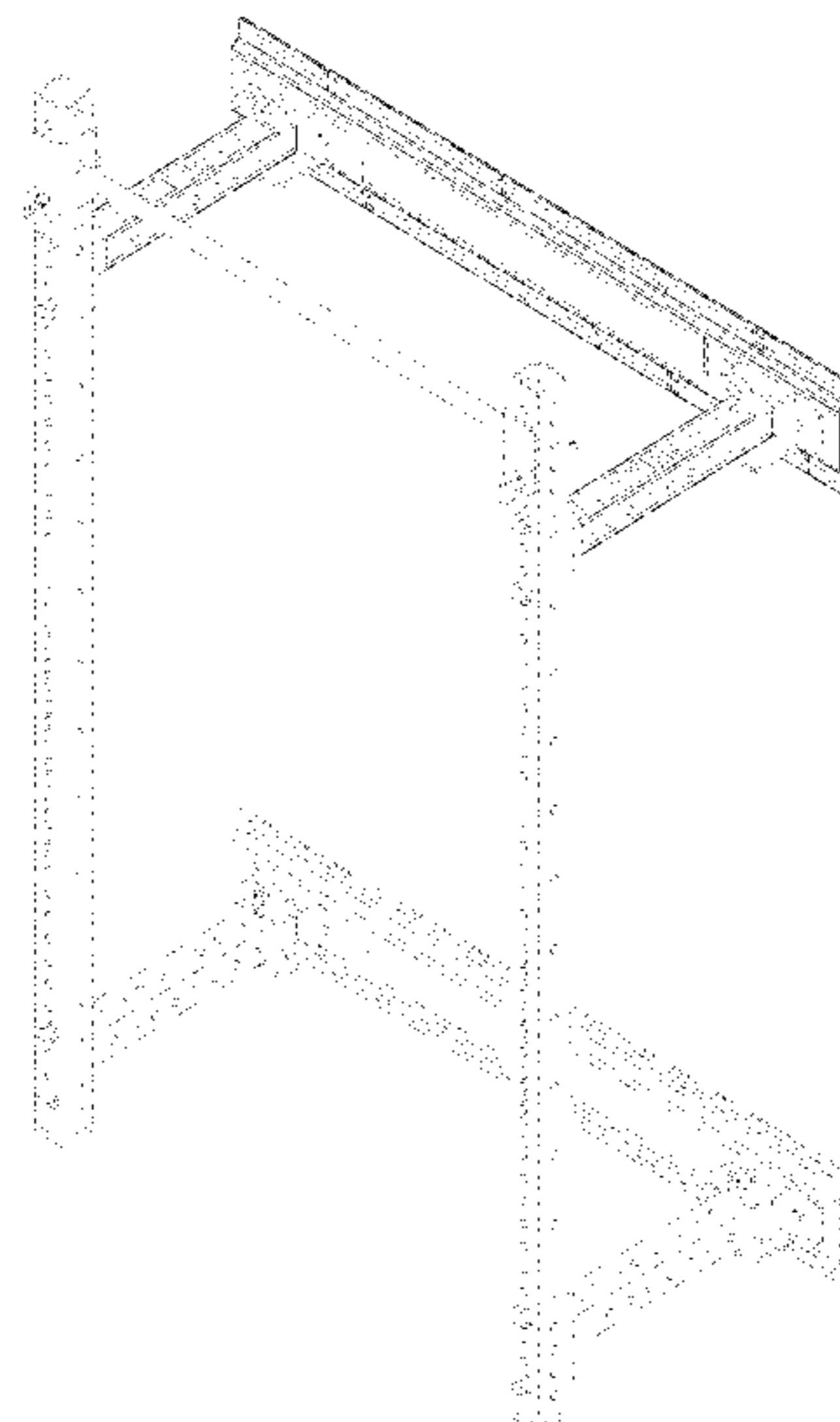
FIG. 1 is a top, front, right perspective view of a wall mount  
for exercise rack showing my new design;  
FIG. 2 is a top, front, left perspective view thereof;  
FIG. 3 is a top view thereof;  
FIG. 4 is a cross-sectional view thereof at 4-4 in FIG. 2;  
FIG. 5 is a right side view thereof;  
FIG. 6 is a left side view thereof;  
FIG. 7 is a front view thereof; and,  
FIG. 8 is a bottom, front, right perspective view thereof.  
The broken lines immediately adjacent to the shaded area  
are directed to boundary lines which form no part of the  
claimed design. The broken lines in the drawings are for the  
purpose of illustrating portions of the wall mount for exer-  
cise rack and form no part of the claimed design.

(56) **References Cited**

U.S. PATENT DOCUMENTS

1,410,149 A 3/1922 Williams  
2,855,200 A 10/1958 Blickman  
D210,469 S 3/1968 Sejersen  
3,948,513 A \* 4/1976 Pfothenhauer ..... A63B 17/04  
482/142  
4,111,414 A 9/1978 Roberts  
D259,512 S 6/1981 Hallen

**1 Claim, 8 Drawing Sheets**



# US D949,265 S

(56)

## References Cited

			8,834,329 B2 *	9/2014	Kelly ..... A63B 21/0783 482/104
			8,876,672 B2 *	11/2014	Schiano ..... A63B 21/078 482/94
U.S. PATENT DOCUMENTS					
D269,691 S	7/1983	Ornstein et al.	D718,883 S	12/2014	Thrush et al.
D273,334 S	4/1984	Young	D718,884 S	12/2014	Thrush et al.
D273,619 S	4/1984	Young	8,992,395 B2	3/2015	Orakwusi
D273,711 S	5/1984	Young	9,011,298 B2	4/2015	Bonomi
D273,997 S	5/1984	Ryan	9,044,629 B2	6/2015	Ross
D276,656 S	12/1984	Lindstrom	D734,410 S	7/2015	Childs et al.
4,527,797 A *	7/1985	Slade, Jr. .... A63B 21/0626 482/101	D735,820 S	8/2015	Alenaddaf
			D735,821 S	8/2015	Alenaddaf
D285,047 S *	8/1986	Dean ..... D8/349	D742,540 S	11/2015	Singh
D290,033 S	5/1987	PolICASTRO	D742,543 S	11/2015	Singh
D297,957 S	10/1988	Gordon, III	9,192,799 B2	11/2015	Alenaddaf
4,934,693 A	6/1990	Santoro	9,289,638 B2 *	3/2016	Towley, III ..... A63B 23/1218
4,961,295 A	10/1990	Kosch, Sr. et al.	9,308,410 B2	4/2016	Beaver et al.
5,046,722 A	9/1991	Antoon	D757,531 S	5/2016	Rusher
5,135,077 A	8/1992	Shalders	9,333,387 B2 *	5/2016	Hopperstad ..... A63B 21/4035
5,184,992 A	2/1993	Banks	D764,607 S	8/2016	Beckford et al.
5,273,506 A	12/1993	Dawson, Jr.	9,409,048 B1	8/2016	Hopperstad et al.
D344,601 S	2/1994	Jenkins et al.	9,427,611 B1	8/2016	Balentine
5,290,209 A	3/1994	Wilkinson	9,492,701 B1	11/2016	Bognatz
5,306,220 A	4/1994	Kearney	9,498,670 B1	11/2016	Hopperstad et al.
D355,005 S	1/1995	VooHanel, Jr.	9,517,382 B2	12/2016	Payne
D358,623 S	5/1995	Macasieb	9,649,525 B2	5/2017	Hopperstad et al.
5,669,859 A	9/1997	Liggett et al.	9,675,829 B1	6/2017	Katz
5,776,033 A	7/1998	Brown	9,700,761 B2	7/2017	Beaver et al.
D408,480 S	4/1999	Haugo	D799,306 S	10/2017	Lee et al.
6,116,550 A	9/2000	Forbes	D801,547 S	10/2017	Lopez
6,129,651 A	10/2000	Denaro	D802,164 S	11/2017	Lopez
6,220,988 B1	4/2001	Williams	9,844,691 B2	12/2017	Hopperstad et al.
6,379,287 B1 *	4/2002	Slawinski ..... A63B 21/00181 482/104	9,868,006 B1	1/2018	Epler
			D816,173 S	4/2018	Jackson
6,554,338 B1	4/2003	Spence	D817,520 S	5/2018	Gonzales
D484,617 S	12/2003	Micheals	9,993,678 B2	6/2018	Hopperstad et al.
D486,020 S	2/2004	Hoernig	10,004,933 B2 *	6/2018	Lennox ..... A63B 21/22
D486,337 S	2/2004	Hoernig	10,086,226 B2 *	10/2018	Nelson ..... A63B 21/4035
D507,352 S	7/2005	Vanderbrugghen	D836,617 S	12/2018	Shu
D514,857 S	2/2006	Hoernig	10,226,661 B2	3/2019	Henniger et al.
D517,085 S	3/2006	Deuschle	D852,907 S	7/2019	Sergakis
D523,322 S	6/2006	Thurston et al.	D853,587 S	7/2019	Jackson et al.
D525,668 S	7/2006	Payne	D853,588 S	7/2019	Jackson et al.
D554,209 S	10/2007	Loucks	D853,589 S	7/2019	Jackson et al.
7,316,379 B1	1/2008	Graham	D854,635 S	7/2019	Dunahay
7,374,516 B2	5/2008	Lundquist	D857,241 S	8/2019	Sakamoto et al.
7,488,277 B1 *	2/2009	Knapp ..... A63B 21/078 482/104	D858,721 S *	9/2019	Gori ..... D23/267
			10,471,293 B2 *	11/2019	George ..... A63B 23/0405
7,523,907 B2	4/2009	Chen	D869,688 S	12/2019	Lanzafame
D593,169 S	5/2009	Storch	D875,222 S *	2/2020	Gori ..... D23/267
7,534,200 B1	5/2009	Martinez	D875,898 S *	2/2020	Gori ..... D23/267
7,549,950 B1	6/2009	Lundquist et al.	D879,216 S	3/2020	Dunahay
D596,761 S	7/2009	Beland	D879,217 S	3/2020	Dunahay
D613,883 S	4/2010	Staten et al.	10,576,322 B2 *	3/2020	Schlegel ..... A63B 69/34
7,753,830 B1 *	7/2010	Marsh ..... A63B 23/03525 482/142	D883,405 S	5/2020	Dunahay
			10,646,740 B2 *	5/2020	Lee ..... A63B 21/156
7,892,158 B2	2/2011	Varga	D886,920 S	6/2020	Dunahay
D635,206 S	3/2011	Henniger	D888,851 S	6/2020	Dunahay
D636,038 S	4/2011	Henniger	10,709,921 B2 *	7/2020	Risacher ..... A63B 17/04
D636,039 S	4/2011	Henniger	D892,239 S *	8/2020	Carmichael ..... D21/694
D636,040 S	4/2011	Henniger	D898,137 S *	10/2020	Carmichael ..... D21/686
D639,585 S	6/2011	Shen et al.	10,806,963 B2 *	10/2020	Staten ..... A63B 21/4029
D639,586 S	6/2011	Selinger et al.	D903,019 S *	11/2020	Sotis ..... D21/686
D639,587 S	6/2011	Selinger et al.	10,864,401 B2 *	12/2020	Schween ..... A63B 1/00
8,047,972 B1	11/2011	Dean et al.	D906,740 S *	1/2021	Parab ..... D6/675.5
8,079,915 B2	12/2011	Spencer et al.	D907,946 S *	1/2021	Parab ..... D6/675.5
8,083,191 B2	12/2011	Lai et al.	D909,192 S *	2/2021	Koelling ..... A47F 5/10 D8/382
D659,854 S	5/2012	Kligman	D915,534 S *	4/2021	Adams ..... D21/694
D660,984 S	5/2012	Kotin et al.	D922,809 S *	6/2021	Parab ..... D6/675.5
D661,412 S	6/2012	Kligman	D928,253 S *	8/2021	Dunahay ..... D21/686
8,206,270 B2	6/2012	Skipper	11,103,739 B2 *	8/2021	Shaw, Jr. .... A63B 21/0726
8,206,273 B2	6/2012	Skipper	11,123,595 B2 *	9/2021	Henniger ..... A63B 21/169
8,323,158 B2	12/2012	Keiser	2001/0034289 A1	10/2001	Parrillo
8,328,698 B1	12/2012	Webber et al.	2002/0082145 A1	6/2002	Hamilton
D682,955 S	5/2013	Stephan	2002/0123415 A1	9/2002	Marques
8,500,608 B1	8/2013	Bonomi	2003/0222041 A1	12/2003	Hong et al.
8,517,900 B1	8/2013	Britt	2005/0130806 A1	6/2005	Lopez
D703,773 S	4/2014	Henry	2005/0250619 A1	11/2005	Daikeler et al.
D711,021 S	8/2014	Singh			

(56)

References Cited

U.S. PATENT DOCUMENTS

2006/0003875 A1 1/2006 Sharps  
 2006/0065800 A1 3/2006 Bremmon  
 2006/0145038 A1 7/2006 Chen  
 2007/0072750 A1 3/2007 Andrews  
 2007/0203002 A1 8/2007 Webber  
 2009/0105052 A1 4/2009 Dalebout et al.  
 2009/0124471 A1 5/2009 Storch  
 2010/0044536 A1 2/2010 Huang  
 2010/0048368 A1 2/2010 Donofrio  
 2010/0171017 A1 7/2010 Chang  
 2011/0245040 A1 10/2011 Skipper  
 2011/0248128 A1 10/2011 Oh  
 2012/0046150 A1 2/2012 Stacey  
 2012/0094812 A1 4/2012 Smiley  
 2012/0115683 A1 5/2012 Ross  
 2012/0329614 A1 12/2012 Schiano  
 2013/0178338 A1 7/2013 Ross  
 2013/0184124 A1 7/2013 Reed  
 2013/0237394 A1 9/2013 Fowler  
 2013/0260970 A1 10/2013 Moskowich  
 2013/0296143 A1 11/2013 Staten et al.  
 2014/0094347 A1 4/2014 Orakwusi  
 2014/0166834 A1 6/2014 Kuroyanagi et al.  
 2014/0221163 A1 8/2014 McBride et al.  
 2014/0256517 A1 9/2014 Poppinga  
 2014/0302968 A1 10/2014 Velikin et al.  
 2014/0371040 A1 12/2014 Vasquez et al.  
 2015/0016919 A1 1/2015 Tambornino et al.  
 2015/0059257 A1 3/2015 Beaver et al.  
 2015/0065316 A1 3/2015 Towley, III et al.  
 2015/0069257 A1 3/2015 Besson  
 2015/0076092 A1 3/2015 Tambornino et al.  
 2015/0126335 A1 5/2015 Gilson et al.  
 2015/0148197 A1 5/2015 Lentz et al.  
 2015/0202485 A1 7/2015 Towley, III et al.  
 2015/0264823 A1 9/2015 Shirley et al.  
 2015/0290488 A1 10/2015 Hopperstad et al.  
 2016/0023035 A1 1/2016 Meyer  
 2016/0250515 A1 9/2016 Hopperstad et al.  
 2016/0338512 A1 11/2016 Royak  
 2016/0339291 A1 11/2016 Hopperstad et al.  
 2017/0065844 A1 3/2017 Hopperstad et al.  
 2017/0072260 A1 3/2017 Jackson  
 2017/0150786 A1 6/2017 Ness et al.  
 2017/0189736 A1 7/2017 Martin  
 2017/0209733 A1 7/2017 Beaver et al.  
 2017/0239512 A1 8/2017 Brasch et al.  
 2017/0246490 A1 8/2017 Hopperstad et al.  
 2017/0246496 A1 8/2017 Nelson et al.  
 2017/0259101 A1 9/2017 Im  
 2018/0028852 A1 2/2018 Beaver et al.  
 2018/0036573 A1 2/2018 Lennox et al.  
 2018/0056108 A1 3/2018 Kelly  
 2018/0056116 A1 3/2018 Le Nguyen  
 2018/0104522 A1 4/2018 Hopperstad et al.  
 2018/0117382 A1 5/2018 Johanson et al.  
 2018/0140922 A1 5/2018 Greer  
 2018/0142832 A1 5/2018 Inouye  
 2018/0153305 A1 6/2018 Haines  
 2018/0154234 A1 6/2018 Pack et al.  
 2018/0178051 A1 6/2018 Shaw, Jr.  
 2018/0185694 A1 7/2018 Schween  
 2018/0243597 A1 8/2018 Schlegel  
 2018/0318635 A1 11/2018 Lee  
 2018/0326250 A1\* 11/2018 Henniger ..... A63B 23/1218  
 2019/0046835 A1 2/2019 Henniger et al.  
 2019/0126088 A1 5/2019 Henniger et al.  
 2019/0240521 A1 8/2019 Staten  
 2019/0269992 A1 9/2019 Dunahay  
 2020/0114195 A1\* 4/2020 Henniger ..... A63B 21/0552  
 2020/0384337 A1\* 12/2020 Brasch ..... A63B 21/078  
 2020/0391070 A1\* 12/2020 Henniger ..... A47B 81/00  
 2021/0070368 A1 3/2021 Toda et al.  
 2021/0213321 A1\* 7/2021 Silveira ..... A63B 21/0724

FOREIGN PATENT DOCUMENTS

WO 2008054720 A2 5/2008  
 WO 2009003280 A1 1/2009

OTHER PUBLICATIONS

Screenshot of Abt Electronics wall mount from <https://www.youtube.com/watch?v=XJEmJhEleH0>, dated Jun. 6, 2013, accessed Jun. 2, 2020.  
 Screenshot of Show Me CABLES ultra slim tv wall mount from <https://www.youtube.com/watch?v=UfcsWN7brCg>, dated Jun. 27, 2016, accessed Jun. 2, 2020.  
 Screenshot of Texonic Model LX67 wall mount from <https://www.youtube.com/watch?v=ojTXO9edjEc>, dated Jul. 5, 2017, accessed Jun. 2, 2020.  
 Screenshot of Sony SUWL450 wall mount from [https://www.amazon.co.uk/Sony-SUWL450-Wall-Mount/dp/B00IZEIZB4/ref=sr\\_1\\_20?keywords=Sony+Wall+Mount+Bracket&qid=1580915273&sr%E2%80%A6](https://www.amazon.co.uk/Sony-SUWL450-Wall-Mount/dp/B00IZEIZB4/ref=sr_1_20?keywords=Sony+Wall+Mount+Bracket&qid=1580915273&sr%E2%80%A6), dated Mar. 14, 2014.  
 Screenshot of Sony Duronic TV Bracket TV123M wall mount from [https://www.amazon.co.uk/dp/B001PHBZFQ/ref=psdc\\_1338216031\\_t4\\_B07MX3Q3NZ](https://www.amazon.co.uk/dp/B001PHBZFQ/ref=psdc_1338216031_t4_B07MX3Q3NZ), dated Jan. 12, 2009.  
 Screenshot of wall mounting bracket Dv5 from Hornung's Industrial Gas Catalogue, <http://my.page2flip.de/1672972/2178732/2178865/pdf/CatalogueforindustrialgascontrolequipmentHornungGmbH.pdf>, dated Jan. 2013.  
 Screenshot of wall mounting bracket D2 from Hornung's Industrial Gas Catalogue, <http://my.page2flip.de/1672972/2178732/2178865/pdf/CatalogueforindustrialgascontrolequipmentHornungGmbH.pdf>, dated Jan. 2013, accessed Feb. 6, 2020.  
 Screenshot of wall mounting bracket painted from Hornung's Industrial Gas Catalogue, <http://my.page2flip.de/1672972/2178732/2178865/pdf/CatalogueforindustrialgascontrolequipmentHornungGmbH.pdf>, dated Jan. 2013, accessed Feb. 6, 2020.  
 Screenshot of wall mounting bracket in stainless steel electropolishing from Hornung's Industrial Gas Catalogue, <http://my.page2flip.de/1672972/2178732/2178865/pdf/CatalogueforindustrialgascontrolequipmentHomungGmbH.pdf>, dated Jan. 2013, accessed Feb. 6, 2020.  
 Screenshot of wall mounting bracket in stainless steel, electropolishing, HP 550-552 from Hornung's Industrial Gas Catalogue, <http://my.page2flip.de/1672972/2178732/2178865/pdf/CatalogueforindustrialgascontrolequipmentHornungGmbH.pdf>, dated Jan. 2013, accessed Feb. 6, 2020.  
 Screenshot of Altecnic Expansion Vessel Bracket from [https://www.amazon.co.uk/dp/B00QVM4LCE/ref=sspa\\_dk\\_detail\\_0?psc=1&pd\\_rd\\_i=B00QVM4LCE&pd\\_rd\\_w=6dXas&pf\\_rd\\_p=1055d8b2-c10c-4%E2%80%A6](https://www.amazon.co.uk/dp/B00QVM4LCE/ref=sspa_dk_detail_0?psc=1&pd_rd_i=B00QVM4LCE&pd_rd_w=6dXas&pf_rd_p=1055d8b2-c10c-4%E2%80%A6), dated Dec. 11, 2014, accessed Feb. 5, 2020.  
 Screenshot of Reflex Winkelmann Wall Holder from <https://www.amazon.co.uk/Reflex-Winkelmann-7611000-Holder-25-Litre/dp/B0017UWL6I>, dated Dec. 13, 2012, accessed Feb. 5, 2020.  
 Design View Registered Community Design No. 002104463-0001, dated Sep. 17, 2012.  
 Design View Registered Community Design No. 00765862-0001, dated Jul. 27, 2007.  
 Design View Registered Community Design No. 000153796-0002, dated Feb. 25, 2004.  
 Screenshot of Mammoth Lite Folding Rack from BULLDOG Gear Instagram account, dated Jan. 11, 2018.  
 Screenshot of Folding Rack from Bulldog Gear Instagram account, dated Oct. 2, 2018.  
 Screenshot of wall bracket from Weinmann-Schanz, <http://web.archive.org/web/20170909025230/http://www.weinmann-schanz.de/de/Heizung/Neu-im-Sortiment/W%C3%A4rmeerzeuger-Speicher/pid.1143.1160/agid.90421.90432.105367/ecm.ag/Abstandsmontageplatten-f%C3%BCr-Wandkonsolen.html>, dated Sep. 9, 2017.  
 Screenshot of wall bracket from Weinmann-Schanz, <https://www.weinmann-schanz.de/de/Heizung/W%C3%A4rmeerzeuger-Speicher/Abgassysteme/Edelstahl-Abgassystem-Uni-DW->

(56)

## References Cited

## OTHER PUBLICATIONS

doppelwandig/Abstandsmontageplatten-f%C3%BCr-Wandkonsolen-sid134351.htm, accessed Feb. 6, 2020.

Screenshot of wall bracket from Weinmann-Schanz, <http://web.archive.org/web/20170529161506/http://www.weinmann-schanz.de:80/de/de/Heizung/Neu-im-Sortiment/W%C3%A4rmeerzeuger-Speicher/pid.1143.1160/agid.90421.90432.105379/ecm.ag/Abstandsmontageplatten-f%C3%BCr-Wandhalter.html>, dated May 29, 2017.

Screenshot of wall bracket from Weinmann-Schanz, <https://www.weinmann-schanz.de/de/de/Heizung/W%C3%A4rmeerzeuger-Speicher/Abgassysteme/Edelstahl-Abgassystem-Uni-DW-doppelwandig/Abstandsmontageplatten-f%C3%BCr-Wandhalter-sid182096.html>, accessed Feb. 11, 2020.

*Coulter Ventures LLC v Bulldog Gear Limited*, UK High Court (Eng. & Wales), Claim No. HP-2019-000054, Defence and Counterclaim, dated Feb. 13, 2020.

*Coulter Ventures LLC v Bulldog Gear Limited*, High Court (Eng. & Wales), Claim No. HP-2019-000054, Defendant's Initial Disclosure List of Documents, dated Feb. 12, 2020.

*Coulter Ventures LLC v Bulldog Gear Limited*, High Court (Eng. & Wales), Claim No. HP-2019-000054, Amended Defence and Counterclaim, dated Apr. 23, 2020.

*Coulter Ventures LLC v Bulldog Gear Limited*, High Court (Eng. & Wales), Claim No. HP-2019-000054, Amended Defendant's Initial Disclosure List of Documents, dated Apr. 23, 2020.

*Coulter Ventures LLC v Bulldog Gear Limited*, High Court (Eng. & Wales), Claim No. HP-2019-000054, Re-Amended Defence and Counterclaim, dated Feb. 4, 2021.

*Coulter Ventures LLC v Bulldog Gear Limited*, High Court (Eng. & Wales), Claim No. HP-2019-000054, Claim Form and Particulars of Claim, dated Dec. 18, 2019.

*Coulter Ventures LLC v Bulldog Gear Limited*, High Court (Eng. & Wales), Claim No. HP-2019-000054, Claimant's Initial Disclosure List of Documents, dated Dec. 18, 2019.

*Coulter Ventures LLC v Bulldog Gear Limited*, High Court (Eng. & Wales), Claim No. HP-2019-000054, Reply and Defence to Counterclaim, dated Apr. 2, 2020.

*Coulter Ventures LLC v Bulldog Gear Limited*, High Court (Eng. & Wales), Claim No. HP-2019-000054, Amended Claim Form and Amended Particulars of Claim, dated Dec. 23, 2020.

*Coulter Ventures LLC v Bulldog Gear Limited*, High Court (Eng. & Wales), Claim No. HP-2019-000054, Amended Reply and Defence to Counterclaim, dated Feb. 18, 2021.

Rogue product advertisement dated Dec. 3, 2015 (redacted).

Rogue fitness product video screenshots from <https://www.youtube.com/watch?v=TRpmZ68p5Hw>, dated Sep. 19, 2017.

Gorilla Fitness product advertisement dated Apr. 16, 2018 (redacted).

Bulldog Gear product advertisement dated Jan. 11, 2018.

Pure Strength product listing dated Sep. 6, 2018 from <https://www.pure-strength.com/collections/slim-gym-utility-plate>.

Titan Fitness product listing dated Sep. 6, 2018 from <https://www.titan.fitness/t-3-folding-power-rack-stringers.html>.

Titan Fitness product listing dated Sep. 6, 2018 from <https://www.titan.fitness/41-inch-deep-folding-wall-mount-rack.html> (product known to be available as of Mar. 2, 2016).

Product listing for Rogue V2 Face Mount Pull-up Bar for Monster Lite from <https://web.archive.org/web/20161105161238/https://www.roguefitness.com/rogue-v2-face-mount-pull-up-bar-for-monster-lite>, dated Nov. 5, 2016.

Jan. 11, 2019—(WO) ISR and WO—App No. PCT/US2018/059018.

Jun. 8, 2021—(CN) Office Action—App 201880085010.6.

Jul. 30, 2021—(EP) Extended European Search Report—App 18872756.4.

ROGUE Fitness: "Installing the RML-3W with the new Rogue Stringer", Sep. 19, 2017 (Sep. 19, 2017), XP054982060, Retrieved from the Internet: URL: <https://www.youtube.com/watch?v=TRpmZ68p5Hw> [retrieved on Jul. 13, 2021].

Dec. 14, 2021—(CN) 4th Office Action—App 201880085010.6.

\* cited by examiner

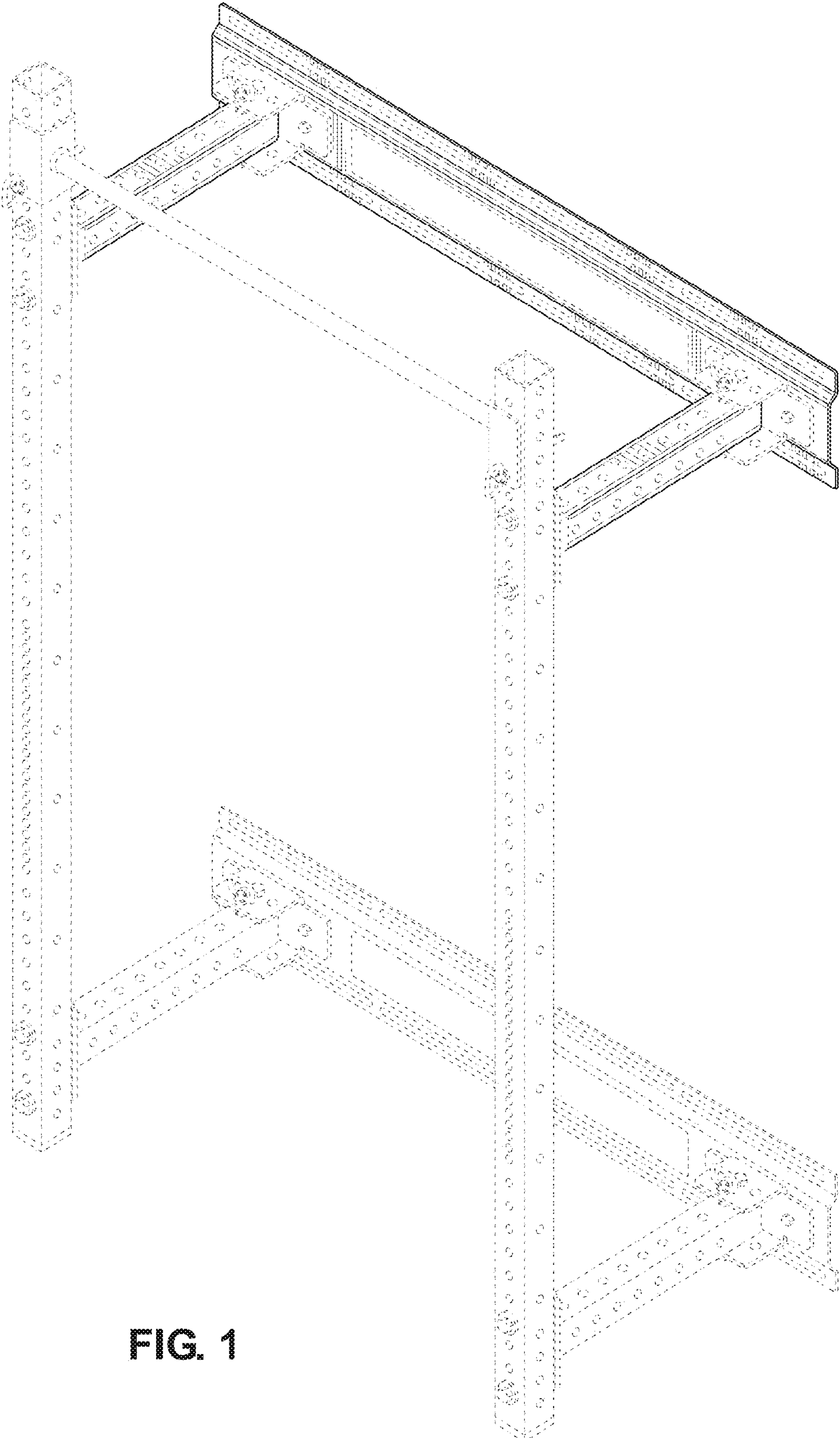


FIG. 1

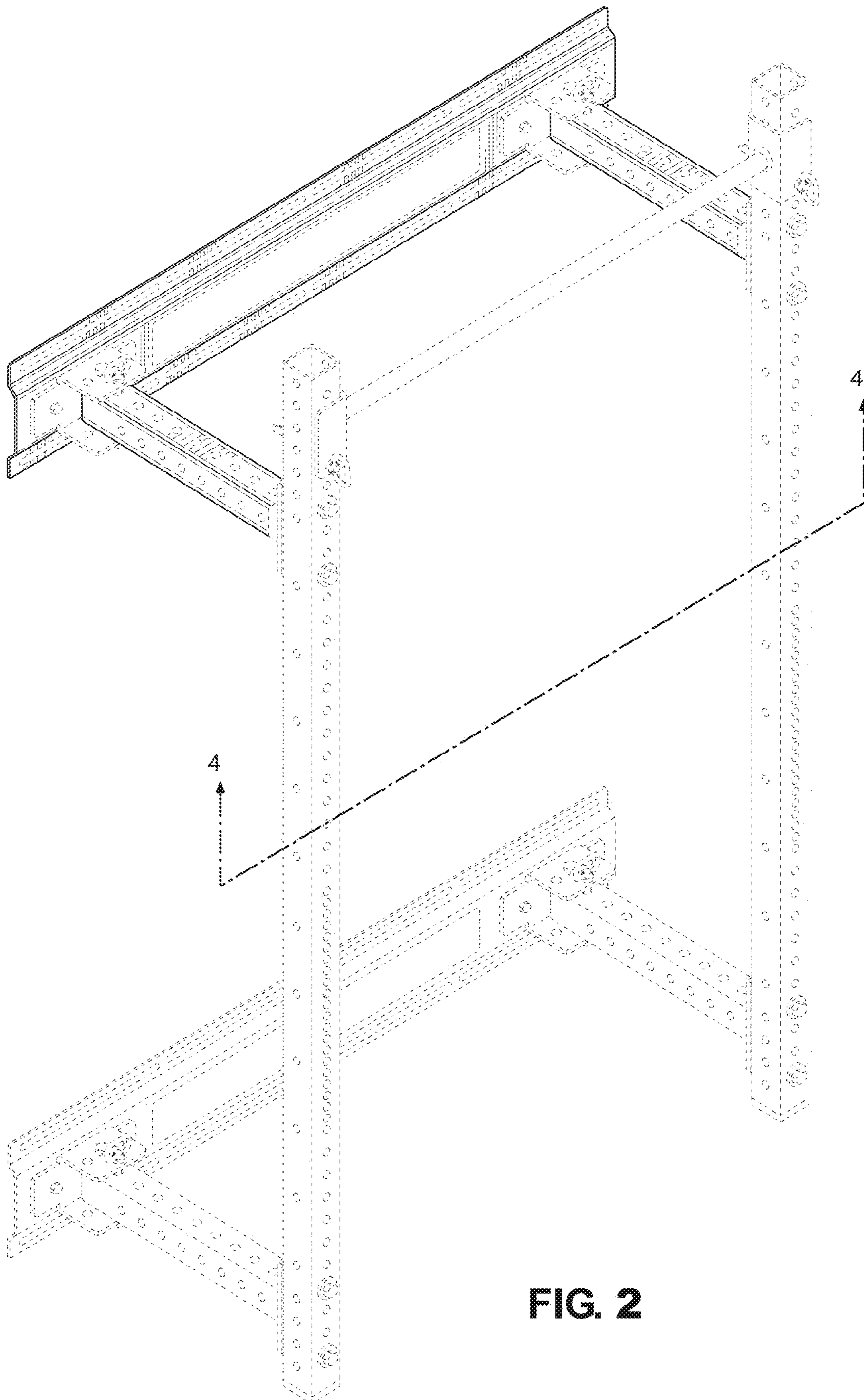


FIG. 2

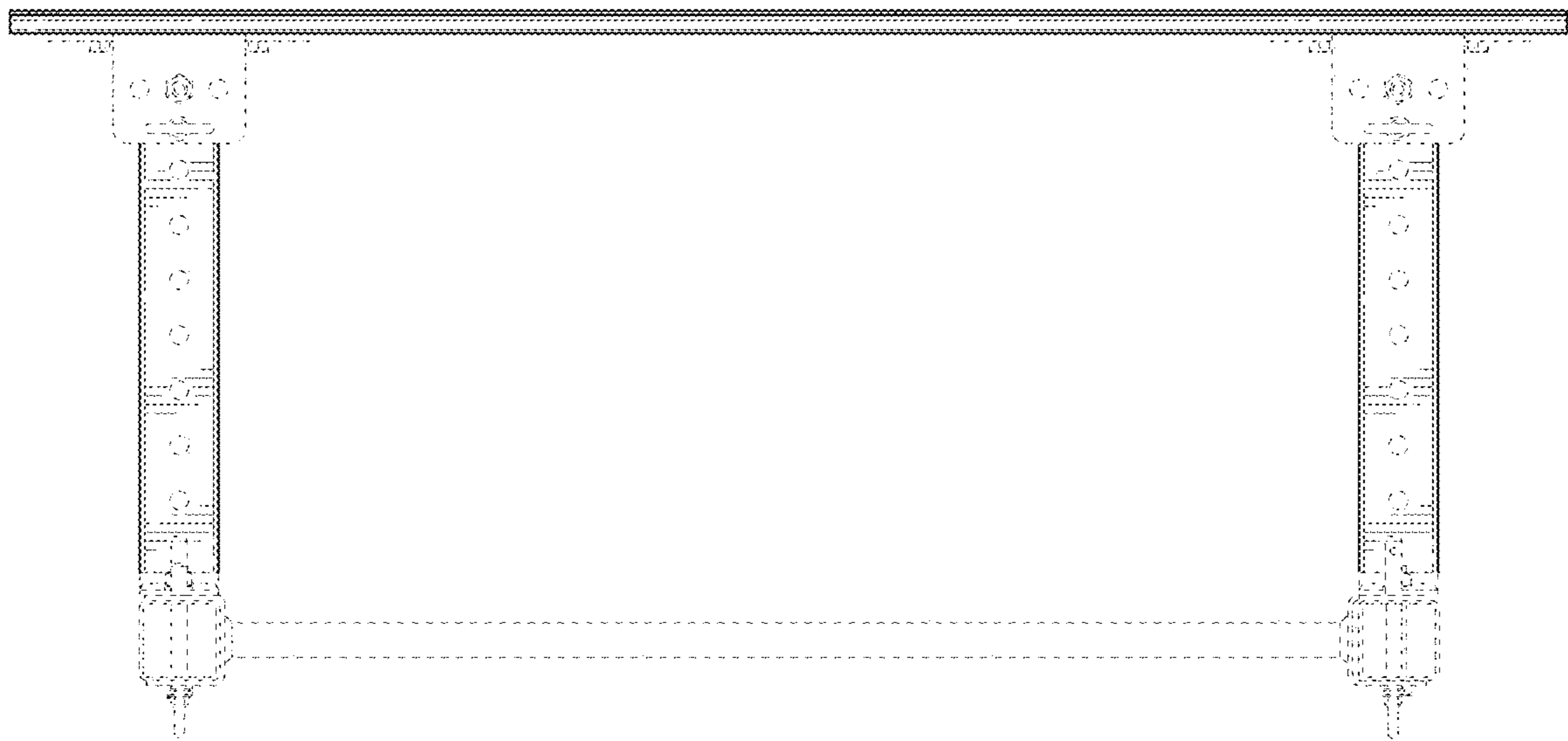
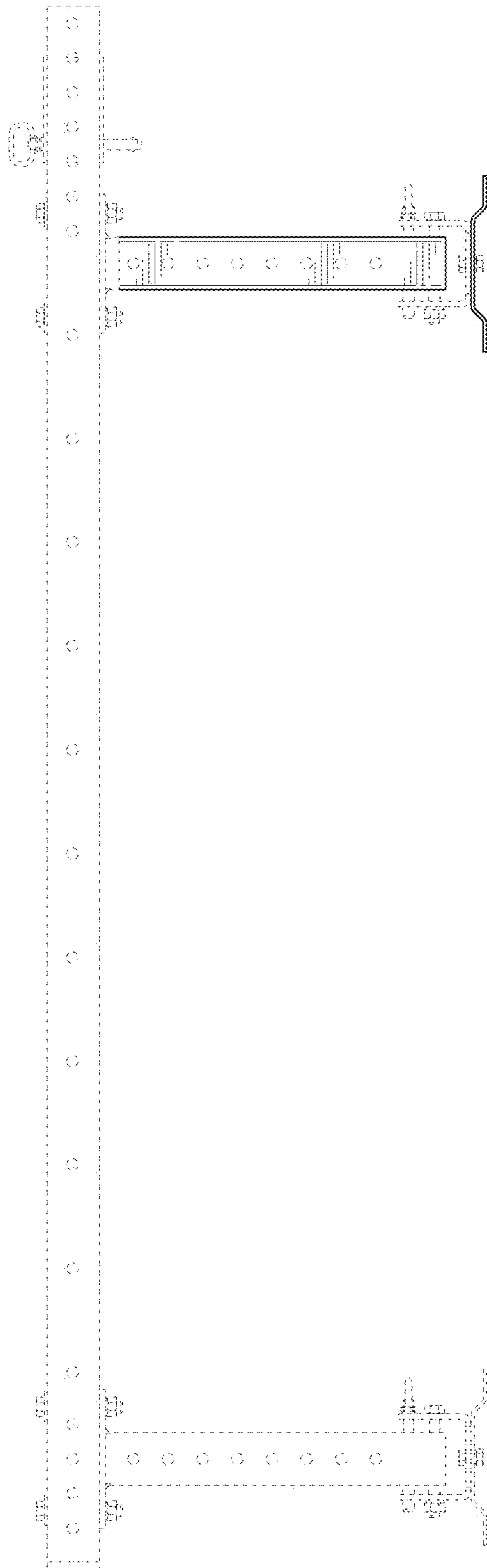


FIG. 3

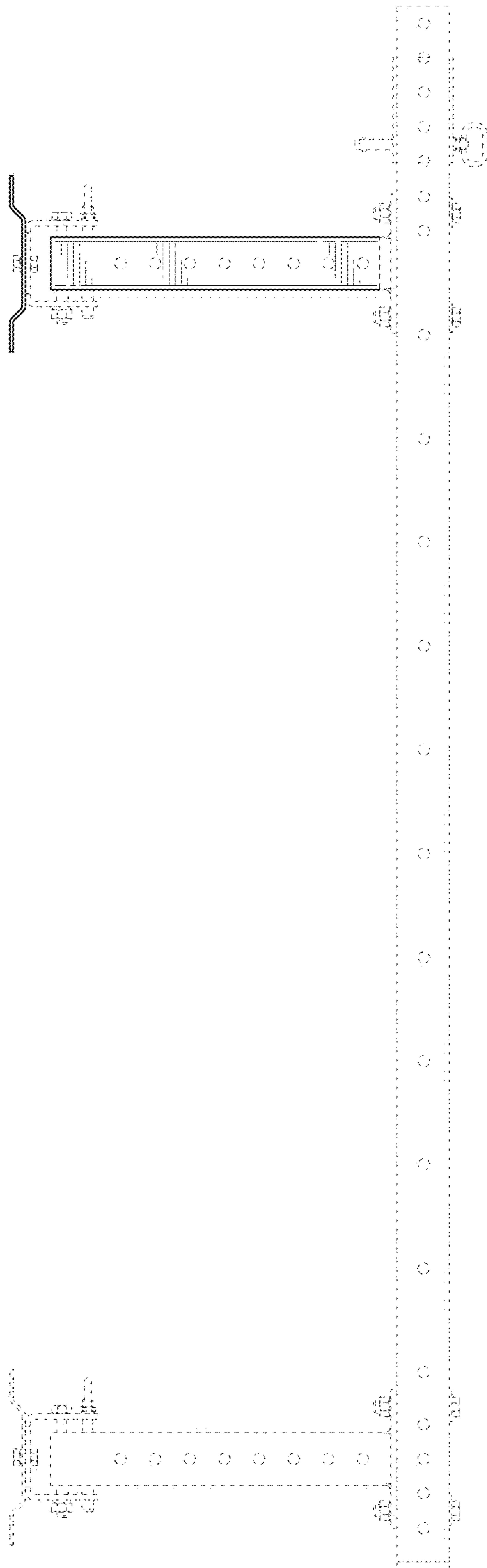


FIG. 4





**FIG. 5**



**FIG. 6**

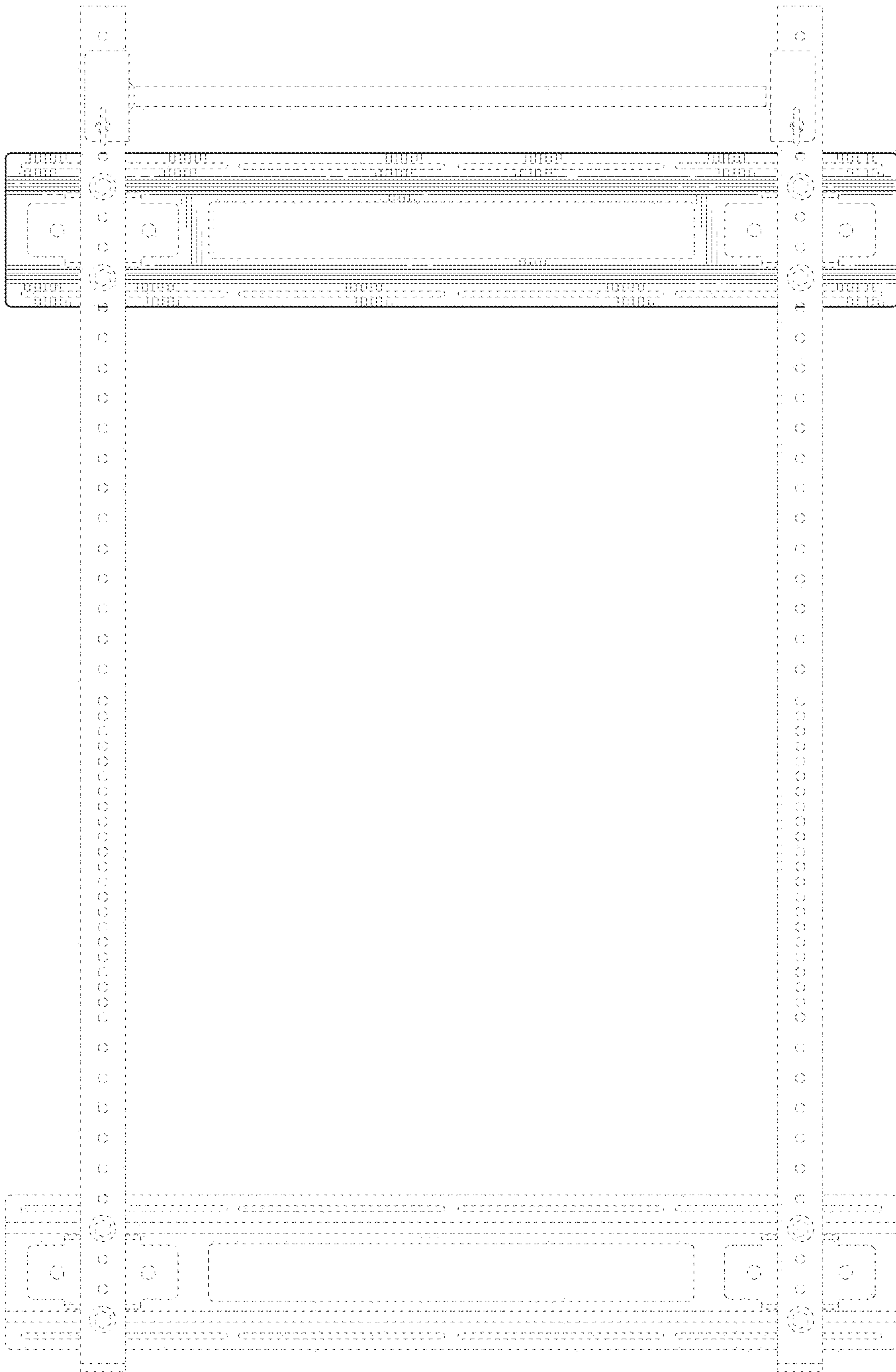
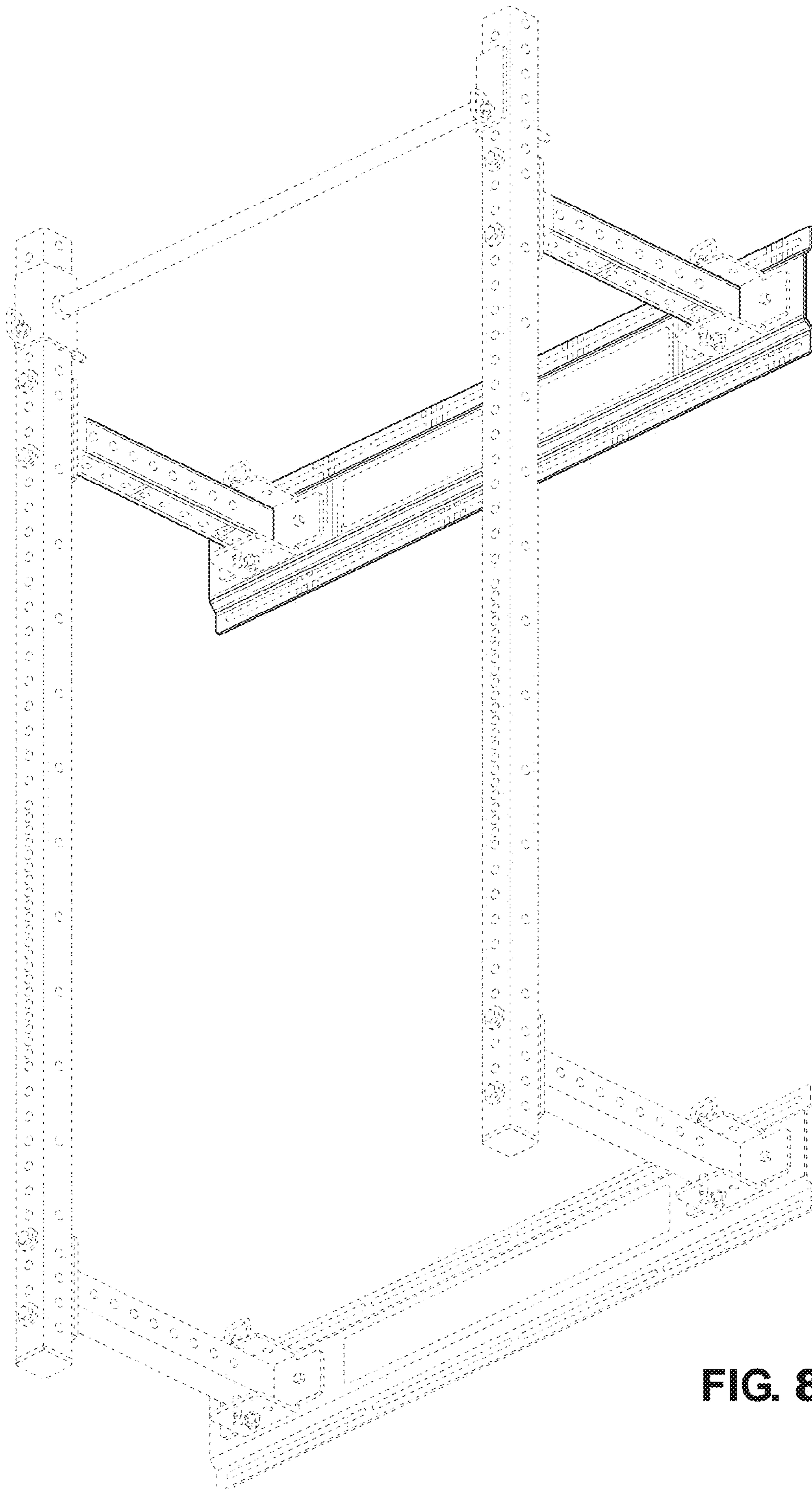


FIG. 7



**FIG. 8**