

US00D949263S

(12) **United States Design Patent** (10) **Patent No.:** **US D949,263 S**
Horita et al. (45) **Date of Patent:** **** Apr. 19, 2022**

(54) **WEIGHT STACK SELECTOR ELEMENTS OF AN EXERCISE MACHINE**

5,362,296 A 11/1994 Wang et al.
5,366,432 A 11/1994 Habing et al.
D357,041 S 4/1995 McBride et al.

(71) Applicant: **PELOTON INTERACTIVE, INC.**,
New York, NY (US)

(Continued)

(72) Inventors: **Sean K. Horita**, Woodinville, WA
(US); **Elijah E. Hooper**, Seattle, WA
(US)

OTHER PUBLICATIONS

True Fitness, announced 2016 [online], [site visited Jul. 21, 2021]
Available on internet, URL: https://www.youtube.com/watch?v=Q_b8Bz1Yhs (Year: 2016).

(73) Assignee: **PELOTON INTERACTIVE, INC.**,
New York, NY (US)

(Continued)

(**) Term: **15 Years**

Primary Examiner — Khawaja Anwar

Assistant Examiner — Julice Seung Eun Oum

(74) *Attorney, Agent, or Firm* — Haynes and Boone, LLP

(21) Appl. No.: **29/720,950**

(57) **CLAIM**

(22) Filed: **Jan. 16, 2020**

We claim the ornamental design for weight stack selector elements of an exercise machine, as shown and described.

(51) **LOC (13) Cl.** **21-02**

(52) **U.S. Cl.**
USPC **D21/694**

DESCRIPTION

(58) **Field of Classification Search**
USPC D21/690, 691, 694, 686, 662, 665, 676,
D21/679, 687, 692
See application file for complete search history.

FIG. 1 is a front, side perspective view of weight stack selector elements of an exercise machine of a fitness equipment unit;

FIG. 2 is an enlarged front, side perspective view of the weight stack selector elements of FIG. 1.

FIG. 3 is a front view of the weight stack selector elements of FIG. 1;

FIG. 4 is a first side view of the weight stack selector elements of FIG. 1;

FIG. 5 a second side view of the weight stack selector elements of FIG. 1;

FIG. 6 is a top view of the weight stack selector elements of FIG. 1; and,

FIG. 7 is a bottom view of the weight stack selector elements of FIG. 1.

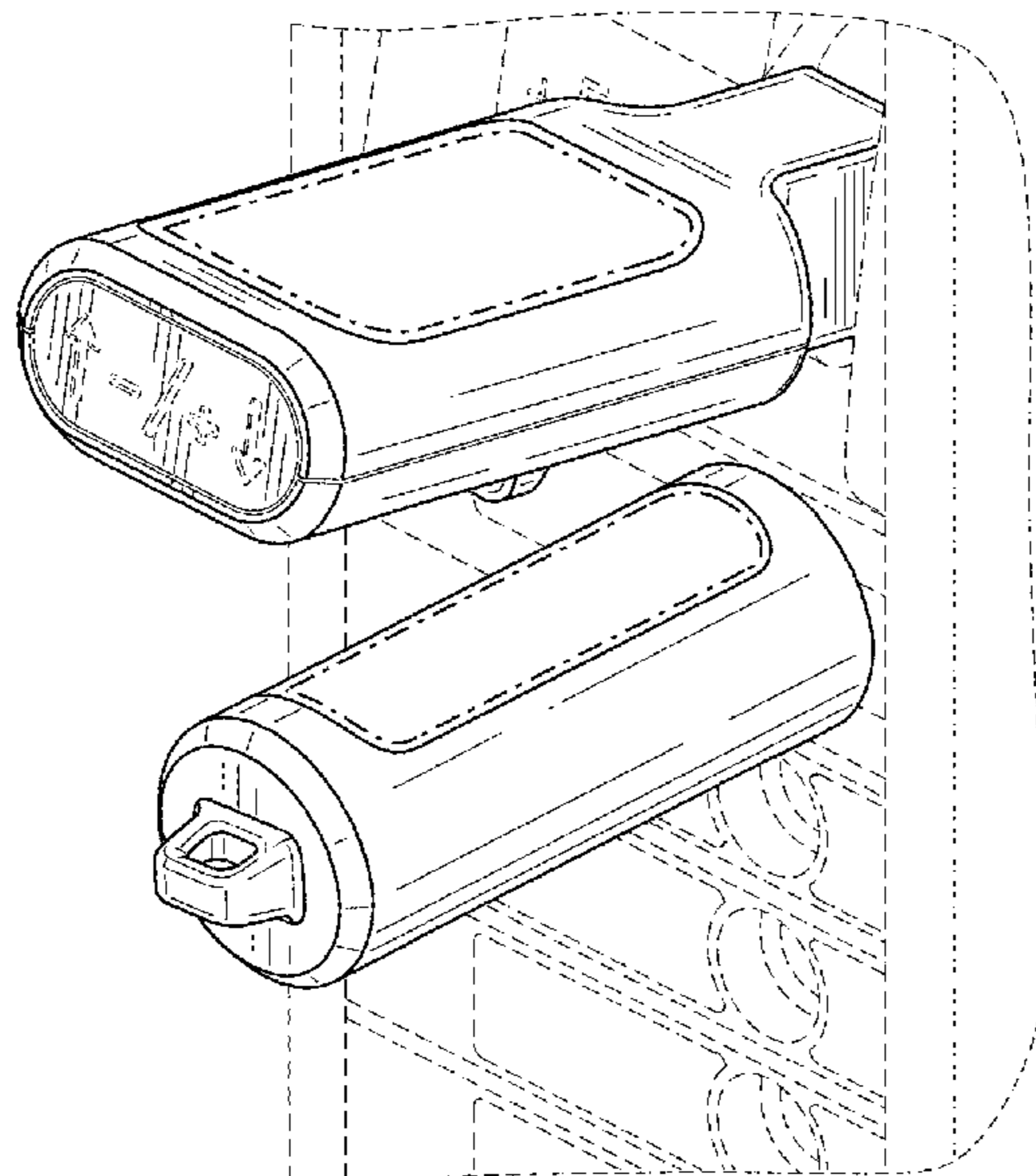
The broken lines and the dot dash lines shown throughout the figure views form no part of the claimed design.

(56) **References Cited**

U.S. PATENT DOCUMENTS

4,790,530 A	12/1988	Maag
4,822,038 A	4/1989	Maag
4,838,548 A	6/1989	Maag
4,840,373 A	6/1989	Maag
D321,391 S	11/1991	Jones
5,066,003 A	11/1991	Jones
5,085,430 A	2/1992	Habing
D324,710 S	3/1992	Habing
5,102,122 A	4/1992	Piane, Jr. et al.
5,190,513 A	3/1993	Habing et al.
5,199,935 A	4/1993	Gibson et al.
5,308,304 A	5/1994	Habing
5,354,252 A	10/1994	Habing

1 Claim, 6 Drawing Sheets



(56)

References Cited

U.S. PATENT DOCUMENTS

D358,183 S 5/1995 Habing et al.
 5,417,633 A 5/1995 Habing
 D359,325 S 6/1995 Gerschefske et al.
 5,468,202 A 11/1995 Habing
 5,492,520 A 2/1996 Brown
 D370,040 S 5/1996 Habing et al.
 5,527,248 A 6/1996 Crivello
 5,554,086 A 11/1996 Habing et al.
 5,577,987 A 11/1996 Brown
 5,580,337 A 12/1996 Habing et al.
 5,580,341 A 12/1996 Simonson
 5,597,257 A 1/1997 Habing
 5,749,813 A 5/1998 Domzalski
 5,803,882 A 9/1998 Habing et al.
 D406,290 S 3/1999 McBride
 5,885,193 A 3/1999 Habing et al.
 D408,875 S 4/1999 Anderson
 5,897,467 A 4/1999 Habing et al.
 5,897,473 A 4/1999 Koenig
 5,931,767 A 8/1999 Morales
 5,967,954 A 10/1999 Habing
 5,971,895 A 10/1999 Habing
 6,080,091 A 6/2000 Habing et al.
 D428,949 S 8/2000 Simonson
 D431,615 S 10/2000 Webber et al.
 6,152,864 A 11/2000 Giannelli et al.
 D439,939 S 4/2001 Batca et al.
 D439,940 S 4/2001 Batca et al.
 D440,610 S 4/2001 Webber et al.
 D440,611 S 4/2001 Batca et al.
 6,220,996 B1 4/2001 McArthur
 6,319,178 B1 11/2001 Webber
 6,488,612 B2 12/2002 Sechrest et al.
 6,558,303 B1 5/2003 Ellis
 6,579,213 B1 6/2003 Webber et al.
 D477,372 S 7/2003 Garner
 D481,428 S 10/2003 Giannelli et al.
 D490,128 S 5/2004 Giannelli et al.
 6,736,765 B2 5/2004 Wallace et al.
 D490,865 S 6/2004 Giannelli
 D491,237 S 6/2004 Giannelli et al.
 D491,238 S 6/2004 Giannelli et al.
 6,921,356 B1 7/2005 Habing et al.
 D511,190 S 11/2005 Panatta
 D512,113 S 11/2005 Carter
 D513,287 S 12/2005 Panatta
 D513,288 S 12/2005 Panatta
 D513,291 S 12/2005 Panatta
 D513,293 S 12/2005 Panatta
 D513,631 S 1/2006 Panatta
 D516,138 S 2/2006 Panatta
 D516,140 S 2/2006 Panatta
 D516,142 S 2/2006 Panatta
 D516,143 S 2/2006 Panatta
 D516,144 S 2/2006 Panatta
 7,011,609 B1* 3/2006 Kuo A63B 21/063
 482/94
 D523,496 S 6/2006 Grider
 7,090,623 B2 8/2006 Stewart et al.
 7,223,213 B2 5/2007 Golesh
 7,591,770 B2 9/2009 Stewart et al.
 7,608,024 B2 10/2009 Sechrest et al.
 7,654,940 B2 2/2010 Webber et al.
 7,708,672 B2 5/2010 Gibson et al.
 7,771,323 B1 8/2010 Batca
 7,794,371 B2 9/2010 Webber et al.
 7,815,554 B2 10/2010 Gibson et al.
 7,871,357 B2 1/2011 Gibson et al.
 7,981,010 B1 7/2011 Webber et al.
 D643,483 S 8/2011 Horita et al.
 8,057,368 B1 11/2011 Lyszczarz
 8,177,693 B2 5/2012 Webber et al.
 8,262,543 B1 9/2012 Batca
 8,529,413 B2 9/2013 Simmons
 8,672,814 B2 3/2014 Hopkins

RE44,992 E 7/2014 Fenster
 D728,709 S 5/2015 Ho et al.
 D743,494 S 11/2015 Ho et al.
 9,186,537 B2 11/2015 Arnold et al.
 9,320,937 B2 4/2016 Thompson
 9,604,090 B1* 3/2017 Meyer A63B 21/0626
 10,188,890 B2 1/2019 Olson et al.
 10,226,665 B2 3/2019 Kordecki
 10,343,008 B2 7/2019 Pullins et al.
 10,420,977 B1* 9/2019 Sullivan A63B 23/03525
 D905,179 S 12/2020 Kennington
 D912,168 S 3/2021 Orady et al.
 2002/0058571 A1 5/2002 Webber et al.
 2004/0029688 A1 2/2004 Webber et al.
 2006/0035764 A1 2/2006 Webber
 2006/0264304 A1 11/2006 Habing
 2007/0213184 A1 9/2007 Habing et al.
 2009/0258761 A1 10/2009 Quinn
 2010/0125030 A1 5/2010 Shifferaw
 2010/0132213 A1* 6/2010 Ulrich F26B 13/18
 34/388
 2012/0208679 A1* 8/2012 Webb A63B 21/063
 482/98
 2012/0322629 A1* 12/2012 Webb A63B 21/063
 482/98
 2013/0079708 A1* 3/2013 Wimpenny A61M 5/24
 604/65
 2013/0111739 A1* 5/2013 Wu H01M 6/005
 29/623.4
 2014/0336018 A1 11/2014 Thompson
 2015/0306442 A1* 10/2015 Høglund A63B 21/00069
 482/98
 2016/0082315 A1 3/2016 Carter et al.
 2016/0134144 A1* 5/2016 Miller H02J 7/342
 320/107
 2016/0329672 A1* 11/2016 McGinley H01R 31/065
 2017/0232292 A1 8/2017 Giannelli et al.
 2017/0340916 A1 11/2017 Gennusa
 2018/0034224 A1* 2/2018 Chung H01R 31/065
 2018/0326242 A1 11/2018 Jaquish et al.
 2019/0097365 A1* 3/2019 Lee H04B 1/18
 2019/0160324 A1 5/2019 Leopoldo Da
 2019/0305479 A1* 10/2019 Lan H01R 13/6205
 2019/0308069 A1* 10/2019 Sandhu A63B 21/0628
 2020/0140182 A1* 5/2020 Adjeleian B65D 81/3879
 2020/0188725 A1 6/2020 Carter et al.
 2021/0031091 A1 2/2021 Glidden
 2021/0104719 A1* 4/2021 Oikawa H01M 4/0435
 2021/0128963 A1 5/2021 Anderson
 2021/0178212 A1* 6/2021 Polinsky A63B 21/0626

OTHER PUBLICATIONS

Lifefitness Pro2, announced 2011 [online], [site visited Jul. 21, 2021] Available on internet, URL: <https://www.youtube.com/watch?v=30N6fKpuTNo> (Year: 2011).
 Precor C-Line, announced 2015 [online], [site visited Jul. 21, 2021] Available on internet, URL: https://www.youtube.com/watch?v=3LwWUeiZ_Tk (Year: 2015).
 Life Fitness, announced 2011 [online], [site visited Jul. 21, 2021] Available on internet, URL: <https://www.youtube.com/watch?v=LyQUwIzOLrA> (Year: 2011).
 Goodlife, announced 2016 [online], [site visited Jul. 21, 2021] Available on internet, URL: <https://www.youtube.com/watch?v=8EMbB0tCn7Q> (Year: 2016).
 Lifestrong, announced 2009 [online], [site visited Jul. 21, 2021] Available on internet, URL: https://www.youtube.com/watch?v=n8TOta_pfr4 (Year: 2009).
 TDS Extension, announced 2019 [online], [site visited Jul. 21, 2021] Available on internet, URL: https://www.amazon.com/TDS-Extension-Paddings-Extensions-Exercises/dp/B07JHV8CXF/ref=sr_1_122?dchild=1&keywords=leg+curl+exercise+machine&gid=1626900432&sr=8-122 (Year: 2019).

* cited by examiner

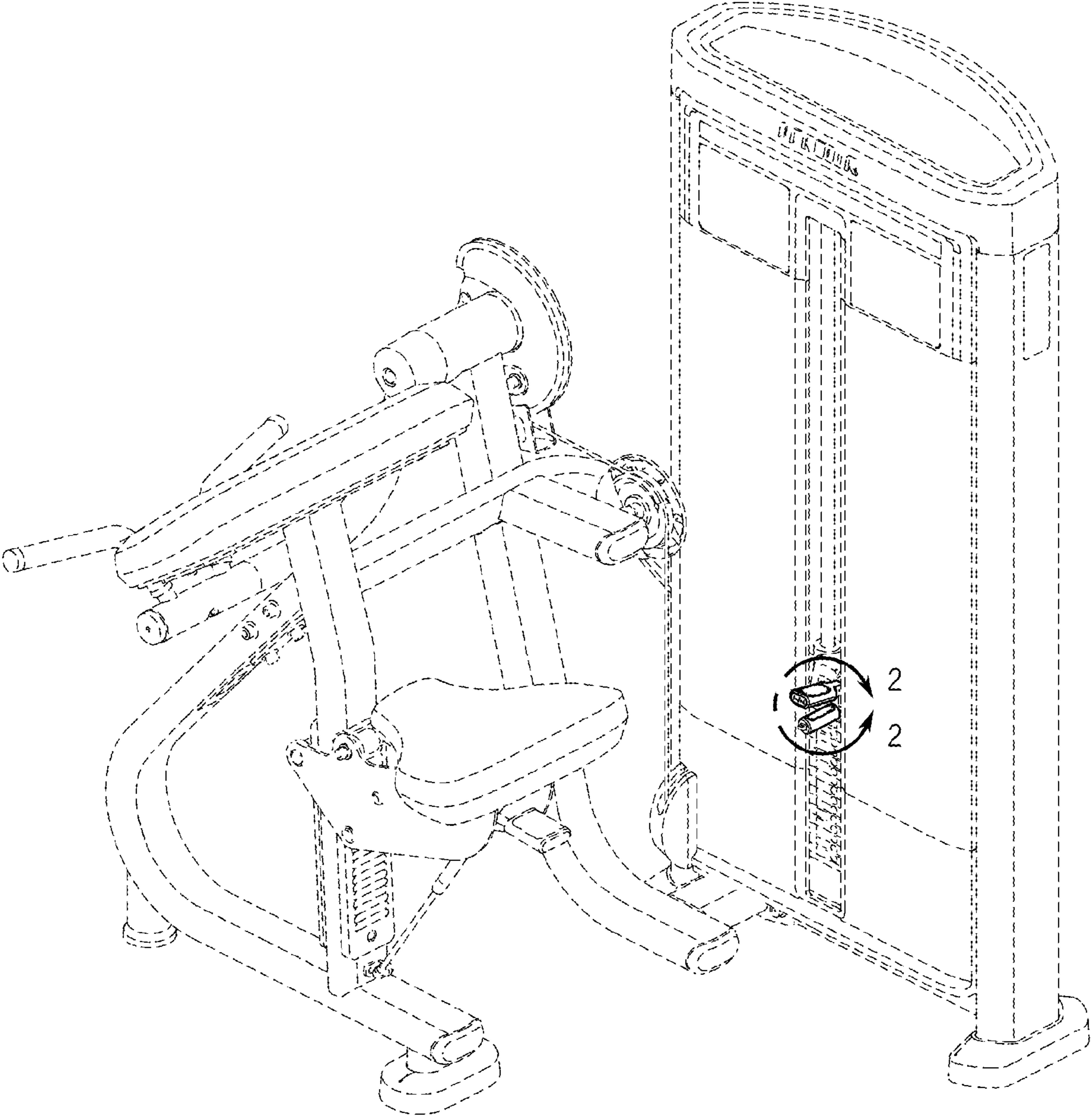


FIG. 1

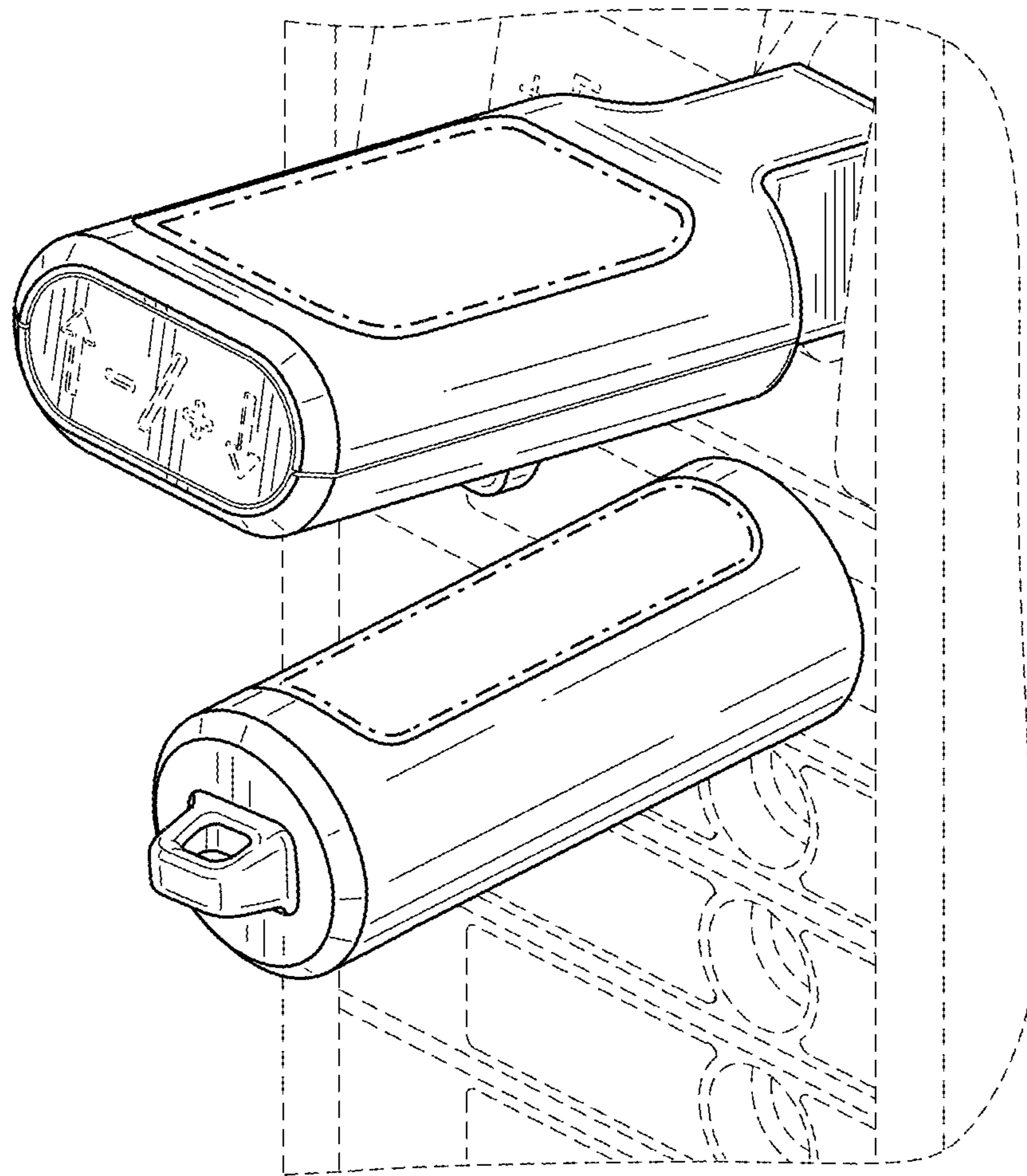


FIG. 2

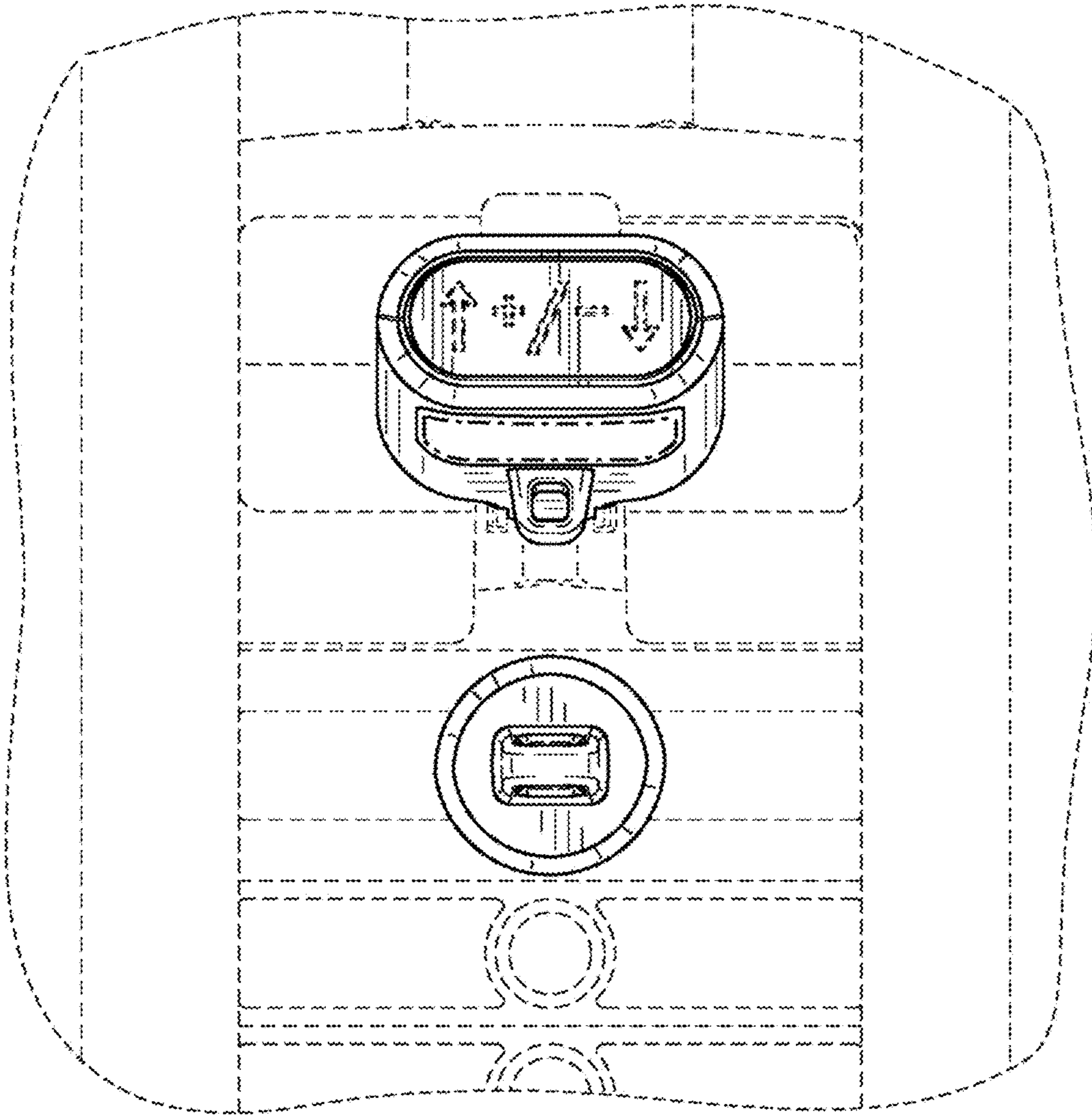


FIG. 3

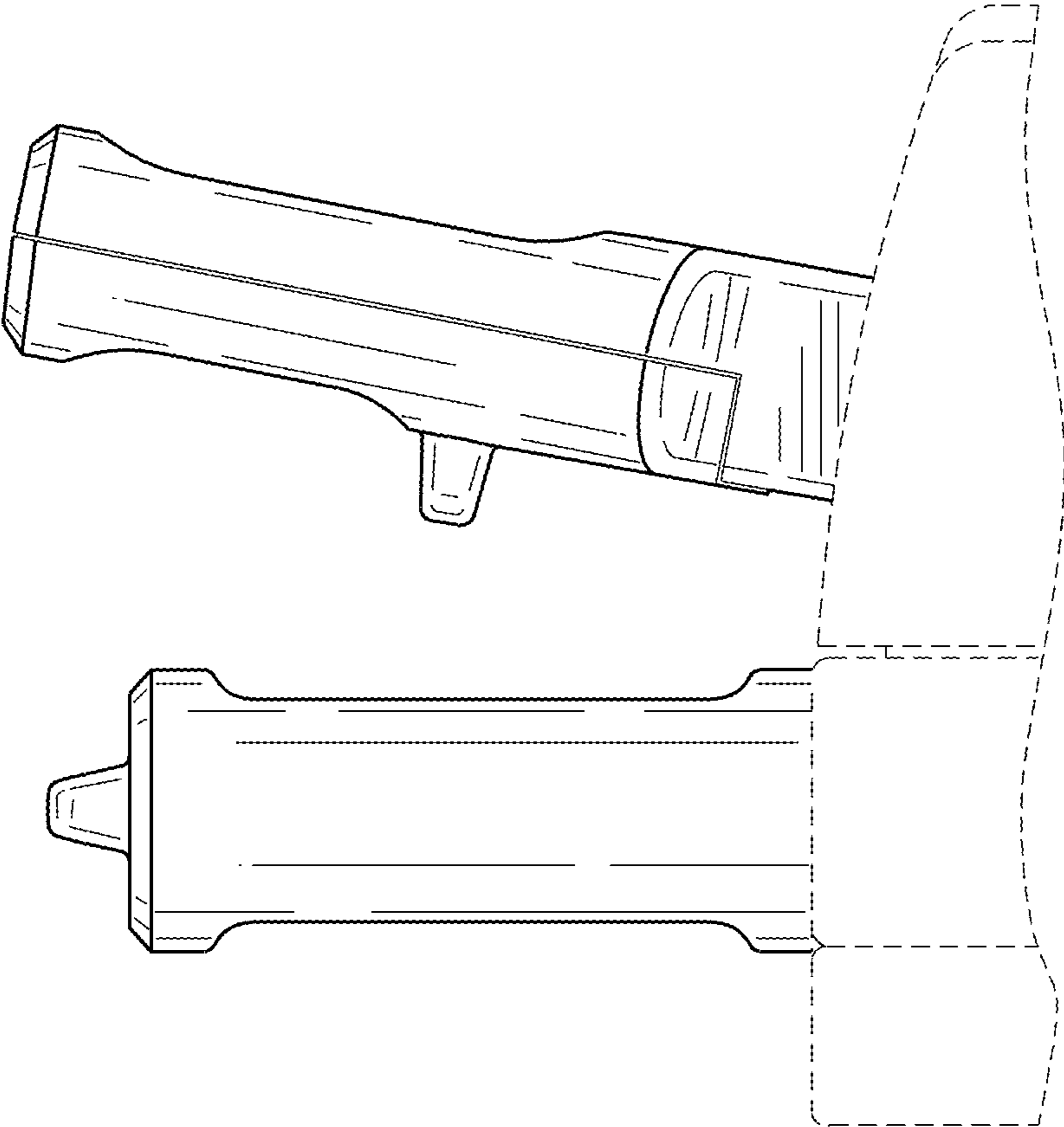


FIG. 4

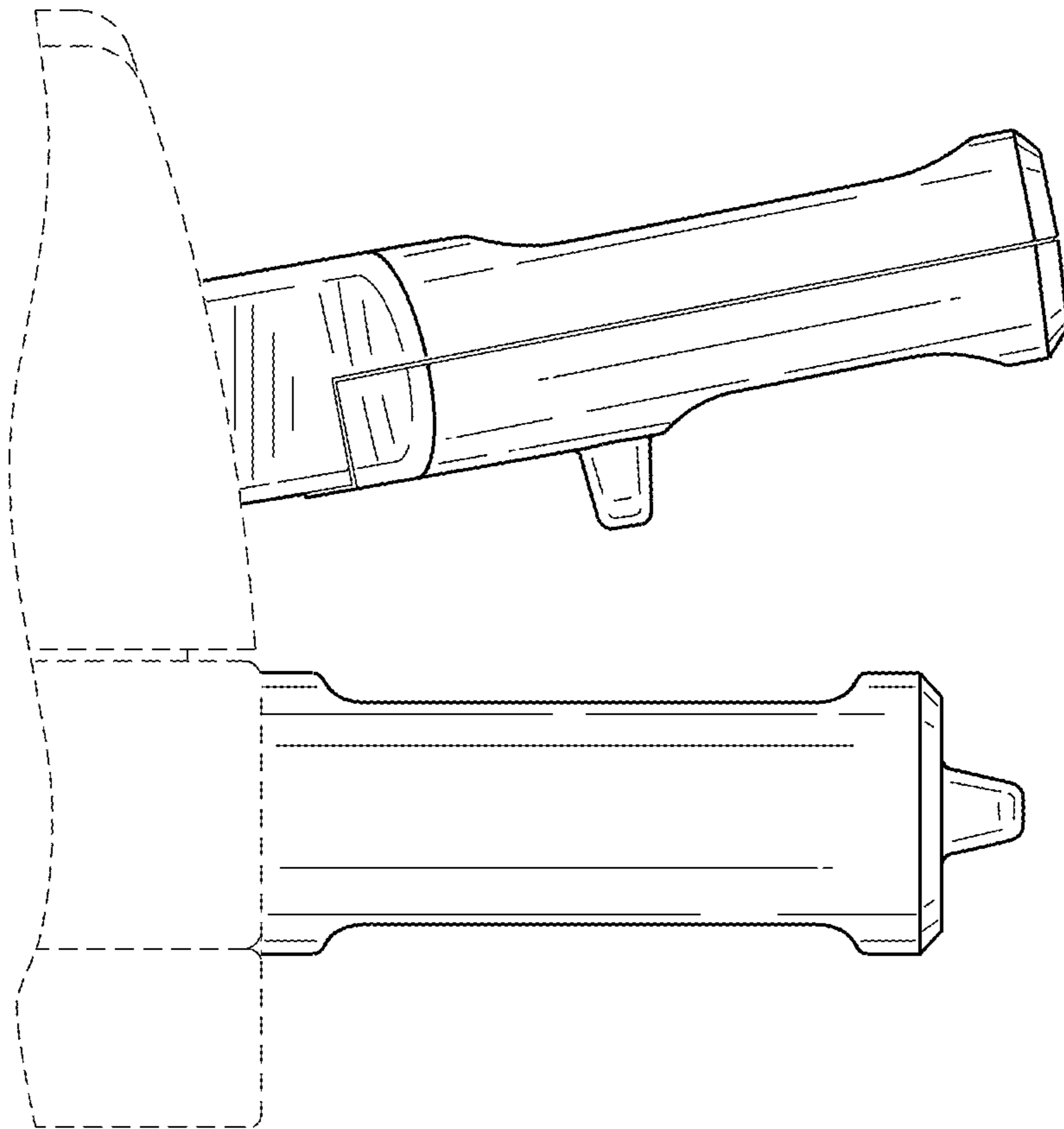


FIG. 5

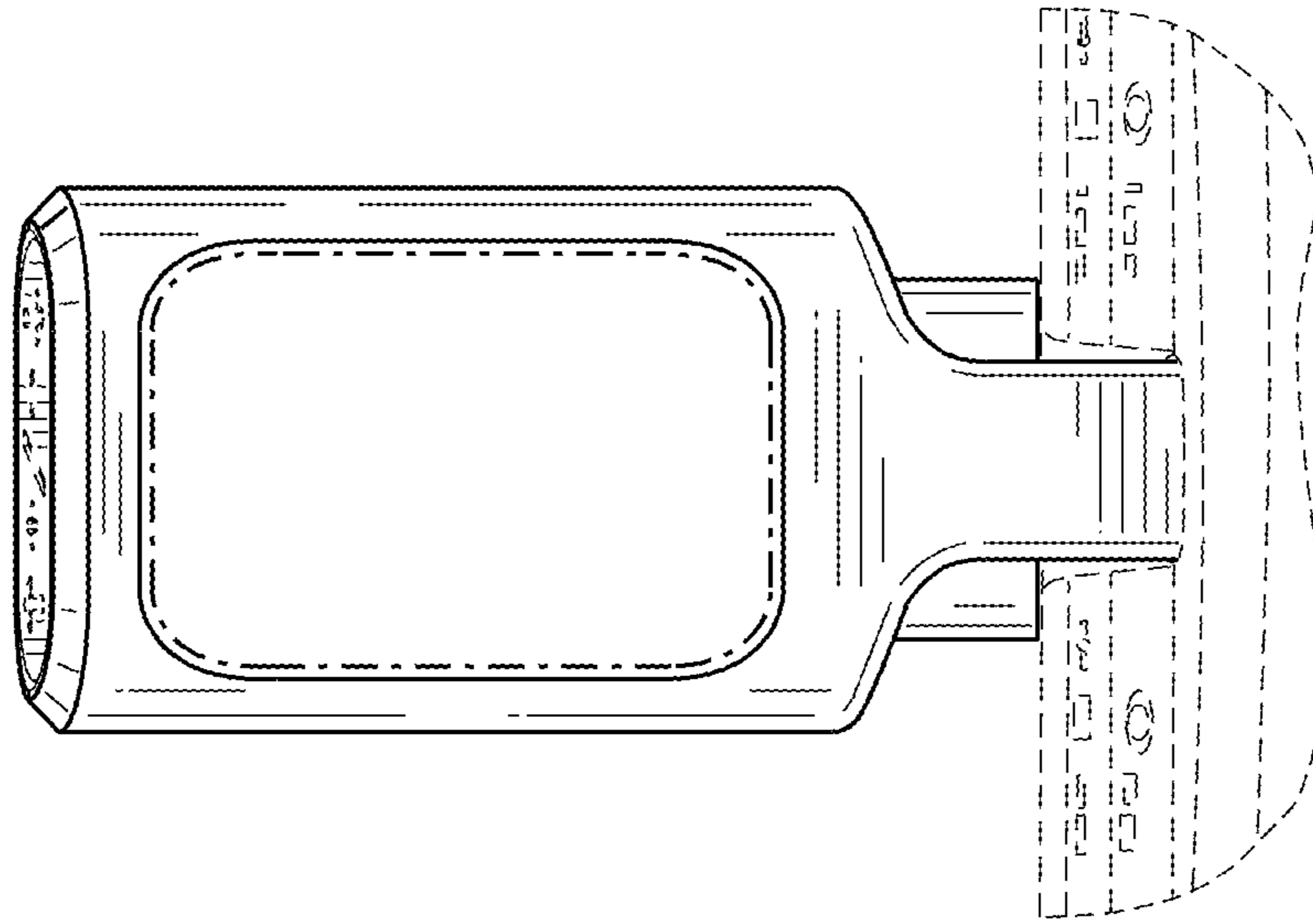


FIG. 6

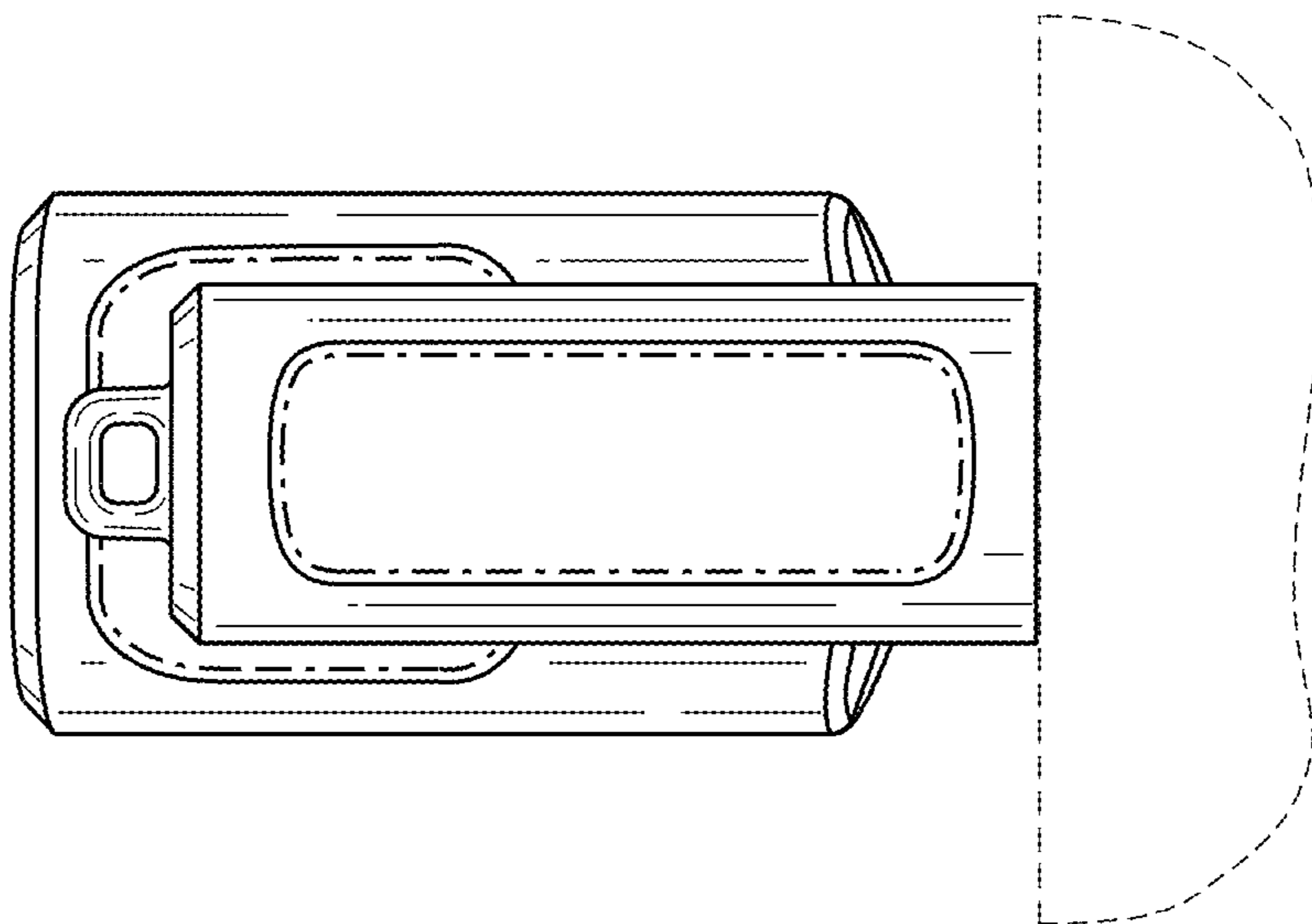


FIG. 7