



US00D949259S

(12) **United States Design Patent**
Cheng

(10) **Patent No.:** **US D949,259 S**

(45) **Date of Patent:** **** Apr. 19, 2022**

(54) **PEDAL ASSEMBLY FOR RHYTHMIC MOVEMENT TRAINING**

D632,101 S * 2/2011 Sandel D6/349
D681,750 S * 5/2013 Meyer-Hayoz D21/686
10,252,103 B2 * 4/2019 Irwin B32B 5/18

(Continued)

(71) Applicant: **SHANQ DIH CO., LTD.**, Tainan (TW)

(72) Inventor: **Cheng-Kuo Cheng**, Tainan (TW)

(73) Assignee: **Shanq Dih Co., Ltd.**, Tainan (TW)

(**) Term: **15 Years**

(21) Appl. No.: **29/736,667**

(22) Filed: **Jun. 2, 2020**

(51) **LOC (13) Cl.** **21-02**

(52) **U.S. Cl.**
USPC **D21/686**

(58) **Field of Classification Search**
USPC D21/671, 685, 686, 670, 349, 350, 689,
D21/688; D25/102, 112, 113, 119, 65;
D14/240, 388, 371; D9/414, 422, 430,
D9/435, 432, 456

See application file for complete search history.

(56) **References Cited**

U.S. PATENT DOCUMENTS

5,116,044 A * 5/1992 Wilkinson A47C 3/20
108/12
D330,057 S * 10/1992 Saunders D21/671
D330,234 S * 10/1992 Saunders D21/671
5,213,554 A * 5/1993 Goldstein A63B 23/0458
108/19
D337,362 S * 7/1993 Goldstein D21/671
5,290,210 A * 3/1994 Hand A63B 23/0458
482/51
D349,540 S * 8/1994 Hand D21/671
D353,636 S * 12/1994 Le Roux D21/671
5,472,390 A * 12/1995 Faye A63B 23/0458
482/27
5,645,511 A * 7/1997 Le Roux A63B 23/0458
482/142
D582,168 S * 12/2008 Sandel D6/349

FOREIGN PATENT DOCUMENTS

CA 72050 * 12/1992

OTHER PUBLICATIONS

Smartxchoices, announced 2017[online], [site visited Nov. 1, 2021]. Available on internet, URL:https://www.amazon.com/Smartxchoices-Adjustable-Workout-Aerobic-Platform/dp/B074T8XPDJ/(Year: 2017).*

(Continued)

Primary Examiner — Khawaja Anwar
Assistant Examiner — Julice Seung Eun Oum
(74) *Attorney, Agent, or Firm* — Rosenberg, Klein & Lee

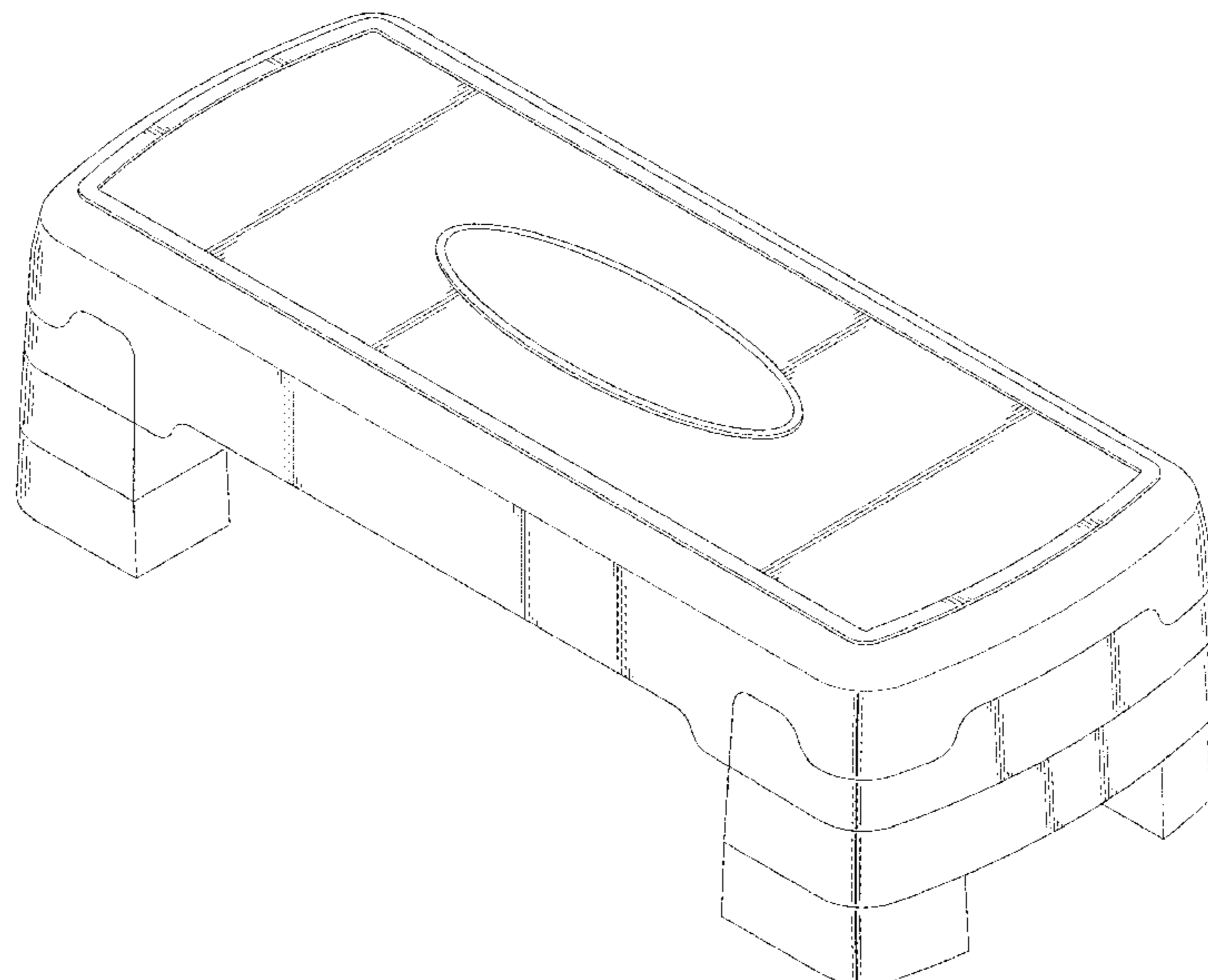
(57) **CLAIM**

The ornamental design for a pedal assembly for rhythmic movement training, as shown and described.

DESCRIPTION

FIG. 1 is a perspective view of a pedal assembly for rhythmic movement training showing my new design; FIG. 2 is a front elevational view thereof; FIG. 3 is a rear elevational view thereof; FIG. 4 is a left side elevational view thereof; FIG. 5 is a right side elevational view thereof; FIG. 6 is a top plan view thereof; and, FIG. 7 is a bottom plan view thereof. The broken lines shown in the figures are included for illustrating unclaimed portions of the pedal assembly for rhythmic movement training and form no part of the claimed design.

1 Claim, 7 Drawing Sheets



(56)

References Cited

U.S. PATENT DOCUMENTS

D895,224 S * 9/2020 Kalinowski D34/38
D917,439 S * 4/2021 Mochizuki D14/240
D919,019 S * 5/2021 Jaquish D21/679

OTHER PUBLICATIONS

Tonefitness store, announced 2017[online], [site visited Nov. 1, 2021]. Available on internet, URL:<https://www.amazon.com/Tone-Fitness-Aerobic-Exercise-Platform/dp/B0711N71BH/ref=Year:2017>.*

* cited by examiner

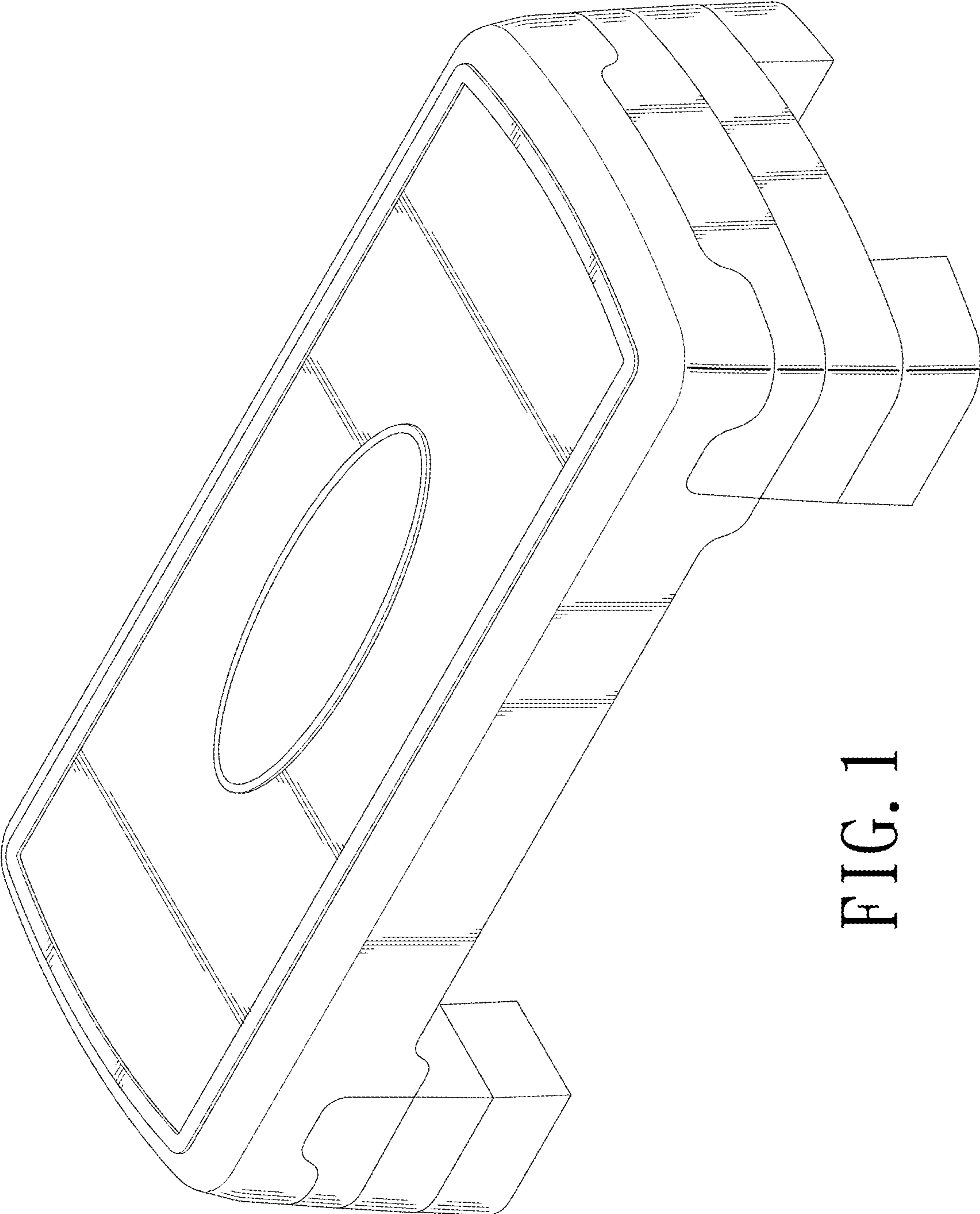


FIG. 1

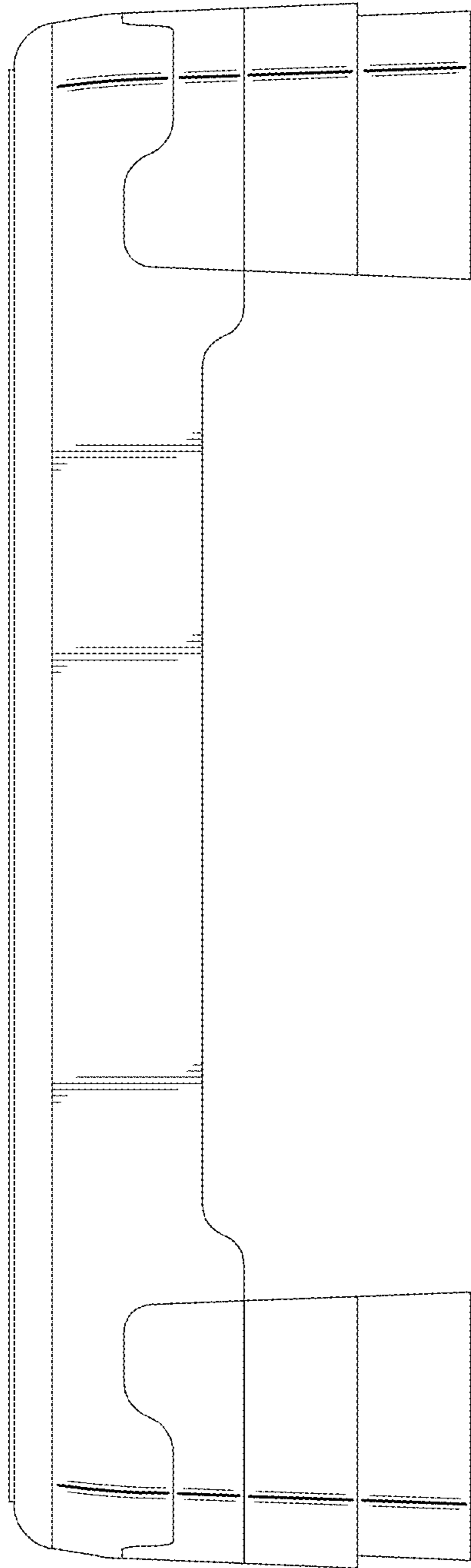


FIG. 2

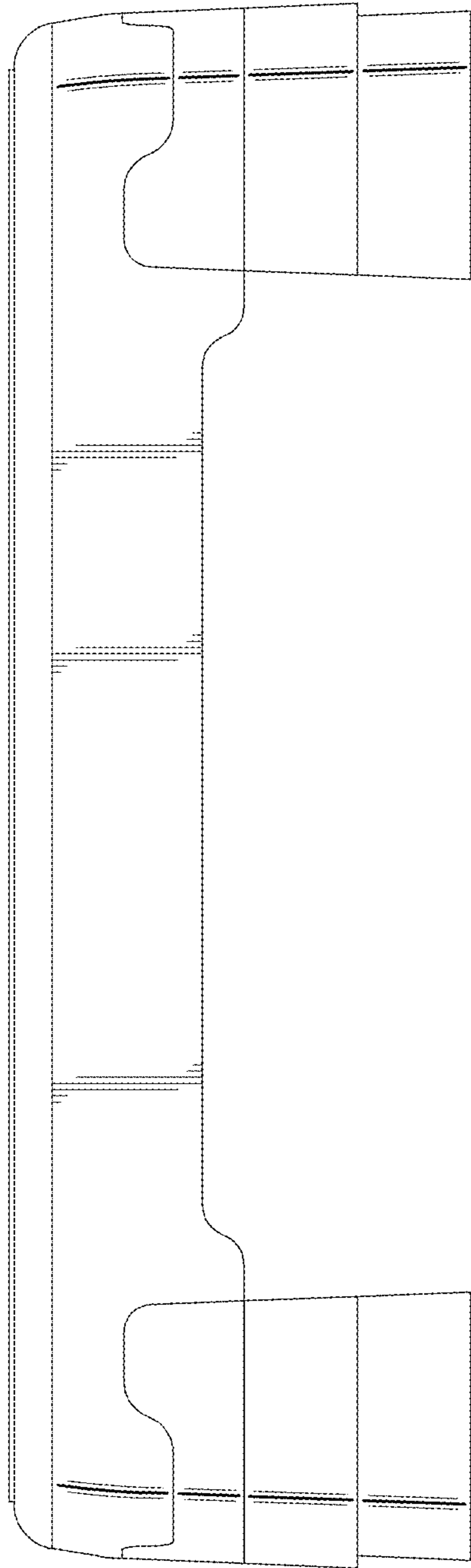


FIG. 3

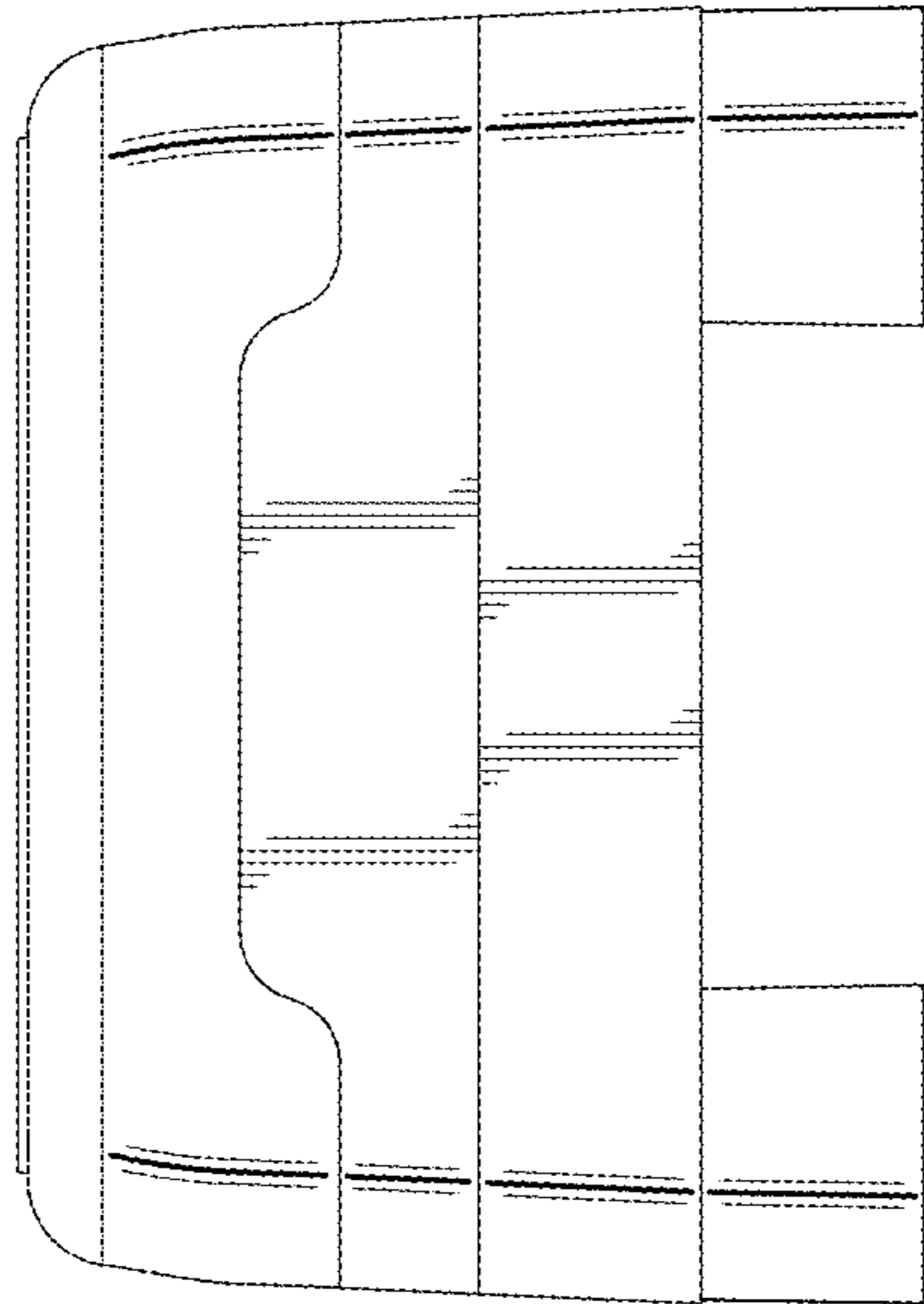


FIG. 4

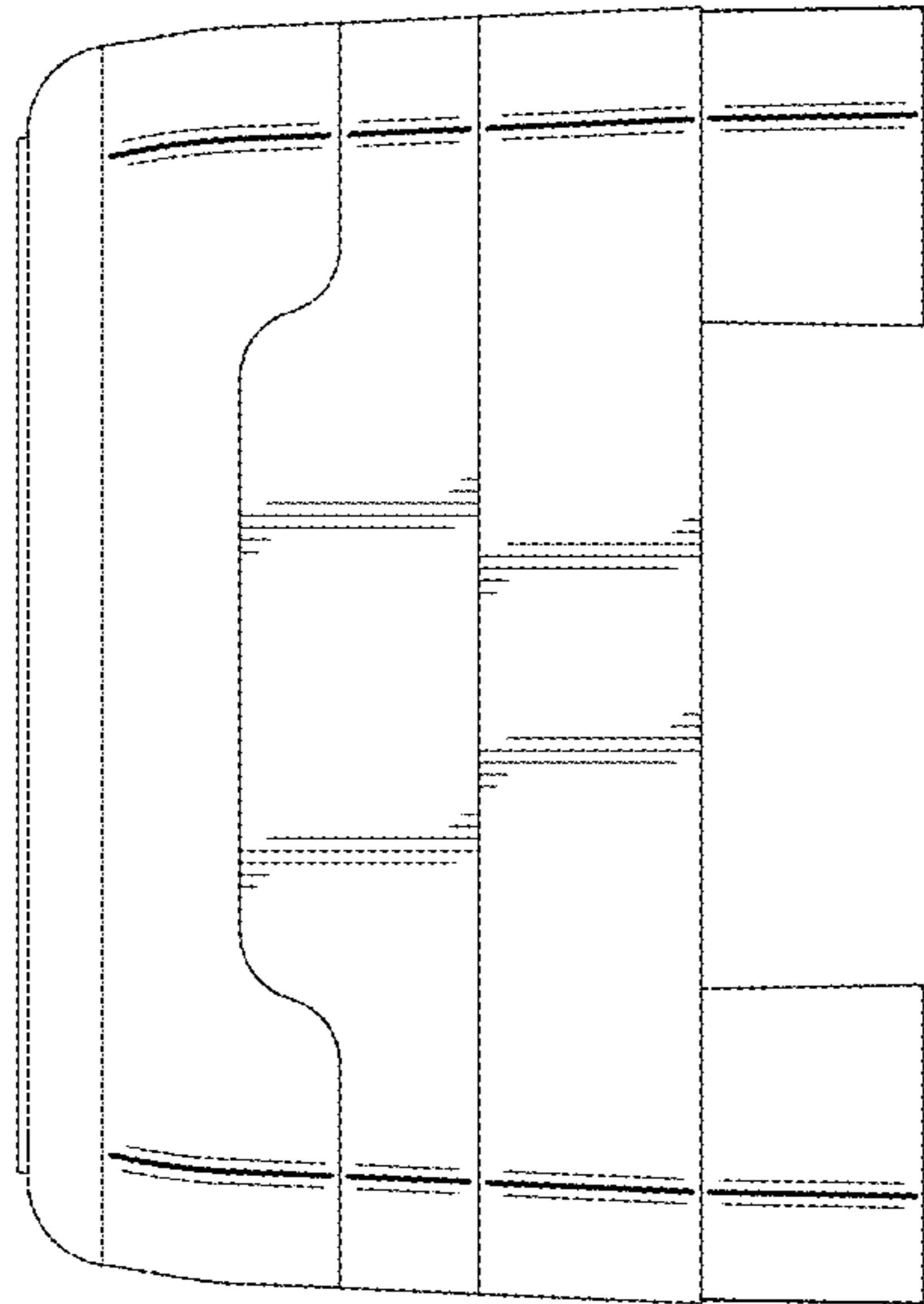


FIG. 5

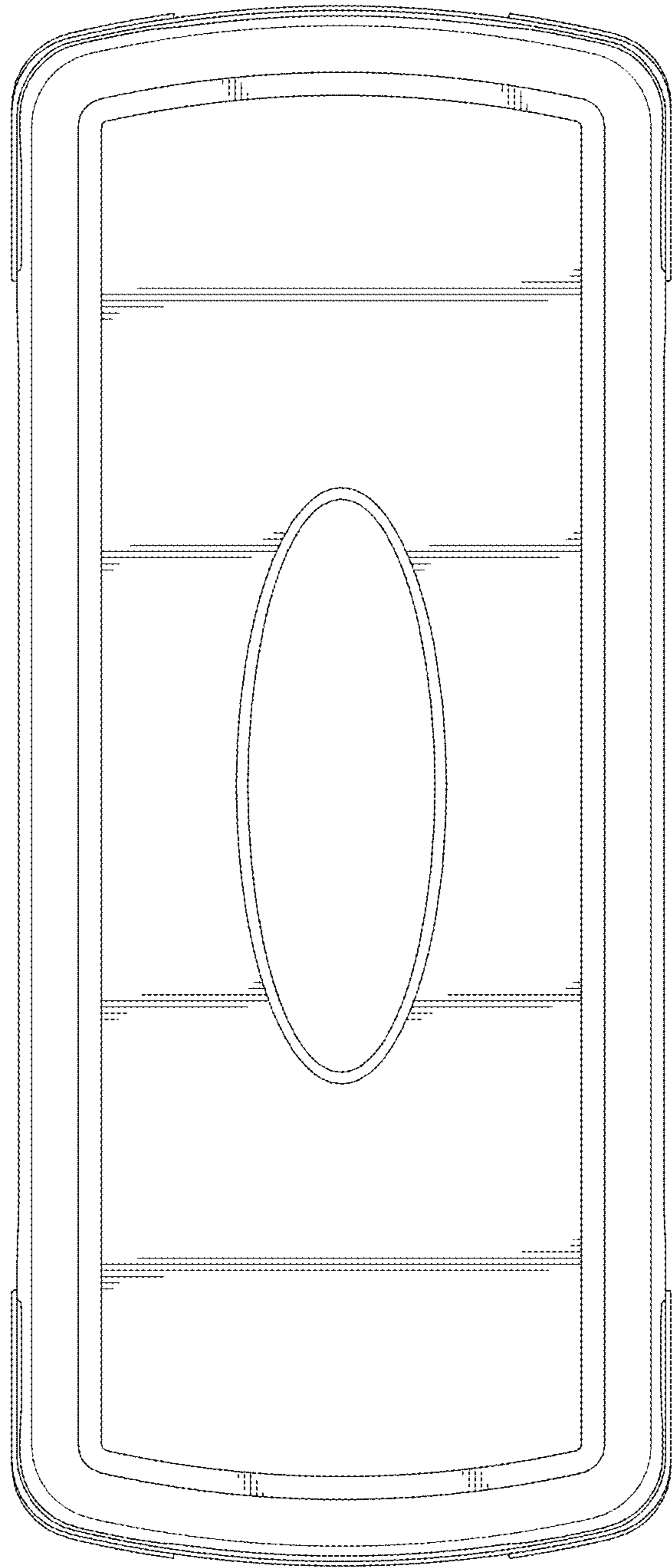


FIG. 6

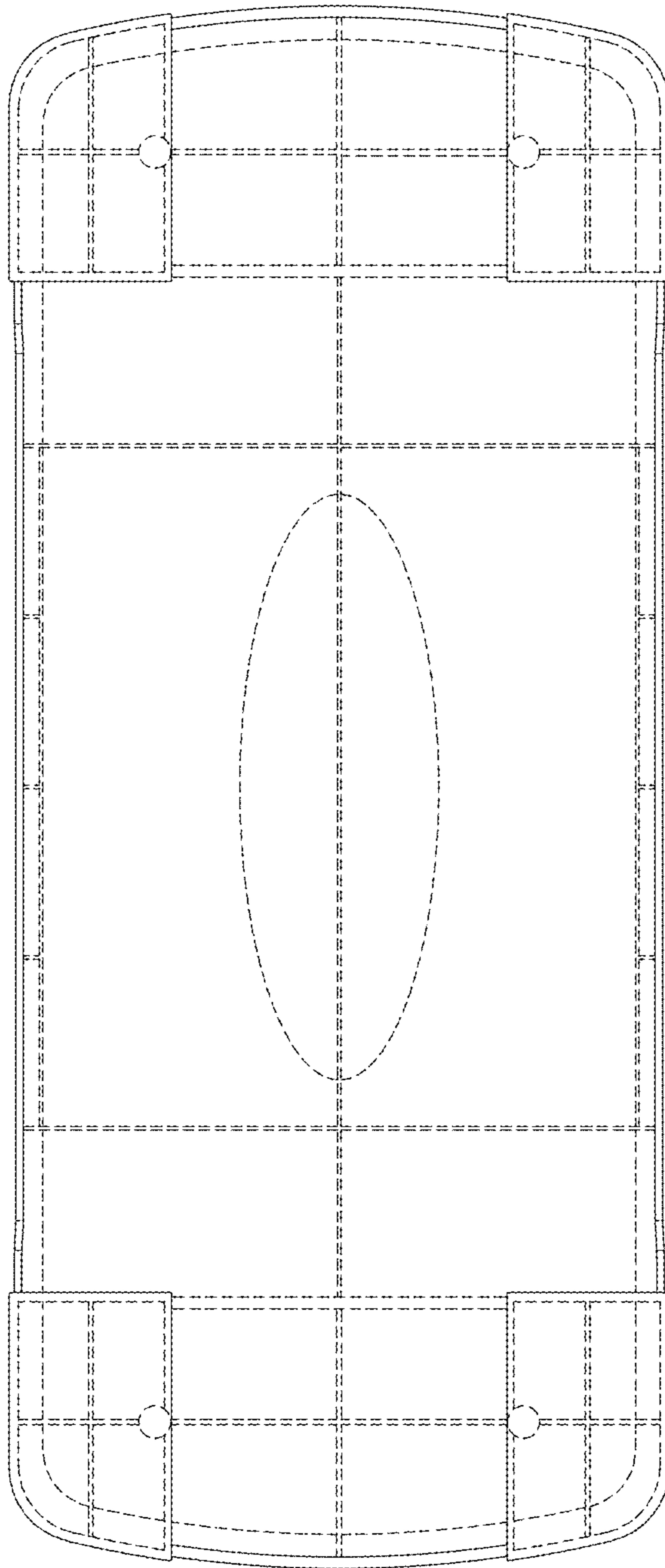


FIG. 7