



US00D949258S

(12) **United States Design Patent** (10) **Patent No.:** **US D949,258 S**
Dunahay (45) **Date of Patent:** **** Apr. 19, 2022**

(54) **WALL MOUNT**

D264,756 S 6/1982 Andersson
D265,111 S 6/1982 Lynn
D269,691 S 7/1983 Ornstein et al.
(Continued)

(71) Applicant: **Coulter Ventures, LLC.**, Columbus, OH (US)

(72) Inventor: **Nash Dunahay**, Blacklick, OH (US)

FOREIGN PATENT DOCUMENTS

(73) Assignee: **Coulter Ventures, LLC.**, Columbus, OH (US)

CN 202812711 U 3/2013
EP 2400205 A1 12/2011
(Continued)

(**) Term: **15 Years**

OTHER PUBLICATIONS

(21) Appl. No.: **29/728,966**

Rogue Fitness: "Installing the RML—3W with the new Rogue Stringer", Sep. 19, 2017 (Sep. 19, 2017), XP054982060, Retrieved from the Internet: URL: <https://www.youtube.com/watch?v=TRpmZ68p5Hw> [retrieved on Jul. 13, 2021].

(22) Filed: **Mar. 23, 2020**

(Continued)

Related U.S. Application Data

(63) Continuation of application No. 29/650,259, filed on Jun. 5, 2018, now Pat. No. Des. 879,217.

Primary Examiner — Michael A Maharajh

(51) **LOC (13) Cl.** **21-02**

(74) *Attorney, Agent, or Firm* — Banner & Witcoff, Ltd.

(52) **U.S. Cl.**

(57) **CLAIM**

USPC **D21/686**

The ornamental design for a wall mount, as shown and described.

(58) **Field of Classification Search**

DESCRIPTION

USPC D21/662, 673, 686, 691, 694, 826;
D25/62, 66, 68, 119, 126, 136; D6/329;
D8/323, 354

FIG. 1 is a top, front, right perspective view of a wall mount showing my new design;
FIG. 2 is a front view thereof;
FIG. 3 is a top view thereof;
FIG. 4 is a bottom view thereof;
FIG. 5 is a right side view thereof; and,
FIG. 6 is a left side view thereof.

CPC A63B 21/00047; A63B 21/078; A63B 21/169; A63B 71/023

See application file for complete search history.

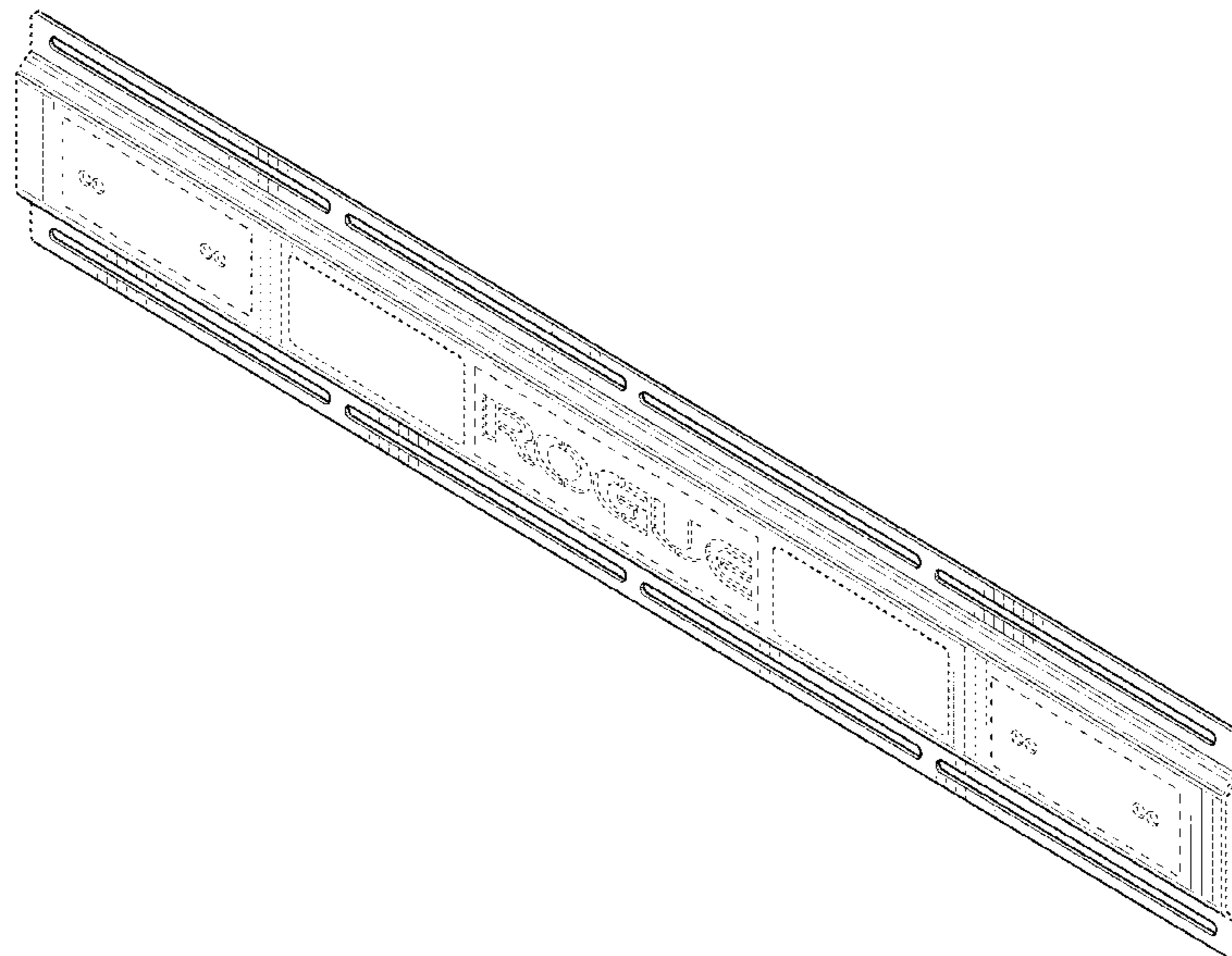
The broken lines immediately adjacent to the shaded area define the bounds of the claimed design and form no part thereof. The broken lines depicting the remainder of the wall mount show portions that form no part of the claimed design. The broken lines showing lettering in FIGS. 1-2 show example environment that forms no part of the claimed design.

(56) **References Cited**

1 Claim, 5 Drawing Sheets

U.S. PATENT DOCUMENTS

D47,725 S 8/1915 Heulings
D47,726 S 8/1915 Heulings
1,410,149 A 3/1922 Williams
2,855,200 A 10/1958 Blickman
D210,469 S 3/1968 Sejersen
D259,512 S * 6/1981 Hallen D25/119
4,323,236 A 4/1982 Szabo



(56)

References Cited

U.S. PATENT DOCUMENTS

D273,334 S 4/1984 Young
 D273,619 S 4/1984 Young
 D273,711 S 5/1984 Young
 D273,997 S 5/1984 Ryan
 D276,656 S 12/1984 Lindstrom
 D290,033 S 5/1987 Policastro
 D297,957 S 10/1988 Gordon, III
 4,961,295 A 10/1990 Kosch, Sr. et al.
 5,046,722 A 9/1991 Antoon
 5,273,506 A 12/1993 Dawson, Jr.
 D344,601 S 2/1994 Jenkins et al.
 5,290,209 A 3/1994 Wilkinson
 D355,005 S 1/1995 Voothanel, Jr.
 5,776,033 A 7/1998 Brown
 6,116,550 A 9/2000 Forbes
 6,129,651 A 10/2000 Denaro
 6,220,988 B1 4/2001 Williams
 D484,617 S 12/2003 Micheals
 D486,020 S 2/2004 Hoernig
 D486,337 S 2/2004 Hoernig
 D507,352 S 7/2005 Vanderbrugghen
 D514,857 S 2/2006 Hoernig
 D517,085 S * 3/2006 Deuschle D14/451
 D523,322 S 6/2006 Thurston et al.
 D525,668 S 7/2006 Payne
 D554,209 S 10/2007 Loucks
 7,316,379 B1 1/2008 Graham
 D582,569 S 12/2008 Moreau
 7,523,907 B2 4/2009 Chen
 D593,169 S 5/2009 Storch
 D596,761 S 7/2009 Beland
 D613,883 S 4/2010 Staten et al.
 7,892,158 B2 2/2011 Varga
 D639,585 S 6/2011 Shen et al.
 D639,586 S 6/2011 Selinger et al.
 D639,587 S 6/2011 Selinger et al.
 8,047,972 B1 11/2011 Dean et al.
 8,079,915 B2 12/2011 Spencer et al.
 8,083,191 B2 12/2011 Lai et al.
 D659,854 S 5/2012 Kligman
 D660,984 S * 5/2012 Kotin D25/119
 D661,412 S 6/2012 Kligman
 D682,955 S 5/2013 Stephan
 D703,773 S 4/2014 Henry
 D711,021 S 8/2014 Singh
 D718,883 S 12/2014 Thrush et al.
 D718,884 S * 12/2014 Thrush D25/125
 8,992,395 B2 3/2015 Orakwusi
 9,044,629 B2 6/2015 Ross
 D734,410 S 7/2015 Childs et al.
 D742,540 S 11/2015 Singh
 D742,543 S 11/2015 Singh
 9,192,799 B2 11/2015 Alenaddaf
 9,308,410 B2 4/2016 Beaver et al.
 D757,531 S 5/2016 Rusher
 9,333,387 B2 5/2016 Hopperstad et al.
 D764,607 S 8/2016 Beckford et al.
 9,409,048 B1 8/2016 Hopperstad et al.
 9,498,670 B1 11/2016 Hopperstad et al.
 9,517,382 B2 12/2016 Payne
 9,649,525 B2 5/2017 Hopperstad et al.
 9,675,829 B1 6/2017 Katz
 D791,354 S 7/2017 Singh
 9,700,761 B2 7/2017 Beaver et al.
 D799,067 S 10/2017 Forsberg
 D799,306 S 10/2017 Lee et al.
 D801,547 S 10/2017 Lopez
 D802,164 S 11/2017 Lopez
 9,844,691 B2 12/2017 Hopperstad et al.
 D816,173 S 4/2018 Jackson
 D817,520 S 5/2018 Gonzales
 9,993,678 B2 6/2018 Hopperstad et al.
 D836,617 S 12/2018 Shu
 10,226,661 B2 3/2019 Henniger et al.
 D853,587 S 7/2019 Jackson et al.

D853,588 S 7/2019 Jackson et al.
 D853,589 S 7/2019 Jackson et al.
 D854,635 S * 7/2019 Dunahay D21/679
 D857,241 S 8/2019 Sakamoto et al.
 D869,688 S 12/2019 Lanzafame
 D879,216 S * 3/2020 Dunahay D21/686
 D879,217 S * 3/2020 Dunahay D21/686
 D883,405 S * 5/2020 Dunahay D21/686
 D886,920 S * 6/2020 Dunahay D21/686
 D888,851 S * 6/2020 Dunahay D21/686
 2002/0082145 A1 6/2002 Hamilton
 2002/0123415 A1 9/2002 Marques
 2003/0222041 A1 12/2003 Hong et al.
 2005/0130806 A1 6/2005 Lopez
 2006/0065800 A1 3/2006 Bremmon
 2006/0145038 A1 7/2006 Chen
 2009/0105052 A1 4/2009 Dalebout et al.
 2009/0124471 A1 5/2009 Storch
 2010/0044536 A1 2/2010 Huang
 2010/0048368 A1 2/2010 Donofrio
 2010/0171017 A1 7/2010 Chang
 2011/0248128 A1 10/2011 Oh
 2012/0094812 A1 4/2012 Smiley
 2013/0184124 A1 7/2013 Reed
 2013/0237394 A1 9/2013 Fowler
 2013/0260970 A1 10/2013 Moskowich
 2014/0166834 A1 6/2014 Kuroyanagi et al.
 2014/0371040 A1 12/2014 Vasquez et al.
 2015/0059257 A1 3/2015 Beaver et al.
 2015/0065316 A1 3/2015 Towley, III et al.
 2015/0069257 A1 3/2015 Besson
 2015/0126335 A1 5/2015 Gilson et al.
 2015/0264823 A1 9/2015 Shirley et al.
 2015/0290488 A1 10/2015 Hopperstad et al.
 2016/0250515 A1 9/2016 Hopperstad et al.
 2016/0338512 A1 11/2016 Royak
 2016/0339291 A1 11/2016 Hopperstad et al.
 2017/0065844 A1 3/2017 Hopperstad et al.
 2017/0072260 A1 3/2017 Jackson
 2017/0189736 A1 7/2017 Martin
 2017/0209733 A1 7/2017 Beaver et al.
 2017/0239512 A1 8/2017 Brasch et al.
 2017/0246490 A1 8/2017 Hopperstad et al.
 2018/0036573 A1 2/2018 Lennox et al.
 2018/0056116 A1 3/2018 Le Nguyen
 2018/0104522 A1 4/2018 Hopperstad et al.
 2018/0140922 A1 5/2018 Greer
 2018/0142832 A1 5/2018 Inouye
 2018/0153305 A1 6/2018 Haines
 2018/0154234 A1 6/2018 Pack et al.
 2018/0178051 A1 6/2018 Shaw, Jr.
 2018/0326250 A1 * 11/2018 Henniger A63B 23/1218
 2019/0046835 A1 2/2019 Henniger et al.
 2019/0126088 A1 * 5/2019 Henniger A63B 21/4035
 2019/0269992 A1 9/2019 Dunahay
 2021/0070368 A1 3/2021 Toda et al.

FOREIGN PATENT DOCUMENTS

WO 2008054720 A2 5/2008
 WO 2009003280 A1 1/2009

OTHER PUBLICATIONS

Coulter Ventures LLC v Bulldog Gear Limited, UK High Court (Eng. & Wales), Claim No. HP-2019-000054, Defence and Counterclaim, dated Feb. 13, 2020.
Coulter Ventures LLC v Bulldog Gear Limited, High Court (Eng. & Wales), Claim No. HP-2019-000054, Defendant's Initial Disclosure List of Documents, dated Feb. 12, 2020.
Coulter Ventures LLC v Bulldog Gear Limited, High Court (Eng. & Wales), Claim No. HP-2019-000054, Amended Defence and Counterclaim, dated Apr. 23, 2020.
Coulter Ventures LLC v Bulldog Gear Limited, High Court (Eng. & Wales), Claim No. HP-2019-000054, Amended Defendant's Initial Disclosure List of Documents, dated Apr. 23, 2020.

(56)

References Cited

OTHER PUBLICATIONS

Coulter Ventures LLC v Bulldog Gear Limited, High Court (Eng. & Wales), Claim No. HP-2019-000054, Re-Amended Defence and Counterclaim, dated Feb. 4, 2021.

Coulter Ventures LLC v Bulldog Gear Limited, High Court (Eng. & Wales), Claim No. HP-2019-000054, Claim Form and Particulars of Claim, dated Dec. 18, 2019.

Coulter Ventures LLC v Bulldog Gear Limited, High Court (Eng. & Wales), Claim No. HP-2019-000054, Claimant's Initial Disclosure List of Documents, dated Dec. 18, 2019.

Coulter Ventures LLC v Bulldog Gear Limited, High Court (Eng. & Wales), Claim No. HP-2019-000054, Reply and Defence to Counterclaim, dated Apr. 2, 2020.

Coulter Ventures LLC v Bulldog Gear Limited, High Court (Eng. & Wales), Claim No. HP-2019-000054, Amended Claim Form and Amended Particulars of Claim, dated Dec. 23, 2020.

Coulter Ventures LLC v Bulldog Gear Limited, High Court (Eng. & Wales), Claim No. HP-2019-000054, Amended Reply and Defence to Counterclaim, dated Feb. 18, 2021.

Rogue product advertisement dated Dec. 3, 2015 (redacted).

Rogue fitness product video screenshots from <<https://www.youtube.com/watch?v=TRpmZ68p5Hw>>, dated Sep. 19, 2017.

Gorilla Fitness product advertisement dated Apr. 16, 2018 (redacted).

Bulldog Gear product advertisement dated Jan. 11, 2018.

Pure Strength product listing dated Sep. 6, 2018 from <<https://www.pure-strength.com/collections/slim-gym-utility-plate>>.

Titan Fitness product listing dated Sep. 6, 2018 from <<https://www.titan.fitness/t-3-folding-power-rack-stringers.html>>.

Titan Fitness product listing dated Sep. 6, 2018 from <<https://www.titan.fitness/41-inch-deep-folding-wall-mount-rack.html>> (product known to be available as of Mar. 2, 2016).

Product listing for Rogue V2 Face Mount Pull-up Bar for Monster Lite from <https://web.archive.org/web/20161105161238/https://www.roguefitness.com/rogue-v2-face-mount-pull-up-bar-for-monster-lite>, dated Nov. 5, 2016.

Jan. 11, 2019—(WO) ISR and WO—App No. PCT/US2018/059018.

Screenshot of Level Mount tv mount from <https://www.youtube.com/watch?v=YUVvZr3qTrc>, dated Mar. 26, 2012, accessed Jun. 2, 2020.

Screenshot of Abt Electronics wall mount from <https://www.youtube.com/watch?v=XJEmJhEleH0>, dated Jun. 6, 2013, accessed Jun. 2, 2020.

Screenshot of Show Me Cables ultra slim tv wall mount from <https://www.youtube.com/watch?v=UfcsWN7brCg>, dated Jun. 27, 2016, accessed Jun. 2, 2020.

Screenshot of Texonic Model LX67 wall mount from <https://www.youtube.com/watch?v=ojTXO9edjEc>, dated Jul. 5, 2017, accessed Jun. 2, 2020.

Screenshot of Sony SUWL450 wall mount from https://www.amazon.co.uk/Sony-SUWL450-Wall-Mount/dp/B00IZEIZB4/ref=sr_1_20?keywords=Sony+Wall+Mount+Bracket&qid=1580915273&sr%2E2%80%A6, dated Mar. 14, 2014.

Screenshot of Sony Durotic TV Bracket TV123M wall mount from https://www.amazon.co.uk/dp/B001PHBZFQ/ref=psdc_1338216031_t4_B07MX3Q3NZ, dated Jan. 12, 2009.

Screenshot of wall mounting bracket Dv5 from Hornung's Industrial Gas Catalogue, <http://my.page2flip.de/1672972/2178732/2178865/pdf/CatalogueforindustrialgascontrolequipmentHornungGmbH.pdf>, dated Jan. 2013.

Screenshot of wall mounting bracket D2 from Hornung's Industrial Gas Catalogue, <http://my.page2flip.de/1672972/2178732/2178865/pdf/CatalogueforindustrialgascontrolequipmentHornungGmbH.pdf>, dated Jan. 2013, accessed Feb. 6, 2020.

Screenshot of wall mounting bracket painted from Hornung's Industrial Gas Catalogue, <http://my.page2flip.de/1672972/2178732/2178865/pdf/CatalogueforindustrialgascontrolequipmentHornungGmbH.pdf>, dated Jan. 2013, accessed Feb. 6, 2020.

Screenshot of wall mounting bracket in stainless steel electropolishing from Hornung's Industrial Gas Catalogue, <http://my.page2flip.de/1672972/2178732/2178865/pdf/CatalogueforindustrialgascontrolequipmentHornungGmbH.pdf>, dated Jan. 2013, accessed Feb. 6, 2020.

Screenshot of wall mounting bracket in stainless steel, electropolishing, HP 550-552 from Hornung's Industrial Gas Catalogue, <http://my.page2flip.de/1672972/2178732/2178865/pdf/CatalogueforindustrialgascontrolequipmentHornungGmbH.pdf>, dated Jan. 2013, accessed Feb. 6, 2020.

Screenshot of Altecnic Expansion Vessel Bracket from https://www.amazon.co.uk/dp/B00QVM4LCE/ref-sspa_dk_detail_0?psc-1&pd_rd_i-B00QVM4LCE&pd_rd_w=6dXas&pf_rd_p=1055d8b2-c10c-4%E2%80%A6, dated Dec. 11, 2014, accessed Feb. 5, 2020.

Screenshot of Reflex Winkelmann Wall Holder from <https://www.amazon.co.uk/Reflex-Winkelmann-7611000-Holder-25-Litre/dp/B0017UWL6I>, dated Dec. 13, 2012, accessed Feb. 5, 2020.

Design View copy of Registered Community Design No. 002104463-0001, dated Sep. 17, 2012.

Design View copy of Registered Community Design No. 00765862-0001, dated Jul. 27, 2007.

Design View copy of Registered Community Design No. 000153796-0002, dated Feb. 25, 2004.

Screenshot of Mammoth Lite Folding Rack from Bulldog Gear Instagram account, dated Jan. 11, 2018.

Screenshot of Folding Rack from Bulldog Gear Instagram account, dated Oct. 2, 2018.

Screenshot of wall bracket from Weinmann-Schanz, <http://web.archive.org/web/20170909025230/http://www.weinmann-schanz.de/de/de/Heizung/Neu-im-Sortiment/W%C3%A4rmeerzeuger-Speicher/pid.1143.1160/agid.90421.90432.105367/ecm.ag/Abstandsmontageplatten-f%C3%BCr-Wandkonsolen.html>, dated Sep. 9, 2017.

Screenshot of wall bracket from Weinmann-Schanz, <https://www.weinmann-schanz.de/de/de/Heizung/W%C3%A4rmeerzeuger-Speicher/Abgassysteme/Edelstahl-Abgassystem-Uni-DW-doppelwandig/Abstandsmontageplatten-f%C3%BCr-Wandkonsolen-sid134351.htm>, accessed Feb. 6, 2020.

Screenshot of wall bracket from Weinmann-Schanz, <http://web.archive.org/web/20170529161506/http://www.weinmann-schanz.de:80/de/de/Heizung/Neu-im-Sortiment/W%C3%A4rmeerzeuger-Speicher/pid.1143.1160/agid.90421.90432.105379/ecm.ag/Abstandsmontageplatten-f%C3%BCr-Wandhalter.html>, dated May 29, 2017.

Screenshot of wall bracket from Weinmann-Schanz, <https://www.weinmann-schanz.de/de/de/Heizung/W%C3%A4rmeerzeuger-Speicher/Abgassysteme/Edelstahl-Abgassystem-Uni-DW-doppelwandig/Abstandsmontageplatten-f%C3%BCr-Wandhalter-sid182096.html>, accessed Feb. 11, 2020.

Dec. 14, 2021—(CN) 4th Office Action—App 201880085010.6.

* cited by examiner

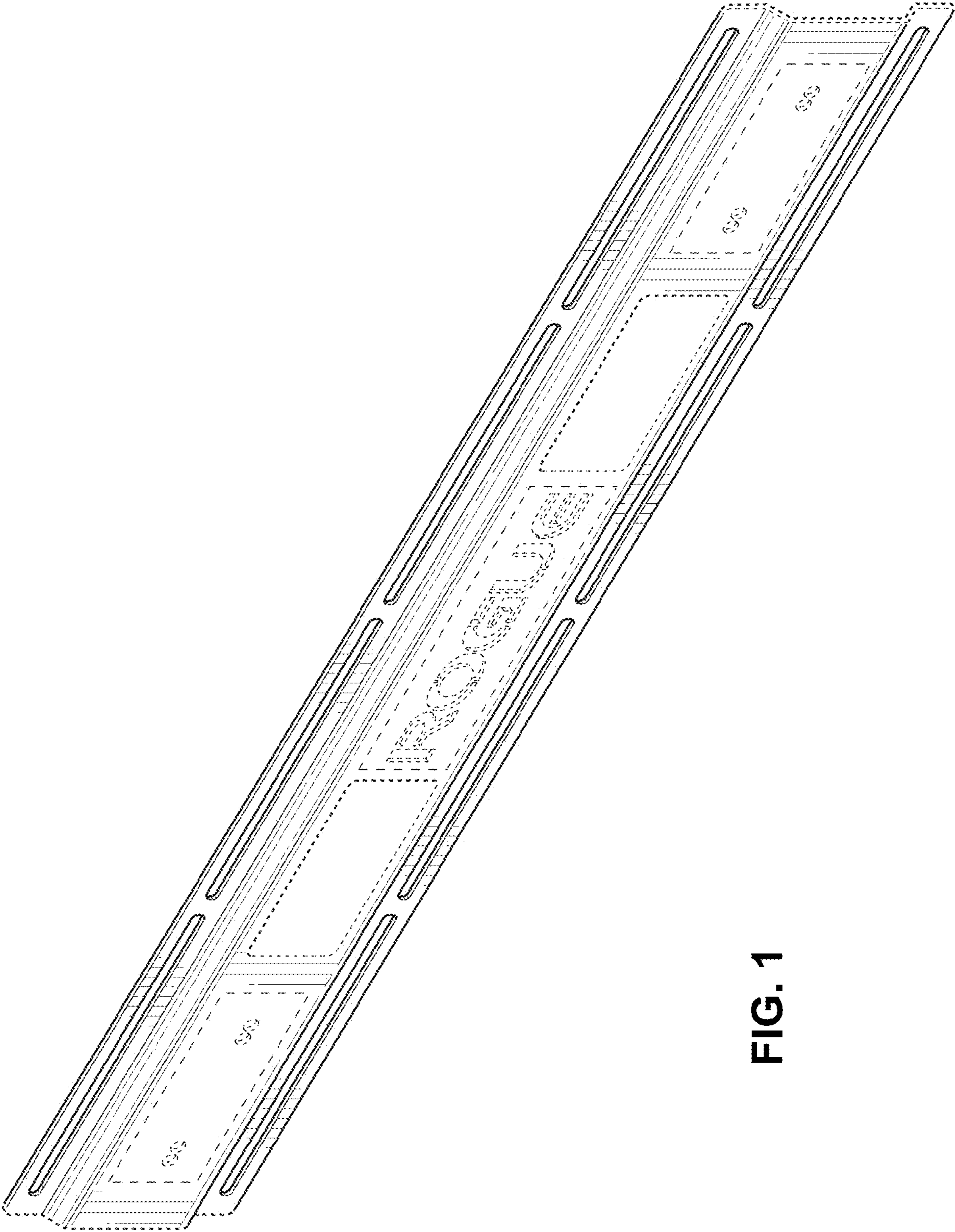


FIG. 1

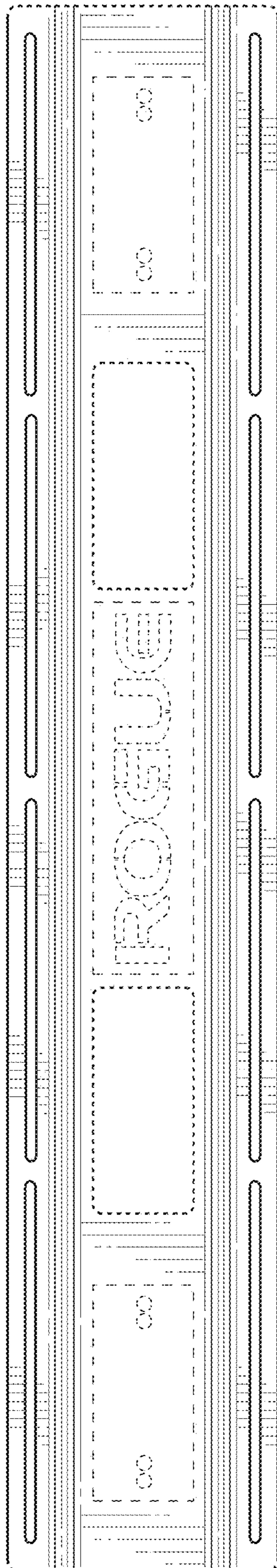


FIG. 2



FIG. 3



FIG. 4



FIG. 6



FIG. 5