



US00D949256S

(12) **United States Design Patent**
Barton et al.

(10) **Patent No.:** **US D949,256 S**
(45) **Date of Patent:** **** Apr. 19, 2022**

(54) **ELONGATED EXERCISE BAR**

(71) Applicant: **Barton Innovations, LLC**,
Waynesfield, OH (US)

(72) Inventors: **Thomas Jeffrey Barton**, Waynesfield,
OH (US); **David Joseph Barton**,
Waynesfield, OH (US); **Sara Anne
Barton**, Waynesfield, OH (US)

(73) Assignee: **Barton Innovations, LLC**,
Waynesfield, OH (US)

(**) Term: **15 Years**

(21) Appl. No.: **29/799,012**

(22) Filed: **Jul. 12, 2021**

Related U.S. Application Data

(62) Division of application No. 29/691,193, filed on May
14, 2019, now Pat. No. Des. 925,665.

(51) **LOC (13) Cl.** **21-02**

(52) **U.S. Cl.**
USPC **D21/679**

(58) **Field of Classification Search**
USPC D21/694, 691, 679, 681, 686; D6/681.1;
482/38, 40, 131, 140, 93, 97
(Continued)

(56) **References Cited**

U.S. PATENT DOCUMENTS

D226,151 S 1/1973 Pawsat et al.
3,837,642 A 9/1974 Martin
(Continued)

OTHER PUBLICATIONS

Primal Strength by Primal Strength dated no date found. Found
online [Sep. 14, 2020] <https://primalstrength.com/primal-strength-max-grip-handles/>*

(Continued)

Primary Examiner — Ryan Harvey

(74) *Attorney, Agent, or Firm* — The Law Office of
Patrick F. O'Reilly III, LLC

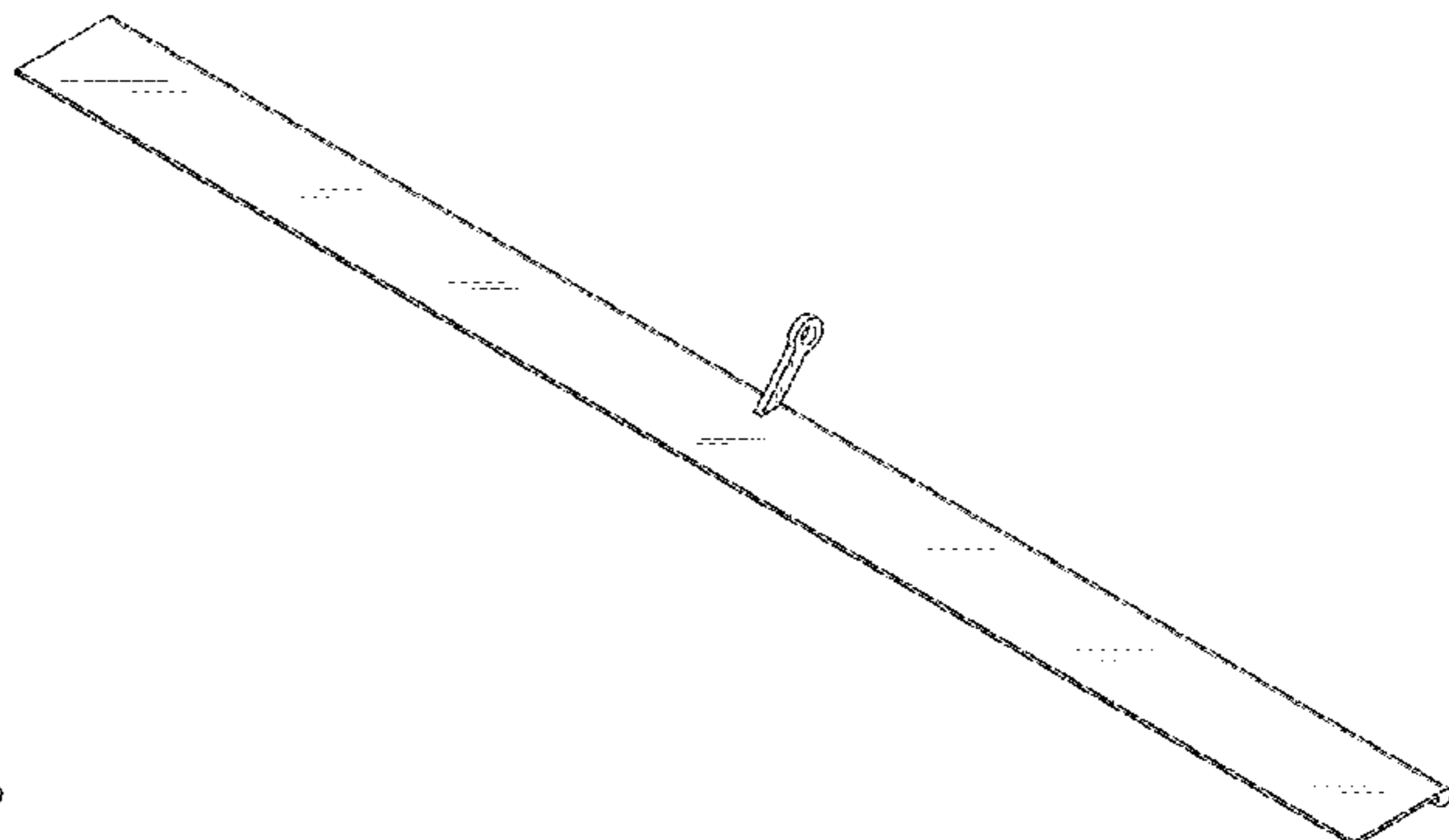
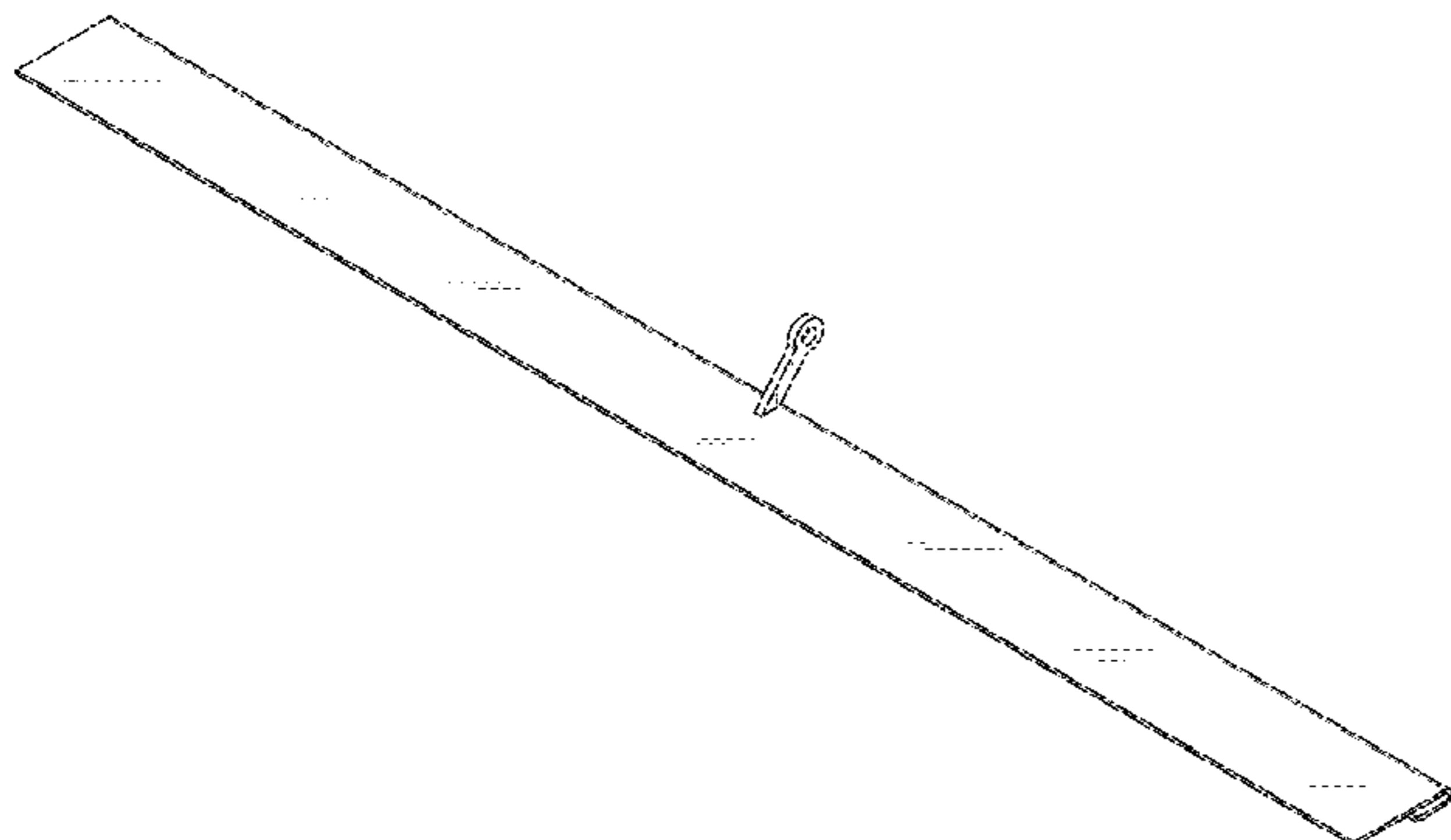
(57) **CLAIM**

The ornamental design for an elongated exercise bar, as
shown and described.

DESCRIPTION

FIG. 1 is a frontal perspective view of a first embodiment of
an elongated exercise bar showing our new design;
FIG. 2 is a front elevational view of the embodiment shown
in FIG. 1;
FIG. 3 is a top plan view of the embodiment shown in FIG.
1;
FIG. 4 is a rear elevational view of the embodiment shown
in FIG. 1;
FIG. 5 is a bottom plan view of the embodiment shown in
FIG. 1;
FIG. 6 is a left side elevational view of the embodiment
shown in FIG. 1;
FIG. 7 is a right side elevational view of the embodiment
shown in FIG. 1;
FIG. 8 is a rear perspective view of the embodiment shown
in FIG. 1;
FIG. 9 is a frontal perspective view of a second embodiment
of an elongated exercise bar showing our new design;
FIG. 10 is a front elevational view of the embodiment shown
in FIG. 9;
FIG. 11 is a top plan view of the embodiment shown in FIG.
9;
FIG. 12 is a rear elevational view of the embodiment shown
in FIG. 9;
FIG. 13 is a bottom plan view of the embodiment shown in
FIG. 9;
FIG. 14 is a left side elevational view of the embodiment
shown in FIG. 9;
FIG. 15 is a right side elevational view of the embodiment
shown in FIG. 9; and,
FIG. 16 is a rear perspective view of the embodiment shown
in FIG. 9.

1 Claim, 10 Drawing Sheets



(58) **Field of Classification Search**

CPC A63B 21/4035; A63B 21/4047; A63B 21/0628; A63B 23/0211; A63B 23/03525; A63B 21/068; A63B 23/1218; A63B 23/1209; A63B 1/00

See application file for complete search history.

(56) **References Cited**

U.S. PATENT DOCUMENTS

D262,730	S	1/1982	Lambert, Jr. et al.	
D305,256	S	12/1989	Pearson	
D317,032	S	5/1991	Eckler	
5,076,578	A	12/1991	Askonen	
D324,894	S	3/1992	Porcello	
5,312,314	A	5/1994	Stephan et al.	
5,613,928	A *	3/1997	Laudone A63B 23/03525	482/100
D394,482	S	5/1998	Colonello	
5,761,767	A	6/1998	Barton	
D396,510	S	7/1998	Marney	
6,220,988	B1	4/2001	Williams	
2,093,698	A1	8/2006	Chen	
D549,414	S	8/2007	Van Landingham, Jr.	
D565,133	S	3/2008	Mollet	
2,350,437	A1	4/2008	Mangano et al.	
D577,276	S	9/2008	Matijevic	
7,993,245	B1	8/2011	Dorfman	
D662,161	S	6/2012	Miller	
D704,779	S	5/2014	Boatwright	
D716,625	S	11/2014	Pereyra	
D725,455	S	3/2015	Carlini	
D728,039	S	4/2015	Groshek et al.	
9,254,410	B1	2/2016	Mirza	
D777,625	S	1/2017	Chang	
D786,518	S *	5/2017	Szekely D32/35	
D812,158	S	3/2018	Campanaro et al.	
D812,159	S	3/2018	Campanaro et al.	
D815,575	S	4/2018	Temmerman	
D818,058	S *	5/2018	Barton D21/679	
D818,059	S *	5/2018	Barton D21/679	
D818,060	S *	5/2018	Barton D21/679	
D818,061	S *	5/2018	Barton D21/679	
D818,063	S *	5/2018	Barton D21/694	
D843,506	S *	3/2019	Campanaro D21/679	
D907,723	S *	1/2021	Barton D21/694	
D908,818	S *	1/2021	Barton D21/679	
11,033,773	B1 *	6/2021	Barton A63B 23/1281	
D924,988	S *	7/2021	Barton D21/679	
D925,665	S *	7/2021	Barton D21/679	
2005/0143230	A1	6/2005	Dalebout et al.	
2006/0211552	A1	9/2006	Williams	
2010/0018341	A1	1/2010	Greppi	
2010/0186543	A1	7/2010	Menghini	
2013/0303348	A1	11/2013	Cardin	
2014/0287886	A1	9/2014	Patti	
2018/0001127	A1	1/2018	Caouette	

OTHER PUBLICATIONS

Gym Home by Gym Fitness Equipment dated no date found. Found online [Sep. 14, 2020] <https://www.aliexpress.com/item/1005001284898080.html?src=google&albch=shopping&acnt=494->

037-6276&isdl=y&slnk=&plac=&mtctp=&albbt=Google_7_shopping &aff_platform=google&aff_short_key=UneMJZVf&&albagn=888888 &albc=9765953191&albag=103.*

Braco 3 by Berenson dated Oct. 14, 2019. Found online [Sep. 14, 2020] <https://tinyurl.com/yyqvzkzpf>.*

Miseno by Berenson dated no date found. Found online [Sep. 14, 2020] <https://www.build.com/miseno-mcfh125/s1638241?uid=3883491&displaypla=1>.*

MAG Grip Products Webpage, MAG Maximum Advantage Grip Website, Web page <<http://maxagrip.com/products.html>>, 2 pages, dated Oct. 17, 2013, retrieved from Internet Archive Wayback Machine <<https://web.archive.org/web/20131017005713/http://maxagrip.com/products.html>> on Sep. 14, 2016.

Close Grip Neutral on MAG Grip Products Webpage, MAG Maximum Advantage Grip Website, Web page <<http://maxagrip.com/products.html>>, 2 pages, dated Oct. 17, 2013, retrieved from Internet Archive Wayback Machine <<https://web.archive.org/web/20131017005713/http://maxagrip.com/products.html>> on Sep. 14, 2016.

Close Grip Pronate on MAG Grip Products Webpage, MAG Maximum Advantage Grip Website, Web page <<http://maxagrip.com/products.html>>, 2 pages, dated Oct. 17, 2013, retrieved from Internet Archive Wayback Machine <<https://web.archive.org/web/20131017005713/http://maxagrip.com/products.html>> on Sep. 14, 2016.

Close Grip Supinate on MAG Grip Products Webpage, MAG Maximum Advantage Grip Website, Web page <<http://maxagrip.com/products.html>>, 2 pages, dated Oct. 17, 2013, retrieved from Internet Archive Wayback Machine <<https://web.archive.org/web/20131017005713/http://maxagrip.com/products.html>> on Sep. 14, 2016.

Medium Grip Neutral on MAG Grip Products Webpage, MAG Maximum Advantage Grip Website, Web page <<http://maxagrip.com/products.html>>, 2 pages, dated Oct. 17, 2013, retrieved from Internet Archive Wayback Machine <<https://web.archive.org/web/20131017005713/http://maxagrip.com/products.html>> on Sep. 14, 2016.

Medium Grip Pronate on MAG Grip Products Webpage, MAG Maximum Advantage Grip Website, Web page <<http://maxagrip.com/products.html>>, 2 pages, dated Oct. 17, 2013, retrieved from Internet Archive Wayback Machine <<https://web.archive.org/web/20131017005713/http://maxagrip.com/products.html>> on Sep. 14, 2016.

Medium Grip Supinate on MAG Grip Products Webpage, MAG Maximum Advantage Grip Website, Web page <<http://maxagrip.com/products.html>>, 2 pages, dated Oct. 17, 2013, retrieved from Internet Archive Wayback Machine <<https://web.archive.org/web/20131017005713/http://maxagrip.com/products.html>> on Sep. 14, 2016.

Michael Gundill by Michael Gundill dated Jun. 4, 2012. Found online [Jan. 2, 2017] <https://www.youtube.com/watch?v=r9GbFd2xuFQ>.

Products MAG Lat Bar by MAG dated no date given. Found online [Jan. 2, 2017] <http://maxagrip.com/products.html>.

* cited by examiner

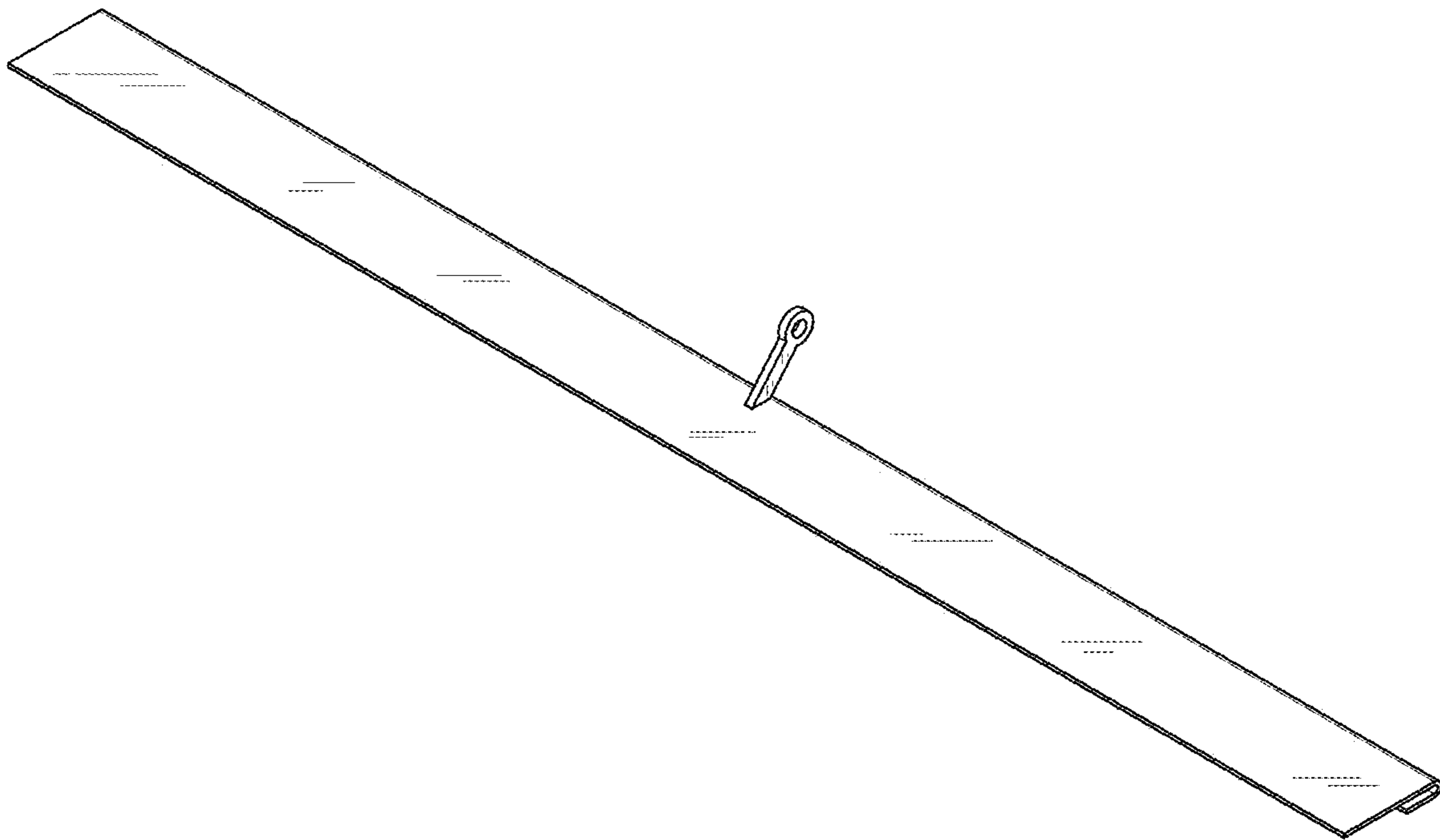


FIG. 1

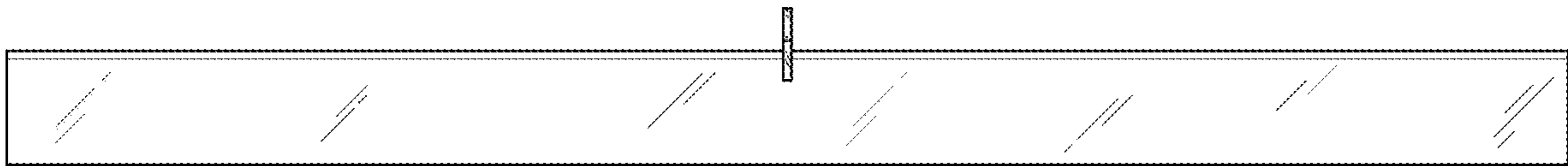


FIG. 2

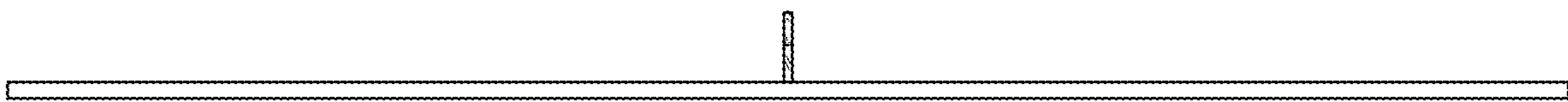


FIG. 3

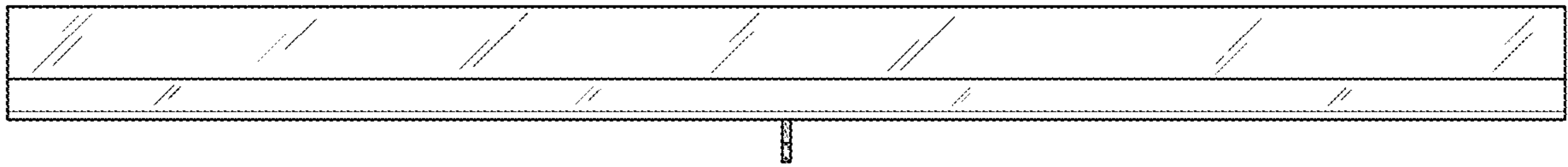


FIG. 4

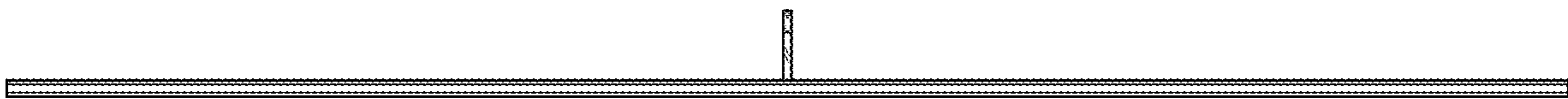


FIG. 5

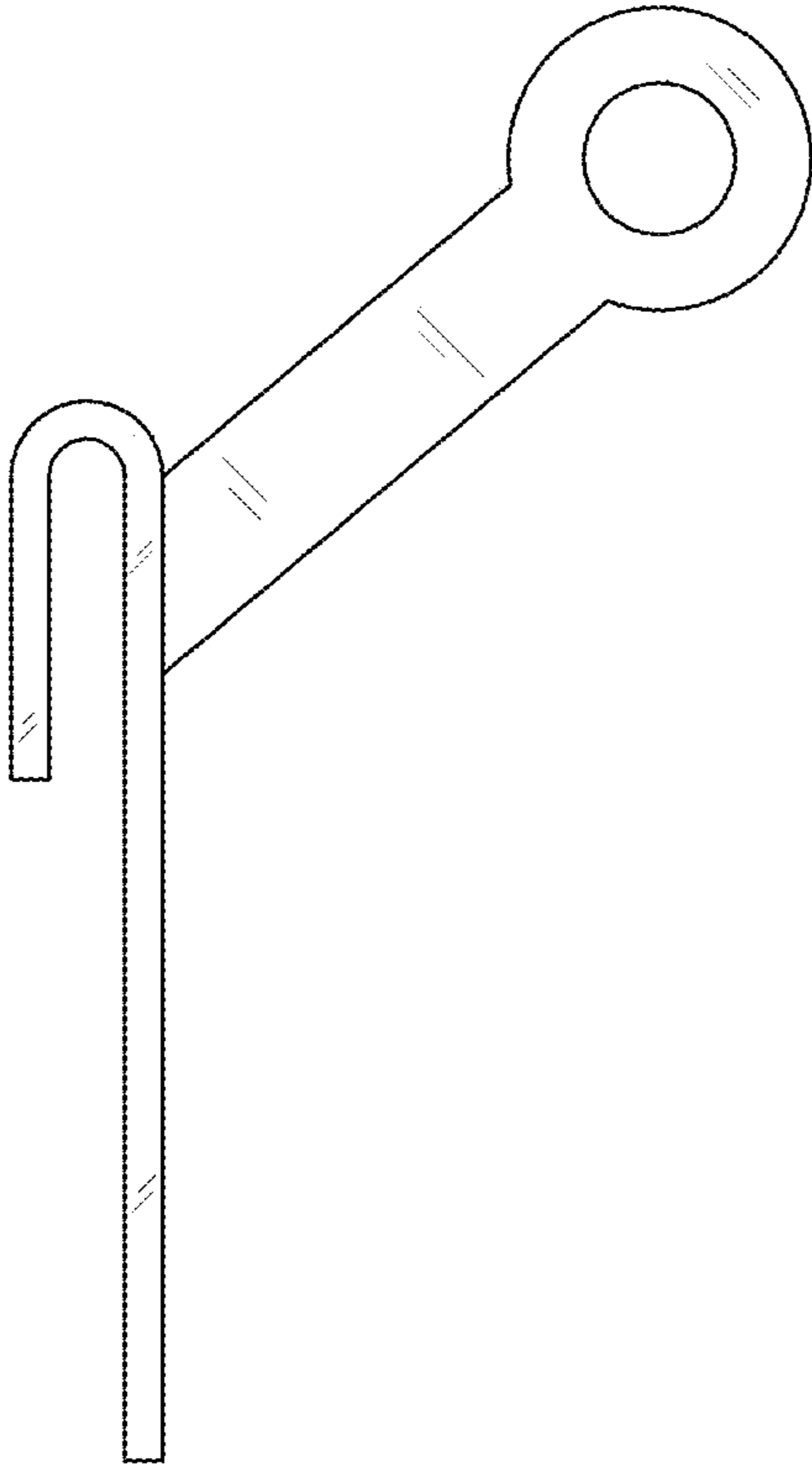


FIG. 6

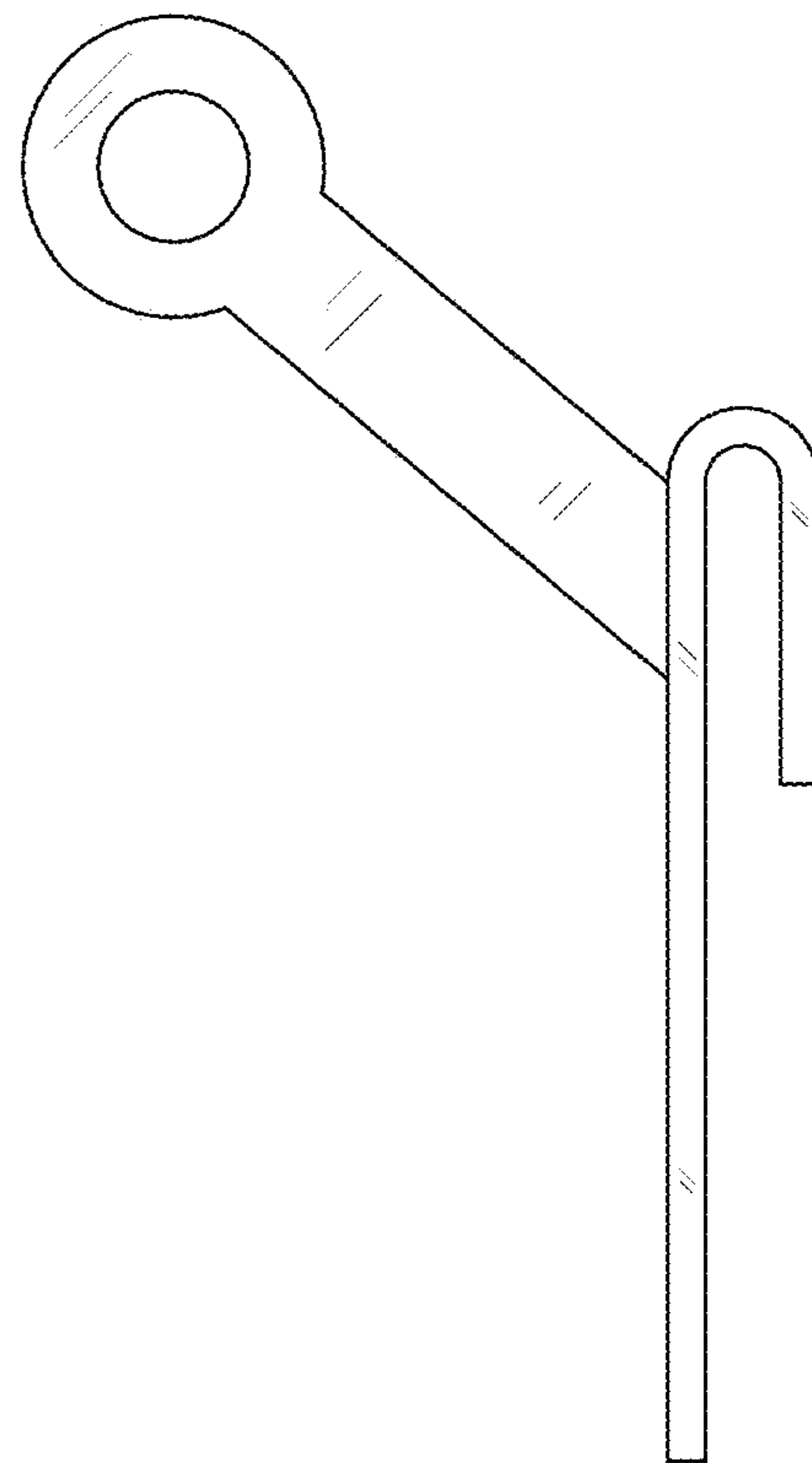


FIG. 7

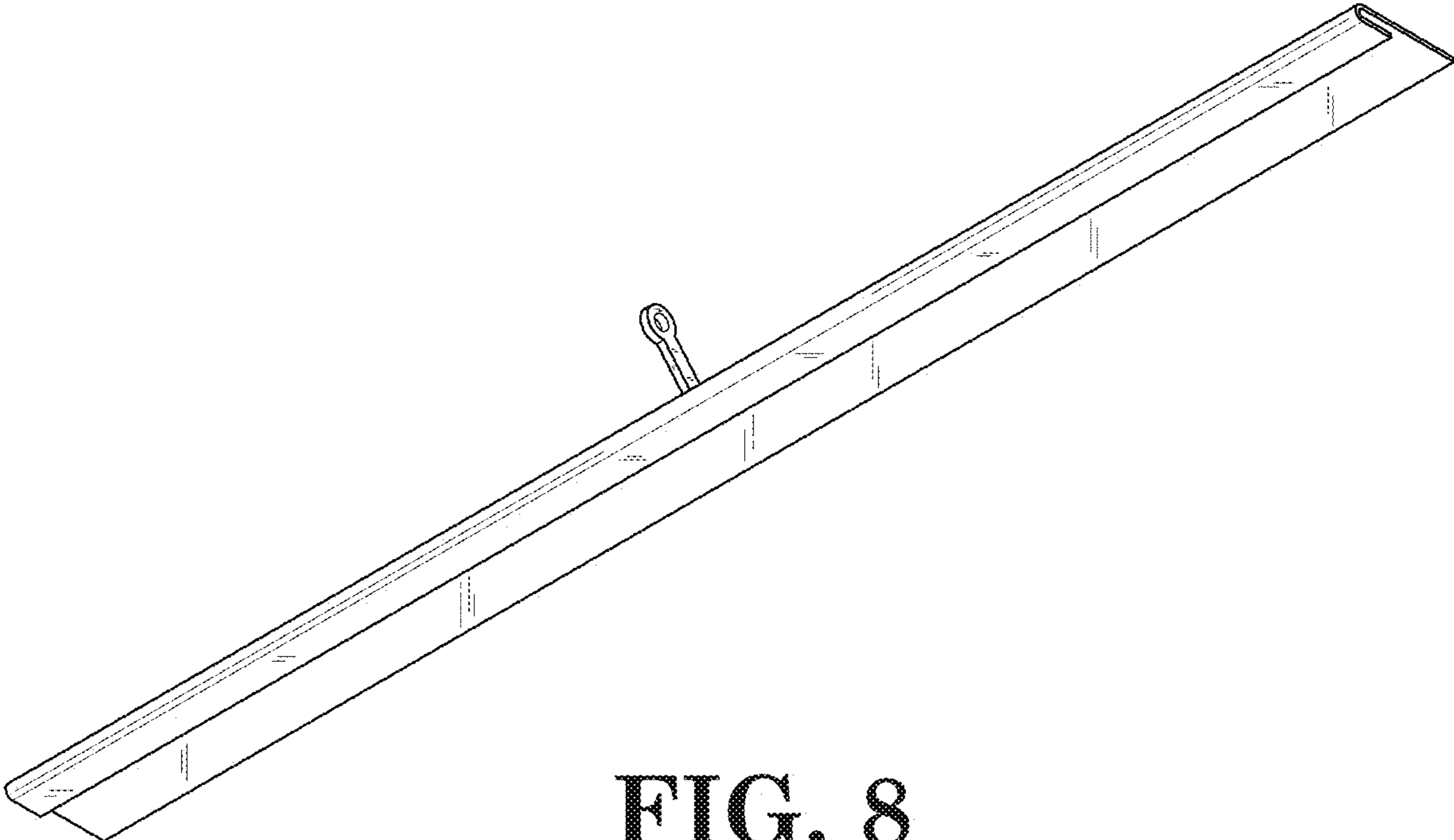


FIG. 8

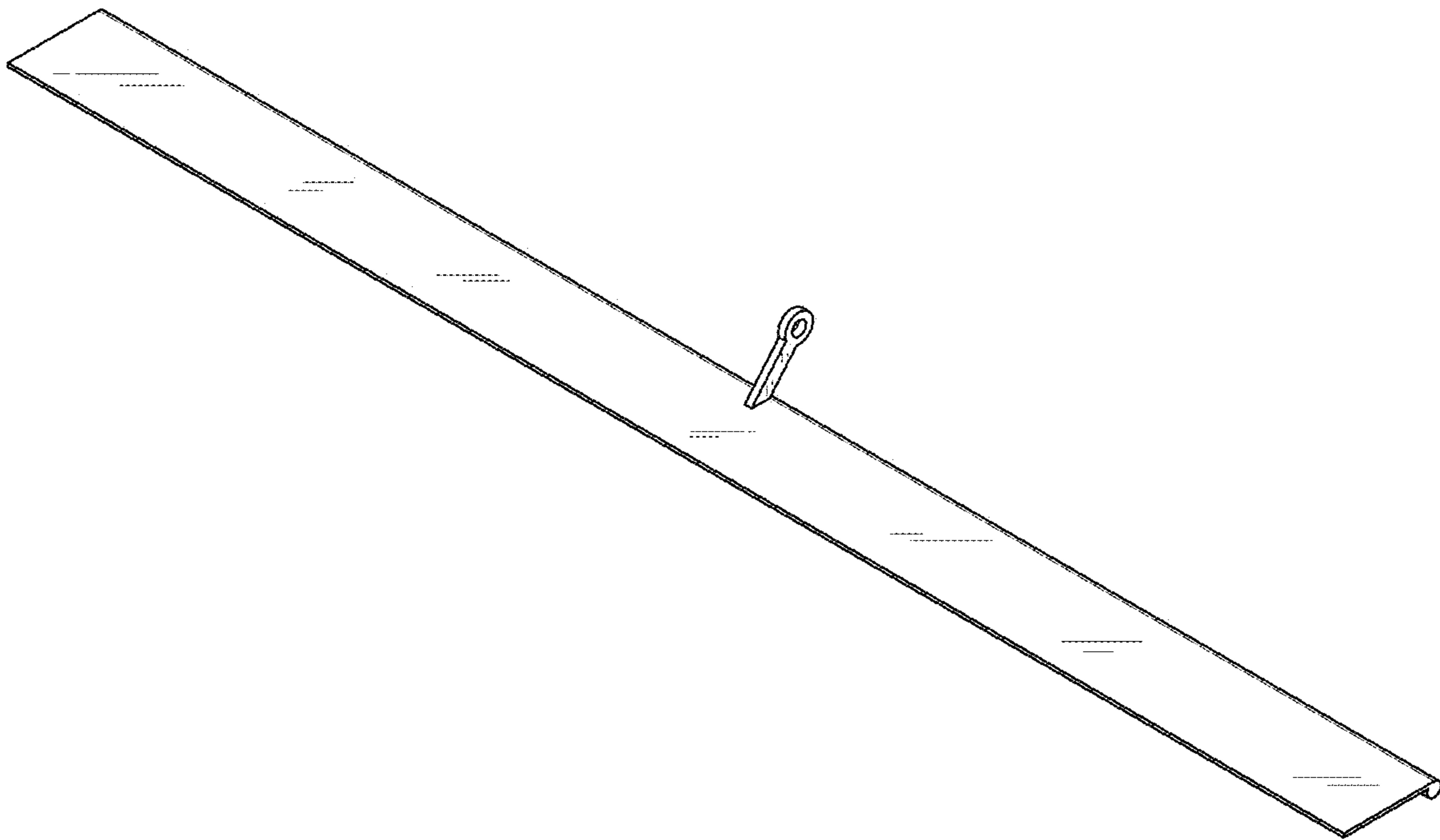


FIG. 9

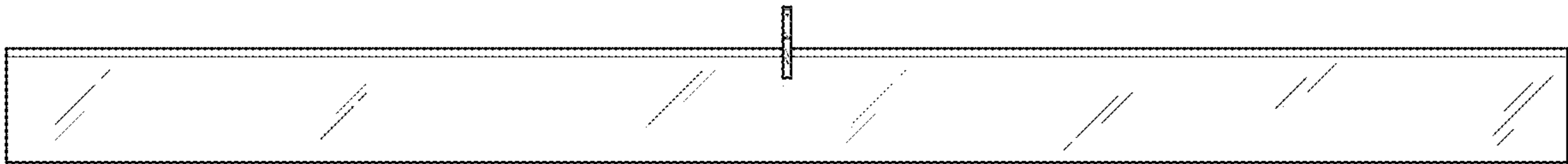


FIG. 10

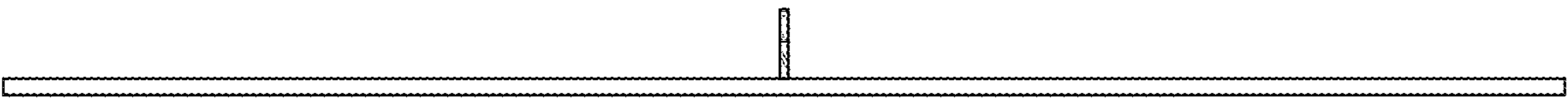


FIG. 11

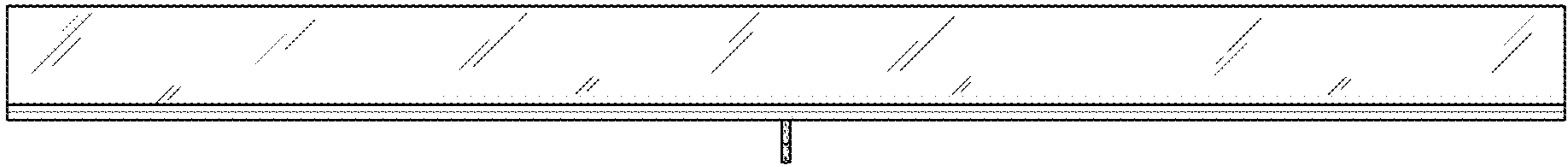


FIG. 12

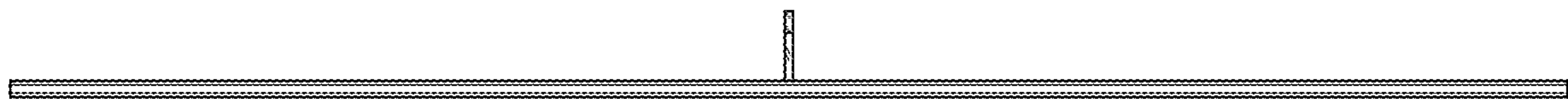


FIG. 13

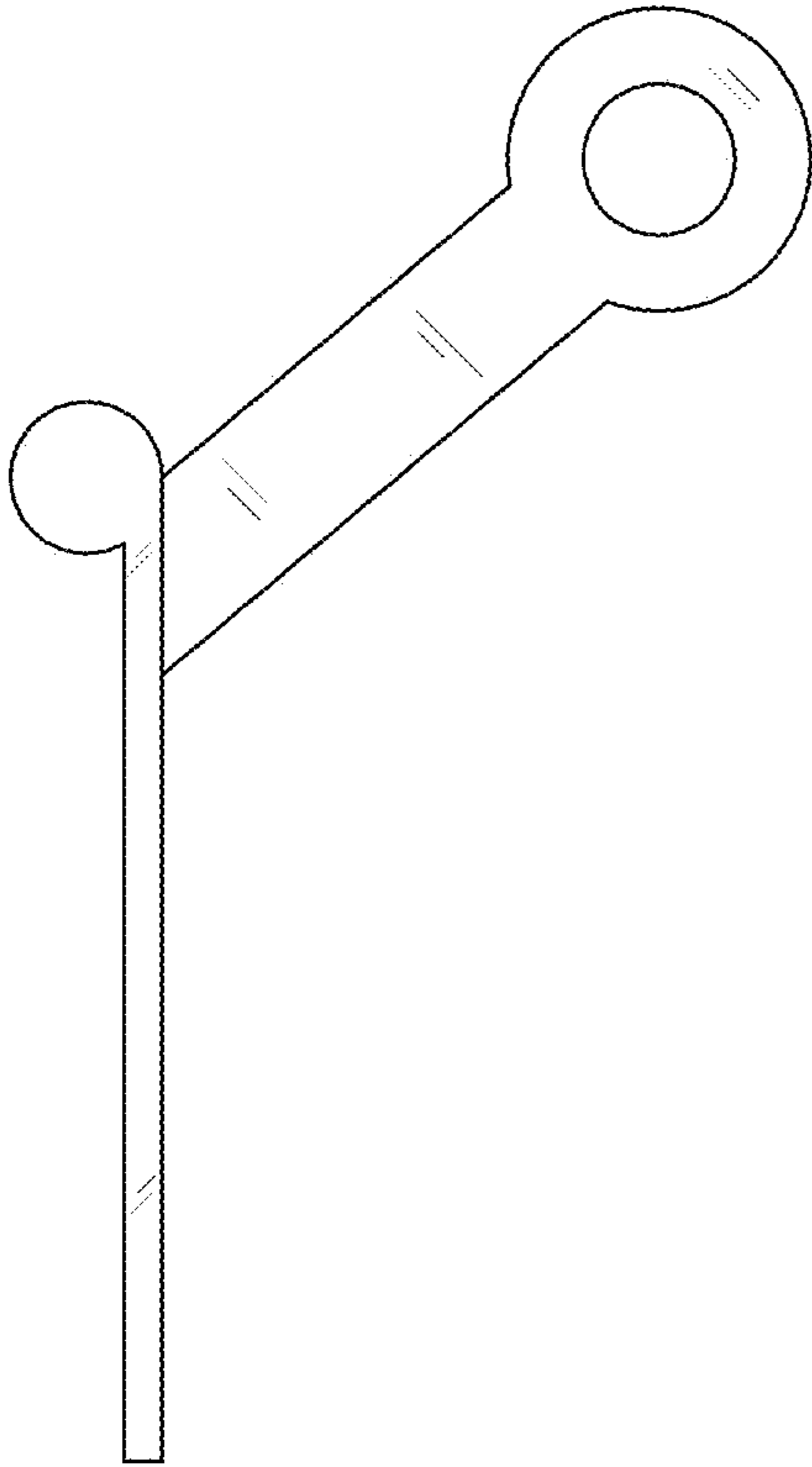


FIG. 14

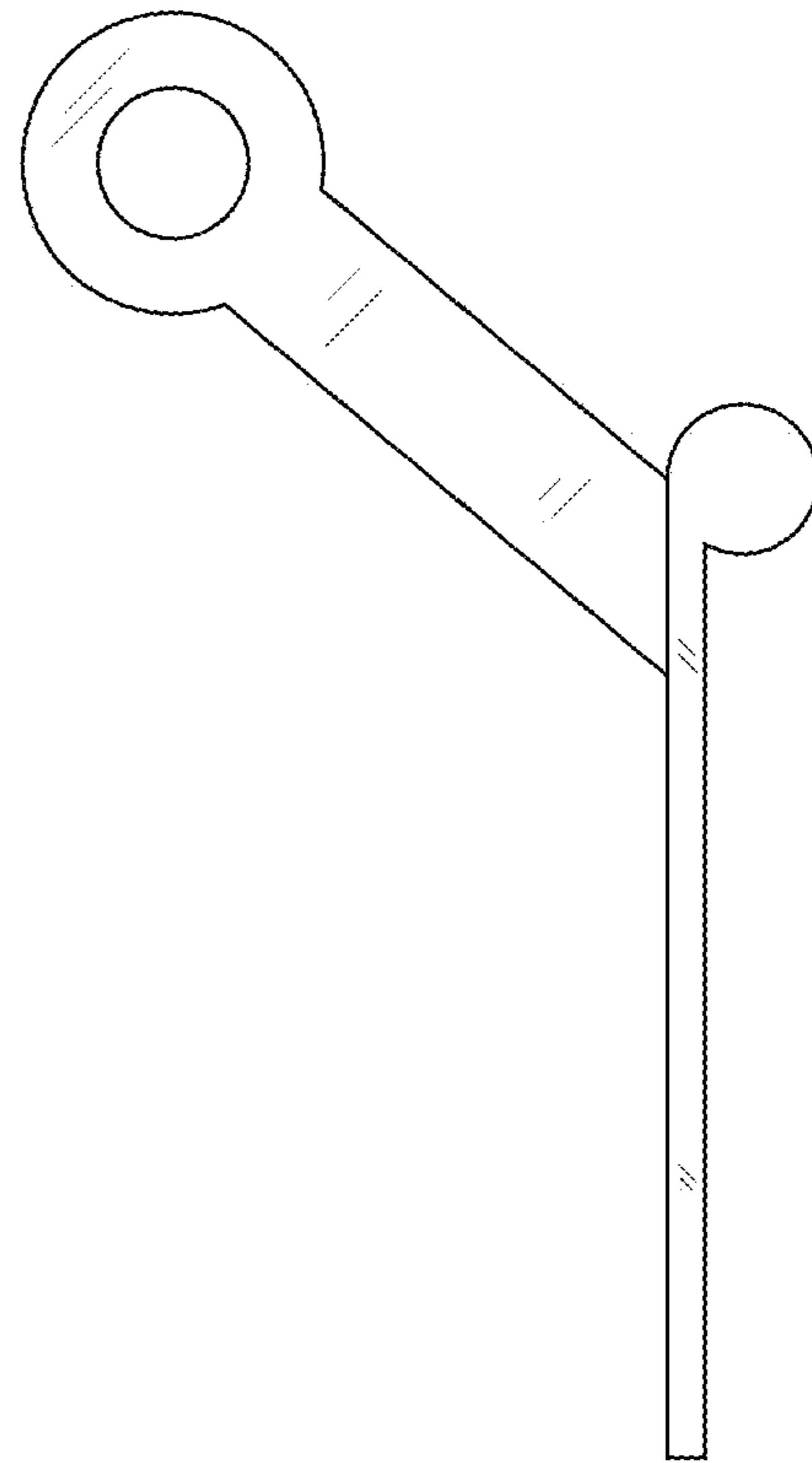


FIG. 15

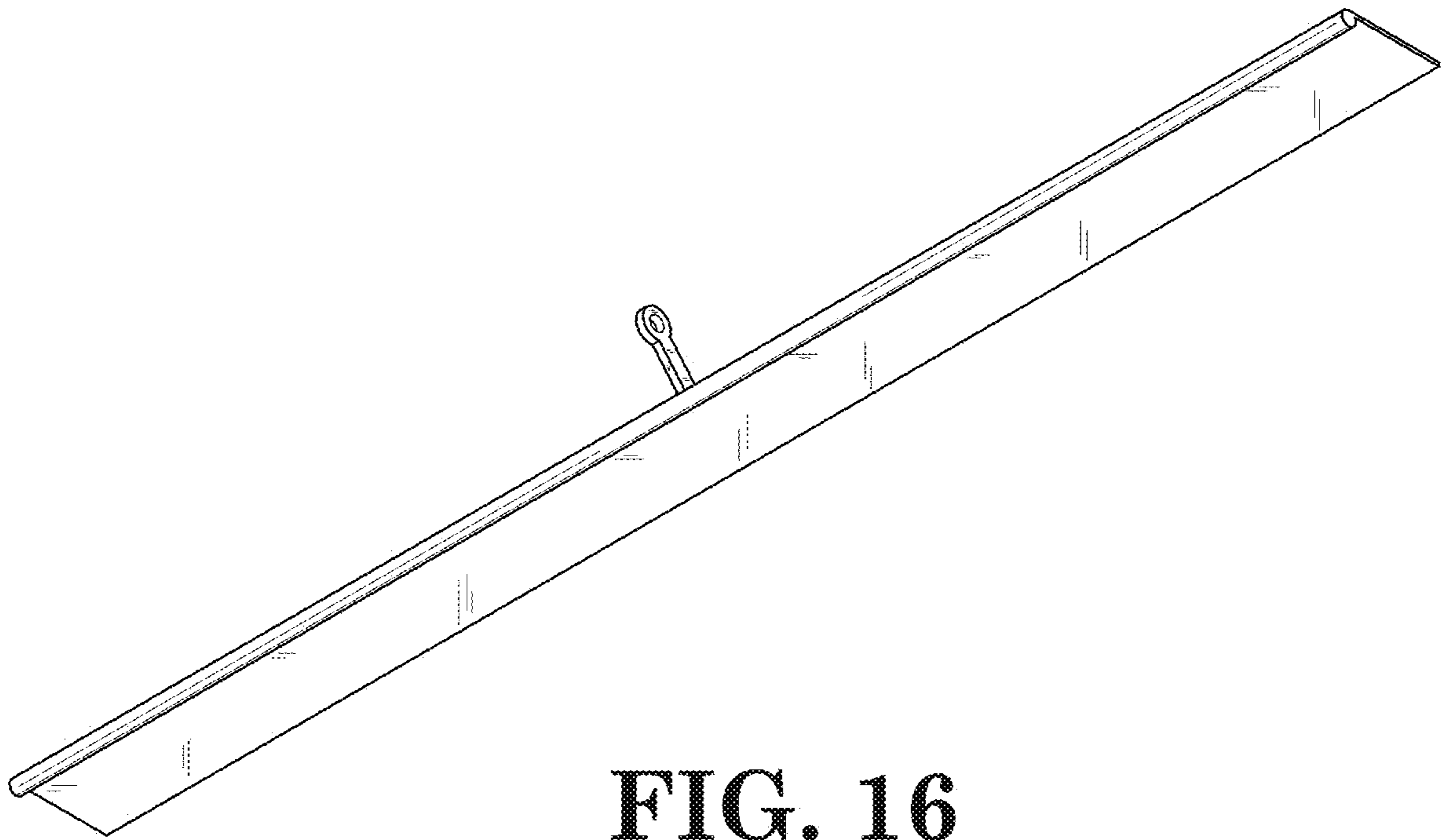


FIG. 16