



US00D949254S

(12) **United States Design Patent**
Johansen

(10) **Patent No.:** **US D949,254 S**

(45) **Date of Patent:** **** Apr. 19, 2022**

(54) **CARDIO EQUIPMENT**

(71) Applicant: **Kompan A/S**, Odense SØ (DK)

(72) Inventor: **Martin Nørgaard Johansen**, Odense SØ (DK)

(73) Assignee: **KOMPAN A/S**, Odense Sø (DK)

(**) Term: **15 Years**

(21) Appl. No.: **29/753,987**

(22) Filed: **Oct. 5, 2020**

Related U.S. Application Data

(63) Continuation of application No. 29/678,890, filed on Jan. 31, 2019, now Pat. No. Des. 900,256.

(51) **LOC (13) Cl.** **21-02**

(52) **U.S. Cl.**
USPC **D21/663**

(58) **Field of Classification Search**
USPC D12/400, 406, 407, 414; D21/662, 663, D21/665, 666, 667, 668, 669, 670, 671, D21/673, 685, 694, 696, 697
CPC A63B 2022/0641; A63B 2022/0647; A63B 21/225; A63B 21/4049

See application file for complete search history.

(56) **References Cited**

U.S. PATENT DOCUMENTS

D369,844 S *	5/1996	Dupuis	D21/663
D372,283 S *	7/1996	Chen	D21/663
D380,795 S *	7/1997	Wang	D21/663
D380,975 S	8/1997	Wang et al.		
D392,352 S *	3/1998	Hill	D21/663
D397,383 S *	8/1998	Sands	D21/663
D398,672 S *	9/1998	Sands	D21/663
D401,644 S *	11/1998	Chen	D21/663
D406,288 S *	3/1999	Chen	D21/663
D438,580 S *	3/2001	Shaw	D21/663

D438,581 S *	3/2001	Shaw	D21/663
D438,919 S *	3/2001	Shaw	D21/663
D446,266 S *	8/2001	Lin	D21/663
D450,100 S *	11/2001	Hsu	D21/694
D450,101 S *	11/2001	Hsu	D21/694
D451,972 S *	12/2001	Easley	D21/694
D452,285 S *	12/2001	Easley	D21/694
D459,776 S *	7/2002	Lee	D21/697
D463,835 S *	10/2002	Nishizawa	D21/663
D475,424 S *	6/2003	Lee	D21/694
6,669,603 B1 *	12/2003	Forcillo	A63B 21/015 482/51

(Continued)

OTHER PUBLICATIONS

Kompan, "City Bike with Touchscreen", Nov. 12, 2021. <https://www.kompan.us/sport-fitness/cardio/city-bike-touchscreen>. Shown on p. 1. (Year: 2021).*

(Continued)

Primary Examiner — Michael A Maharajh
(74) *Attorney, Agent, or Firm* — Polson Intellectual Property Law, PC; Margaret Polson

(57) **CLAIM**

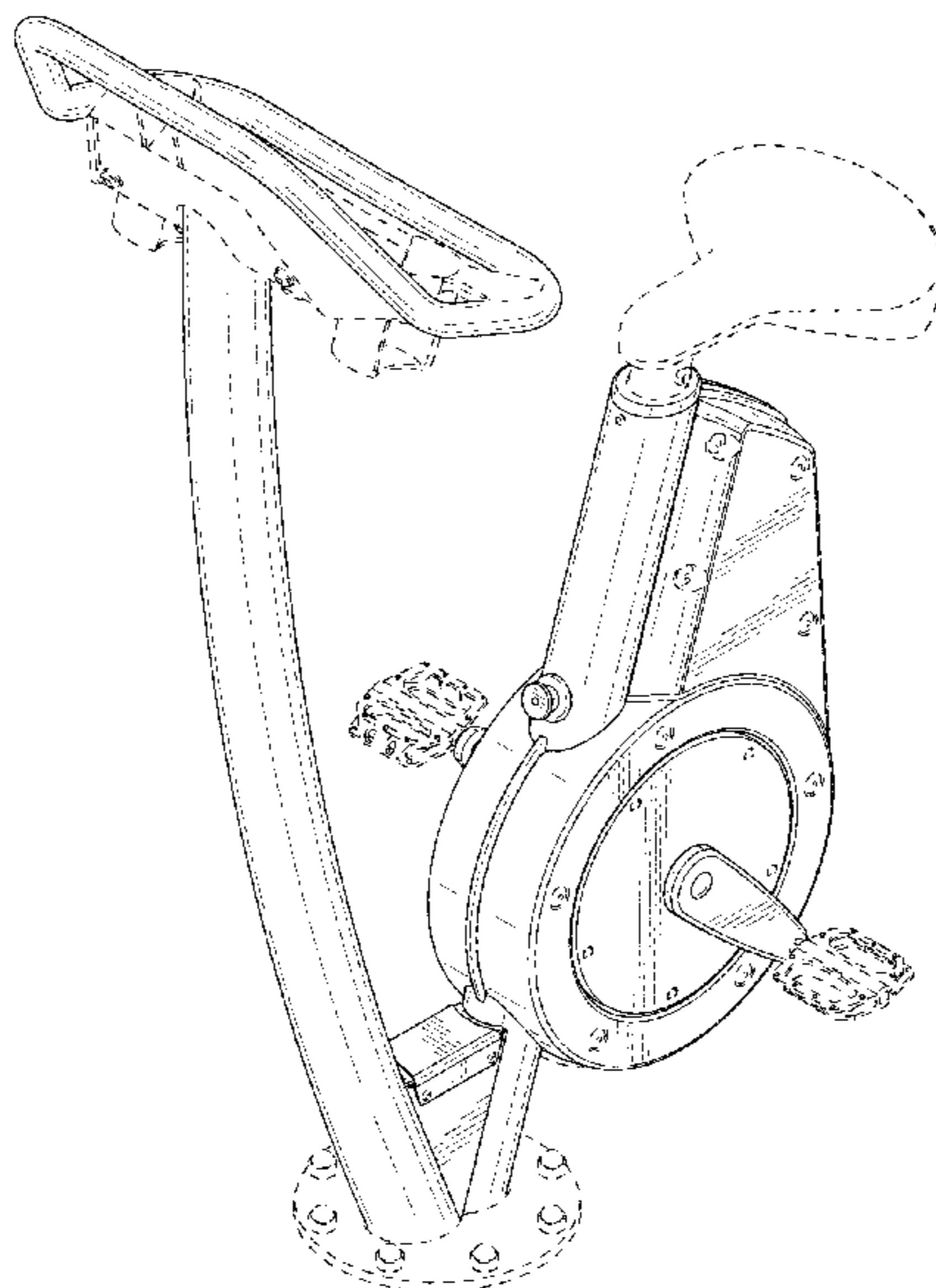
The ornamental design for cardio equipment, as shown and described.

DESCRIPTION

FIG. 1 is a front perspective view of cardio equipment; FIG. 2 is a front view of FIG. 1; FIG. 3 is a back view of FIG. 1; FIG. 4 is a left-side view of FIG. 1; FIG. 5 is a right-side view of FIG. 1; FIG. 6 is a top view of FIG. 1; and, FIG. 7 is a bottom view of FIG. 1.

The broken lines in the drawings are for the purposes of illustrating environmental structure, which form no part of the claimed design.

1 Claim, 7 Drawing Sheets



(56)

References Cited

U.S. PATENT DOCUMENTS

D558,841 S * 1/2008 Clawson D21/668
 D563,489 S * 3/2008 Giannelli D21/668
 D564,052 S * 3/2008 Brietlow D21/697
 D564,605 S * 3/2008 Chen D21/697
 D565,129 S * 3/2008 Chang D21/668
 D567,310 S * 4/2008 Chen D21/668
 D569,455 S * 5/2008 Dukhande D21/668
 D571,417 S * 6/2008 Su D21/667
 D579,989 S * 11/2008 Bingham, Jr. D21/667
 D586,409 S * 2/2009 Keiser D21/667
 D599,863 S * 9/2009 Quijada D21/665
 D606,599 S * 12/2009 Murray D21/668
 D616,050 S * 5/2010 Lull D21/667
 D624,612 S * 9/2010 Watt D21/667
 D625,762 S * 10/2010 Fon D21/667
 D636,449 S * 4/2011 Wu D21/667
 D637,245 S * 5/2011 Huber D21/667
 D649,203 S * 11/2011 Zhang D21/667
 D649,204 S * 11/2011 Zhang D21/667
 D654,125 S * 2/2012 van der Meer D21/667
 D656,566 S * 3/2012 Decommer D21/667
 D663,794 S * 7/2012 Bingham D21/664
 D666,685 S * 9/2012 Bingham D21/664

D676,508 S * 2/2013 Wu D21/667
 D677,349 S * 3/2013 Baudhuin D21/667
 D682,370 S * 5/2013 Bingham D21/664
 D699,796 S * 2/2014 Flick D21/667
 D709,566 S * 7/2014 Baudhuin D21/667
 D797,866 S * 9/2017 Yi-Tzu D21/663
 D818,057 S * 5/2018 Servadei D21/663
 D861,083 S * 9/2019 Kuprecht D21/663
 D873,933 S * 1/2020 Bennett D21/667
 D899,534 S * 10/2020 Chuang D21/667
 D900,256 S * 10/2020 Johansen D21/663
 D907,143 S * 1/2021 Ach D21/663
 D909,497 S * 2/2021 Goldberg D21/667

OTHER PUBLICATIONS

Youtube, "Kompan Fitness Bike", Mar. 4, 2019. <https://www.youtube.com/watch?v=Y3sSQkMrFQw>. (Year: 2019).*
 Pending design U.S. Appl. No. 29/678,890, filed Jan. 31, 2019. Per rule 609.07, copy not provided as this is available in the USPTO system.
 Applicant's 2017-2018 product catalog. 176 pages. All pages relevant.

* cited by examiner

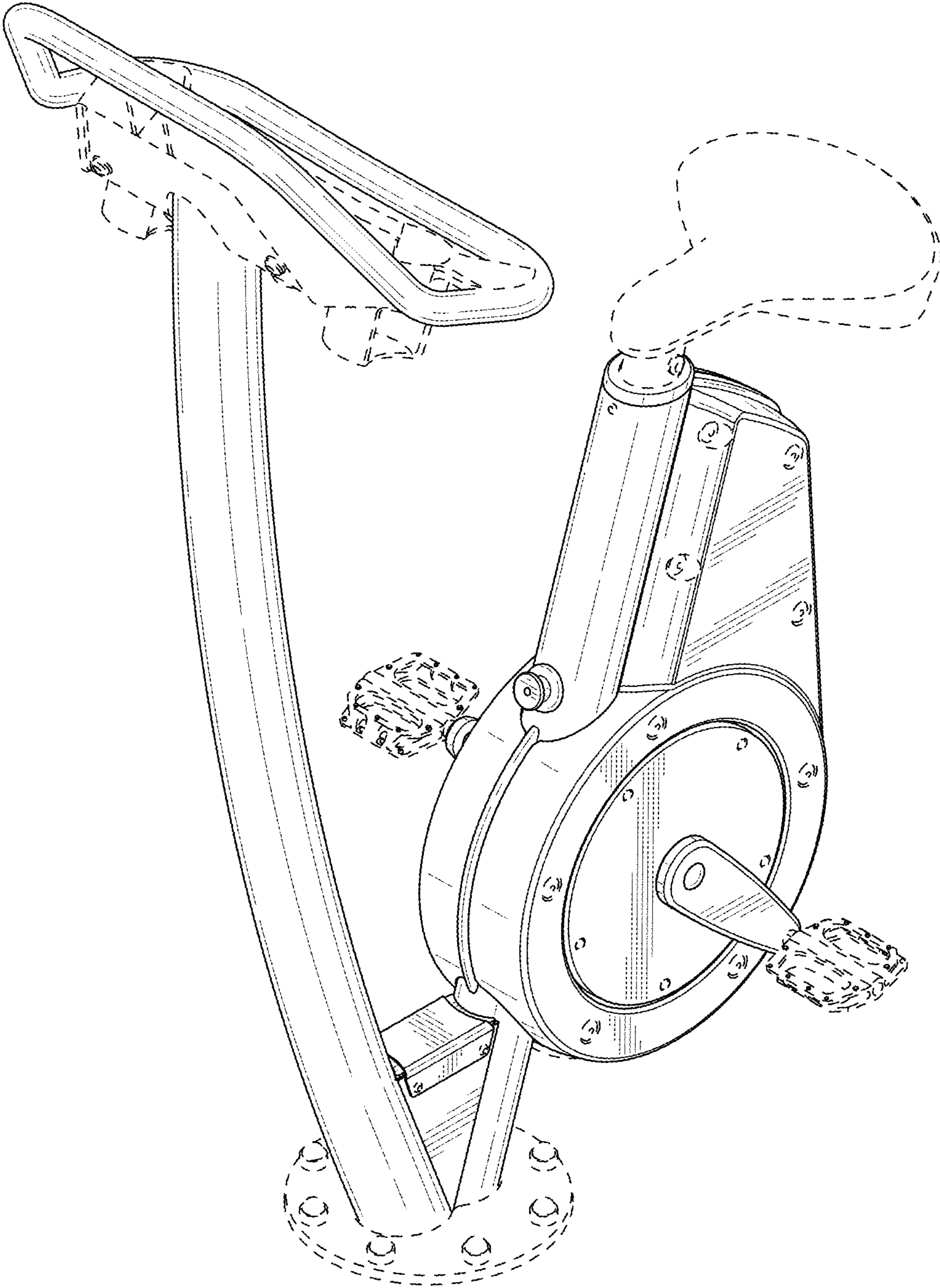


FIG. 1

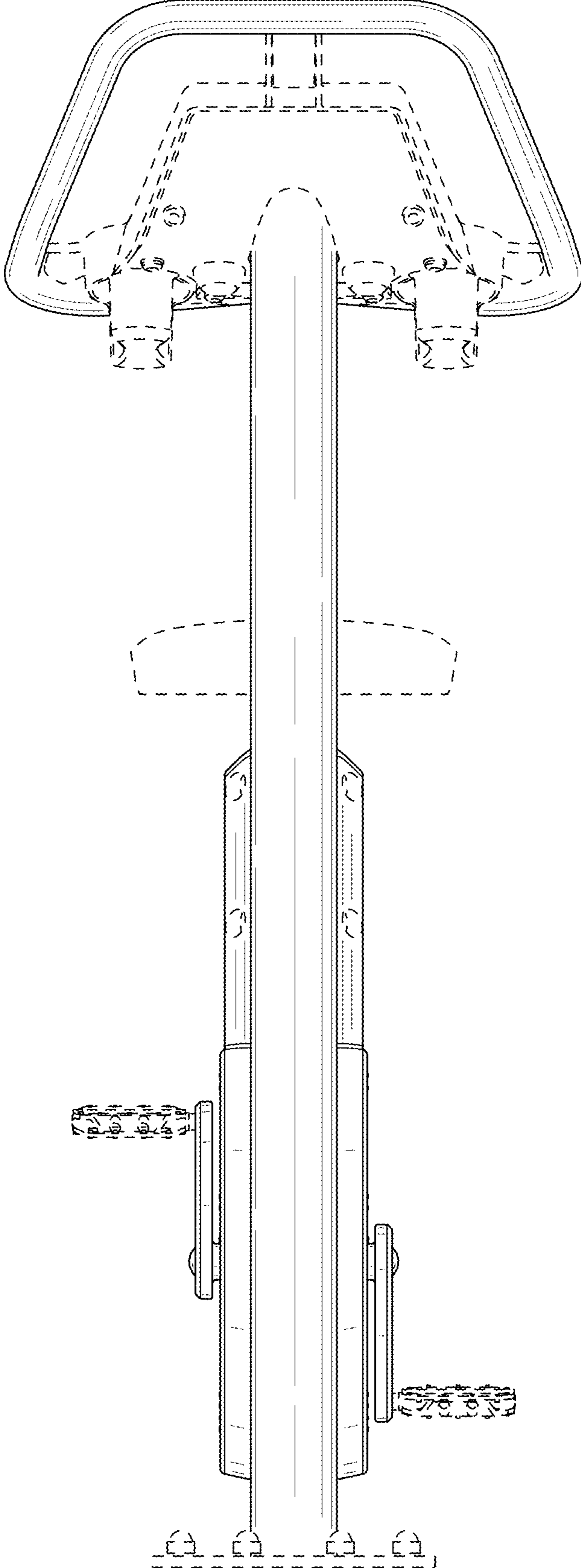


FIG. 2

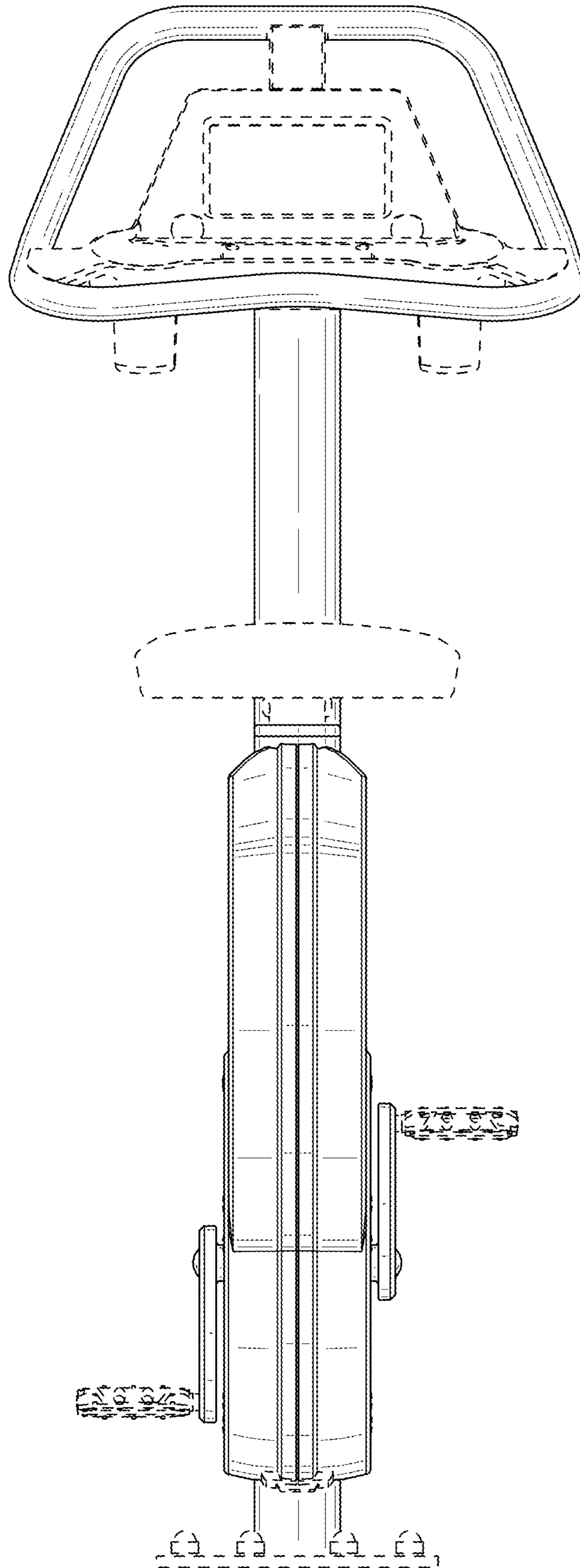


FIG. 3

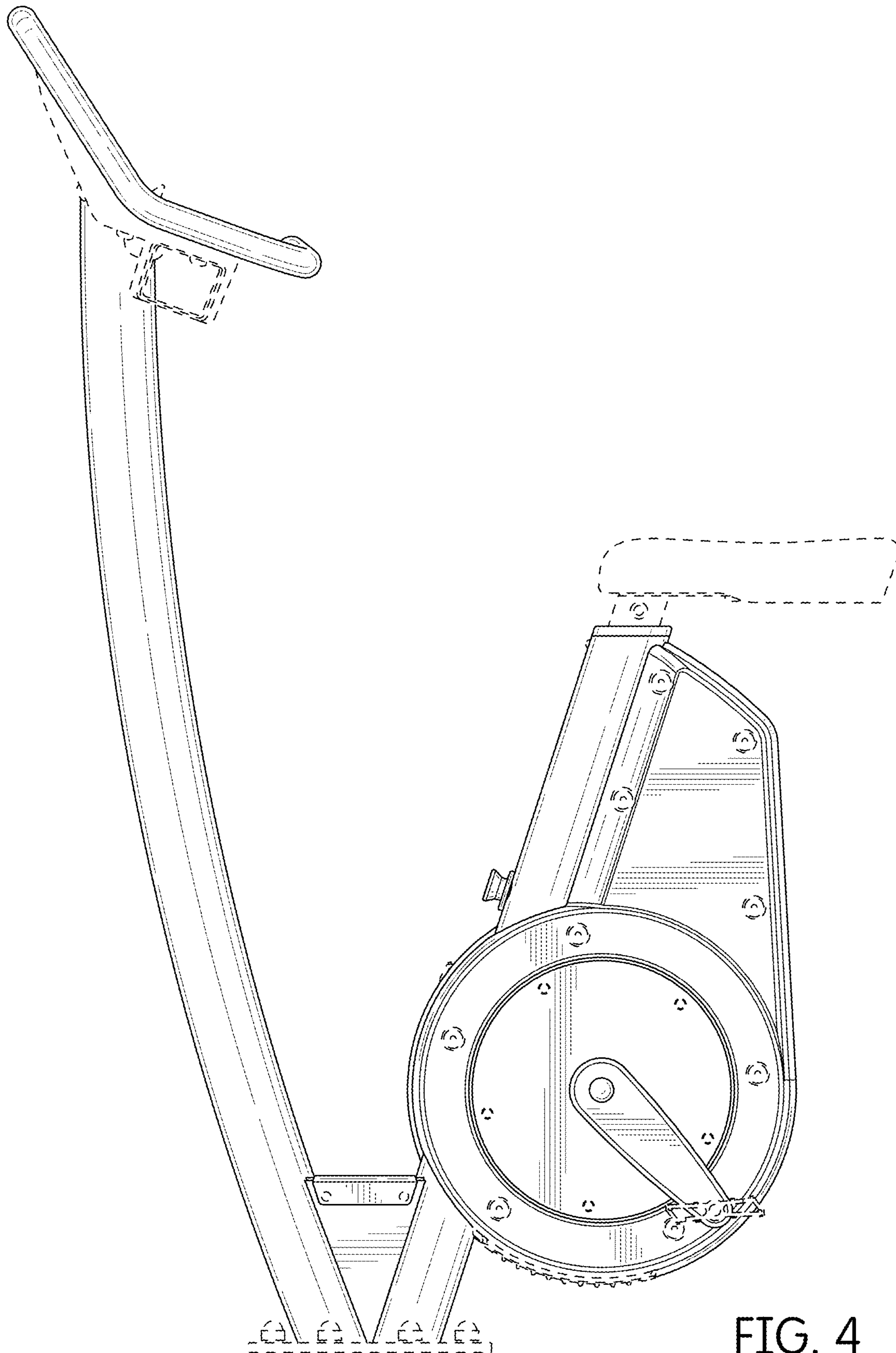


FIG. 4

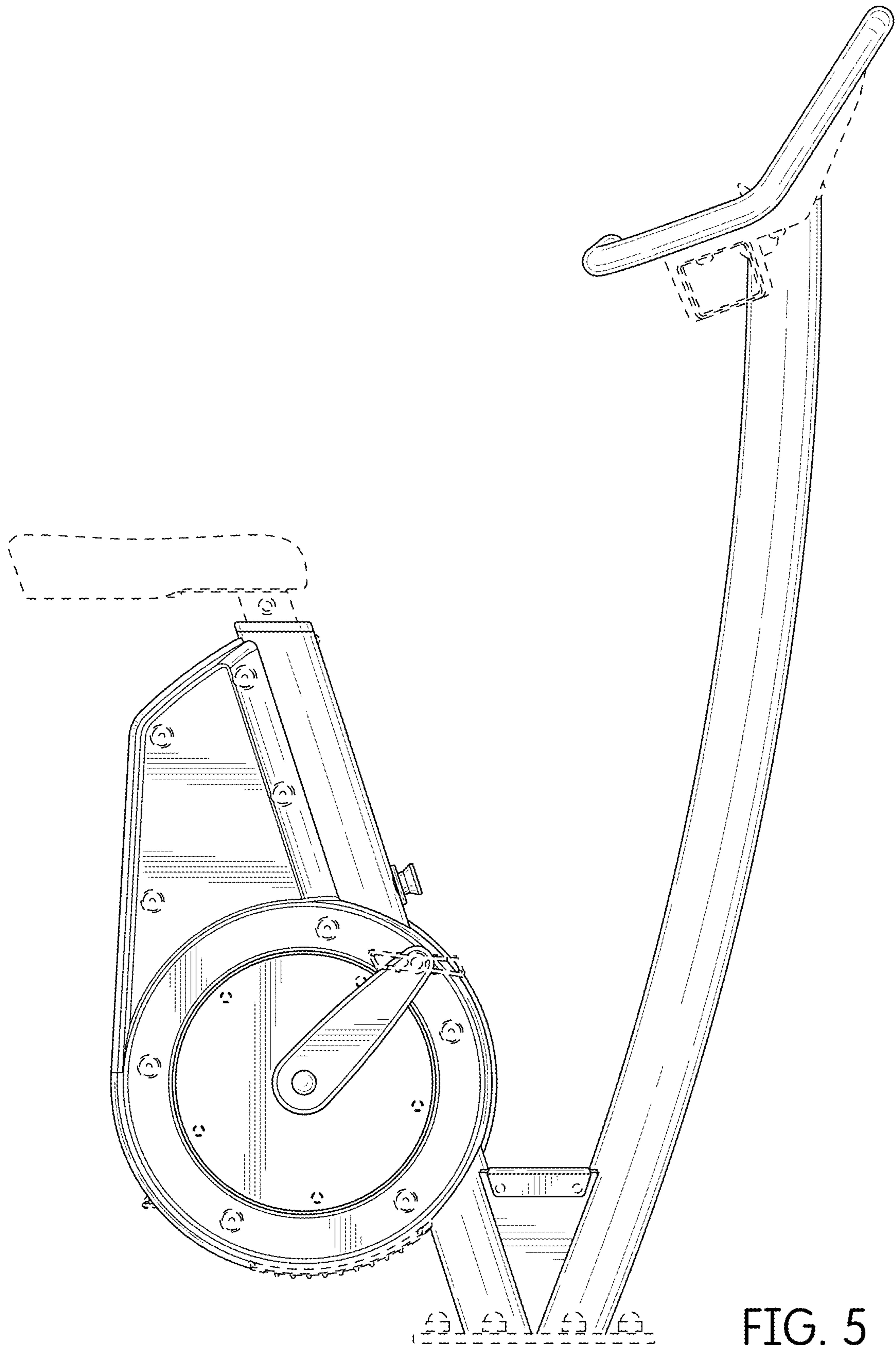


FIG. 5

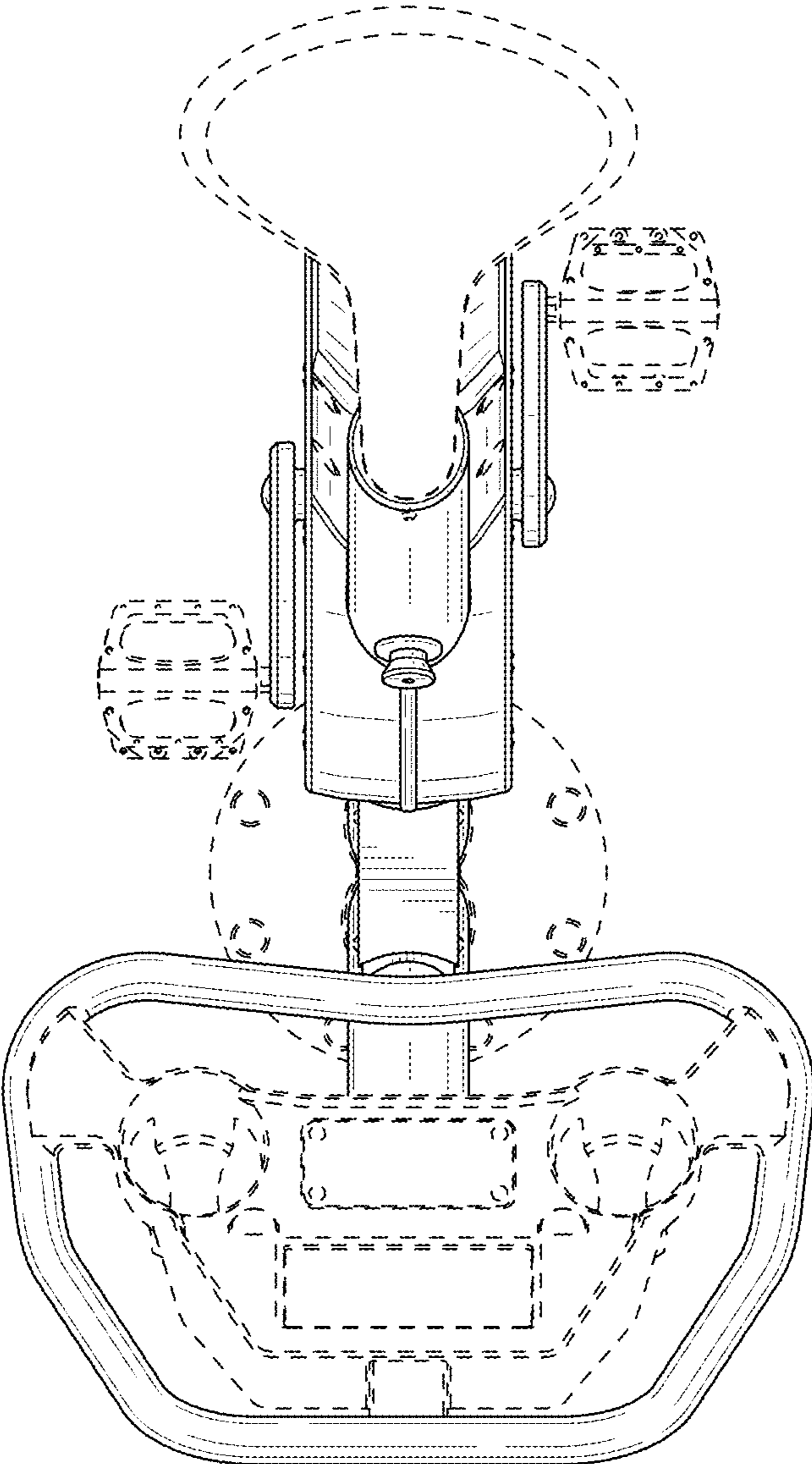


FIG. 6

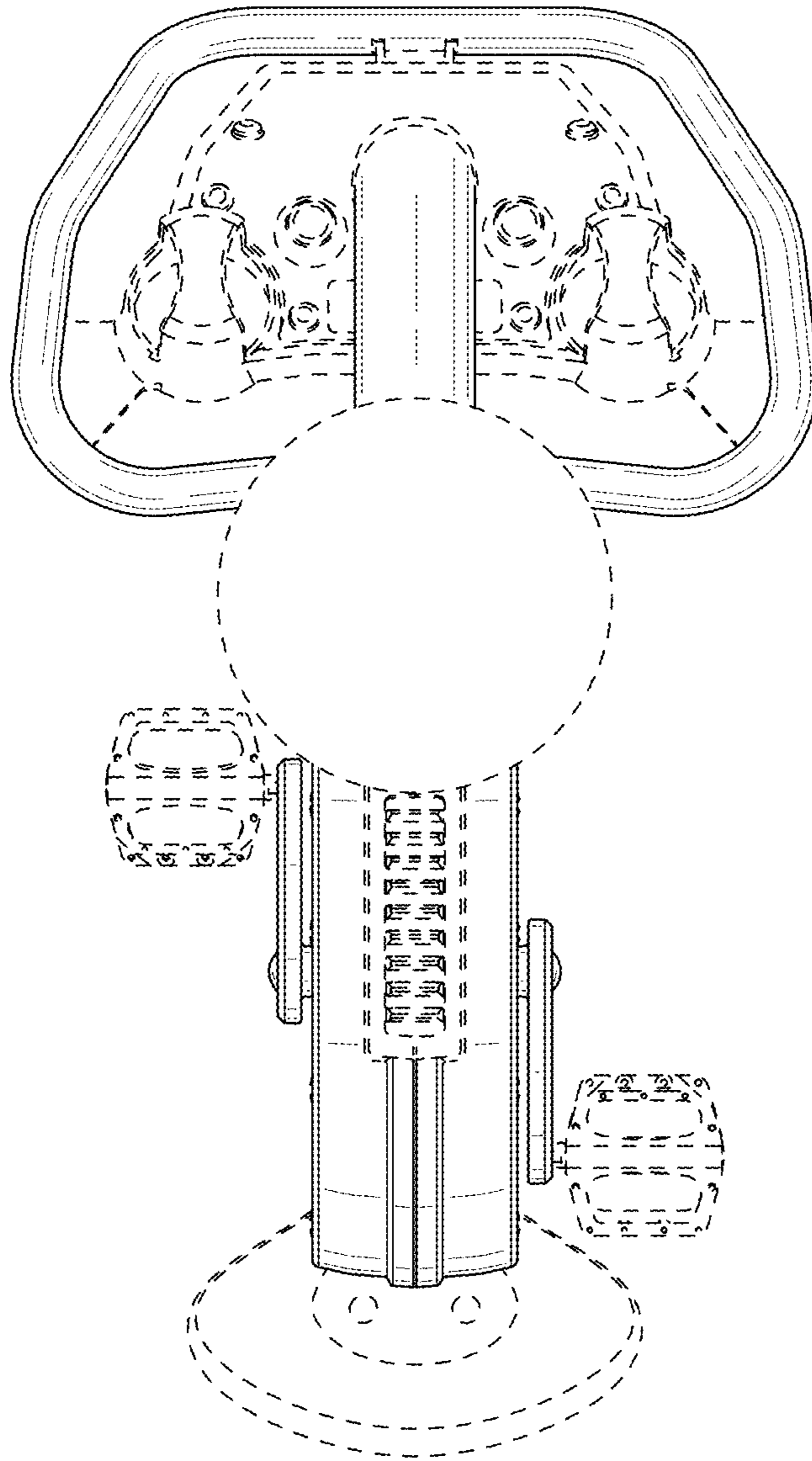


FIG. 7