



US00D949250S

(12) **United States Design Patent**  
**Kiribuchi**

(10) **Patent No.:** **US D949,250 S**

(45) **Date of Patent:** **\*\* Apr. 19, 2022**

(54) **ASSEMBLING TOY**

(71) Applicant: **People Co., Ltd.**, Tokyo (JP)

(72) Inventor: **Masato Kiribuchi**, Tokyo (JP)

(73) Assignee: **PEOPLE CO., LTD.**, Tokyo (JP)

(\*\*) Term: **15 Years**

(21) Appl. No.: **29/795,855**

(22) Filed: **Jun. 21, 2021**

(30) **Foreign Application Priority Data**

Dec. 24, 2020 (JP) ..... 2020-028062

(51) **LOC (13) Cl.** ..... **21-01**

(52) **U.S. Cl.**  
USPC ..... **D21/598**; D21/658

(58) **Field of Classification Search**  
USPC ..... D11/57, 134, 137, 158, 162, 141;  
D21/490, 576, 96, 598, 599, 602, 611,  
D21/618-620, 661, 653, 656, 658  
See application file for complete search history.

(56) **References Cited**

**U.S. PATENT DOCUMENTS**

D267,333 S *	12/1982	Sassak	.....	D21/598
D272,932 S *	3/1984	Sassak	.....	D21/598
D319,756 S *	9/1991	Kimura	.....	D7/680
D333,685 S *	3/1993	Rodriguez	.....	D21/598
D356,836 S *	3/1995	Pedersen	.....	D21/598
D401,036 S *	11/1998	Clegg	.....	D2/869
D469,495 S *	1/2003	Greenberg	.....	D21/598
D513,239 S *	12/2005	Irizarry-Esquilin	.....	D13/184
D532,056 S *	11/2006	Boutin	.....	D21/598
D621,449 S *	8/2010	Wong	.....	D21/572
D633,350 S *	3/2011	Welch	.....	D8/38
D634,775 S *	3/2011	Cornell	.....	D16/342

D731,001 S *	6/2015	Phillips	.....	D21/598
D834,675 S *	11/2018	Hsu	.....	D21/808
D853,509 S *	7/2019	Zucchelli	.....	B63C 9/08
				D21/808
D864,501 S *	10/2019	Seadler	.....	D30/160
D903,013 S *	11/2020	Deutsch	.....	D21/598

\* cited by examiner

*Primary Examiner* — Michael C Stout

*Assistant Examiner* — Melvin L Davis

(74) *Attorney, Agent, or Firm* — Leydig Voit & Mayer, Ltd.

(57) **CLAIM**

The ornamental design for an assembling toy, as shown and described.

**DESCRIPTION**

FIG. 1 is a front view of an assembling toy of the present invention.

FIG. 2 is a rear view thereof.

FIG. 3 is a top plan view thereof.

FIG. 4 is a bottom plan view thereof.

FIG. 5 is a right side view thereof.

FIG. 6 is a left side view thereof.

FIG. 7 is a perspective view thereof.

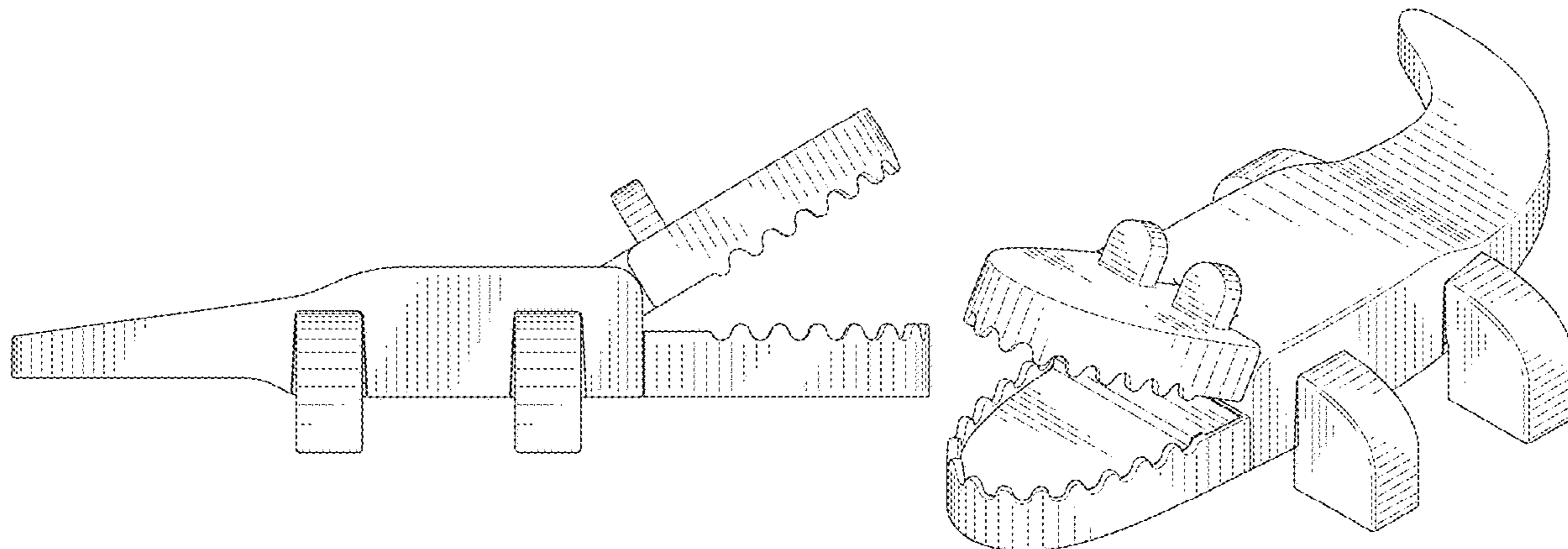
FIG. 8 is a front view thereof with mouth in closed state.

FIG. 9 is a sectional view thereof taken along section line 9-9 of FIG. 6; and,

FIG. 10 is a sectional view thereof taken along section line 10-10 of FIG. 6.

The broken line showing of the assembling toy is for the purpose of illustrating portions of the article that forms no part of the claimed design. The dot-dash boundary line demarcates the boundary of the claimed area.

**1 Claim, 10 Drawing Sheets**



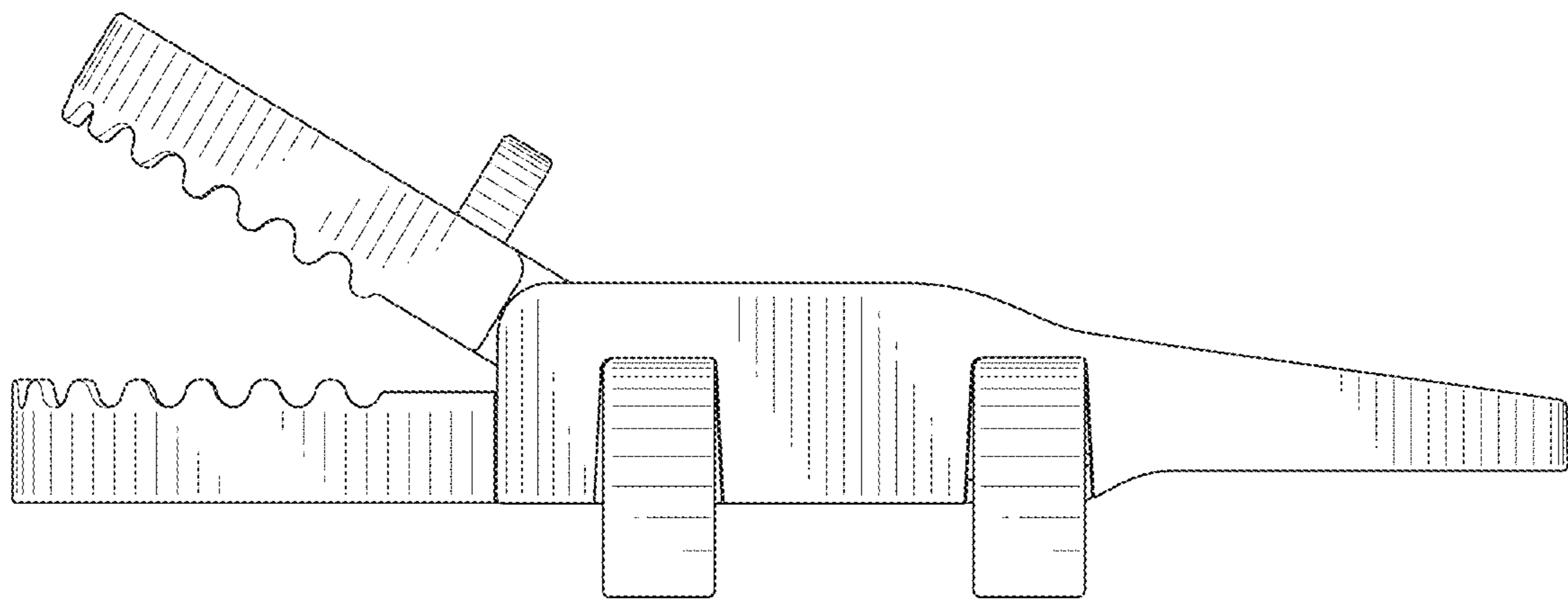


FIG. 1

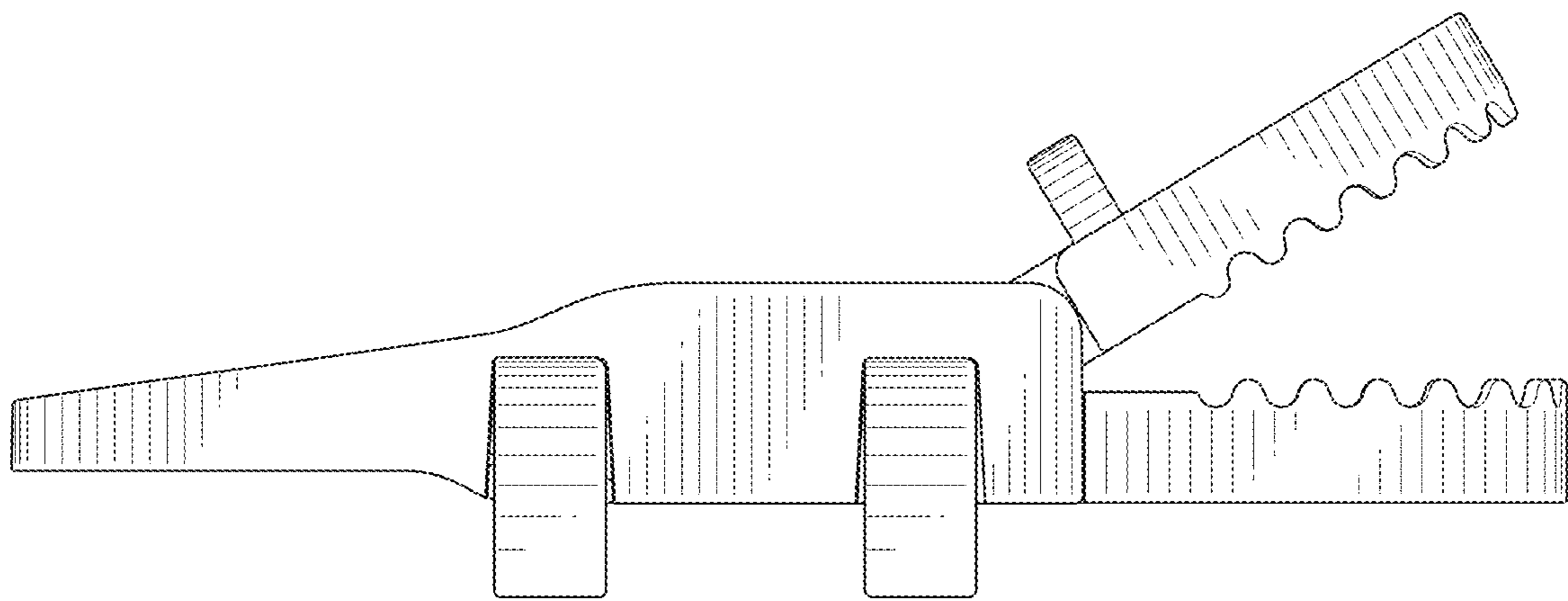


FIG. 2

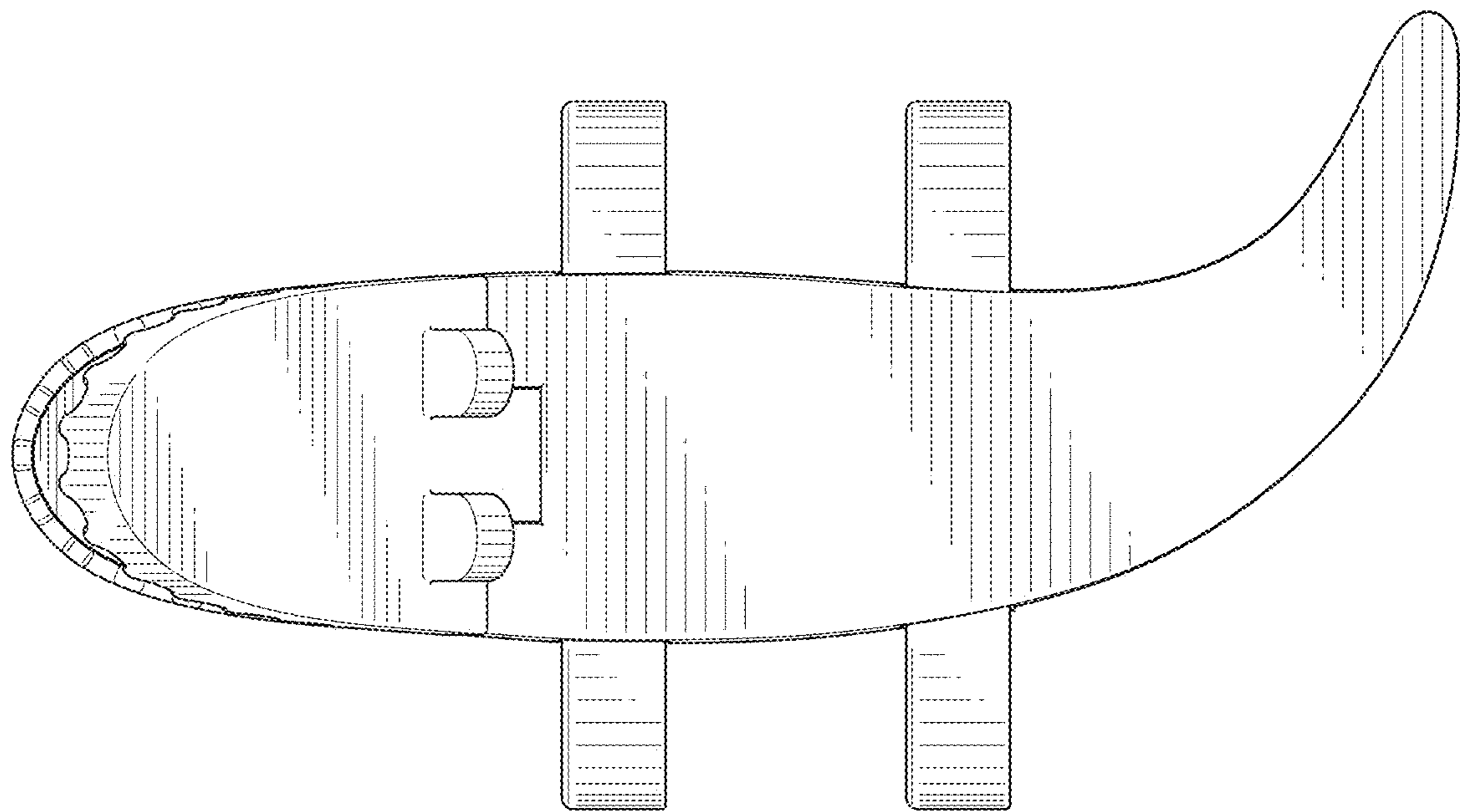


FIG. 3

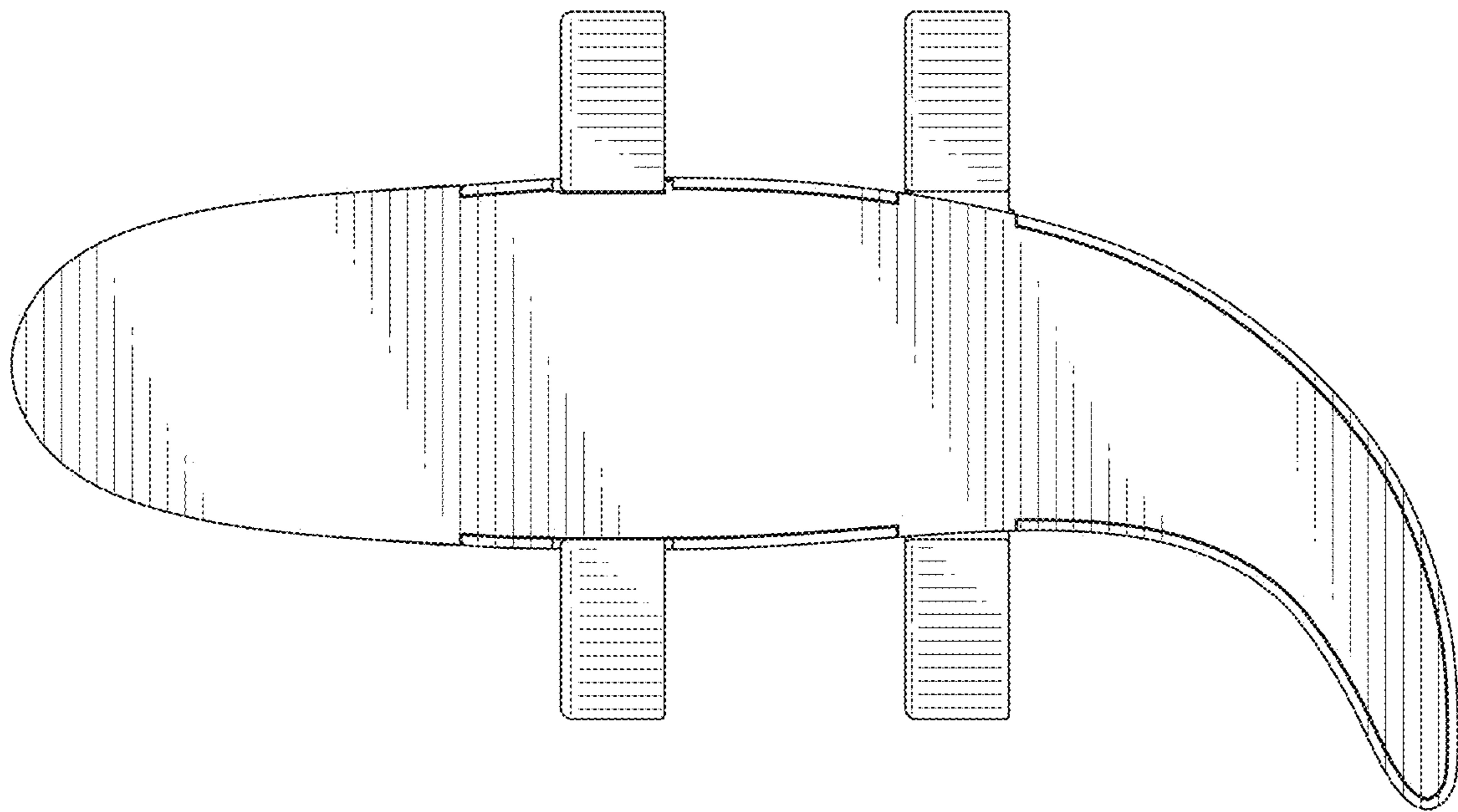


FIG. 4

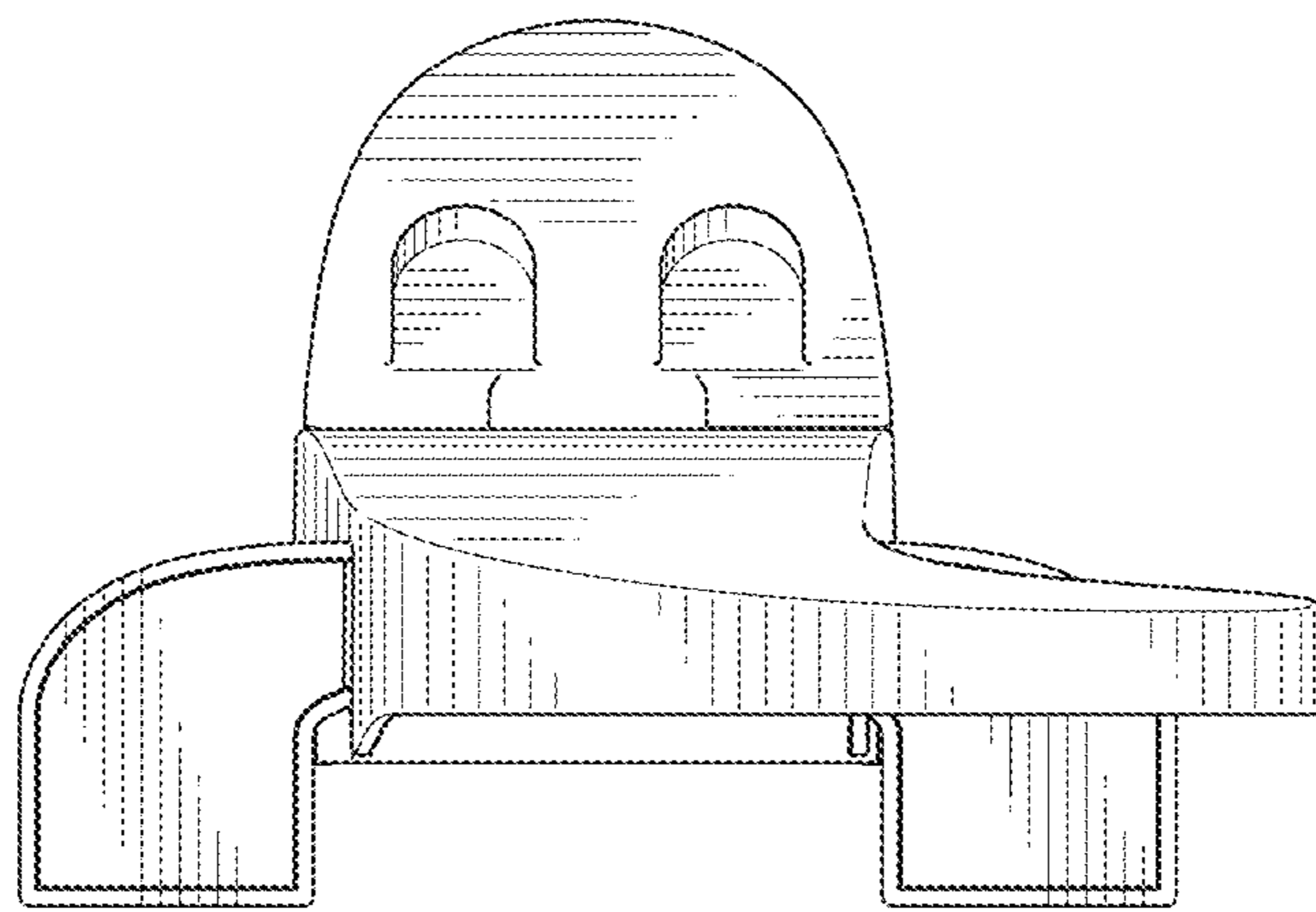


FIG. 5

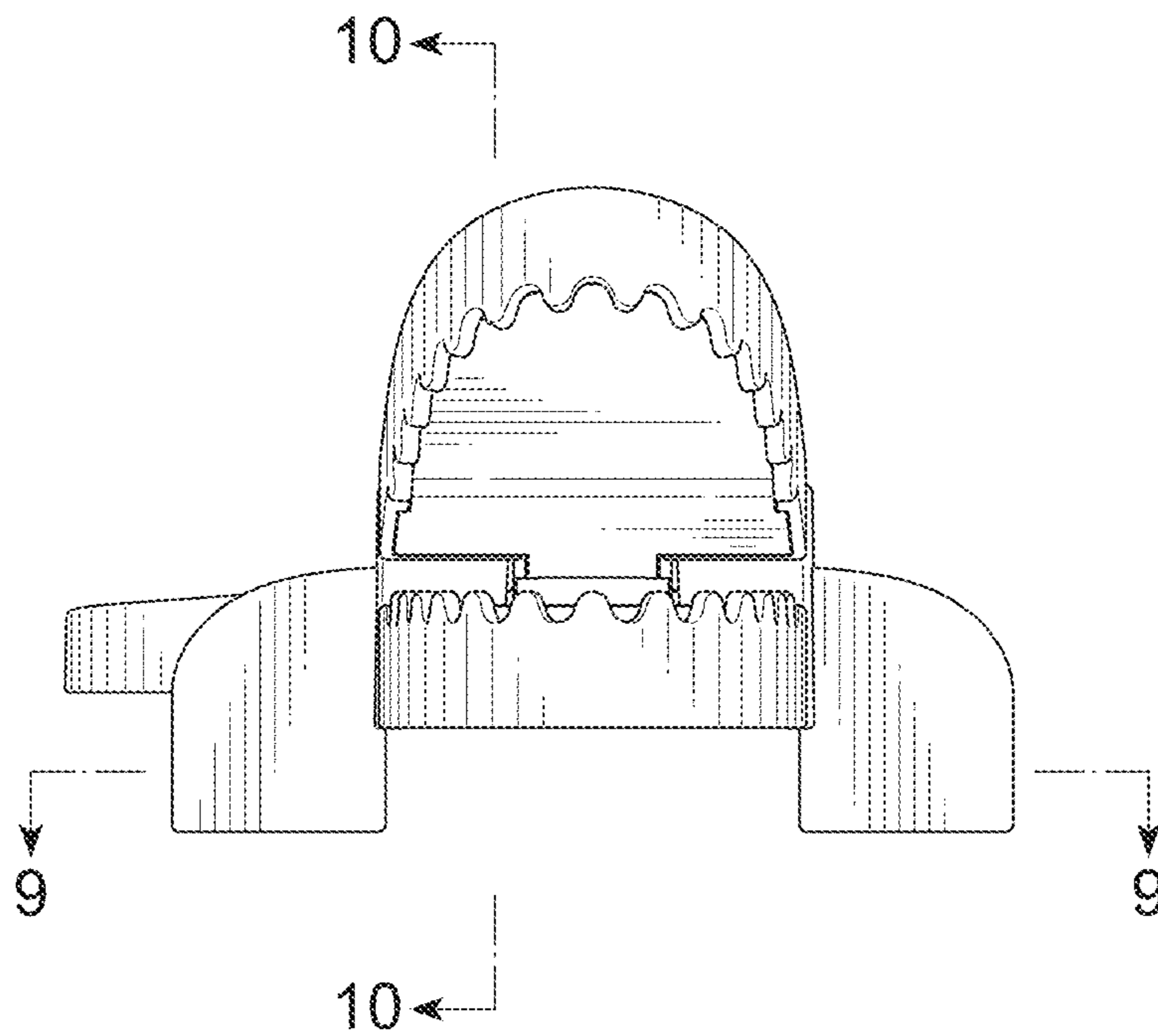


FIG. 6

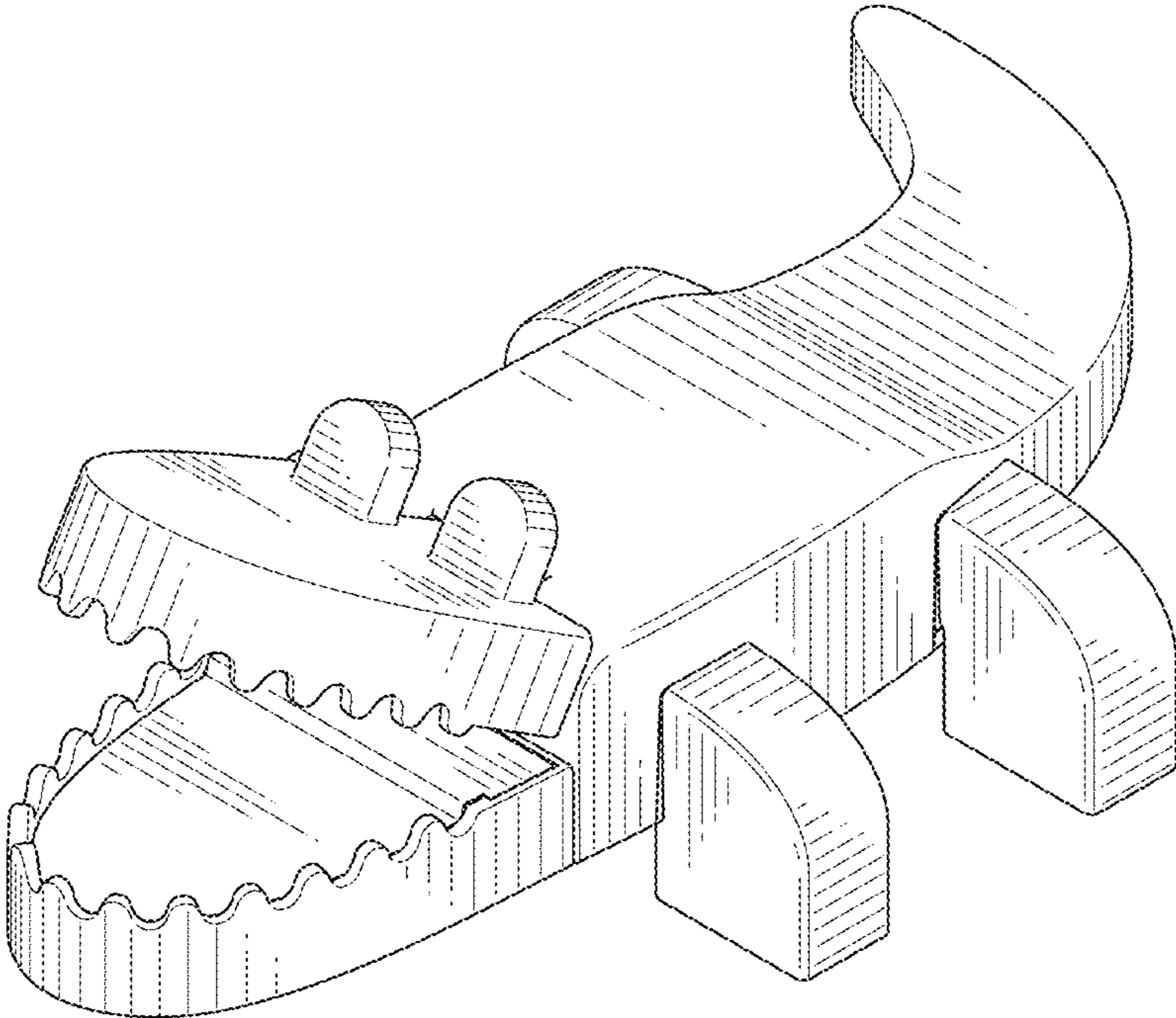


FIG. 7



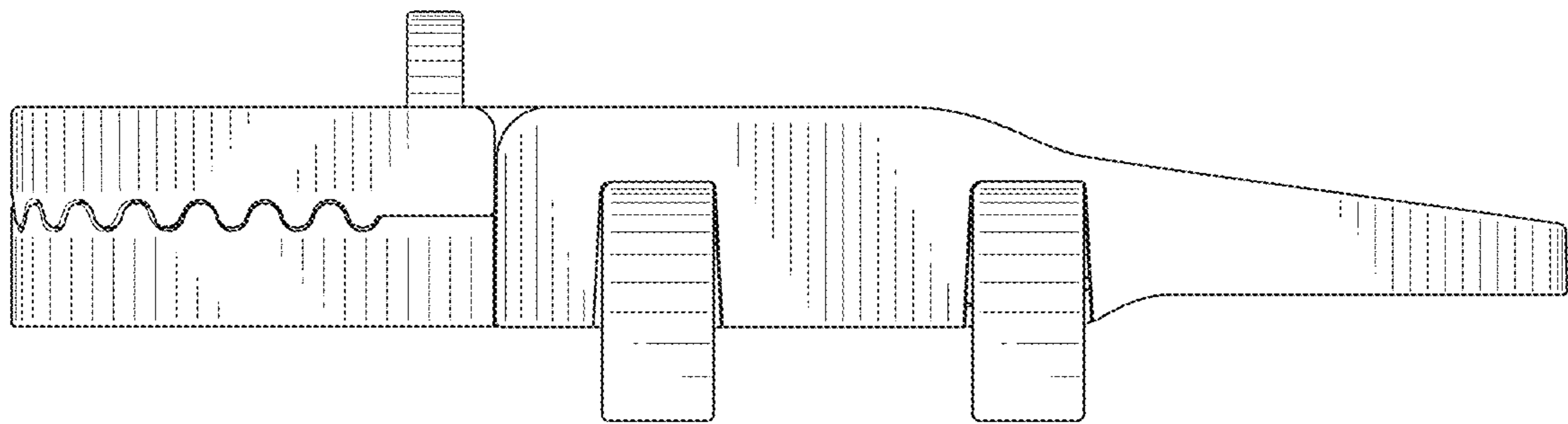


FIG. 8

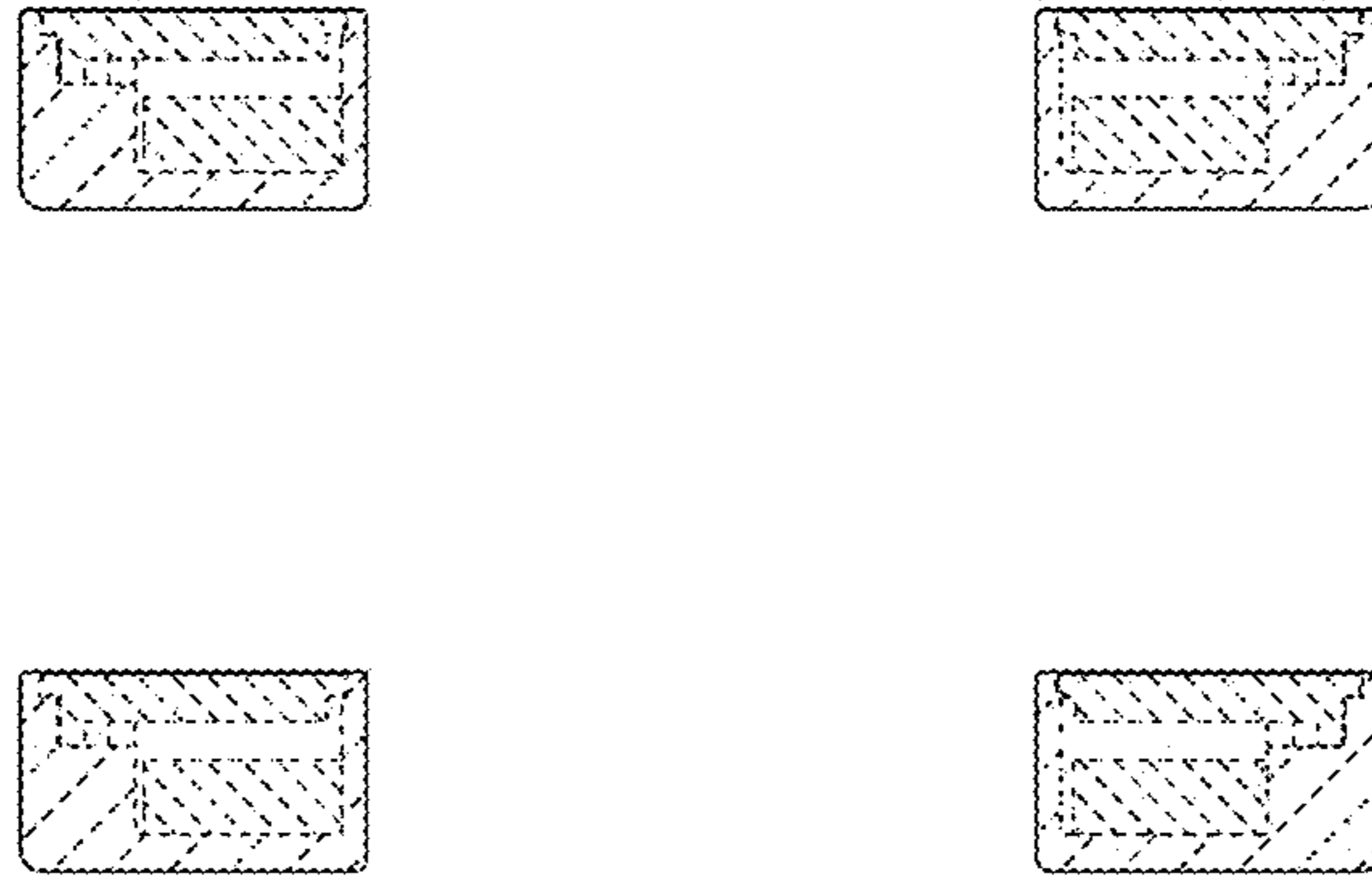


FIG. 9

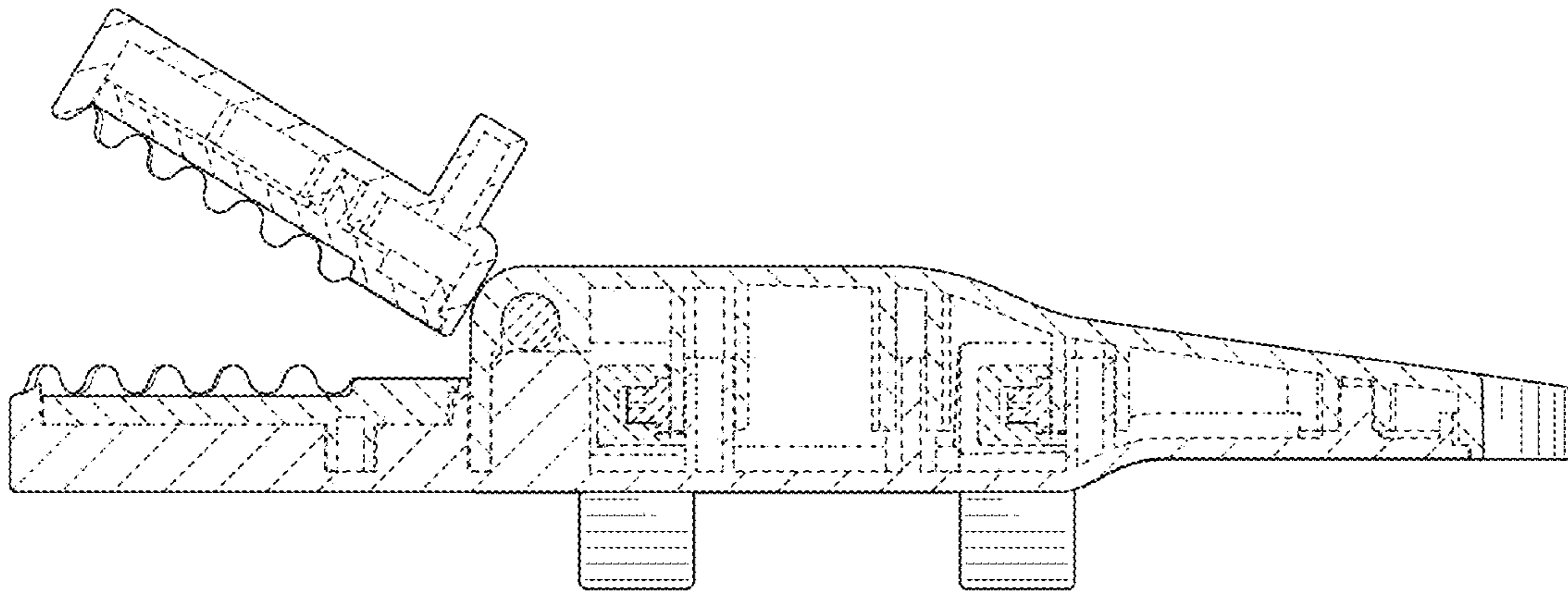


FIG. 10