



US00D949246S

(12) **United States Design Patent**
DeBerti et al.

(10) **Patent No.:** **US D949,246 S**

(45) **Date of Patent:** **** Apr. 19, 2022**

(54) **YO-YO**

(71) Applicants: **Doug DeBerti**, Arroyo Grande, CA (US); **Brad DeBerti**, Arroyo Grande, CA (US)

(72) Inventors: **Doug DeBerti**, Arroyo Grande, CA (US); **Brad DeBerti**, Arroyo Grande, CA (US)

(**) Term: **15 Years**

(21) Appl. No.: **29/734,125**

(22) Filed: **May 8, 2020**

(51) **LOC (13) Cl.** **21-01**

(52) **U.S. Cl.**
USPC **D21/464**

(58) **Field of Classification Search**
USPC D21/455, 458, 45, 464, 461, 462, 463;
D8/300, 303, 310, 312; D23/336, 370,
D23/375, 382, 411

(Continued)

(56) **References Cited**

U.S. PATENT DOCUMENTS

2,517,849 A * 8/1950 De Vincent A63H 1/30
446/22
3,883,985 A * 5/1975 Dawson, Jr. A63H 1/30
446/255

(Continued)

FOREIGN PATENT DOCUMENTS

KR 300436709.0000 * 1/2007

OTHER PUBLICATIONS

Billet Yo-Yo's, available on Facebook, date posted Dec. 14, 2020, [site visited Oct. 20, 2021], available URL: <https://www.facebook.com/braddeberti/videos/billet-yo-yos/417065279639895/> (Year: 2020).*
Huge YoYo, available on YouTube, posted Apr. 7, 2021, [site visited Oct. 20, 2021], available URL: https://www.youtube.com/watch?v=qLmuXbBYpq0&list=RDCMU CRGPepgjGXHb_j1V0J81Rcg&start_radio=1&t=464s (Year: 2021).*

(Continued)

Primary Examiner — Sheryl Lane

Assistant Examiner — Emily Anna Saunders

(74) *Attorney, Agent, or Firm* — McKee, Voorhees & Sease, PLC

(57) **CLAIM**

The ornamental design for a yo-yo, as shown and described.

DESCRIPTION

FIG. 1 is a perspective view of the first embodiment of the yo-yo design.

FIG. 2 is the side elevation view of the first embodiment of the yo-yo design.

FIG. 3 is a front elevation view of the first embodiment of the yo-yo design, with the rear elevation view being the same as the front elevation view.

FIG. 4 is a top plan view of the yo-yo design, with the bottom plan view being the same as a top plan view.

FIG. 5 is a perspective view of the second embodiment of the yo-yo design.

FIG. 6 is the side elevation view of the second embodiment of the yo-yo design.

FIG. 7 is a front elevation view of the second embodiment of the yo-yo design.

FIG. 8 is a rear elevation view of the second embodiment of the yo-yo design.

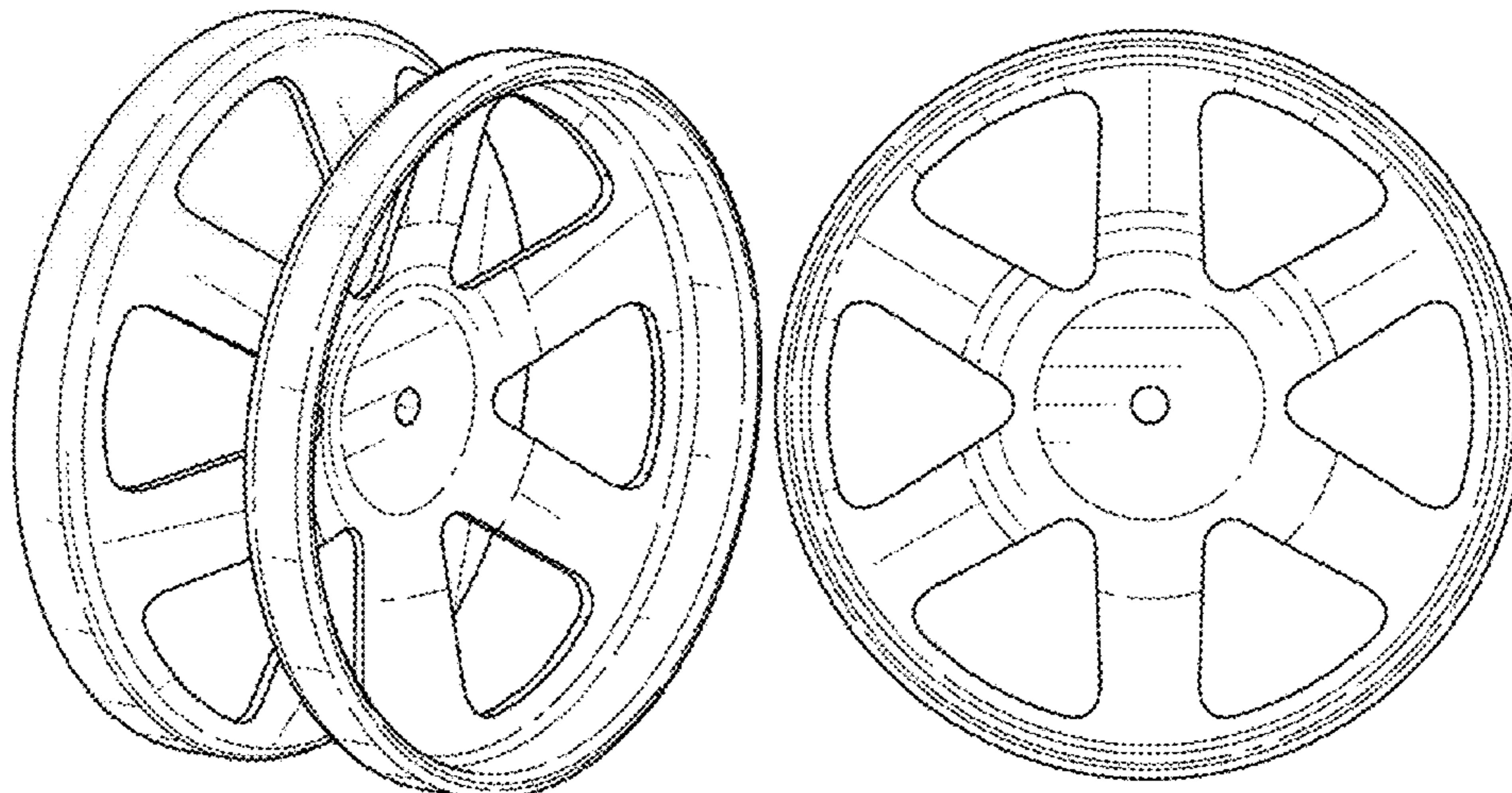
FIG. 9 is a top plan view of the second embodiment of the yo-yo design.

FIG. 10 is a perspective view of the third embodiment of the yo-yo design.

FIG. 11 is the side elevation view of the third embodiment of the yo-yo design; and,

FIG. 12 is a front elevation view of the third embodiment of the yo-yo design, with the rear elevation view and the top and bottom plan views being the same as the front elevation view.

1 Claim, 6 Drawing Sheets



(58) **Field of Classification Search**

CPC A63H 1/00-32; A63F 9/16
See application file for complete search history.

(56) **References Cited**

U.S. PATENT DOCUMENTS

D412,188 S * 7/1999 Hadzicki D21/464
7,125,310 B1 * 10/2006 Van Dan Elzen A63H 1/30
446/250
D536,948 S * 2/2007 Fields D8/310
D648,810 S * 11/2011 Bell D21/464
D694,343 S * 11/2013 Bell D21/464
D791,882 S * 7/2017 Cole D21/464
2017/0239582 A1 * 8/2017 Cai A63H 1/30
2020/0269148 A1 * 8/2020 Zavracky A63H 1/30

OTHER PUBLICATIONS

Throwing Star 4" Yo Yo, available on DeBerti.com, [site visited; Oct. 20, 2021] Available URL: <https://deberti.com/collections/frontpage/products/the-big-daddy-throwing-star-4-yoyo> (Year: 2021).*

Throwing Star Billet Yo Yo, available on DeBerti.com, [site visited; Oct. 20, 2021] Available URL: <https://deberti.com/collections/frontpage/products/deberti-throwingstar-billet-yoyo> (Year: 2021).*

Yo Yo Ghost Bi Metal, available on Amazon.com, customer review oldest date May 23, 2019, [site visited Oct. 20, 2021], available URL: <https://www.amazon.com/dp/B073SCRJ8N/> (Year: 2019).*

Duncan Toys Metal Racer Yo-Yo, available on Amazon, release date Oct. 12, 2020, [site visited Oct. 20, 2021], available URL: <https://www.amazon.com/Duncan-3603XP-Metal-Racer-Intermediates/dp/B084ZSRL9Q/> (Year: 2020).*

* cited by examiner

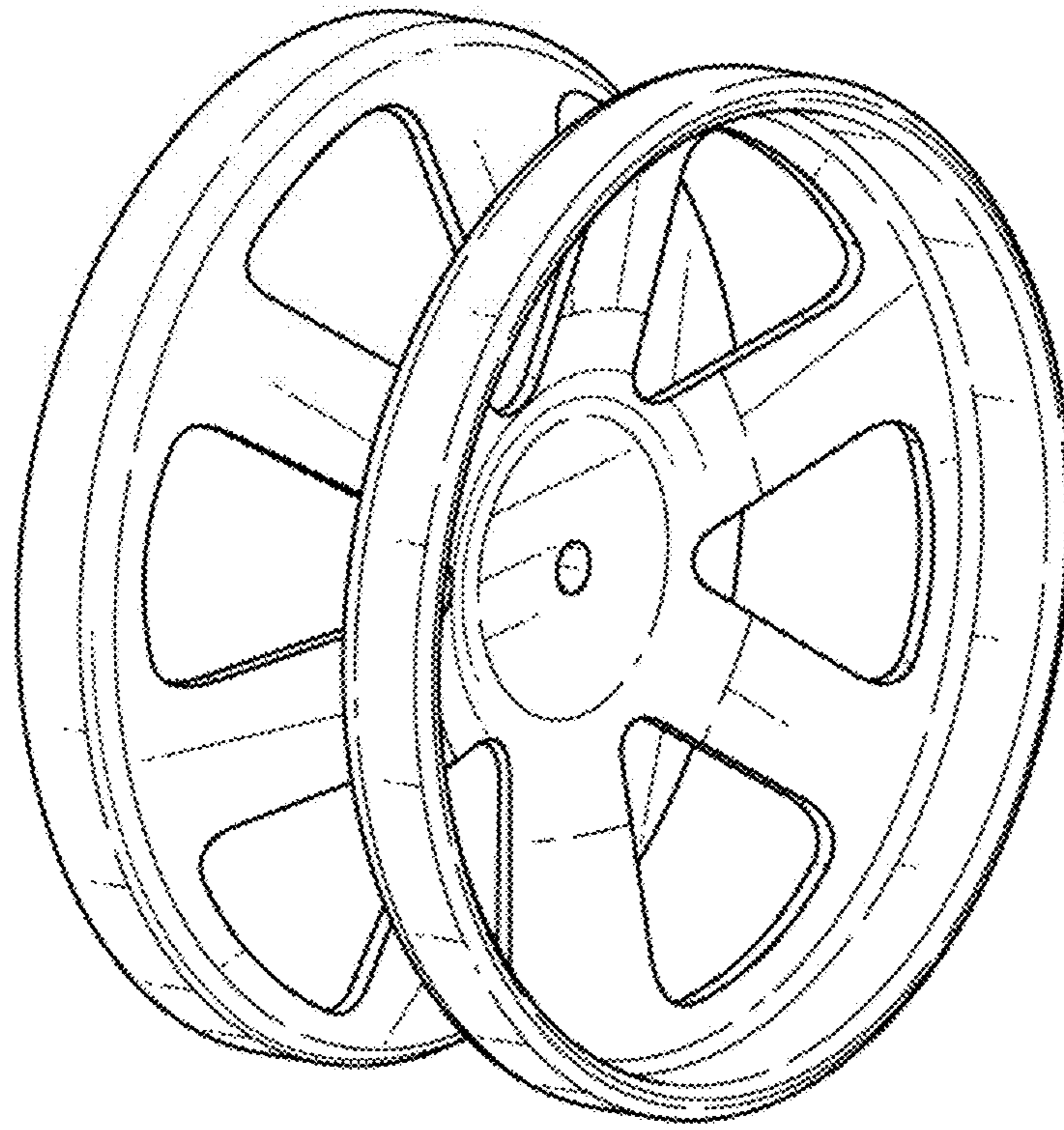


FIG. 1

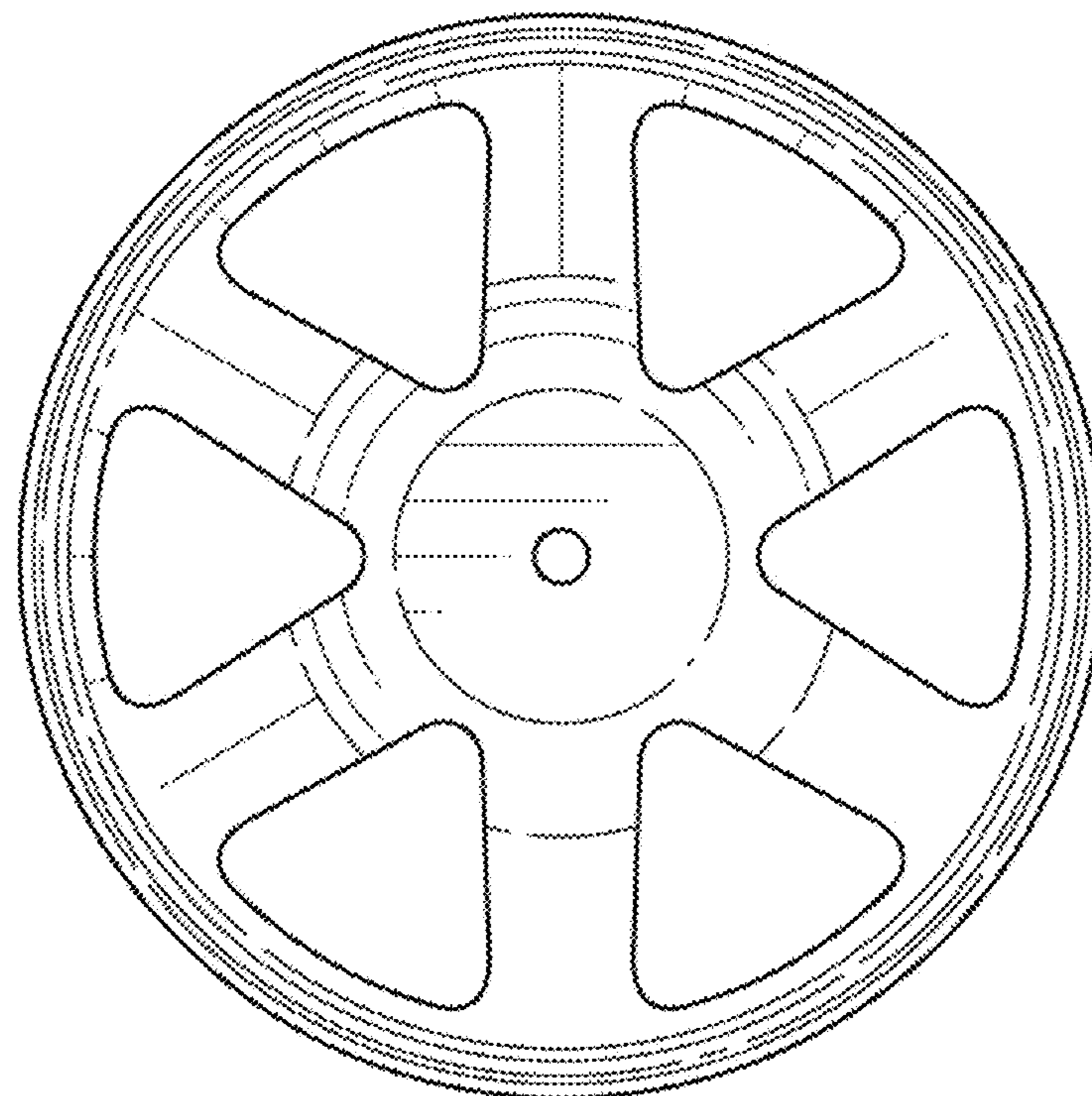


FIG. 2

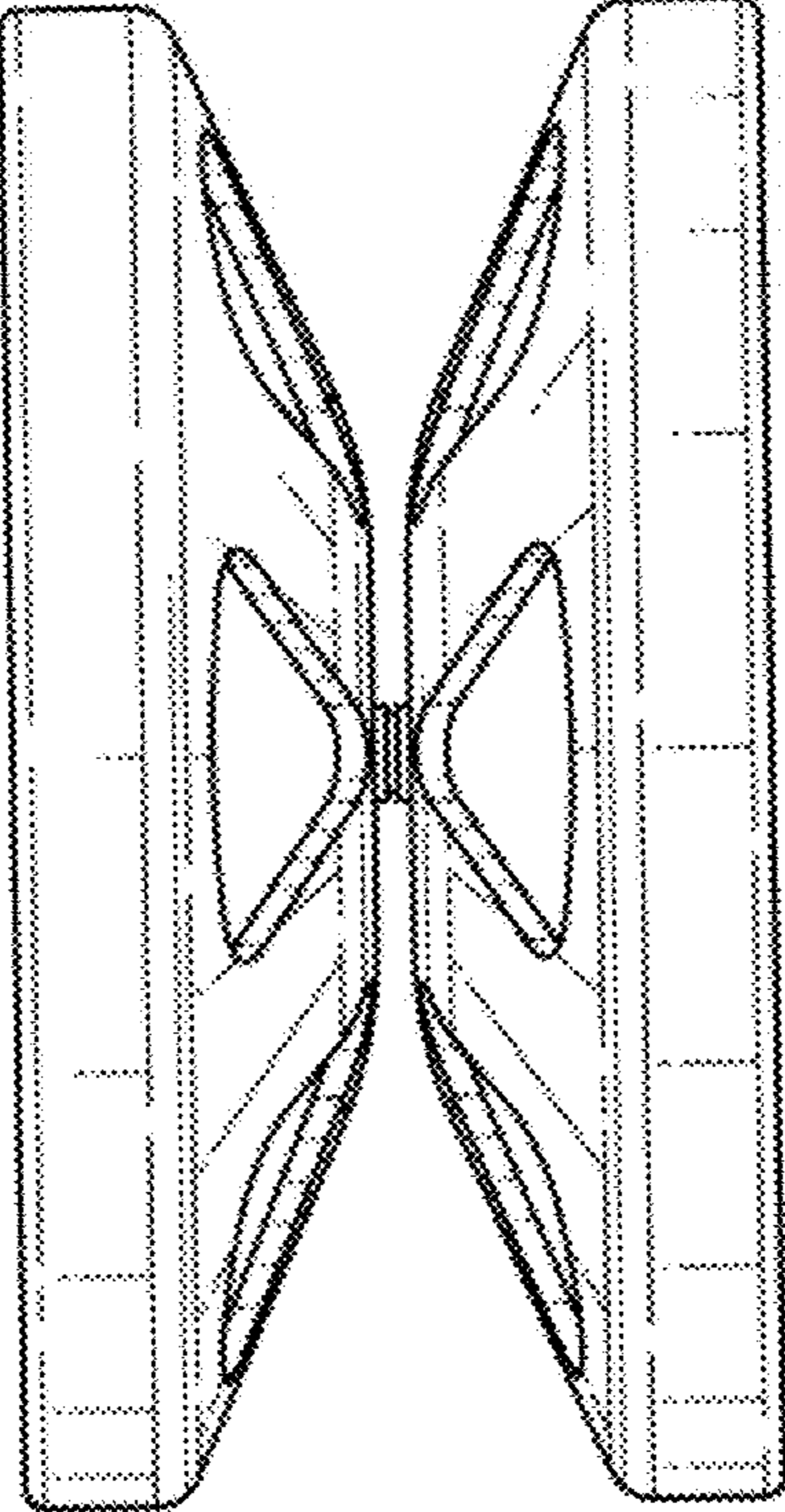


FIG. 3

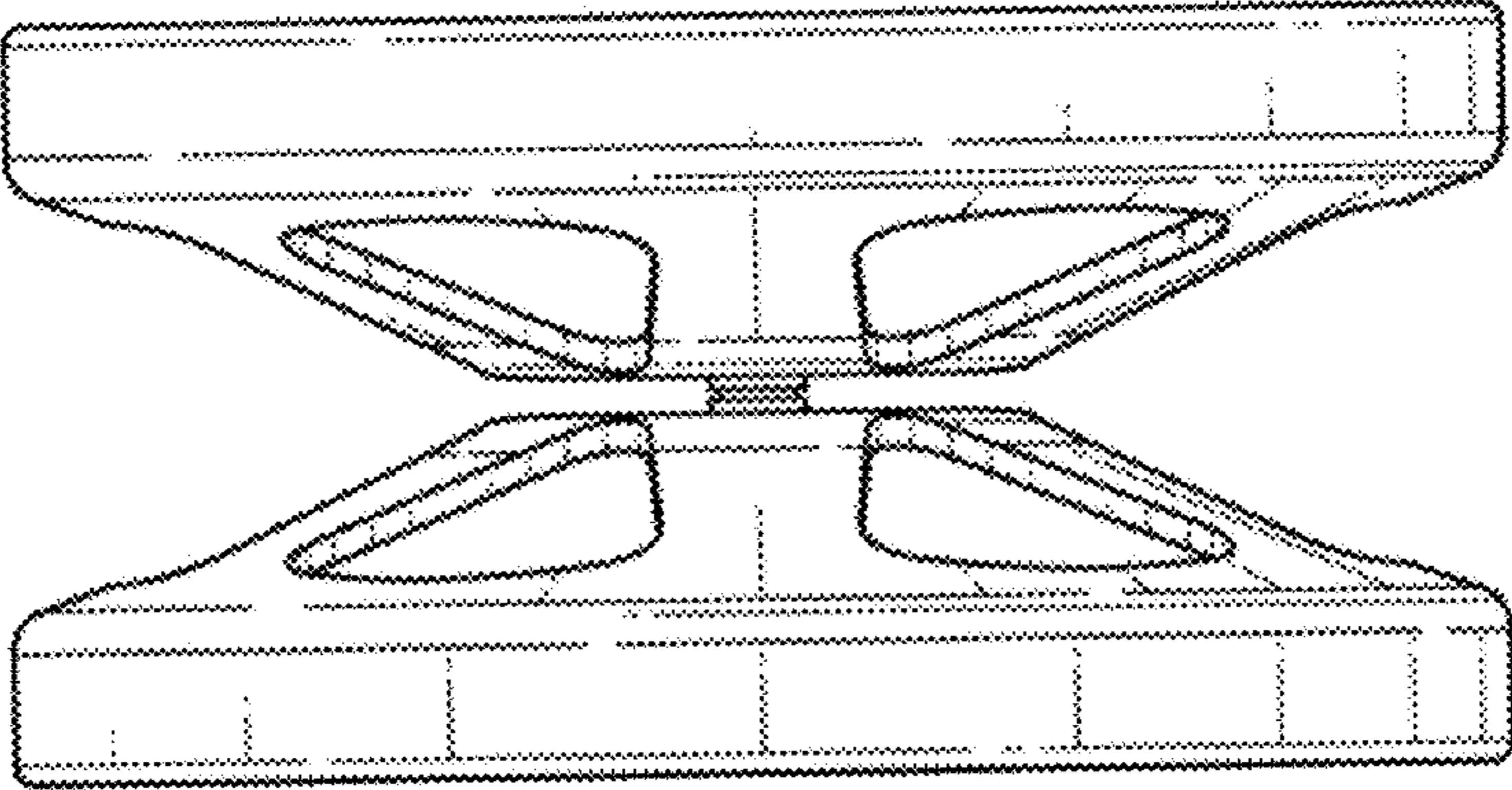


FIG. 4

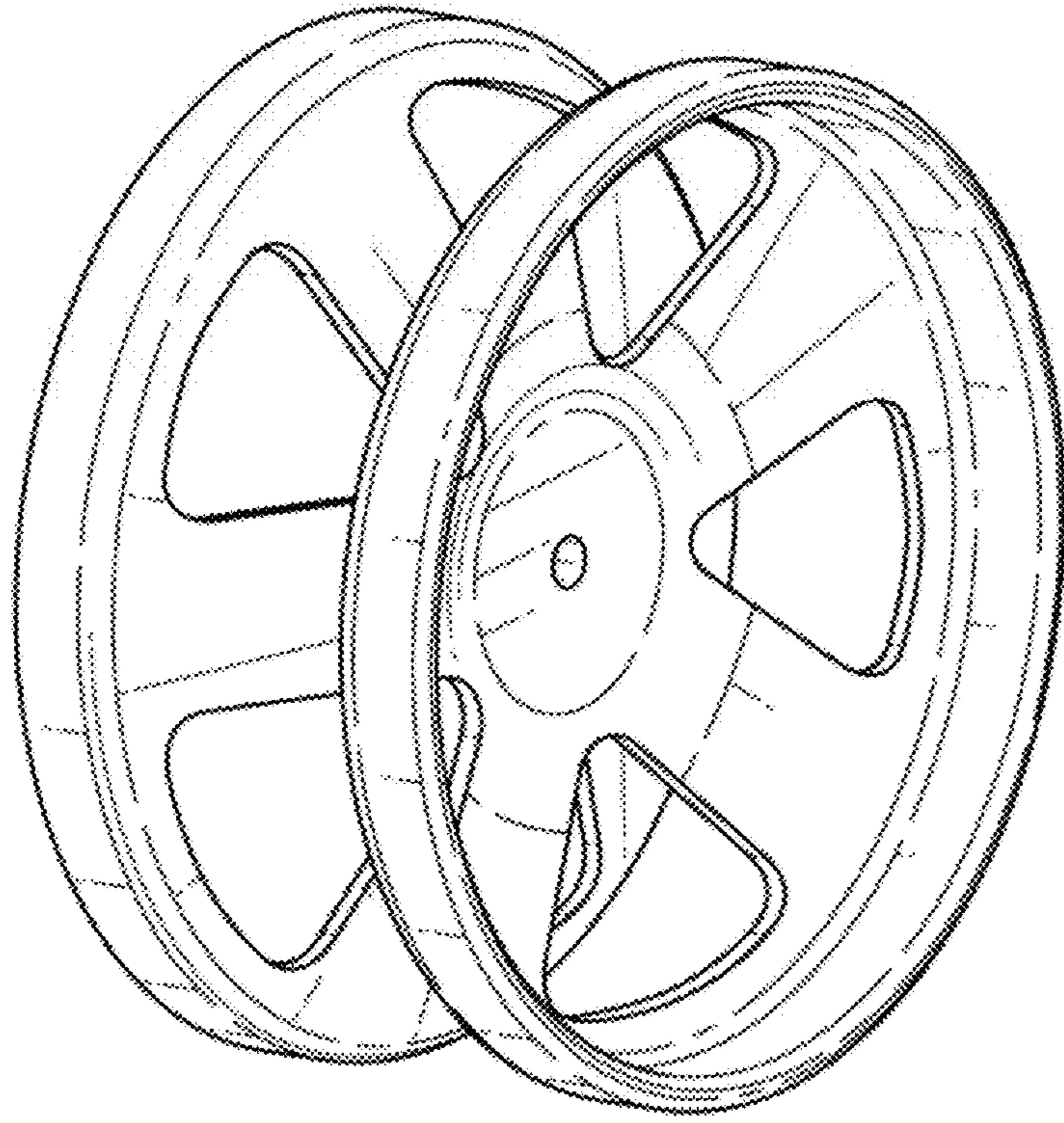


FIG. 5

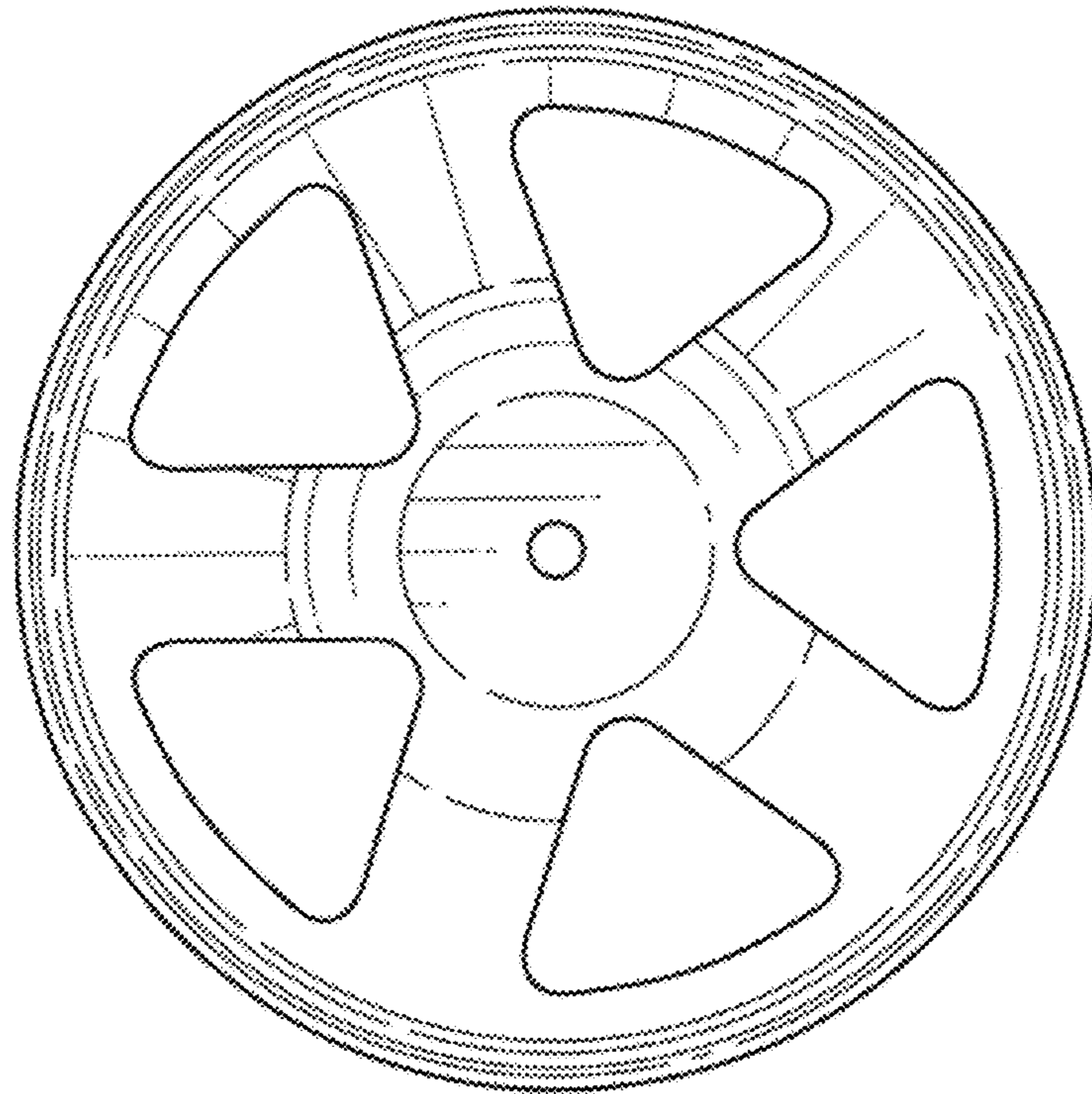


FIG. 6

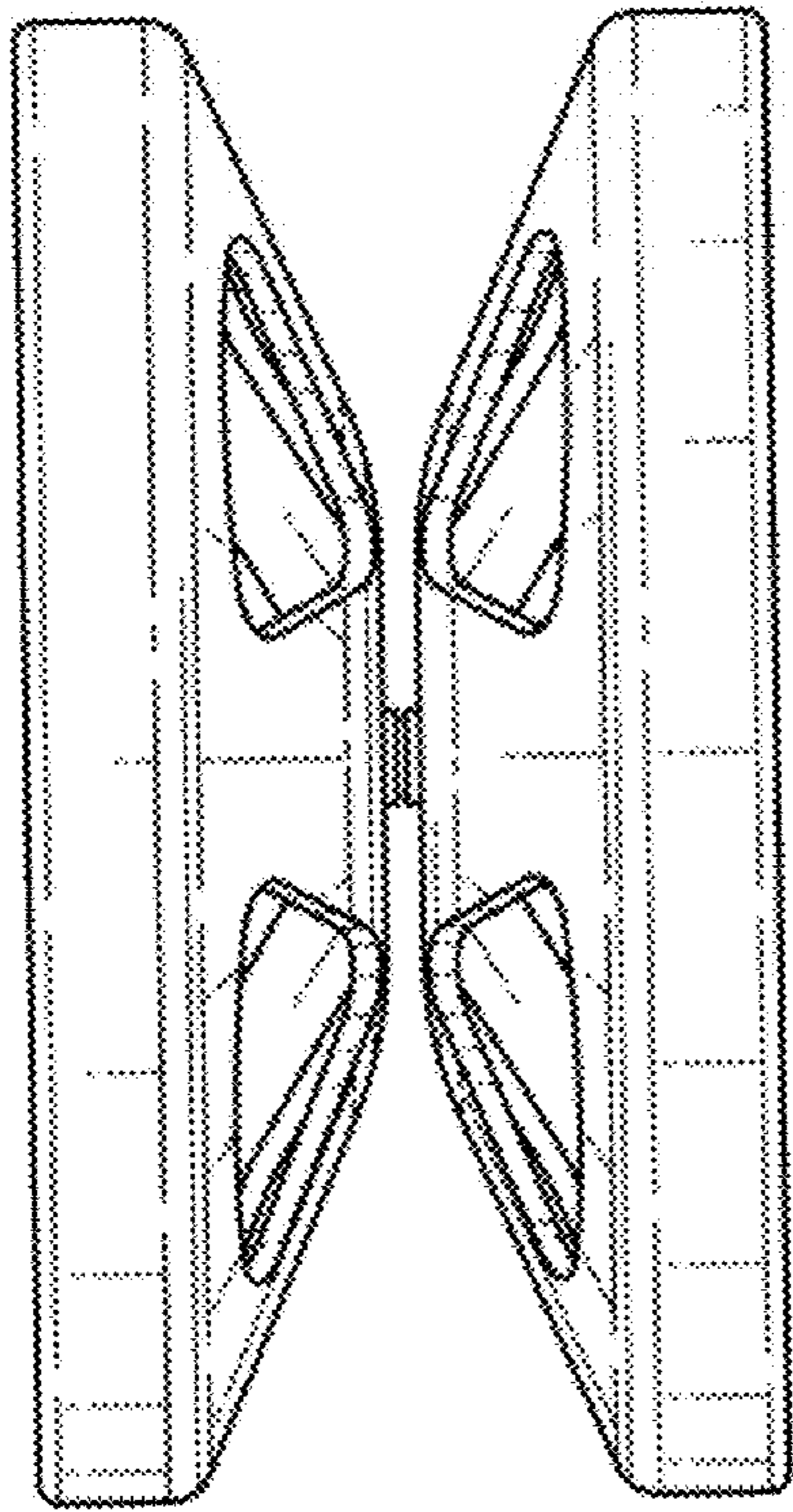


FIG. 7

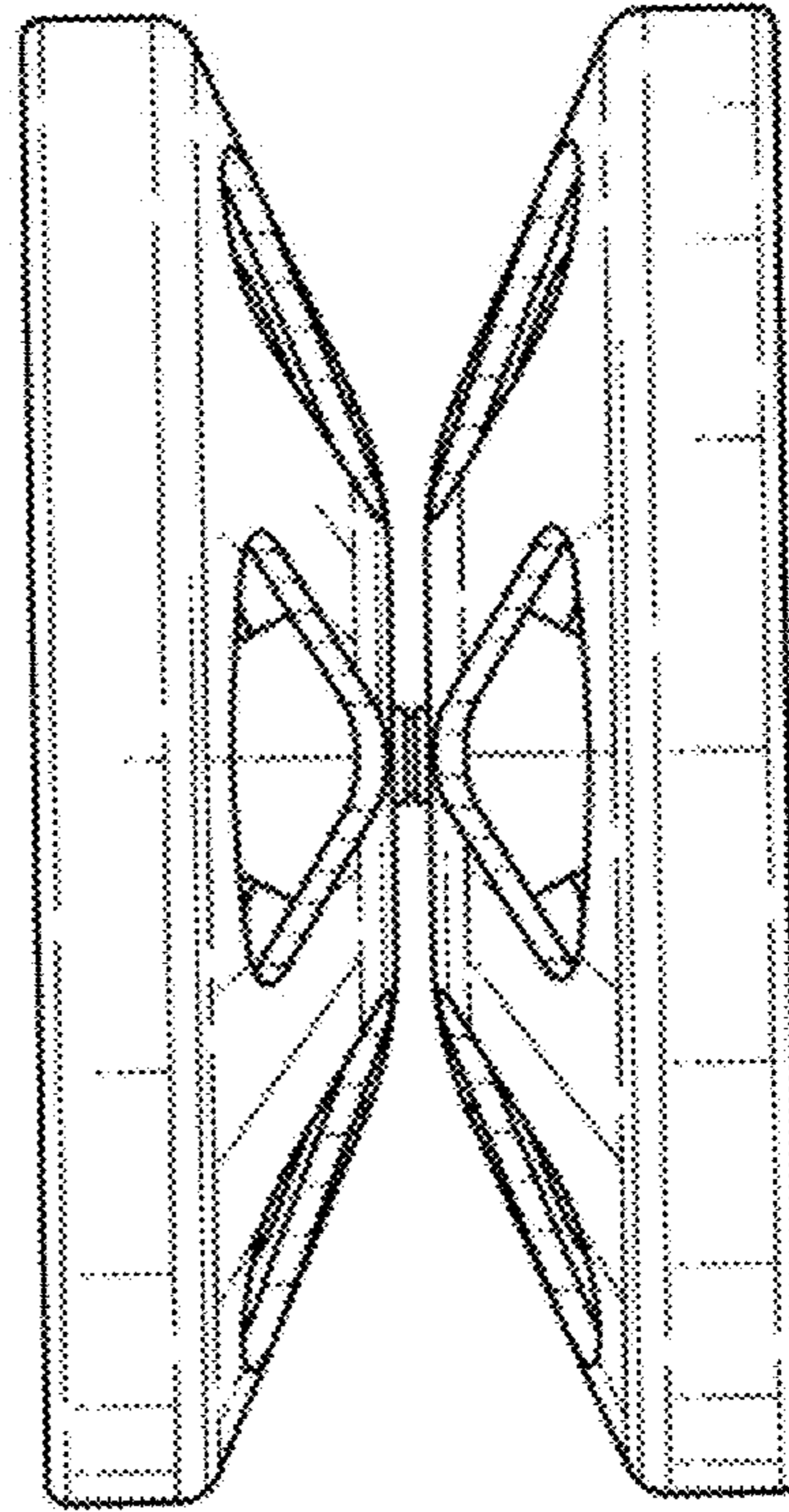


FIG. 8

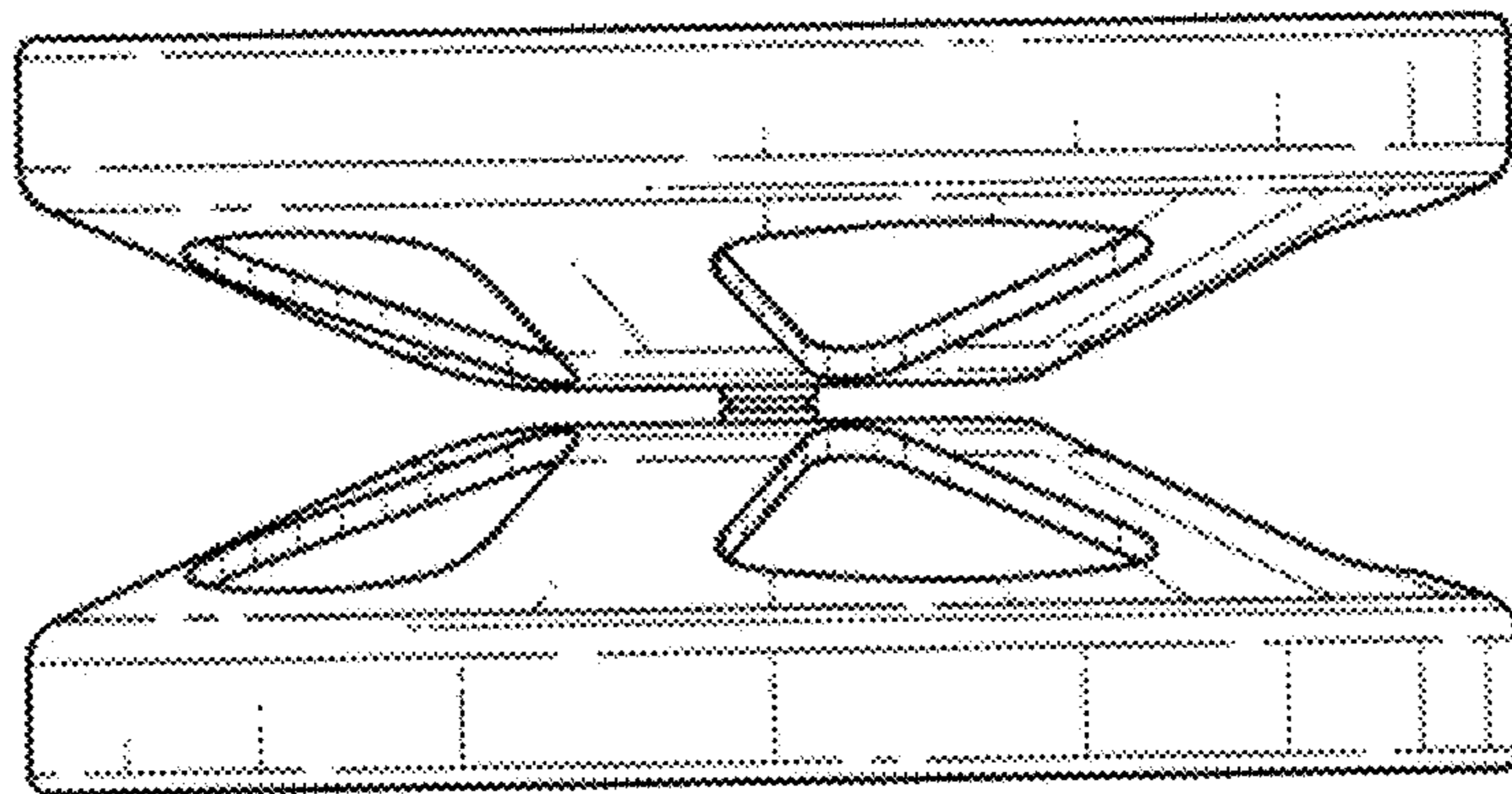


FIG. 9

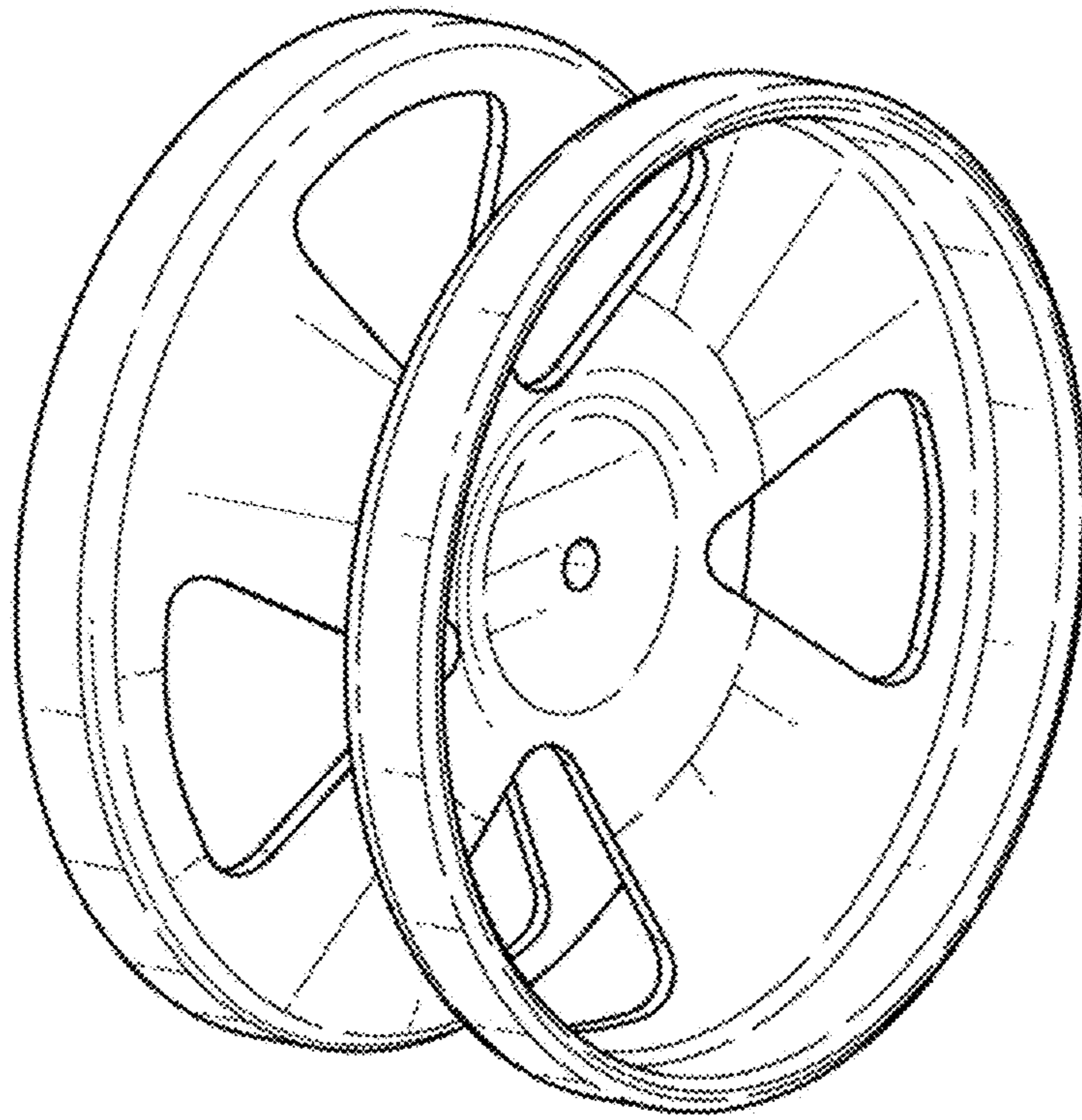


FIG. 10

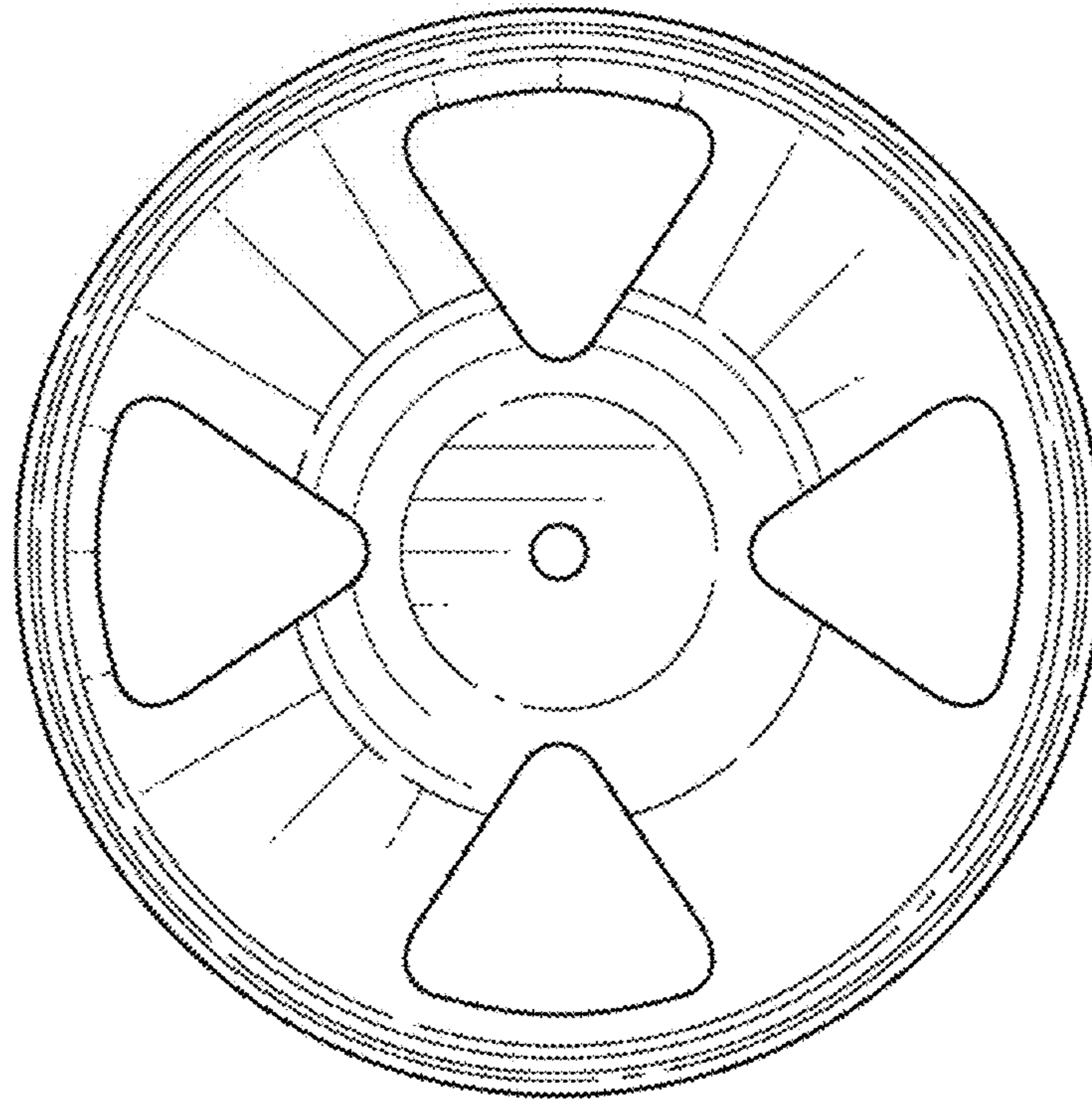


FIG. 11

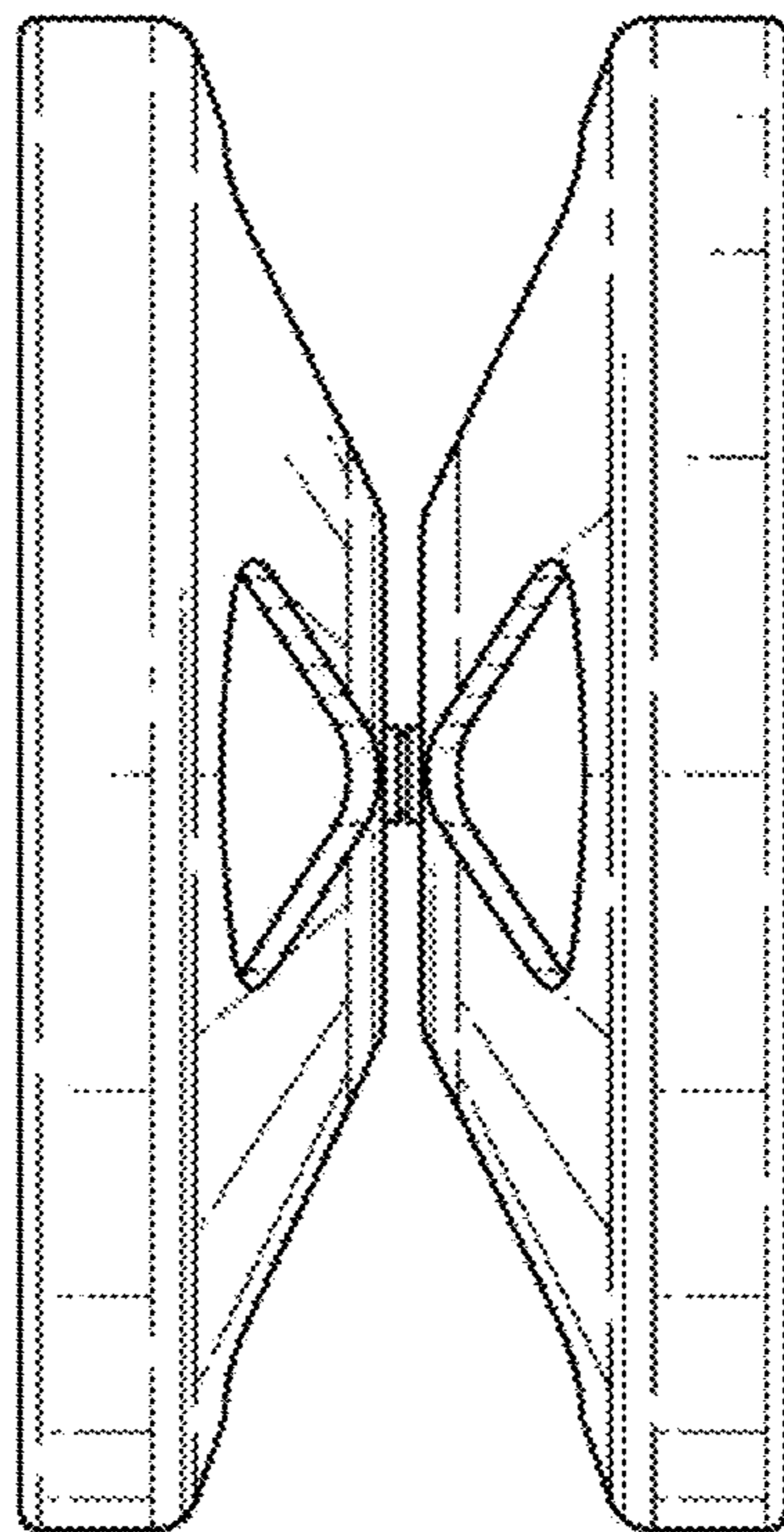


FIG. 12