



US00D949245S

(12) **United States Design Patent**  
**Muraki**

(10) **Patent No.:** **US D949,245 S**  
(45) **Date of Patent:** **\*\* Apr. 19, 2022**

(54) **LAUNCHING APPARATUS FOR SPINNING TOP TOY**

FOREIGN PATENT DOCUMENTS

EM 002765750-0004 \* 12/2015  
GB 8206423000-5000 \* 1/2020

(Continued)

(71) Applicant: **TOMY COMPANY, LTD.**, Tokyo (JP)

(72) Inventor: **Makoto Muraki**, Tokyo (JP)

(73) Assignee: **TOMY COMPANY, LTD.**, Tokyo (JP)

(\*\*) Term: **15 Years**

(21) Appl. No.: **29/726,439**

(22) Filed: **Mar. 3, 2020**

(30) **Foreign Application Priority Data**

Oct. 15, 2019 (JP) ..... 2019-023012

(51) **LOC (13) Cl.** ..... **21-01**

(52) **U.S. Cl.**  
USPC ..... **D21/461**

(58) **Field of Classification Search**  
USPC ..... D21/454, 459, 455, 460-464, 561, 566,  
D21/570  
CPC .. A63H 1/00-10; A63H 1/12; A63H 1/22-26;  
A63H 17/008; A63H 27/14; A63H 29/24;  
A63F 9/16

See application file for complete search history.

(56) **References Cited**

U.S. PATENT DOCUMENTS

3,224,142 A \* 12/1965 Pawelka ..... A63H 1/02  
446/138  
3,473,256 A \* 10/1969 Tyler ..... A63H 27/14  
446/38  
D610,210 S \* 2/2010 Nishimoto ..... D21/461

(Continued)

OTHER PUBLICATIONS

New Sparking Launcher, available on YouTube.com, date posted Apr. 1, 2020, [site visited Nov. 9, 2020], available URL: <https://www.youtube.com/watch?v=OpyCw92rUCo> (Year: 2020).\*

(Continued)

*Primary Examiner* — Amy C Wierenga  
*Assistant Examiner* — Emily Anna Saunders  
(74) *Attorney, Agent, or Firm* — Oliff PLC

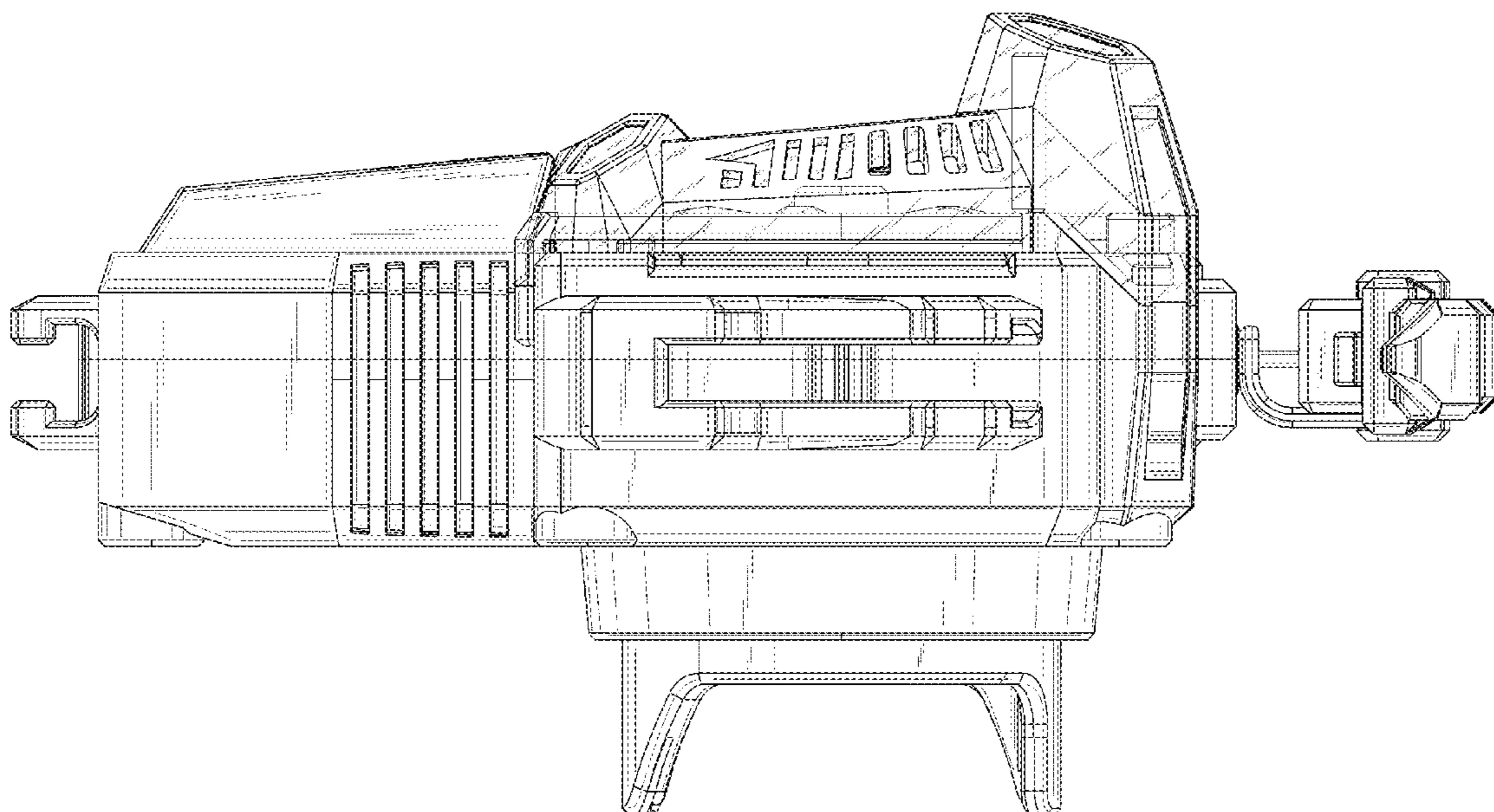
(57) **CLAIM**

The ornamental design for a launching apparatus for spinning top toy, as shown and described.

**DESCRIPTION**

FIG. 1 is a front elevational view of the launching apparatus for spinning top toy;  
FIG. 2 is a rear elevational view thereof;  
FIG. 3 is a left-side elevational view thereof;  
FIG. 4 is a right-side elevational view thereof;  
FIG. 5 is a top plan view thereof;  
FIG. 6 is a bottom plan view thereof;  
FIG. 7 is a front, right-side, top perspective view thereof;  
FIG. 8 is a rear, left-side, bottom perspective view thereof;  
FIG. 9 is a front, right-side, top disassembled perspective view thereof;  
FIG. 10 is a rear, left-side, top disassembled perspective view thereof; and,  
FIG. 11 is a rear, left-side, bottom disassembled perspective view thereof.  
The broken lines depict parts of the launching apparatus for spinning top toy that form no part of the claimed design.

**1 Claim, 11 Drawing Sheets**



(56)

**References Cited**

U.S. PATENT DOCUMENTS

D610,211 S	*	2/2010	Nishimoto .....	D21/461
D639,349 S	*	6/2011	Horikoshi .....	D21/461
D675,263 S	*	1/2013	Gonzalez .....	D21/461
D790,635 S	*	6/2017	Horikoshi .....	D21/461
D790,636 S	*	6/2017	Horikoshi .....	D21/461
D816,781 S	*	5/2018	Horikoshi .....	D21/461
D825,676 S	*	8/2018	Horikoshi .....	D21/461
D838,317 S	*	1/2019	Saito .....	D21/461
D838,784 S	*	1/2019	Saito .....	D21/461
D842,936 S	*	3/2019	Shindo .....	D21/461
D878,482 S	*	3/2020	Hama .....	D21/461
D908,176 S	*	1/2021	Schultheis .....	D21/461

FOREIGN PATENT DOCUMENTS

WO	WO-D206423-005	*	7/2020
WO	WO-D212164-003	*	7/2021

OTHER PUBLICATIONS

How to fix Sparking Launcher, available on YouTube.com, date posted Jul. 2, 2020, [site visited Nov. 9, 2021], available URL: <https://www.youtube.com/watch?v=nPa3ltmyuWA> (Year: 2020).\*

Best Beyblade Launcher 2021 Review, available on trimrylands.com, [site visited Nov. 9, 2021], available URL: <https://www.trimrylands.com/best-beyblade-launcher/> (Year: 2021).\*

FENGWOOD Battling Burst Launcher, available on Amazon.com, [site visited Nov. 10, 2021], available URL: <https://www.amazon.com/FENGWOOD-Battling-Burst-Custom-Launcher/dp/B0992DWVK8/> (Year: 2021).\*

Party Yeah Spinning Top Launchers, available at Walmart.com, customer review Jul. 16, 2021, [site visited Nov. 9, 2021], available URL: <https://www.walmart.com/ip/Party-Yeah-Spinning-Top-Launchers-Burst-Toys-Left-And-Right-Rotating-Sparks-Top-Arena/723292861> (Year: 2021).\*

Battling String Launcher Sparking, available on Amazon.com, oldest customer review Jul. 11, 2020, [site visited: Nov. 9, 2021], Available URL: <https://www.amazon.com/Battling-String-Launcher-Sparking-Bey/dp/B08B3V65Y7> (Year: 2020).\*

Battling String Launcher Sparking, available on Amazon.com, oldest customer review Sep. 28, 2020, [site visited Nov. 10, 2021], available URL: <https://www.amazon.com/Battling-String-Launcher-Sparking-Bey/dp/B08B34NMX8> (Year: 2020).\*

Bey Gyro Blades Burst Sparking Beyblades Launcher, available on Amazon.com, release date: Aug. 11, 2021, [site visited Nov. 10, 2021], Available URL: <https://www.amazon.com/Beyblades-Sparking-Launcher-Battling-String/dp/B08P5D6QC5> (Year: 2021).\*

\* cited by examiner

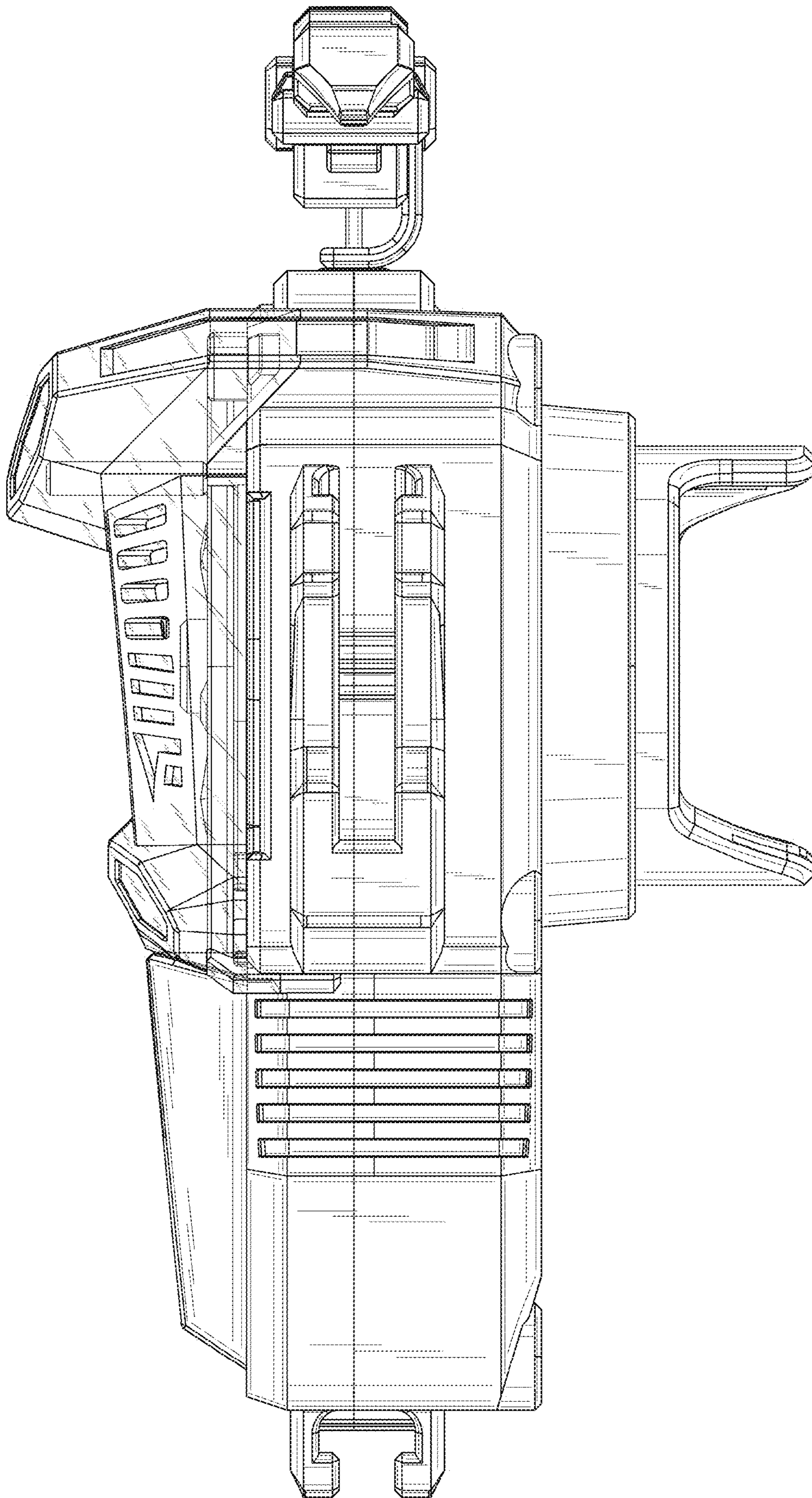


FIG. 1

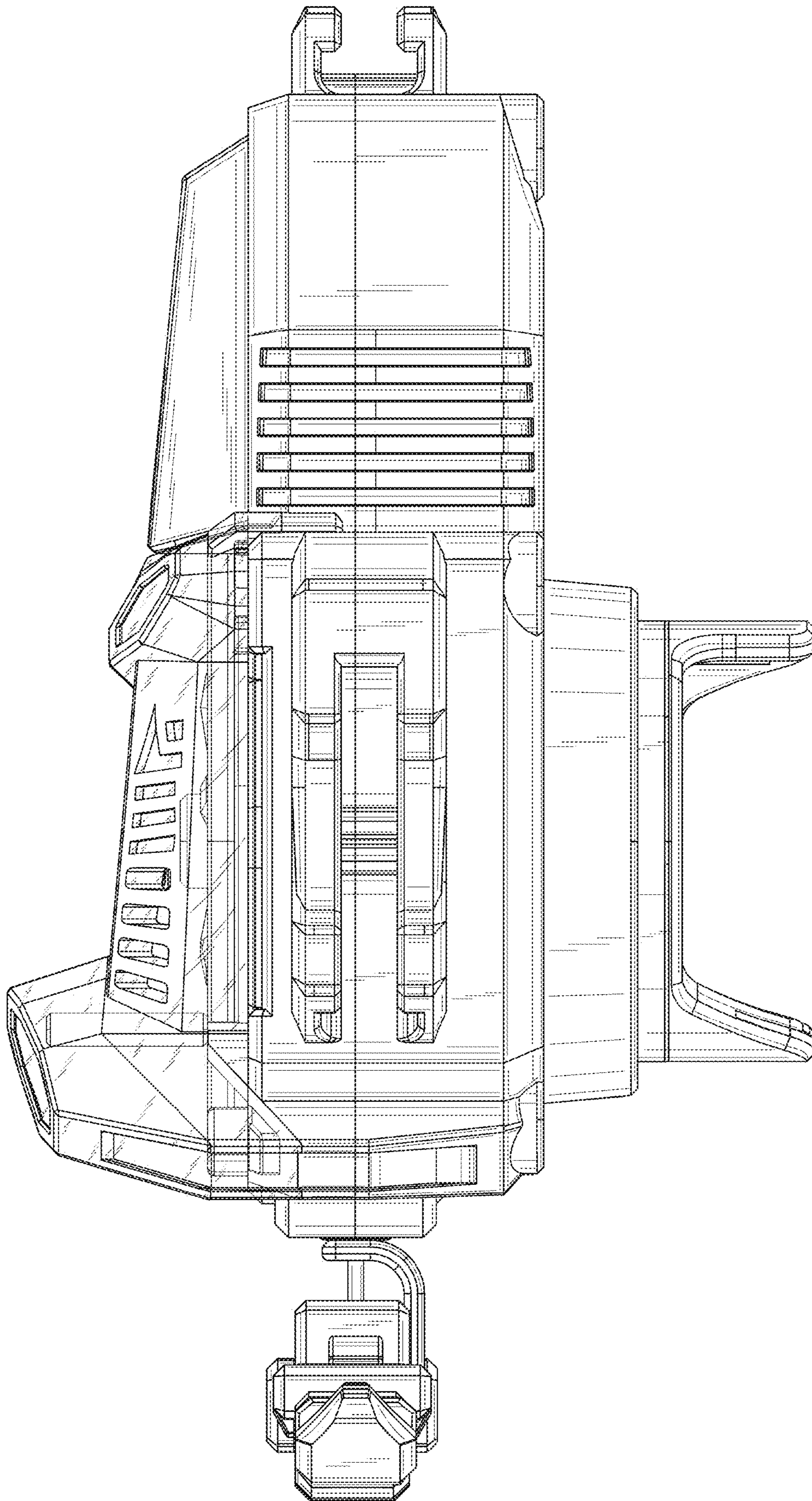


FIG. 2

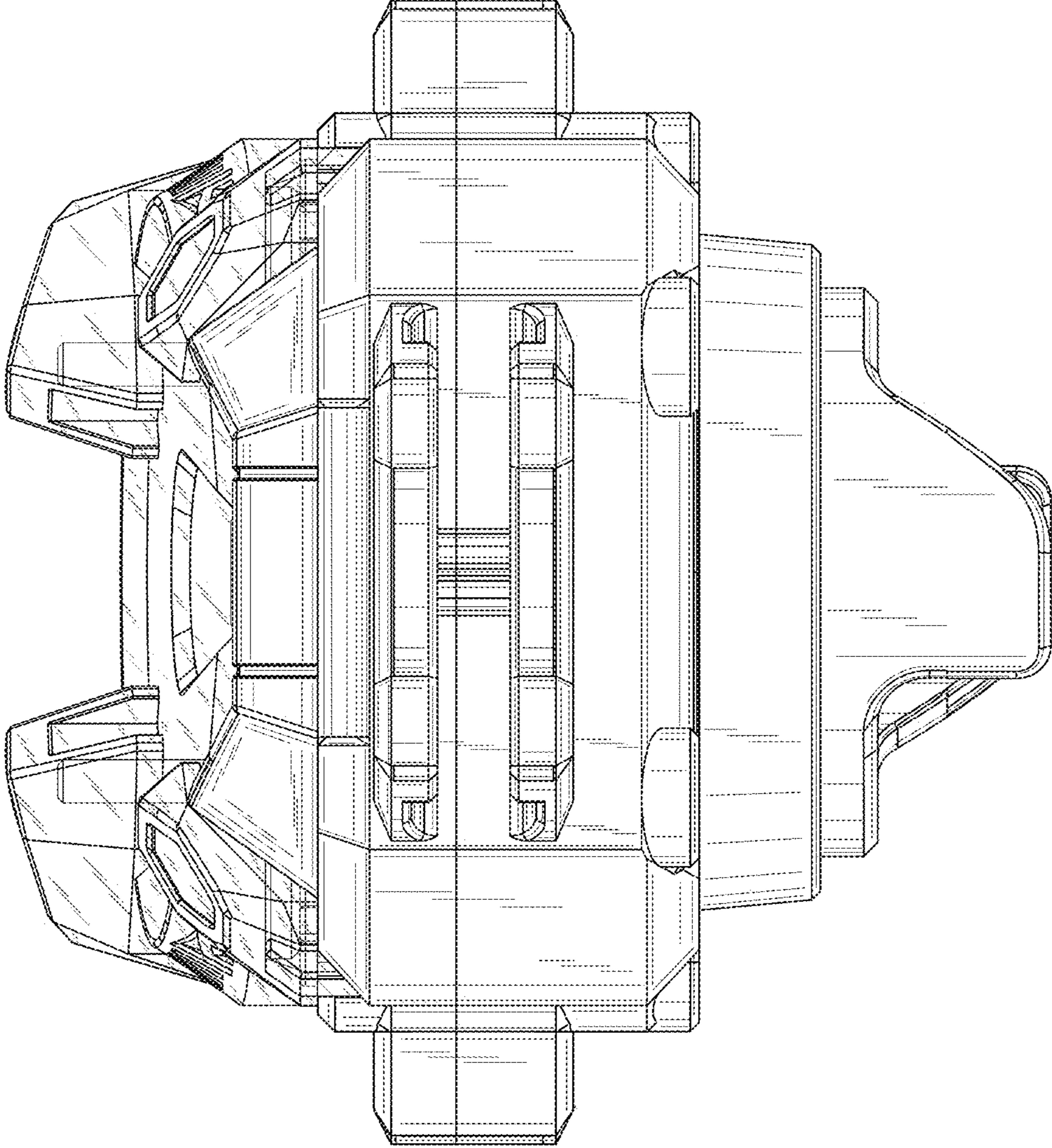


FIG. 3

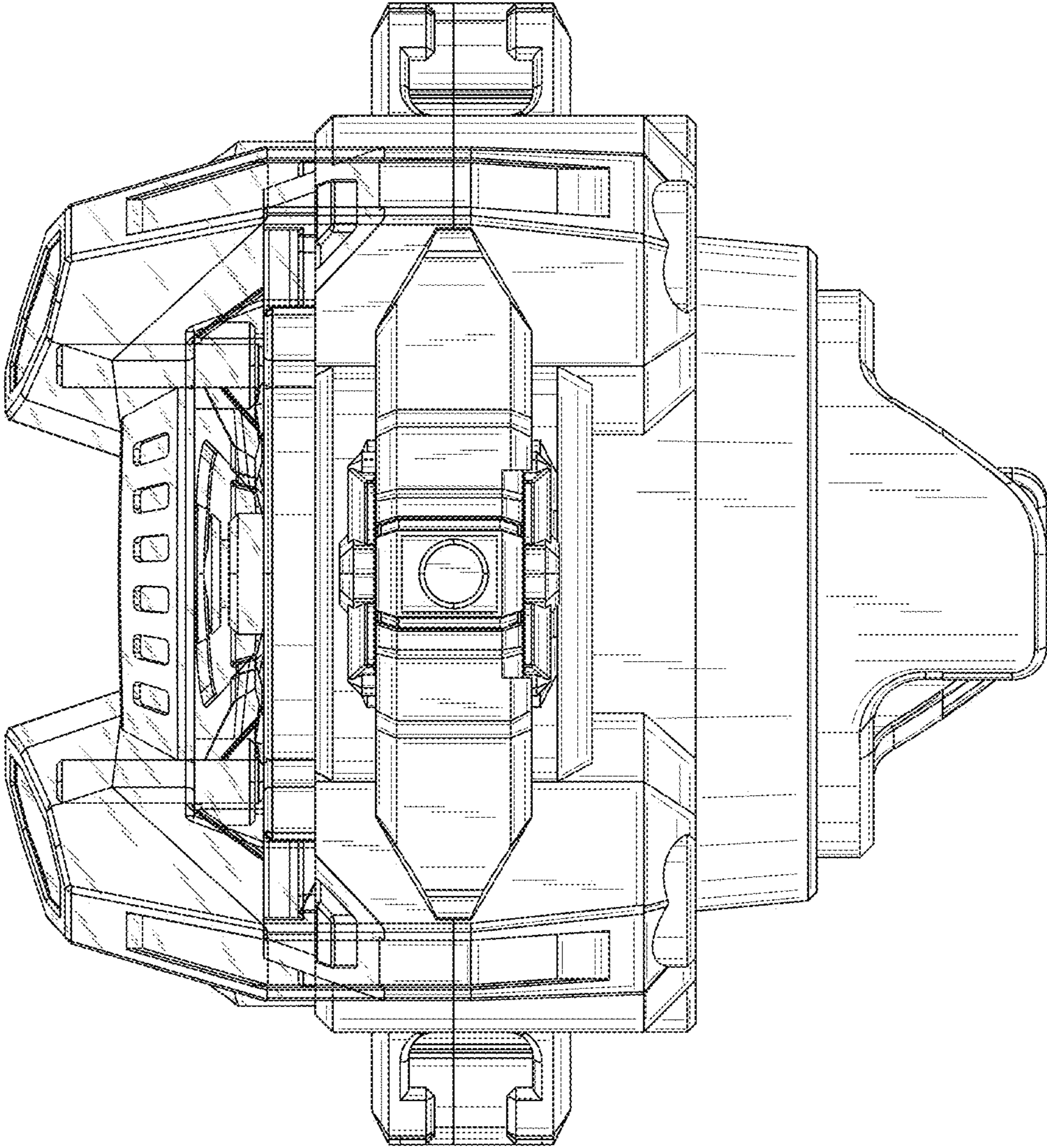


FIG. 4

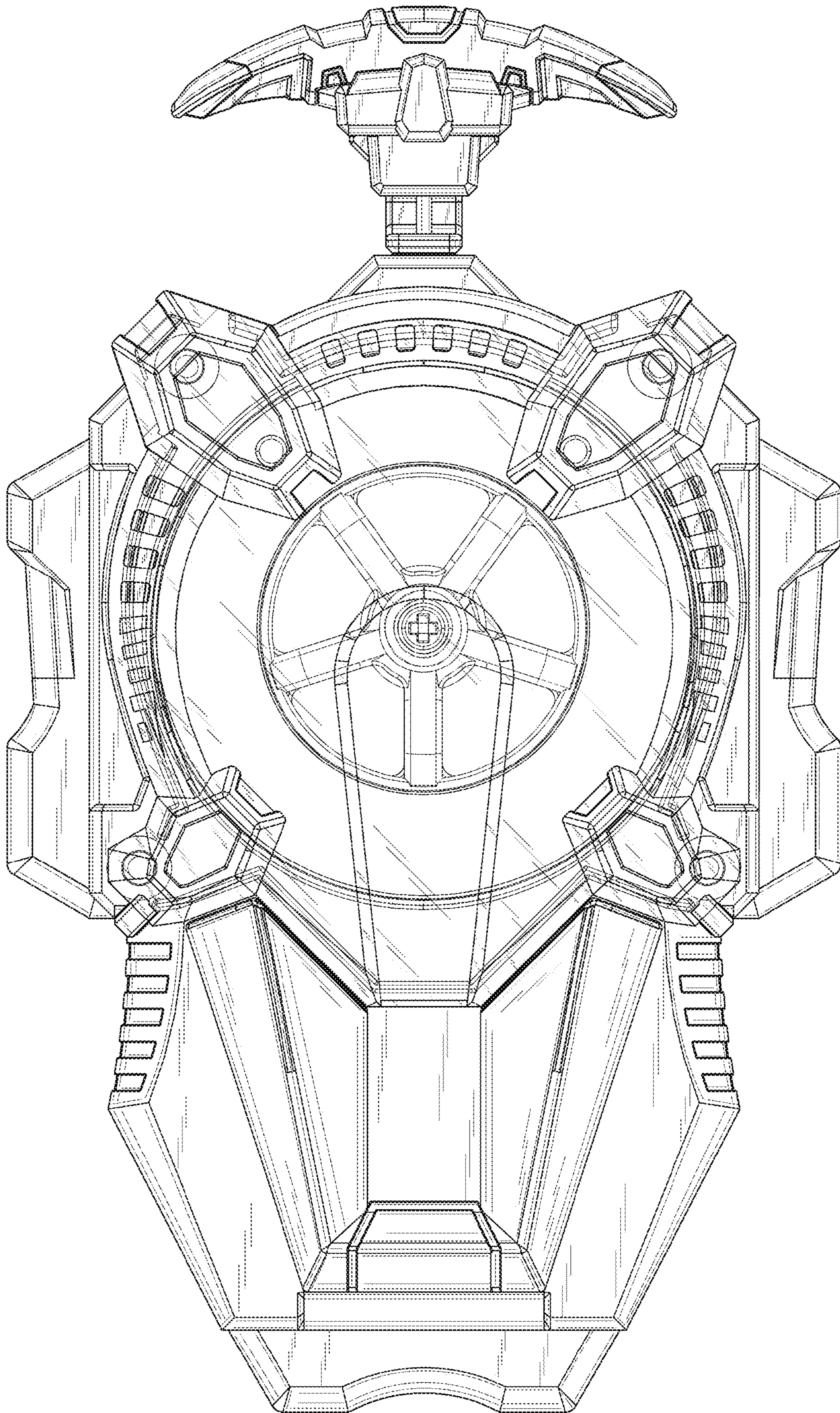


FIG. 5

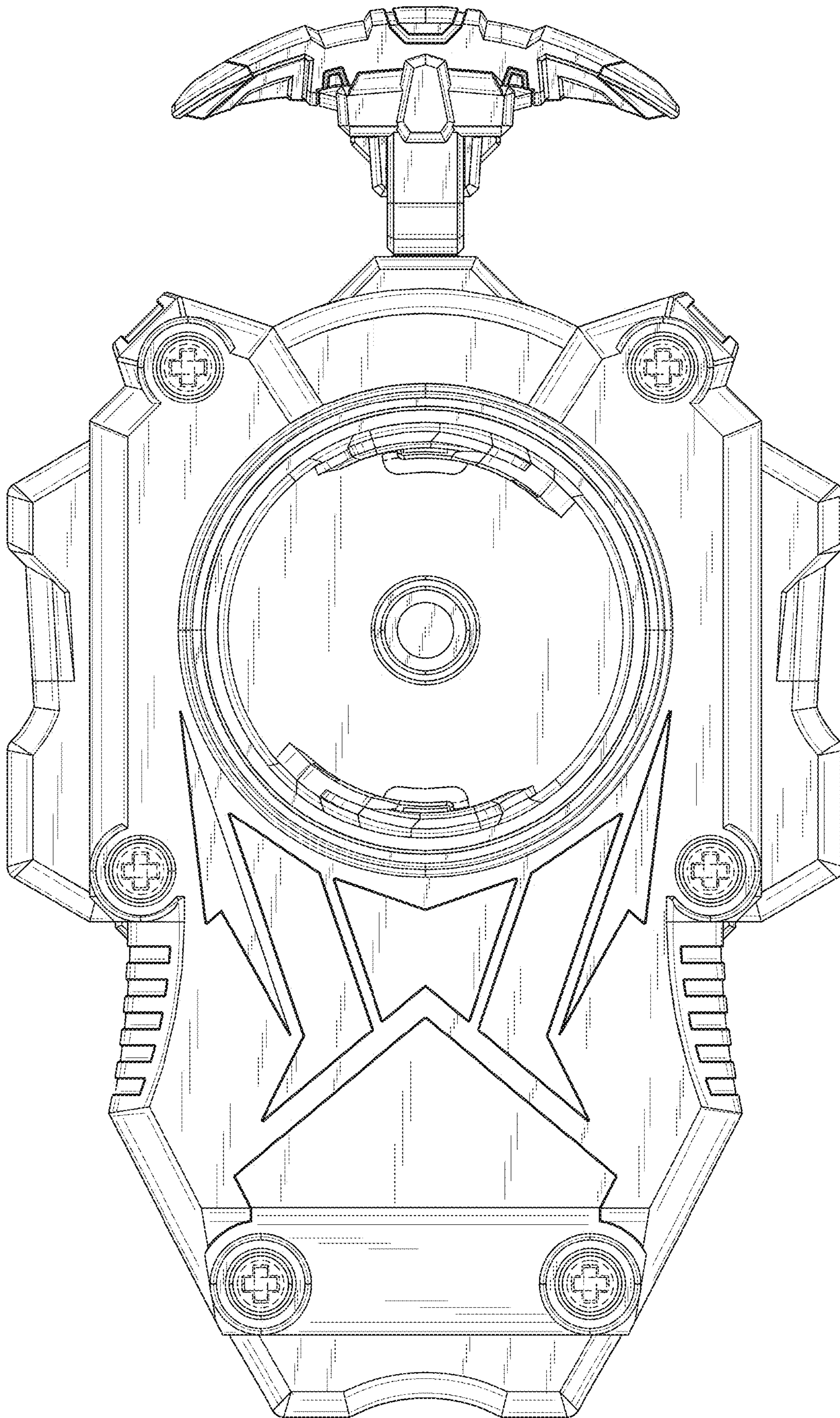


FIG. 6



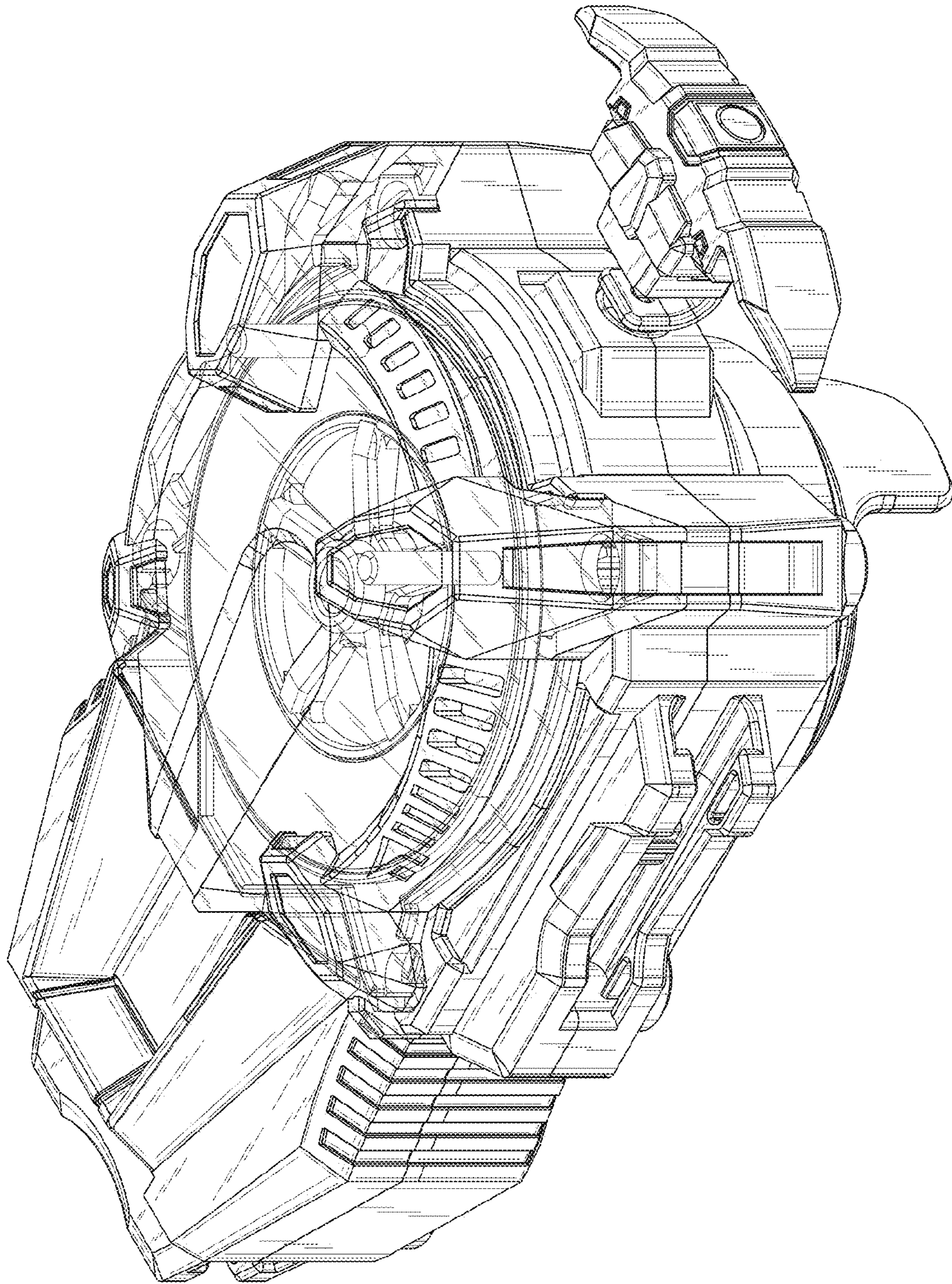


FIG. 7

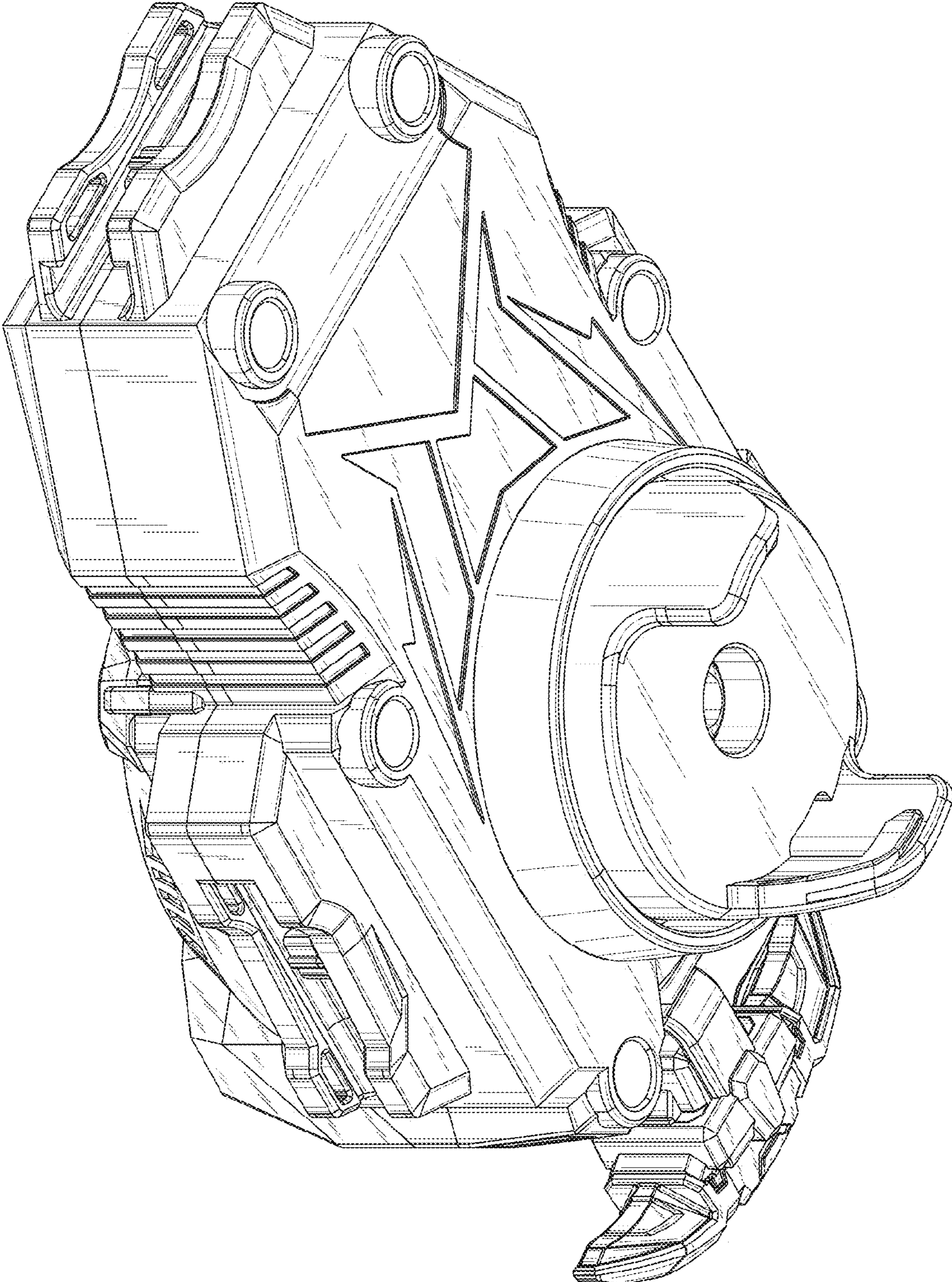


FIG. 8

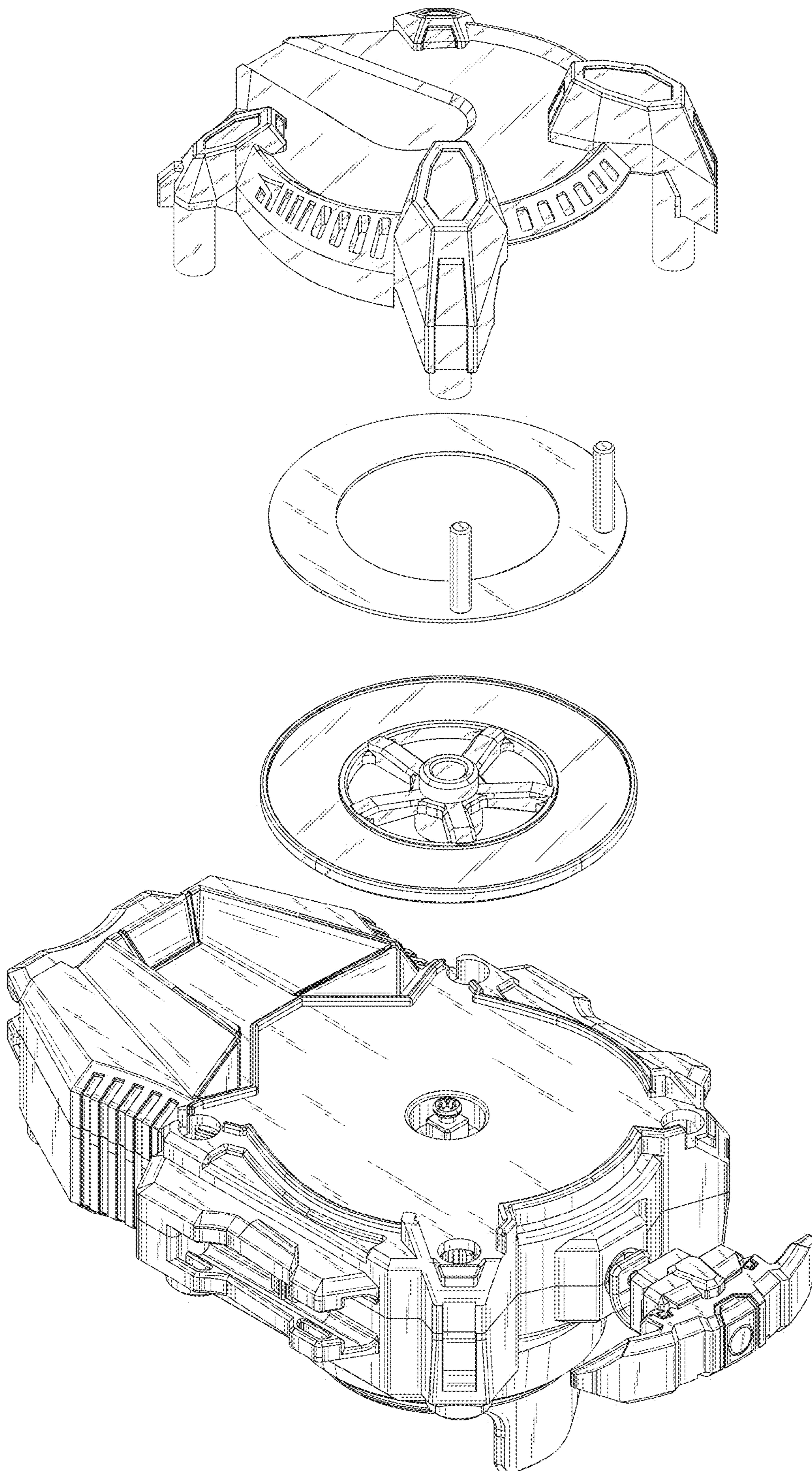


FIG. 9

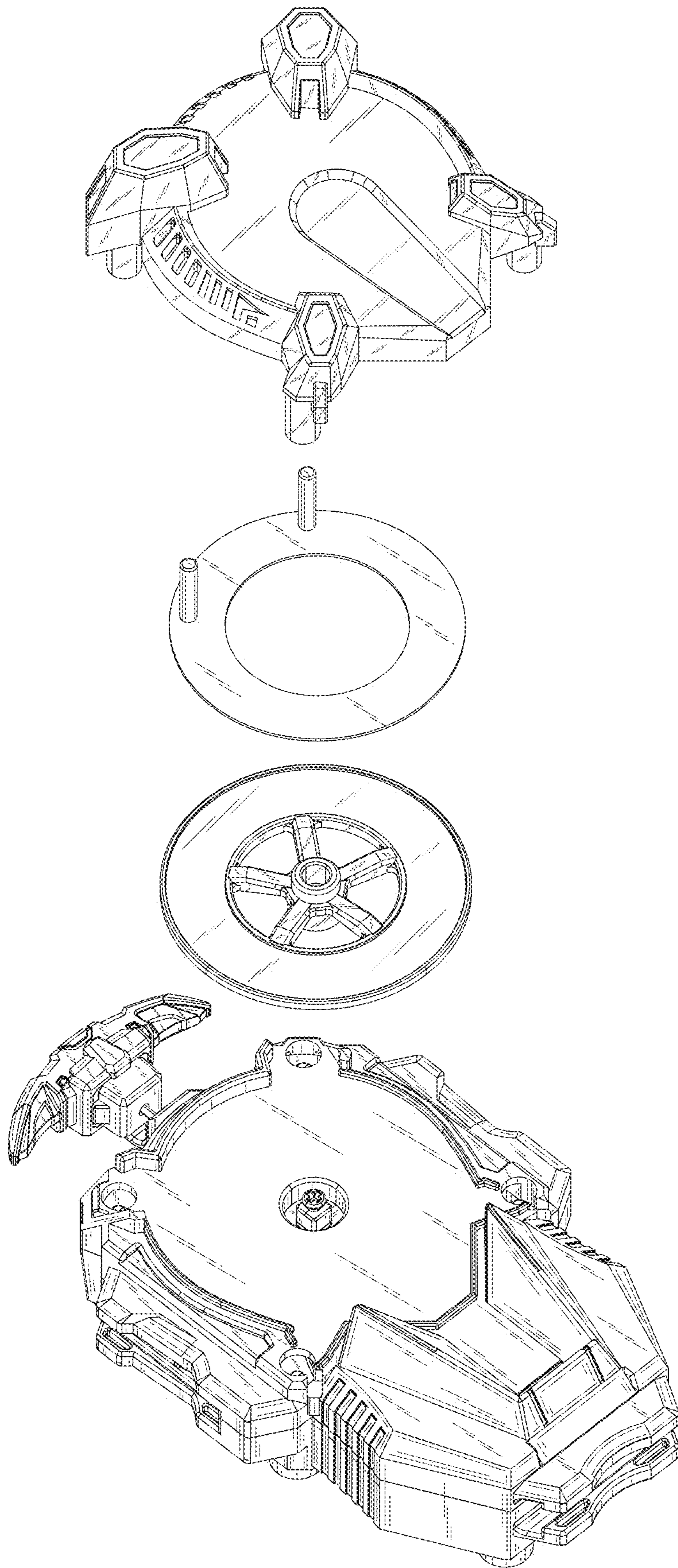


FIG. 10

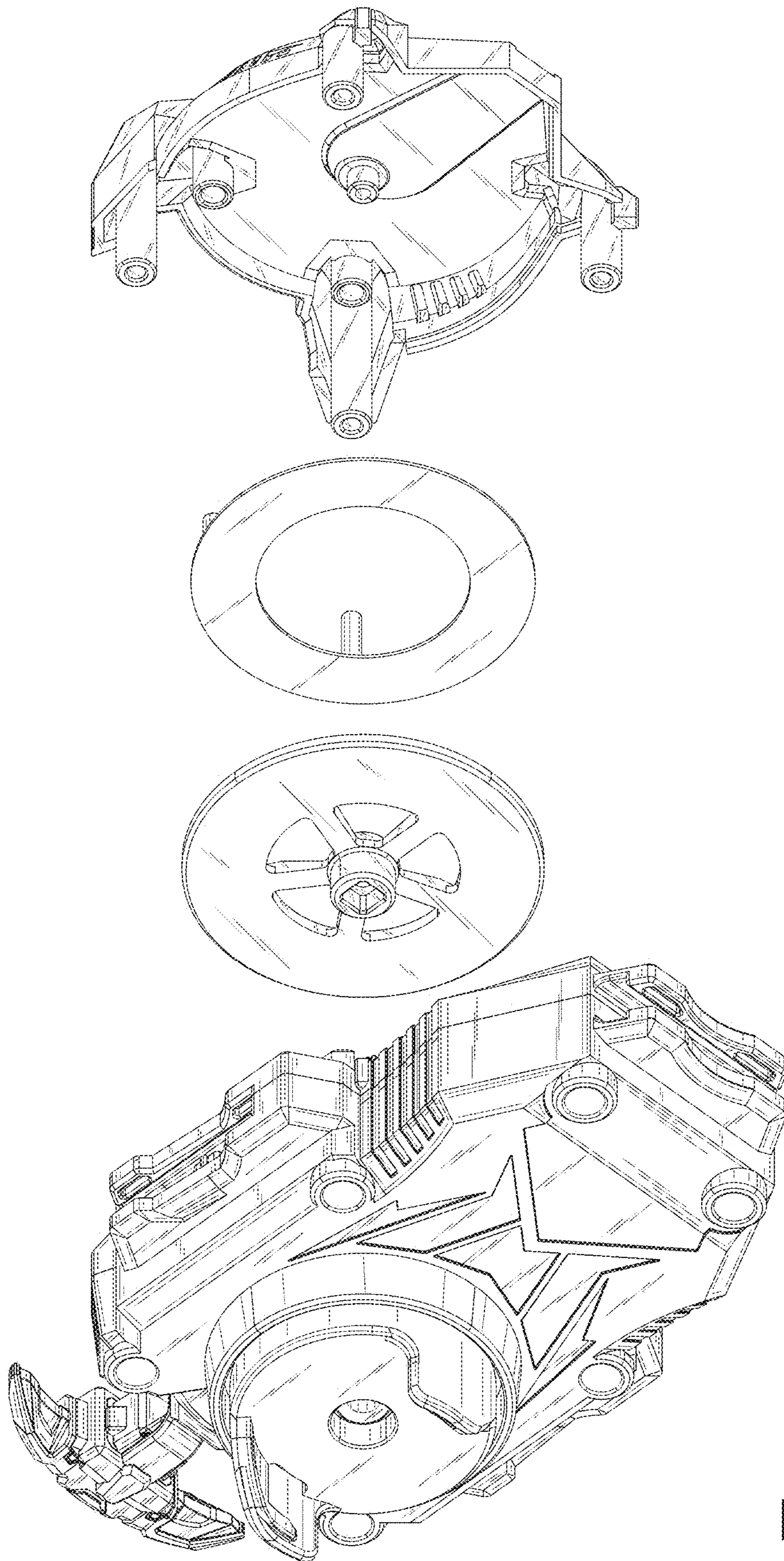


FIG. 11