



US00D949244S

(12) **United States Design Patent**
Jin et al.

(10) **Patent No.:** **US D949,244 S**

(45) **Date of Patent:** **** Apr. 19, 2022**

(54) **SELF BALANCING SCOOTER**

9,403,573 B1 * 8/2016 Mazzei B62D 61/08
9,434,438 B1 * 9/2016 Kim B62K 11/007
D793,905 S * 8/2017 Liu D12/1

(Continued)

(71) Applicant: **Ninebot (Beijing) Tech Co., Ltd.**,
Beijing (CN)

Primary Examiner — George D. Kirschbaum

(72) Inventors: **Zheng Jin**, Beijing (CN); **Liqiang Wu**,
Beijing (CN); **Lei Liu**, Beijing (CN);
Ning Wang, Beijing (CN)

(74) *Attorney, Agent, or Firm* — Frost Brown Todd LLC

(73) Assignee: **Ninebot (Beijing) Tech Co., Ltd.**,
Beijing (CN)

(57) **CLAIM**

The ornamental design for a self balancing scooter, as shown
and described.

(**) Term: **15 Years**

DESCRIPTION

(21) Appl. No.: **35/510,856**

The patent or application file contains at least one drawing
executed in color. Copies of this patent or patent application
publication with color drawing(s) will be provided by the
Office upon request and payment of the necessary fee.

(22) Filed: **May 29, 2020**

(80) **Hague Agreement Data**

Int. Filing Date: **May 29, 2020**
Int. Reg. No.: **DM/210260**
Int. Reg. Date: **May 29, 2020**
Int. Reg. Pub. Date: **Dec. 4, 2020**

1.-3. Self balancing scooter

(30) **Foreign Application Priority Data**

Nov. 29, 2019 (CN) 201930665826.3
Nov. 29, 2019 (CN) 201930665849.4

1.1 : Front
1.2 : Back
1.3 : Left
1.4 : Right
1.5 : Top
1.6 : Bottom
1.7 : Perspective

(51) **LOC (13) Cl.** **21-01**

(52) **U.S. Cl.**
USPC **D21/423**

2.1 : Front
2.2 : Back
2.3 : Left
2.4 : Right
2.5 : Top
2.6 : Bottom
2.7 : Perspective

(58) **Field of Classification Search**
USPC D21/423; D12/1, 107; D15/1, 199
See application file for complete search history.

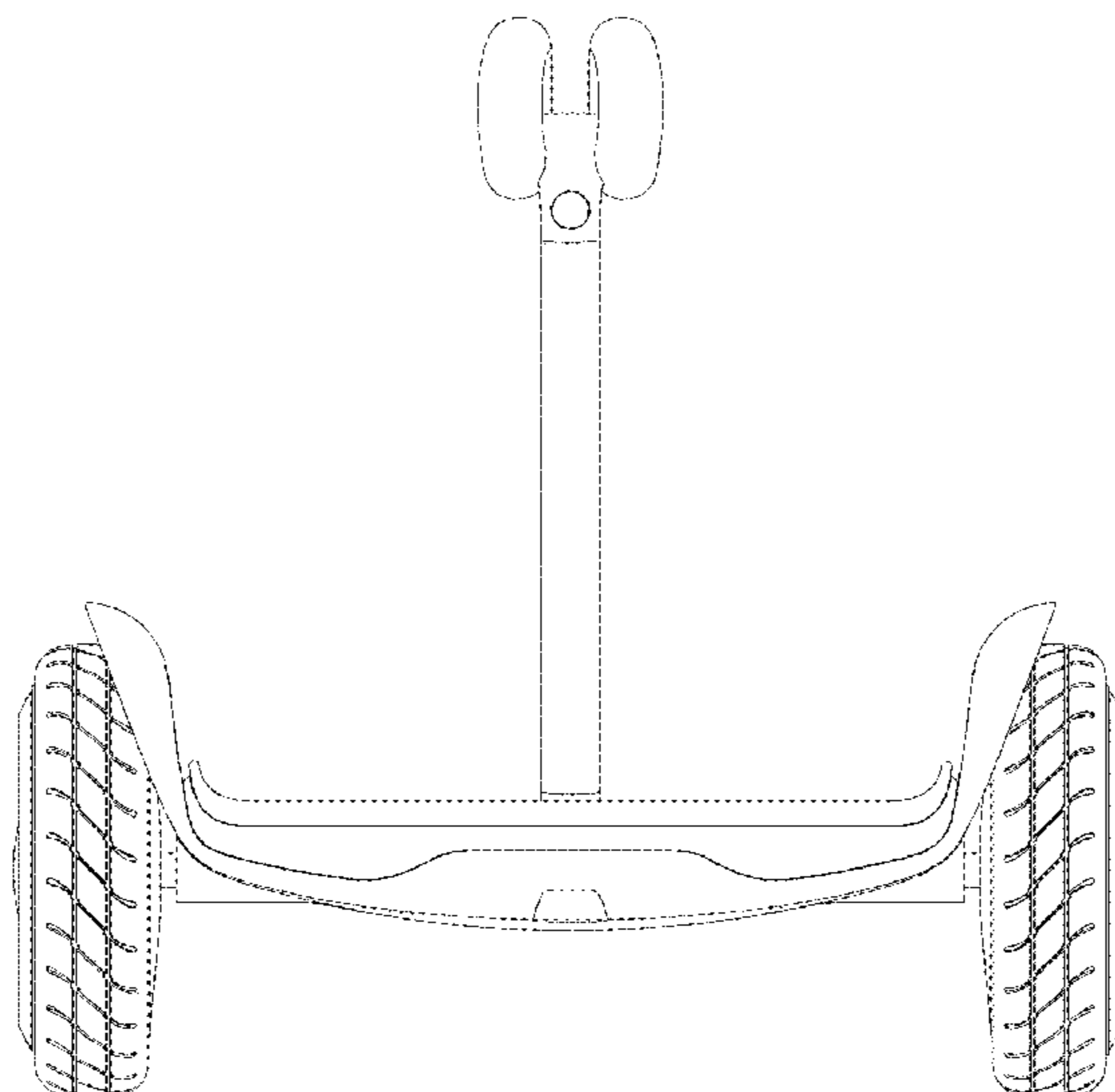
3.1 : Front
3.2 : Back
3.3 : Left
3.4 : Right
3.5 : Top
3.6 : Bottom
3.7 : Perspective

(56) **References Cited**

U.S. PATENT DOCUMENTS

D551,592 S * 9/2007 Chang D12/1
D551,722 S * 9/2007 Chang B62K 11/007
D12/1
D748,533 S * 2/2016 Collins D12/1

1 Claim, 21 Drawing Sheets
(7 of 21 Drawing Sheet(s) Filed in Color)



(56)

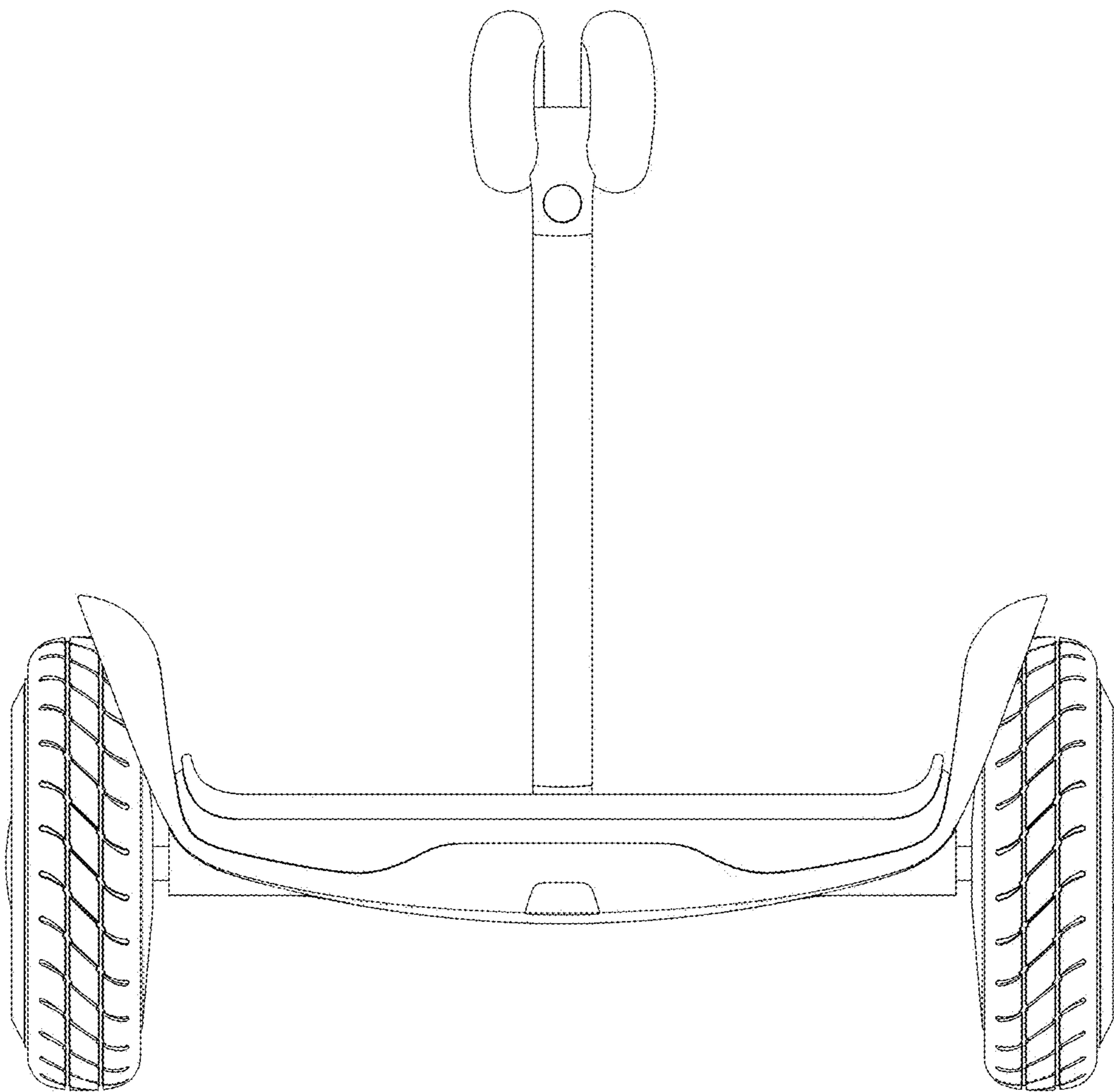
References Cited

U.S. PATENT DOCUMENTS

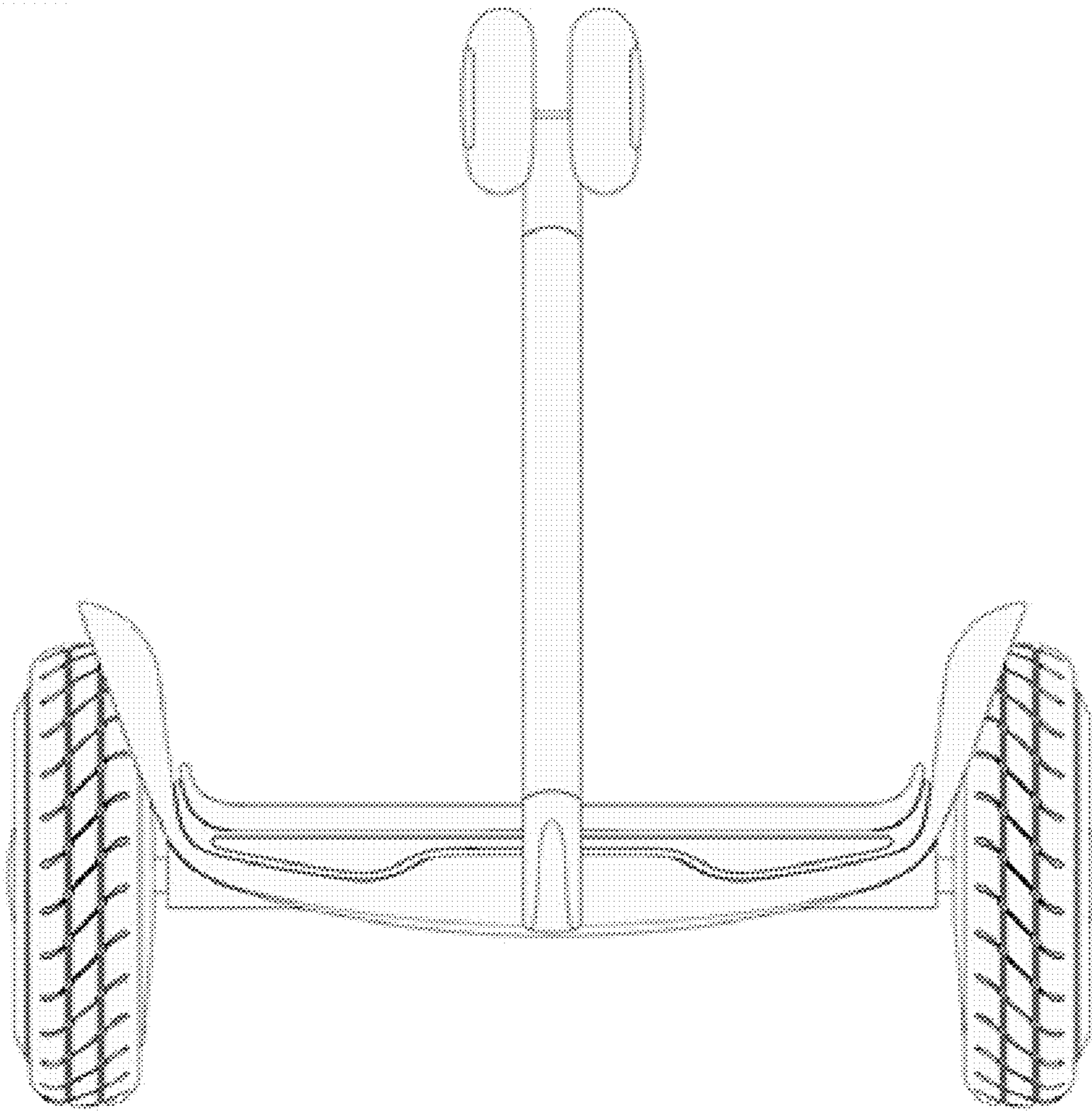
D795,134 S * 8/2017 Liu D12/1
D816,119 S * 4/2018 Pu D15/1
D834,650 S * 11/2018 Li D14/223
D835,544 S * 12/2018 Liu D12/1
D836,728 S * 12/2018 Liu D21/423
D837,855 S * 1/2019 Chen D15/199
10,167,038 B2 * 1/2019 Kim B62J 25/04
10,671,078 B2 * 6/2020 Chen G05D 1/0223
10,737,739 B2 * 8/2020 Martinelli B60K 1/04
10,752,313 B2 * 8/2020 Zuo B62K 21/00
D915,947 S * 4/2021 Jin D12/107
D926,261 S * 7/2021 Jin D21/423
11,077,909 B2 * 8/2021 Wang B62J 43/28

* cited by examiner

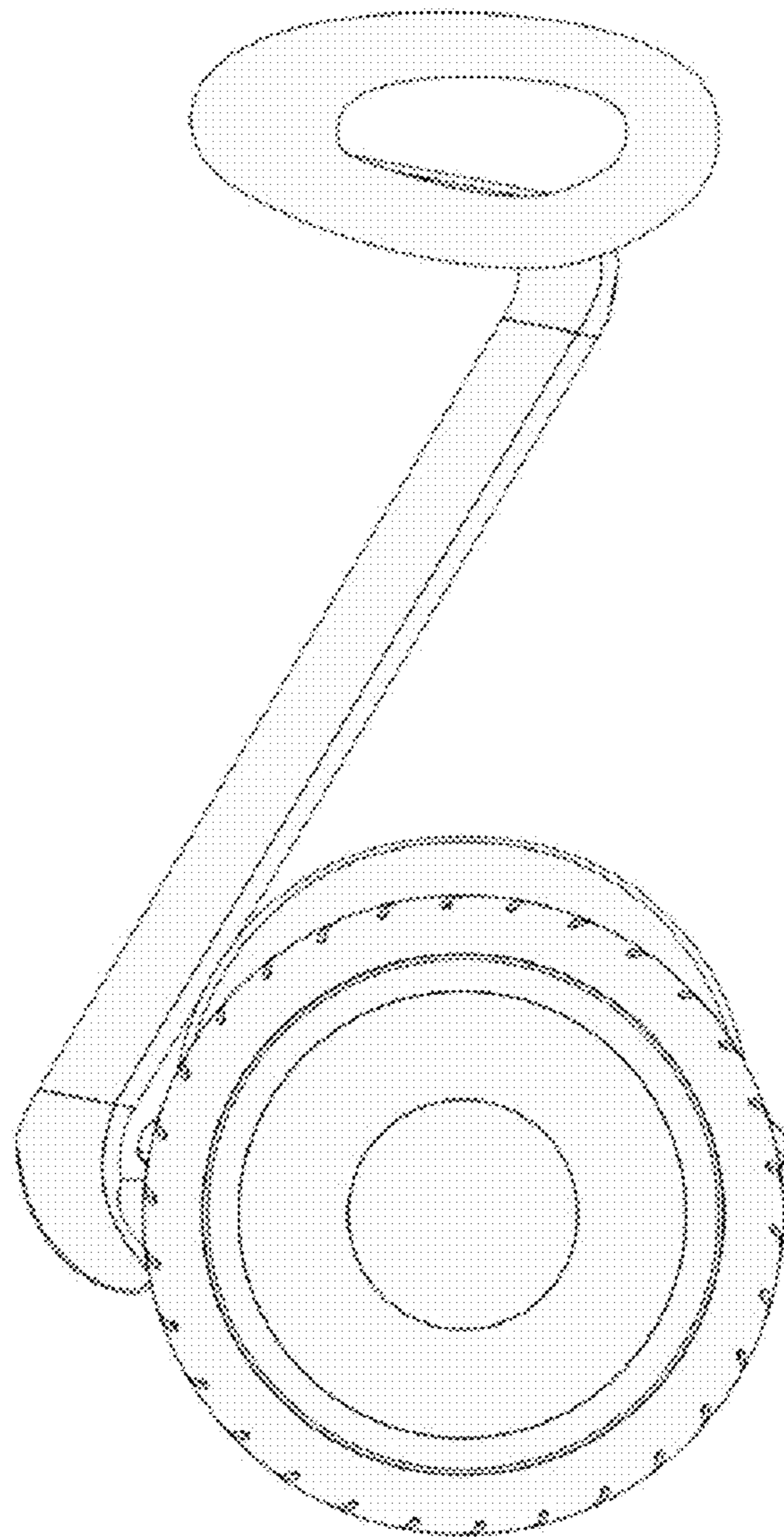
1.1



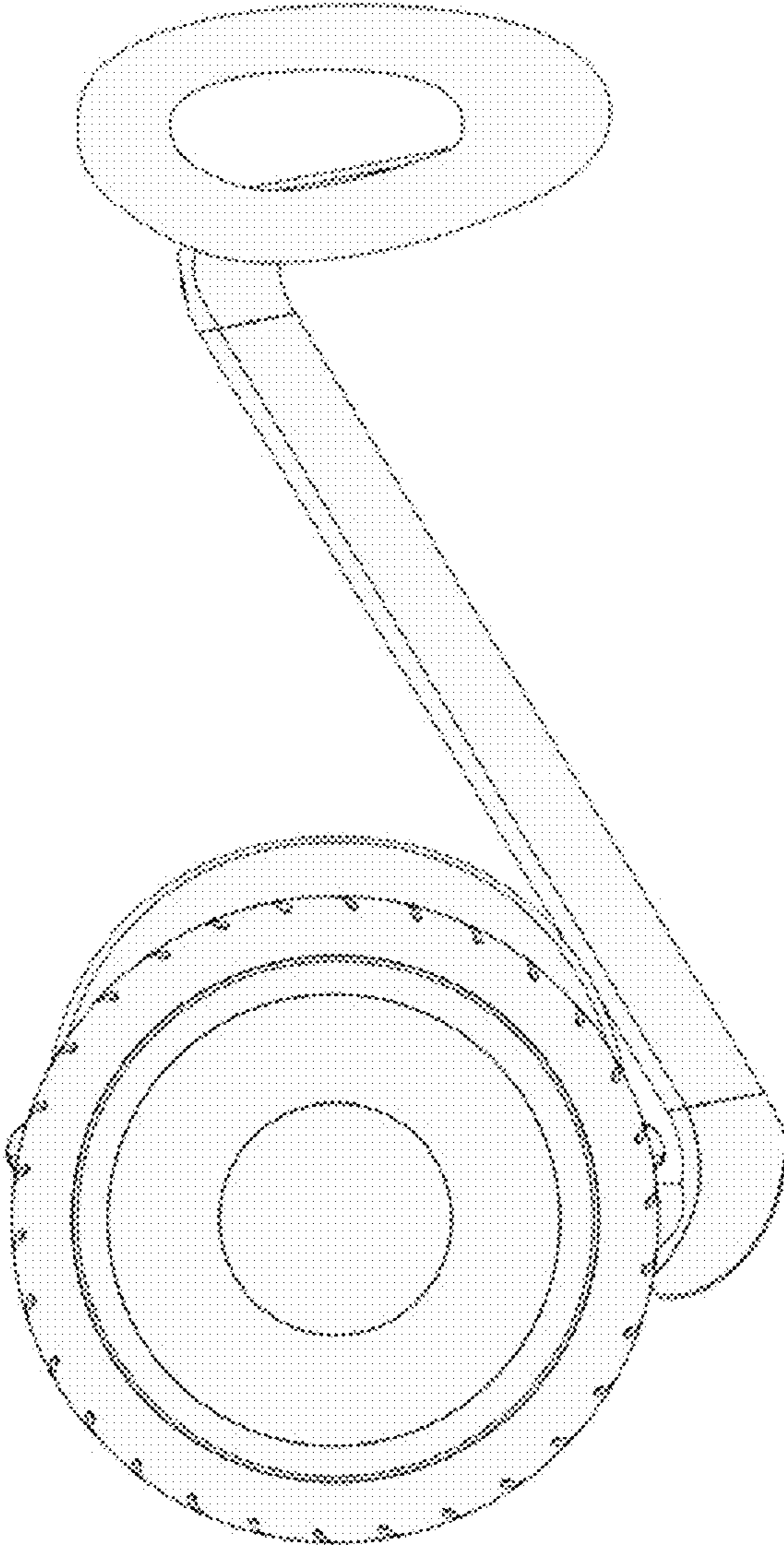
1.2

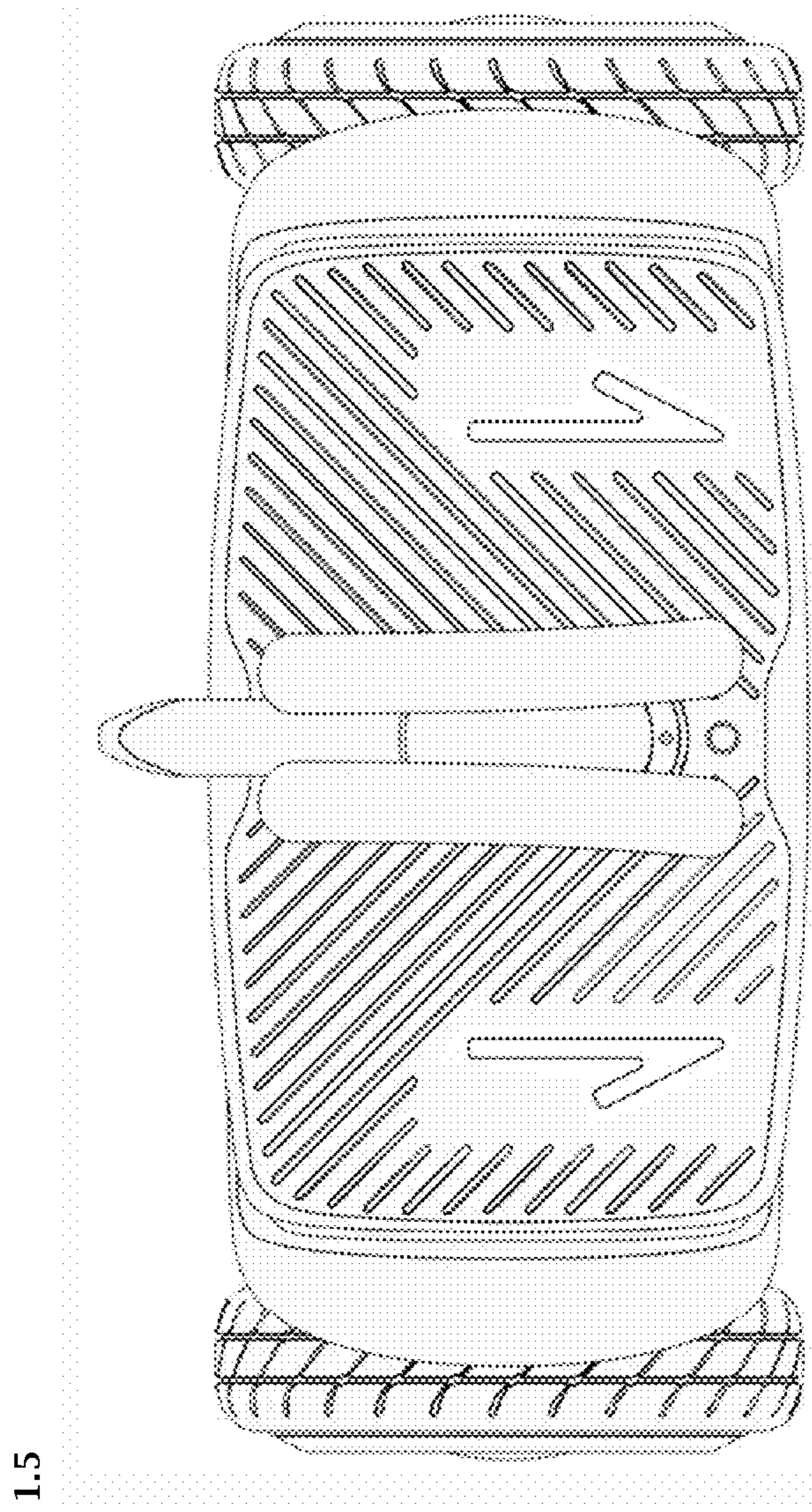


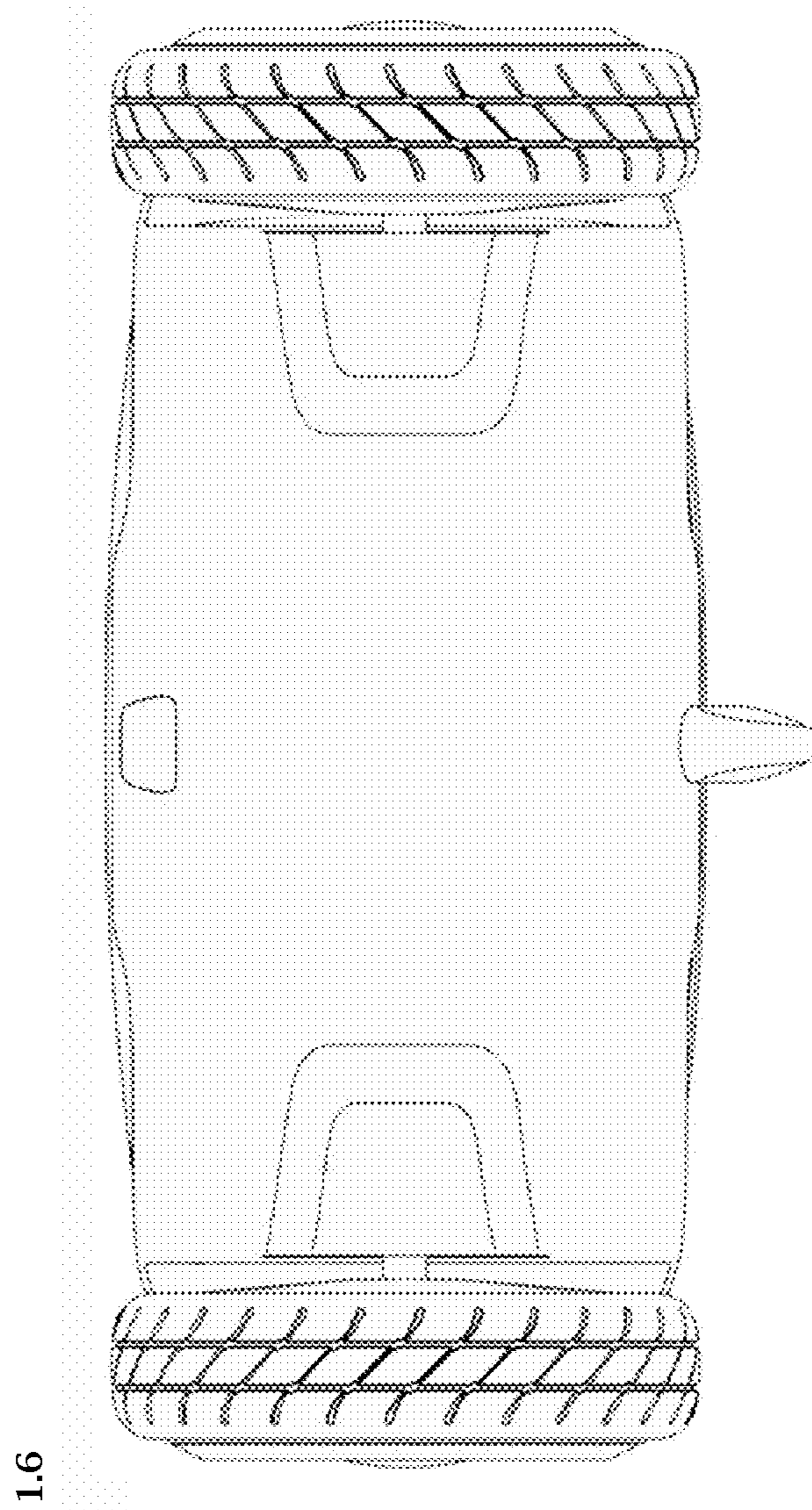
1.3



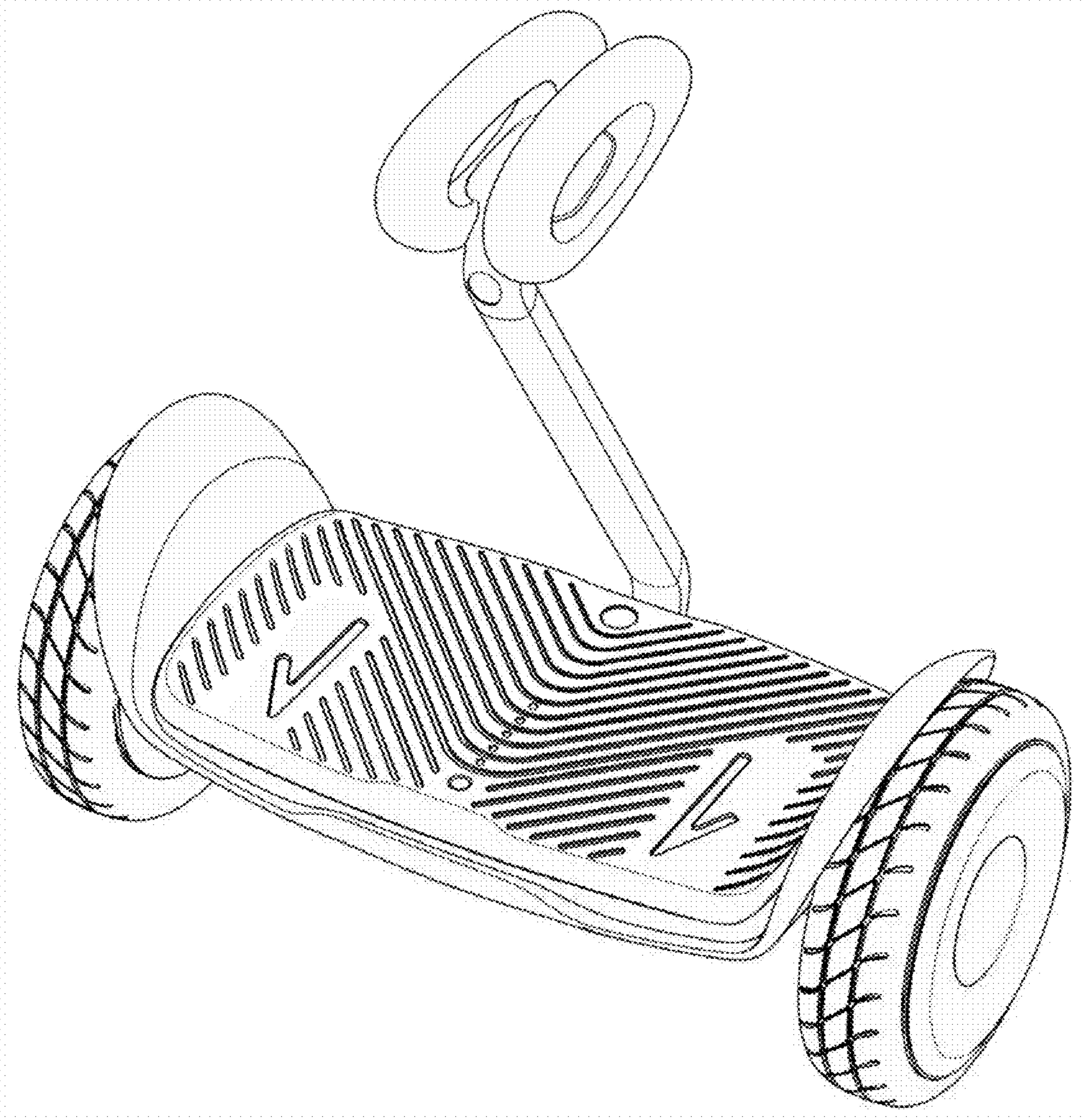
1.4



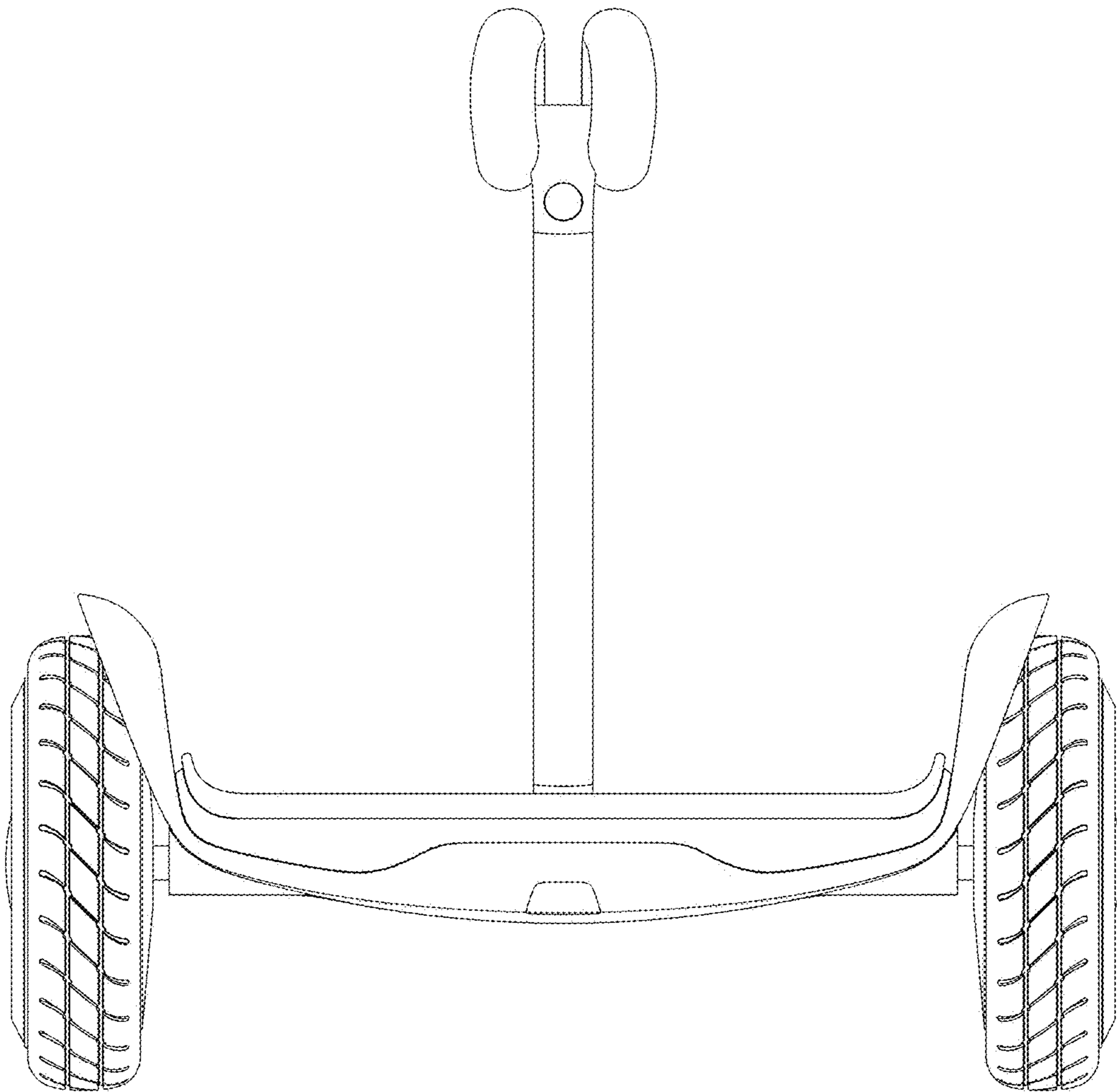




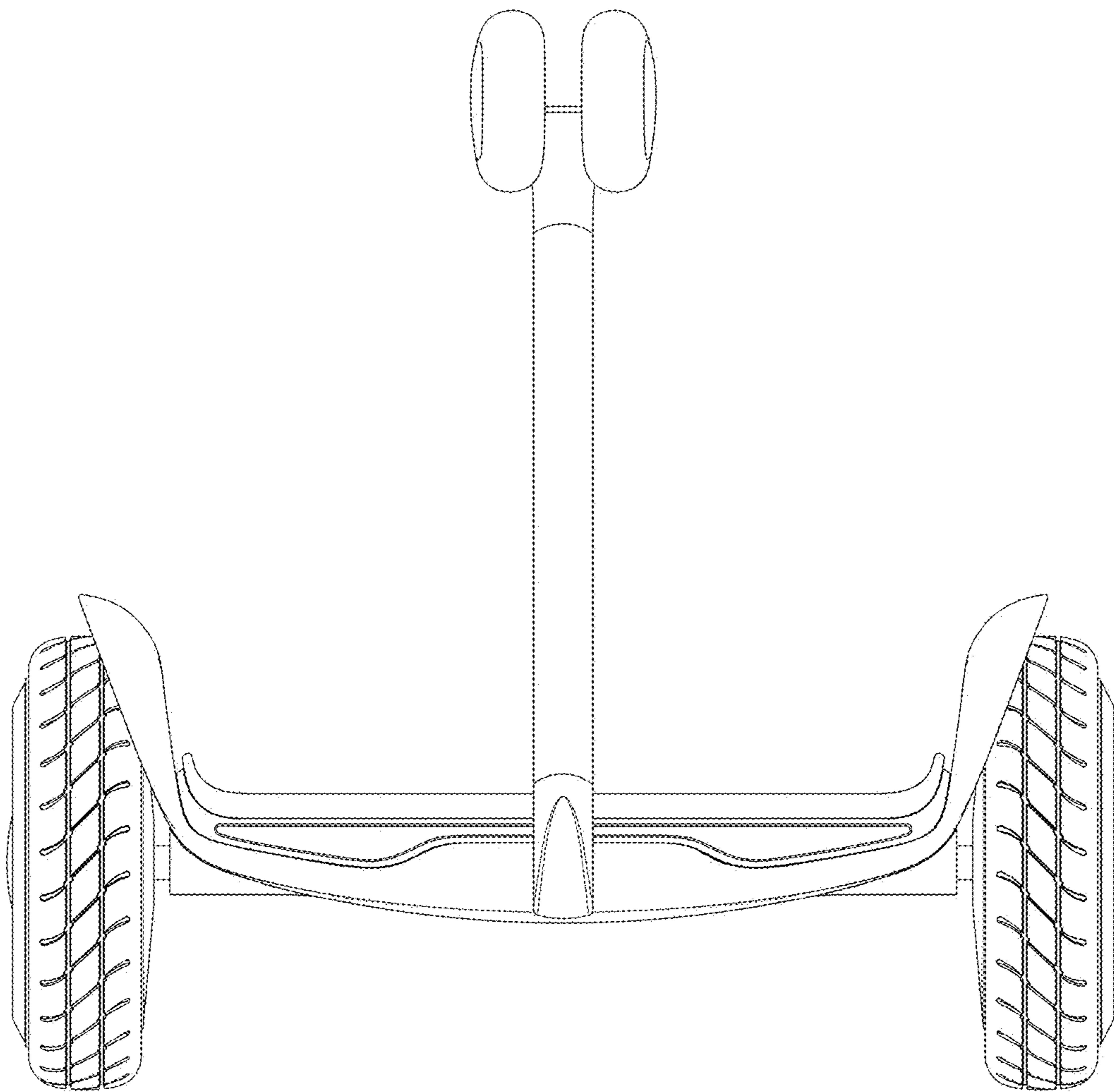
1.7



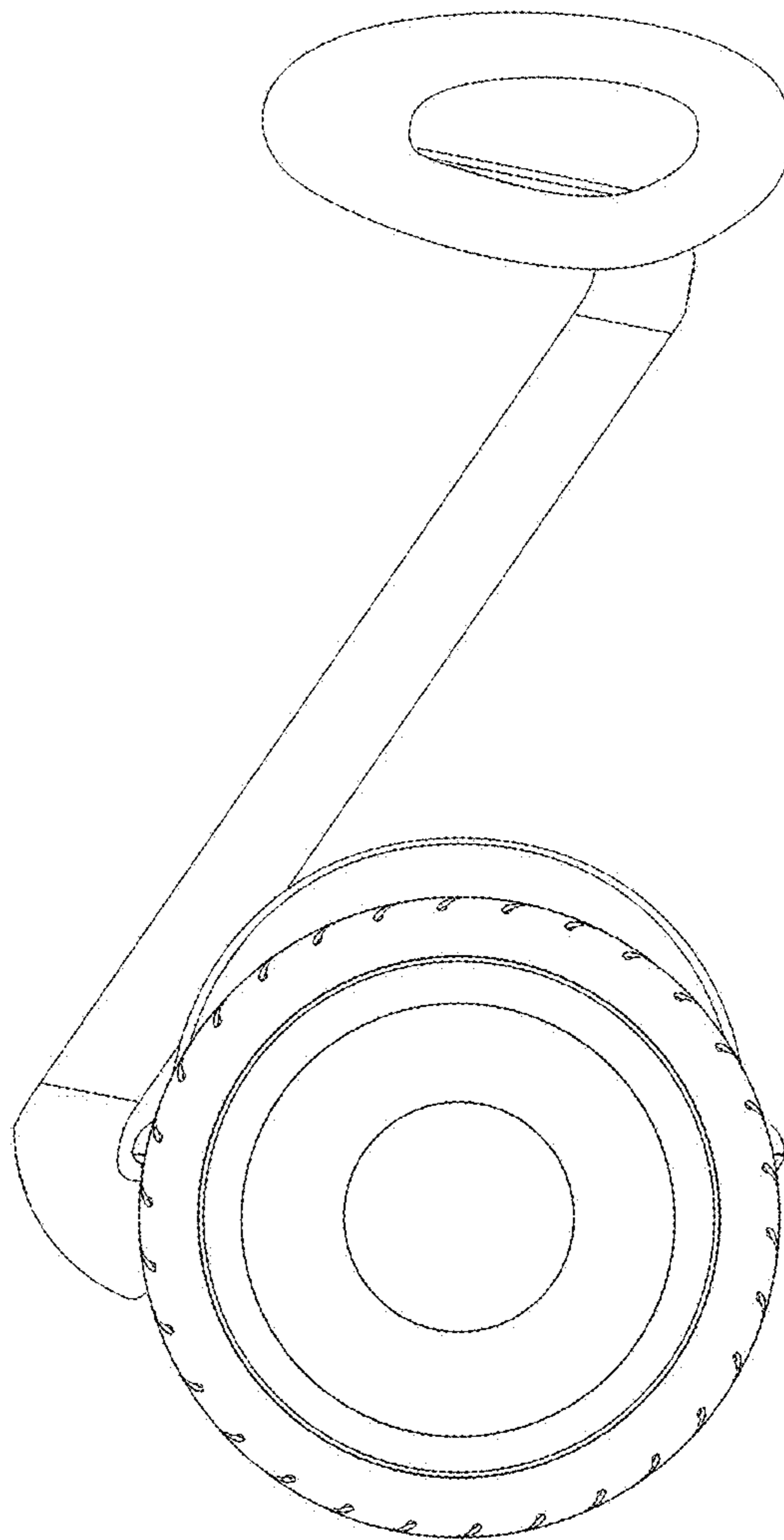
2.1



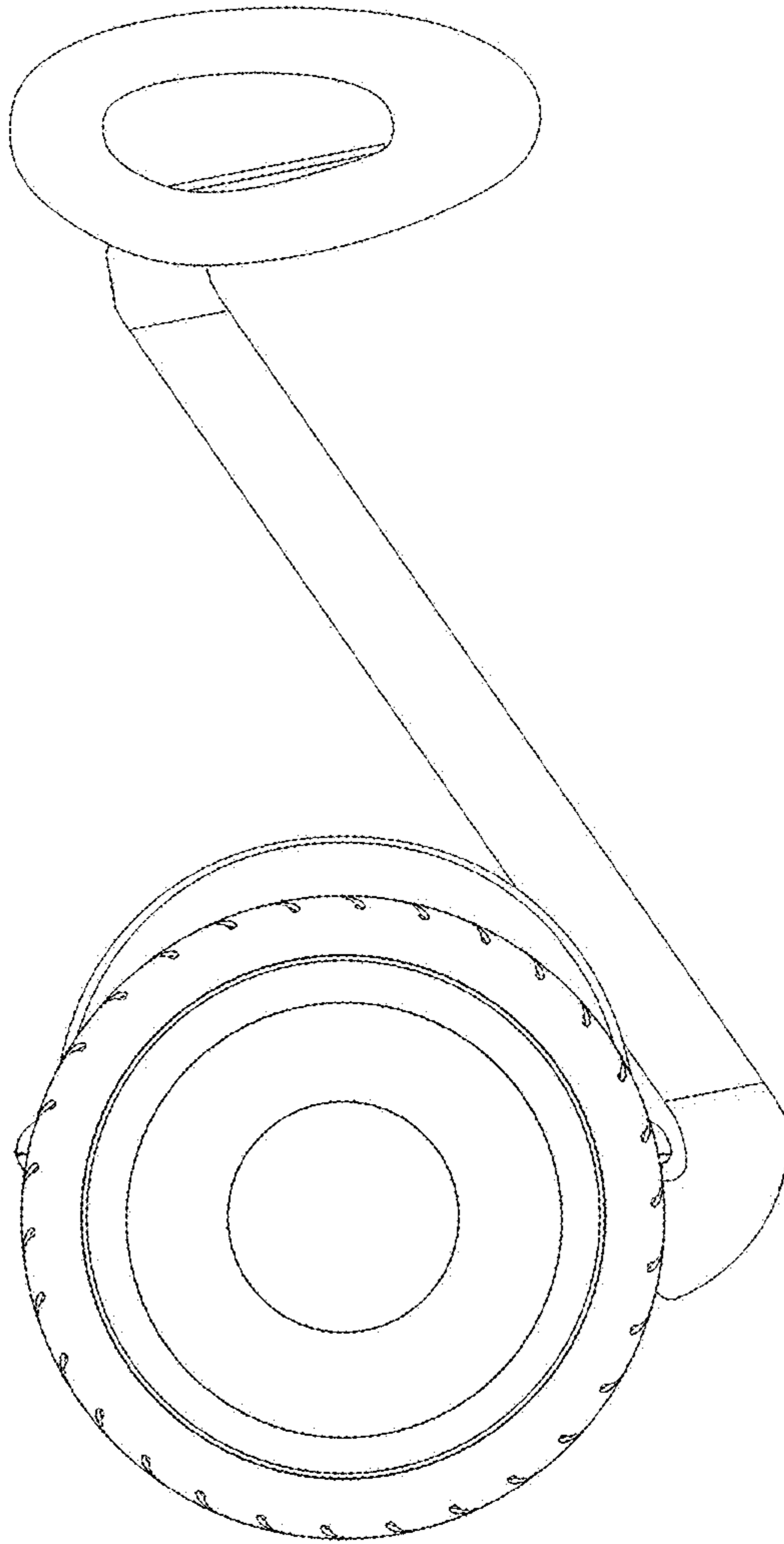
2.2

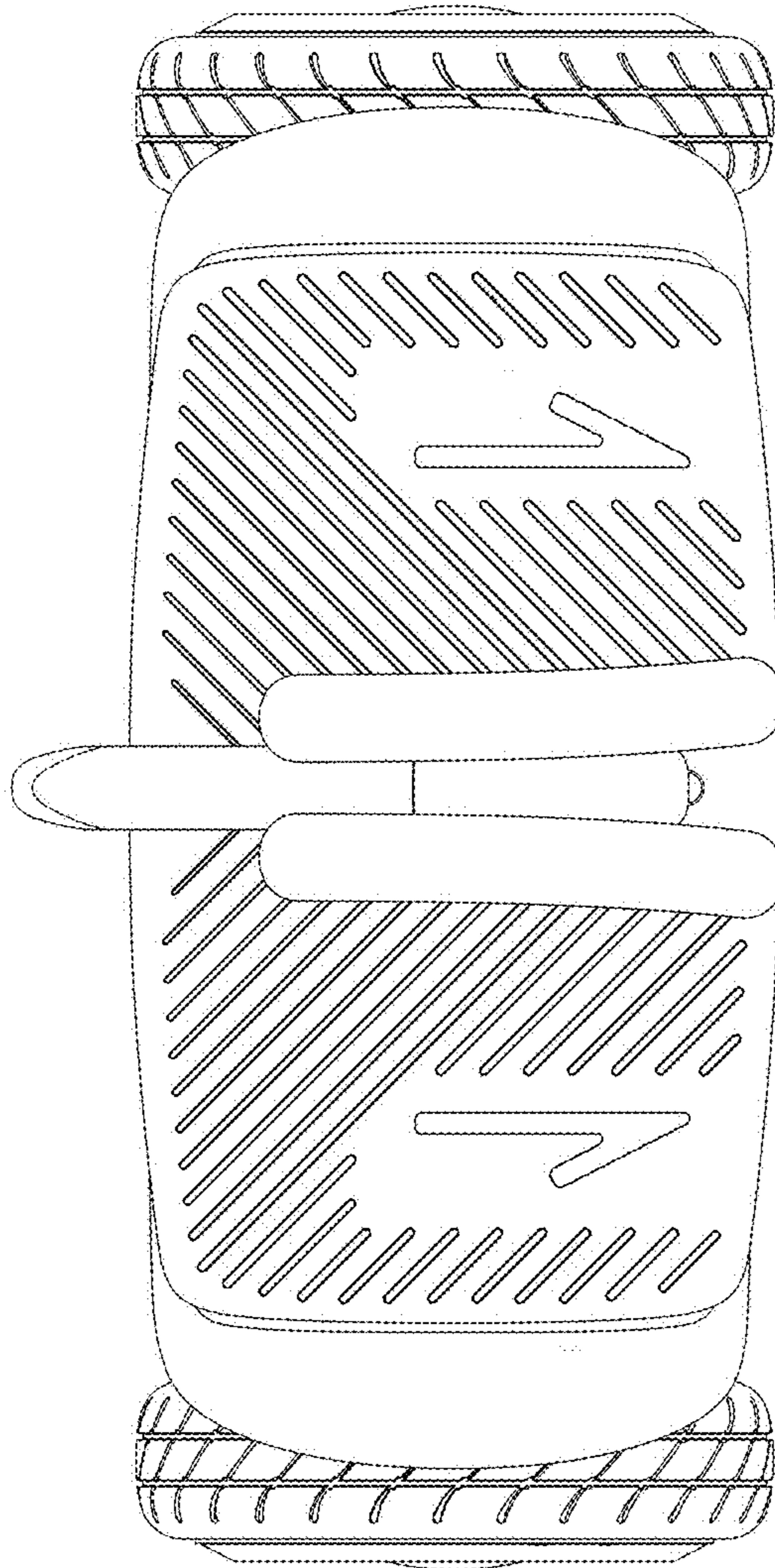


2.3

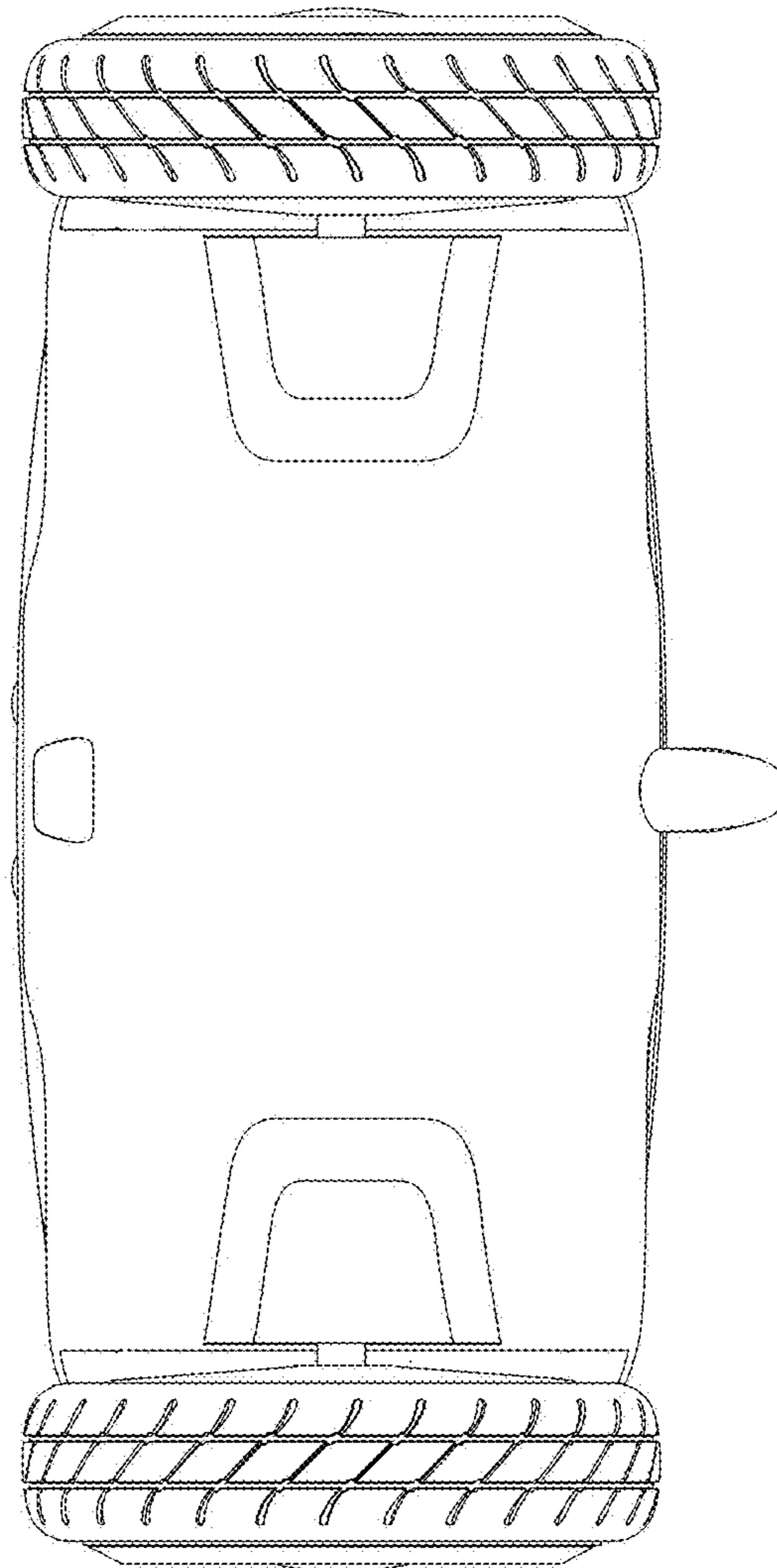


2.4



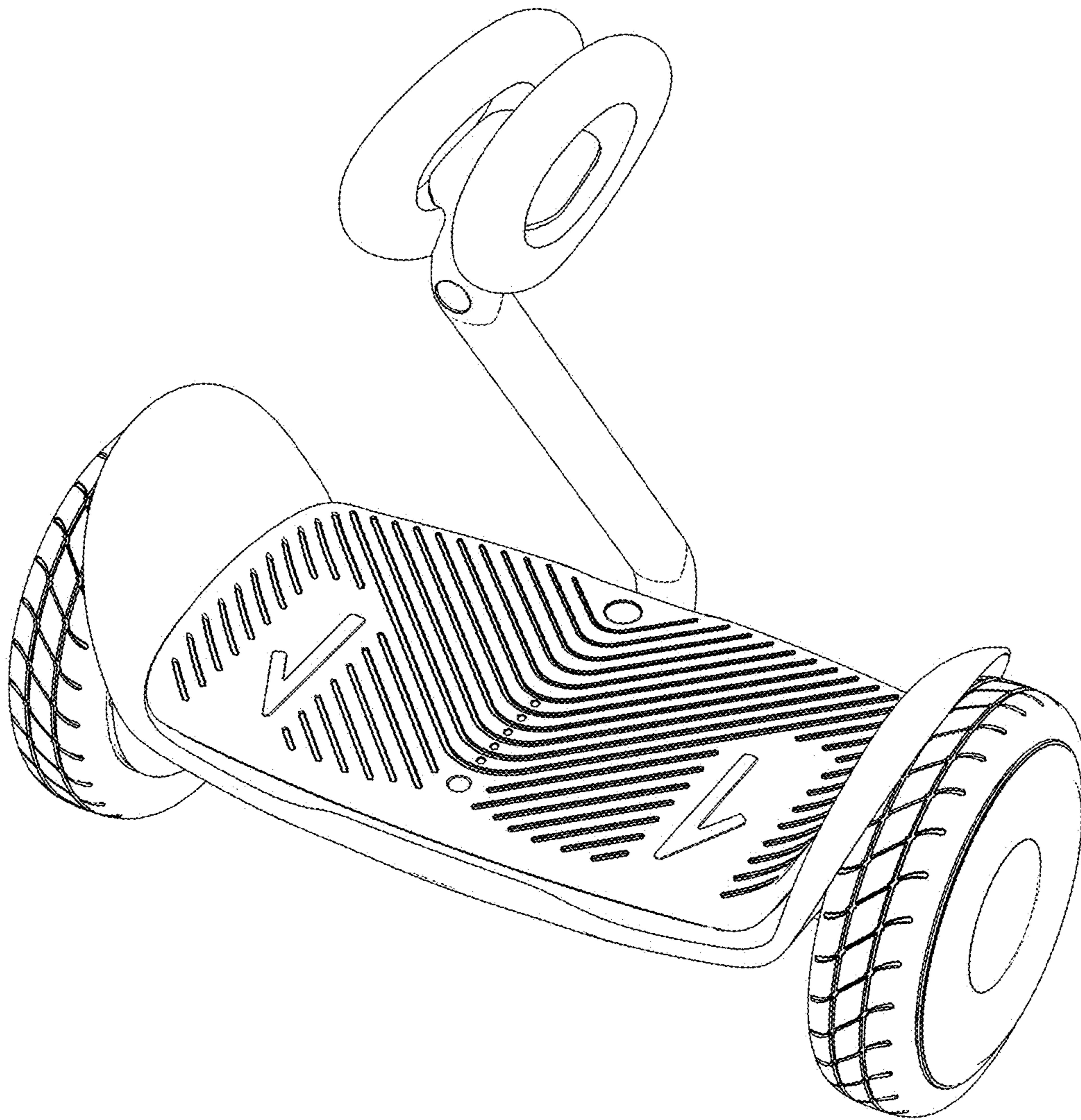


2.5

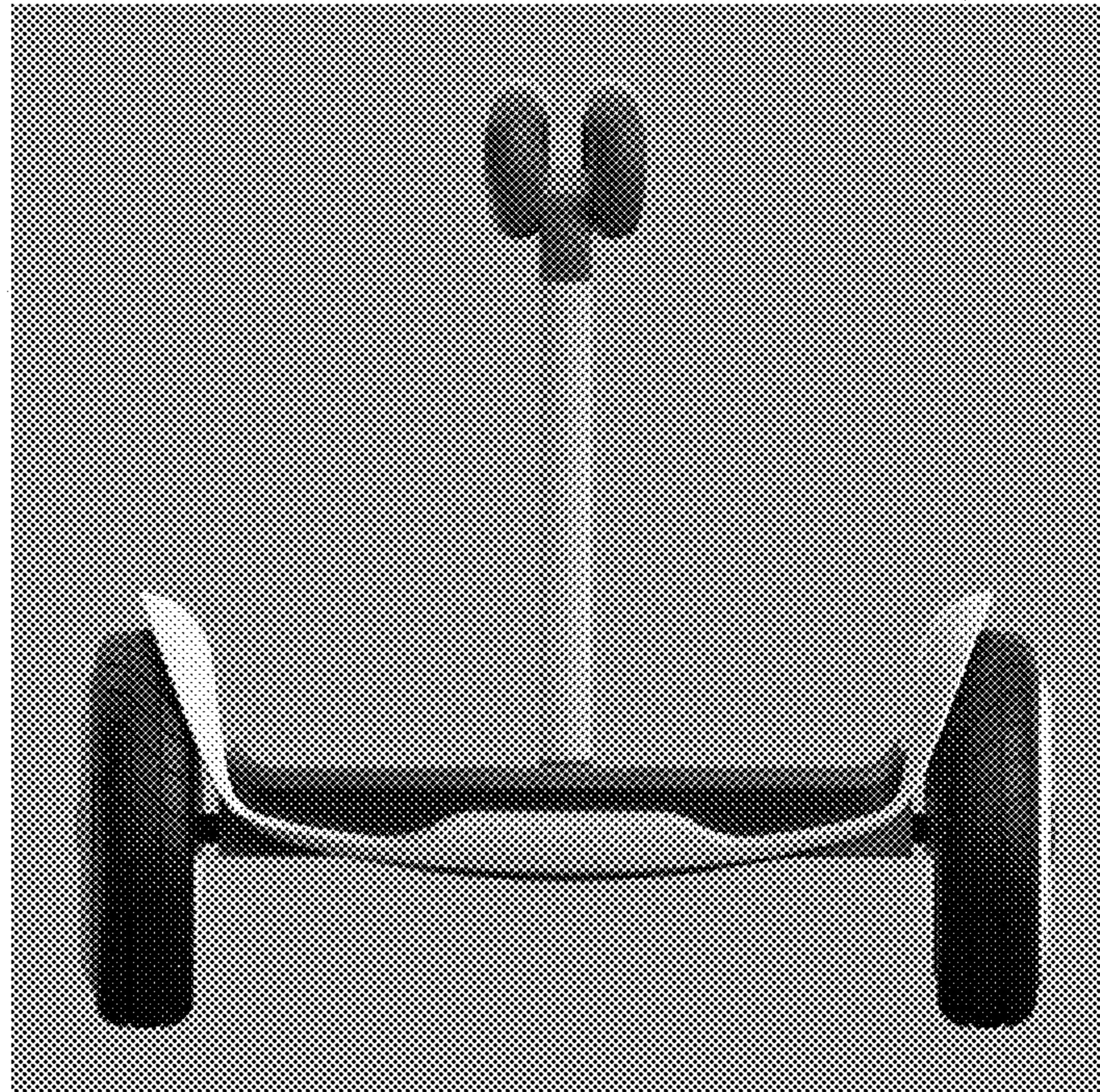


2.6

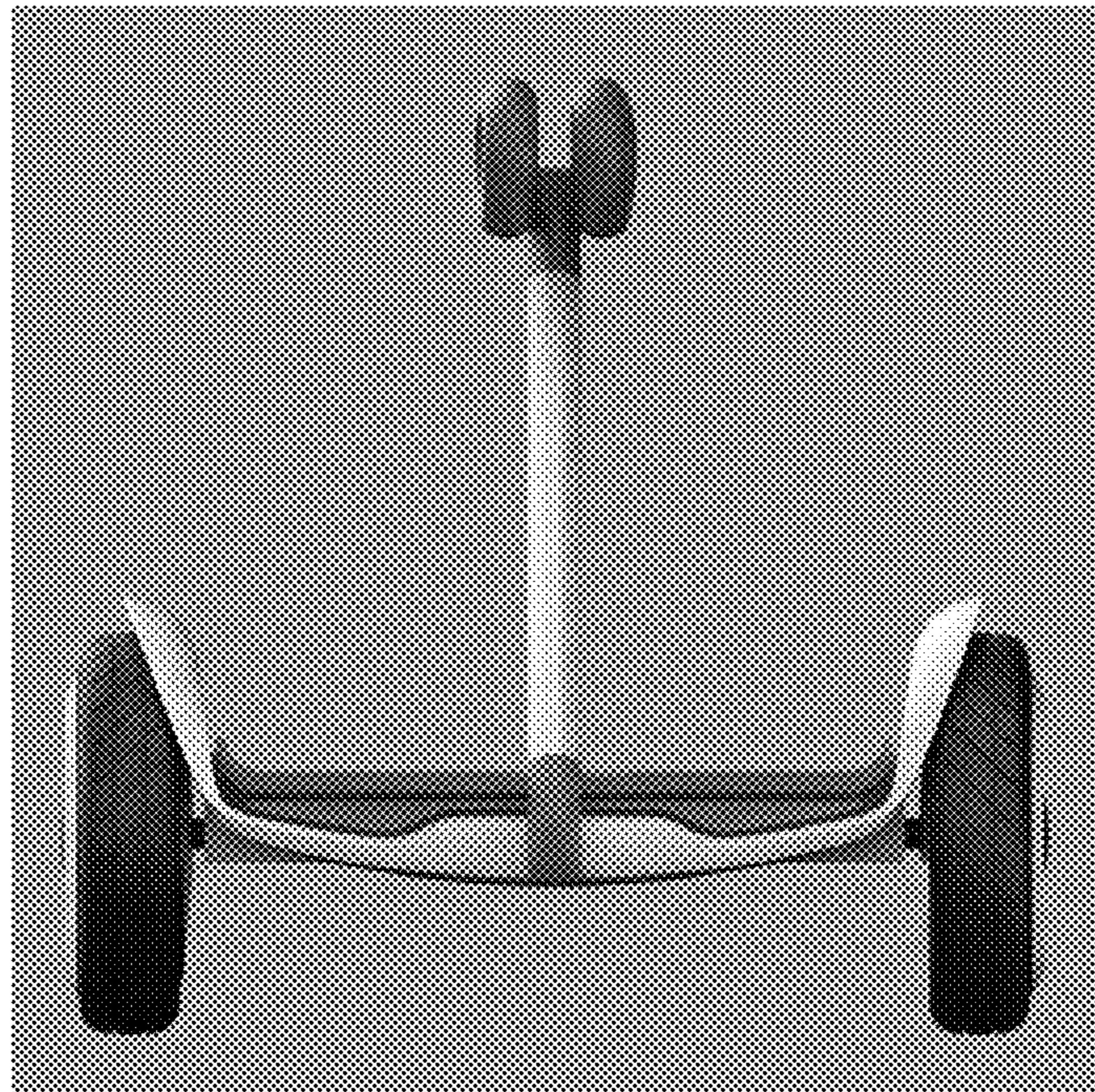
2.7



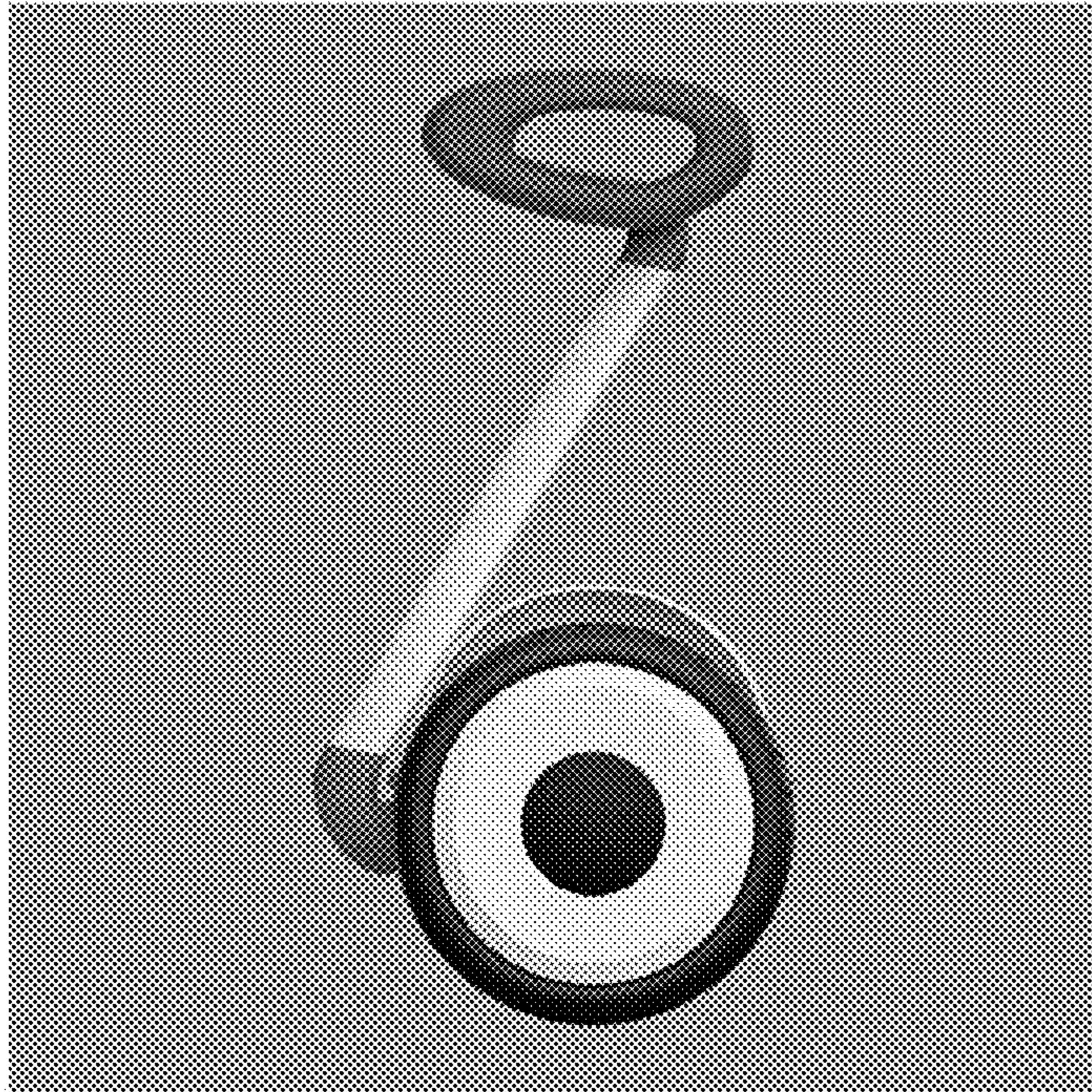
3.1



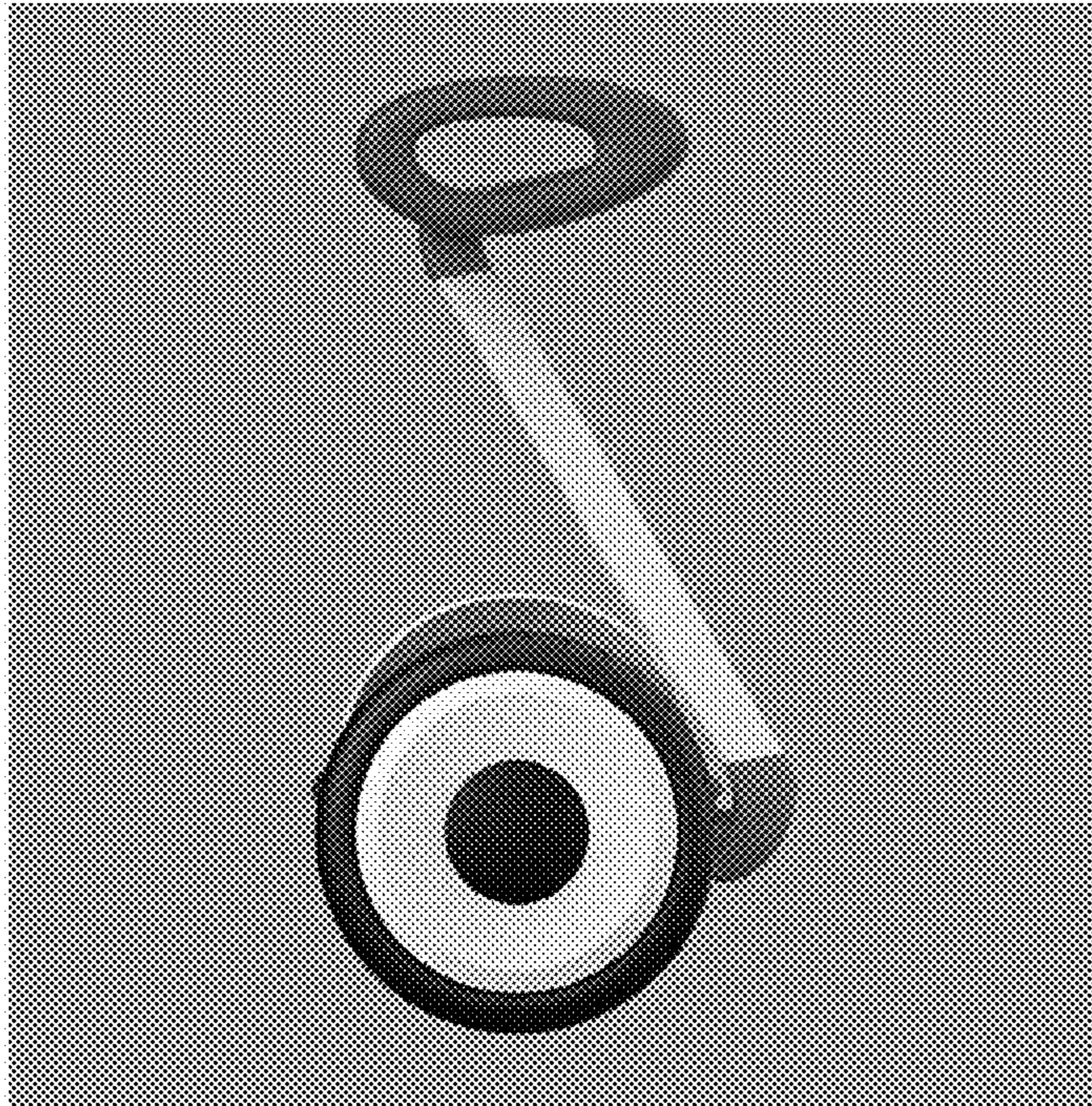
3.2



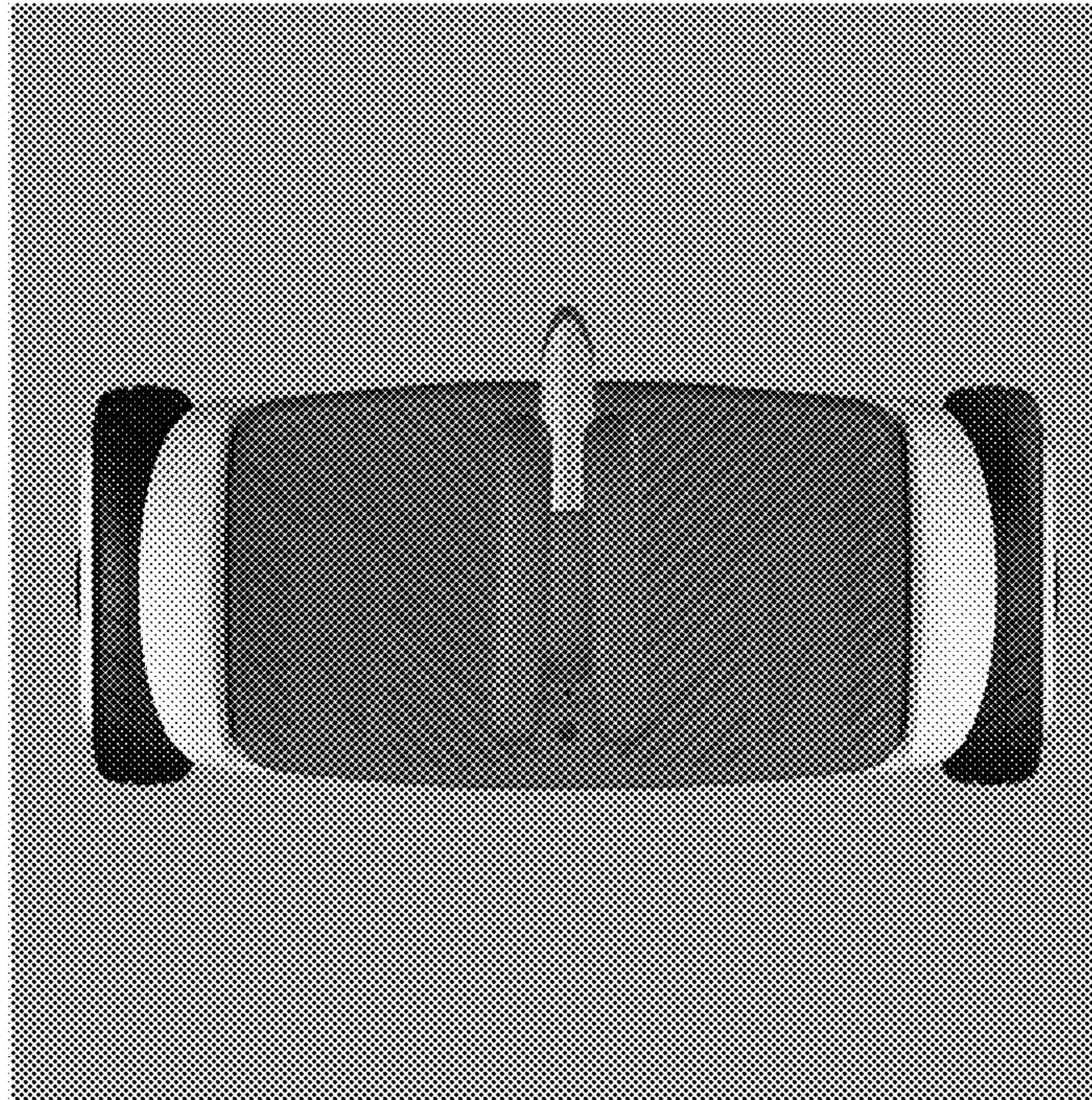
3.3



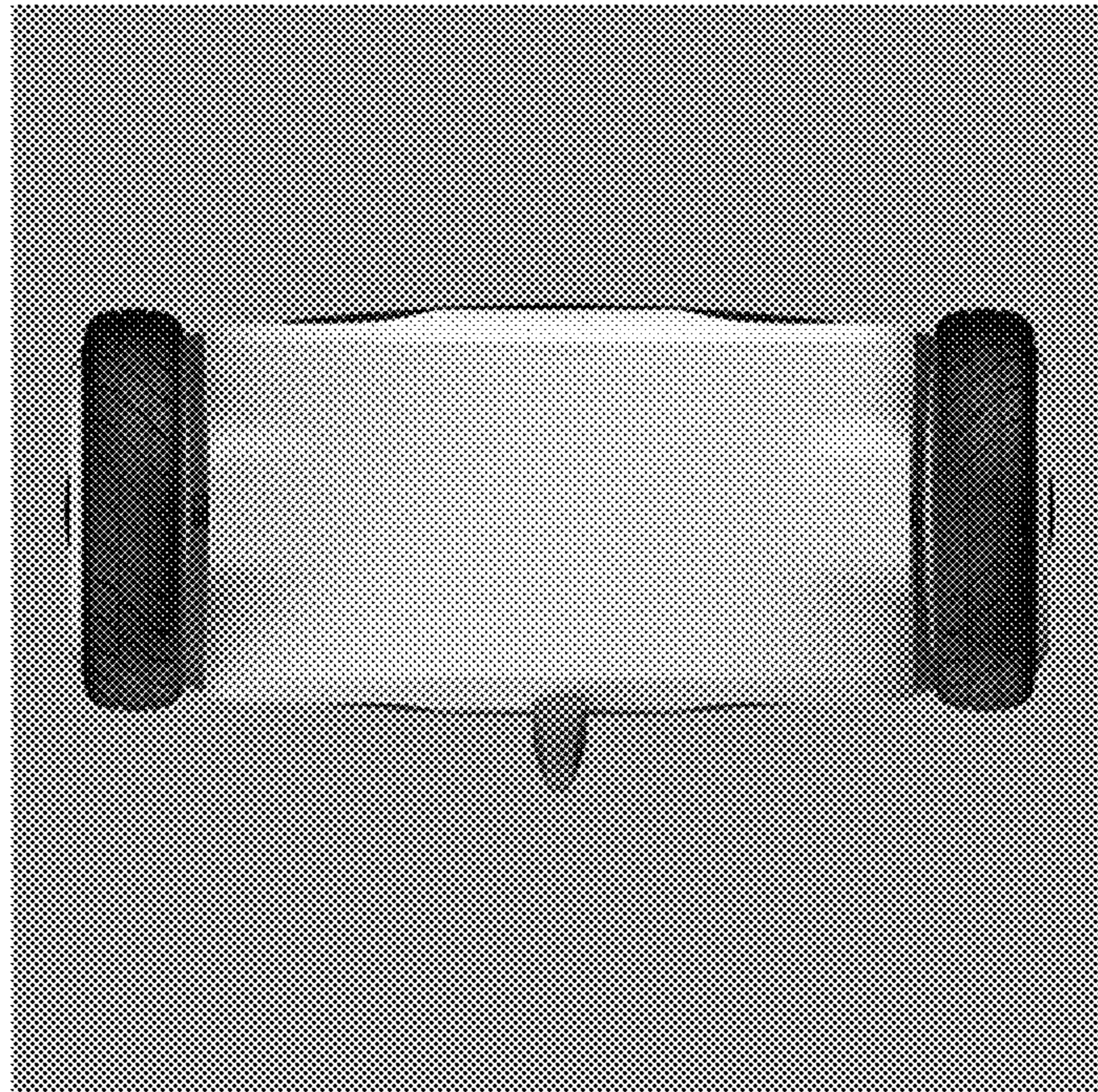
3.4



3.5



3.6



3.7

