

US00D949243S

(12) **United States Design Patent**  
**Huang**

(10) **Patent No.:** **US D949,243 S**  
(45) **Date of Patent:** **\*\* Apr. 19, 2022**

(54) **TOY** 7,381,166 B2 \* 6/2008 Bazinet ..... A63B 5/22  
482/79

(71) Applicant: **Xiaoyun Chen**, Shenzhen (CN) D705,365 S 5/2014 Chen  
2003/0027484 A1 \* 2/2003 Kessler ..... A63B 5/22  
446/247

(72) Inventor: **Jianyong Huang**, New York, NY (US) 2007/0032354 A1 \* 2/2007 Bazinet ..... A63B 5/22  
482/81

(73) Assignee: **Xiaoyun Chen**, Shenzhen (CN) 2013/0084769 A1 \* 4/2013 Kessler ..... A63B 69/0079  
446/247

(\*\*) Term: **15 Years**

(21) Appl. No.: **29/777,050**

(22) Filed: **Apr. 2, 2021**

(51) **LOC (13) Cl.** ..... **21-01**

(52) **U.S. Cl.**  
USPC ..... **D21/420; D21/672**

(58) **Field of Classification Search**  
USPC ..... D21/420, 466, 672  
CPC ..... A63B 5/22; A63H 33/02  
See application file for complete search history.

(56) **References Cited**

**U.S. PATENT DOCUMENTS**

3,509,660 A \* 5/1970 Seymour ..... A63B 19/00  
446/38

D281,889 S \* 12/1985 Bate ..... D21/672

4,875,675 A \* 10/1989 Arad ..... A63B 5/22  
482/81

D309,484 S \* 7/1990 Arad ..... D21/672

D478,136 S \* 8/2003 Chang ..... D21/466

6,695,671 B2 \* 2/2004 Kessler ..... A63B 5/22  
446/247

6,776,679 B1 \* 8/2004 Menow ..... A63B 5/22  
446/236

7,101,321 B2 \* 9/2006 Kessler ..... A63B 5/22  
446/247

7,195,534 B1 \* 3/2007 Millman ..... A63B 5/22  
446/236

**OTHER PUBLICATIONS**

Mumba Kids Foldable Ankle Skip Ball, Date first available May 28, 2019, [online], [site visited Nov. 19, 2021]. Available from Internet: <URL:https://www.amazon.com/Mumba-Foldable-Colorful-Fitness-Children/dp/B07SF5NHD9/> (Year: 2019).\*

Qmoeh Skip It Ball, Foldable Skip It Ankle Skipit Toy, Date first available Jul. 22, 2019, , [online], [site visited Nov. 19, 2021]. Available from Internet: <URL:https://www.amazon.com/dp/B07VK7P87L/> (Year: 2019).\*

(Continued)

*Primary Examiner* — Cynthia M. Chin

(57) **CLAIM**

The ornamental design for a toy, as shown and described.

**DESCRIPTION**

FIG. 1 is a perspective view of a toy showing my new design;

FIG. 2 is a front elevational view thereof;

FIG. 3 is a rear elevational view thereof;

FIG. 4 is a left side elevational view thereof;

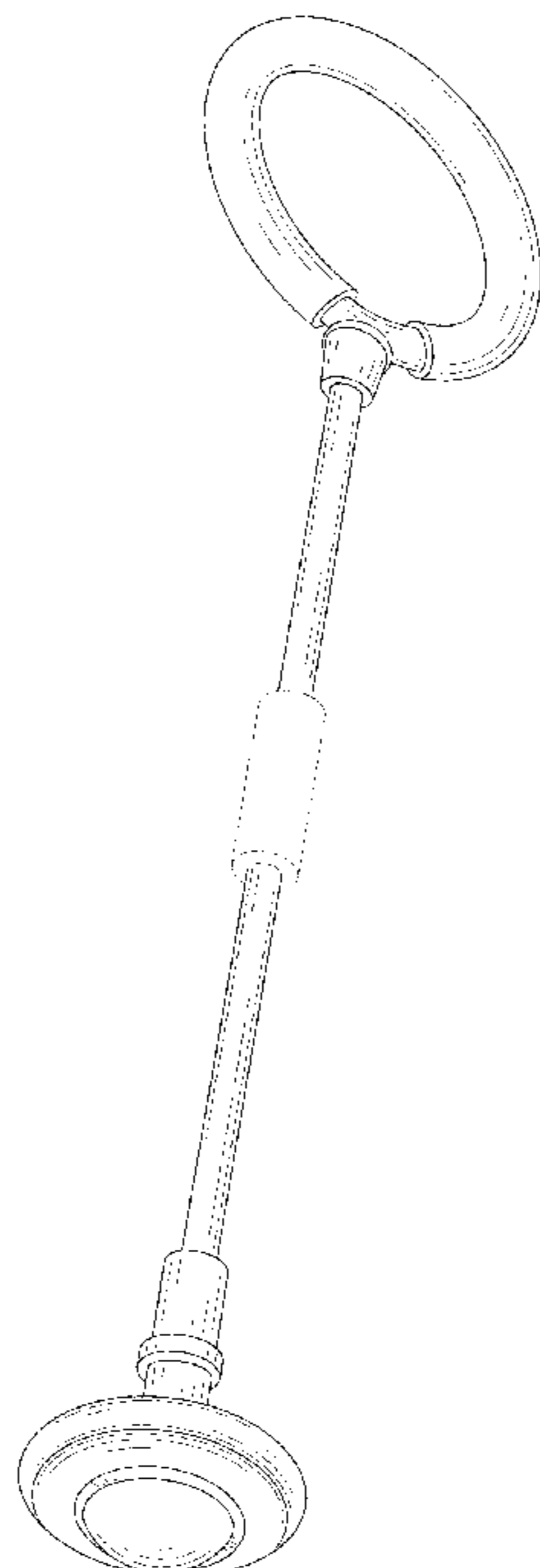
FIG. 5 is a right side elevational view thereof;

FIG. 6 is a top plan view thereof; and,

FIG. 7 is a bottom plan view thereof.

The broken lines in the drawings depict portions of the toy that form no part of the claimed design.

**1 Claim, 7 Drawing Sheets**



(56)

**References Cited**

OTHER PUBLICATIONS

Spiido Ankle Skip Ball for Kids, Date first available Apr. 23, 2020, [online], [site visited Nov. 19, 2021]. Available from Internet: <URL: <https://www.amazon.com/dp/B087M49W8H/>> (Year: 2020).\*

Ipidipi Toys Skip It Ankle Toy, Reviewed and online as early as Jan. 1, 2021, [online], [site visited Nov. 19, 2021]. Available from Internet: <URL: <https://www.amazon.com/dp/B087KJC273/>> (Year: 2021).\*

Cingfanlu Kids Foldable Ankle Skip Ball, Date first available Sep. 2, 2020, [online], [site visited Nov. 19, 2021]. Available from Internet: <URL: <https://www.amazon.com/dp/B095NYRW3C/>> (Year: 2020).\*

Aihan Sports Ankle Skip Ball, Date first available Sep. 15, 2019, [online], [site visited Nov. 19, 2021]. Available from Internet: <URL: <https://www.amazon.com/dp/B07XX2XVQ5/>> (Year: 2019).\*

\* cited by examiner

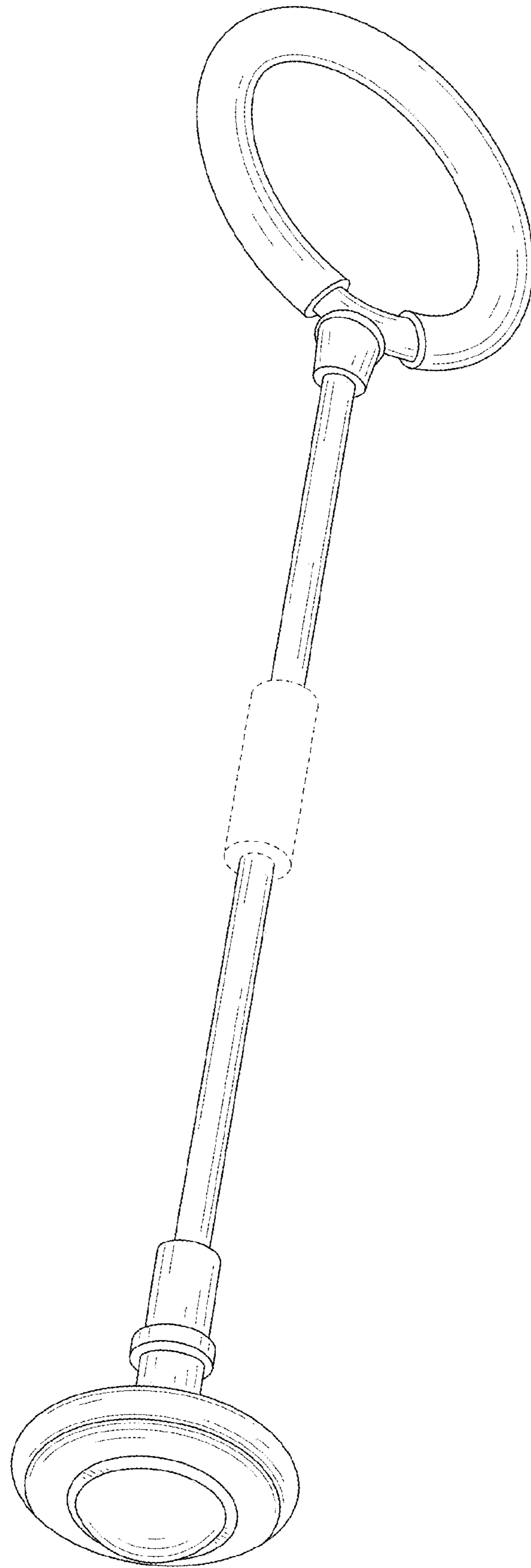


FIG. 1

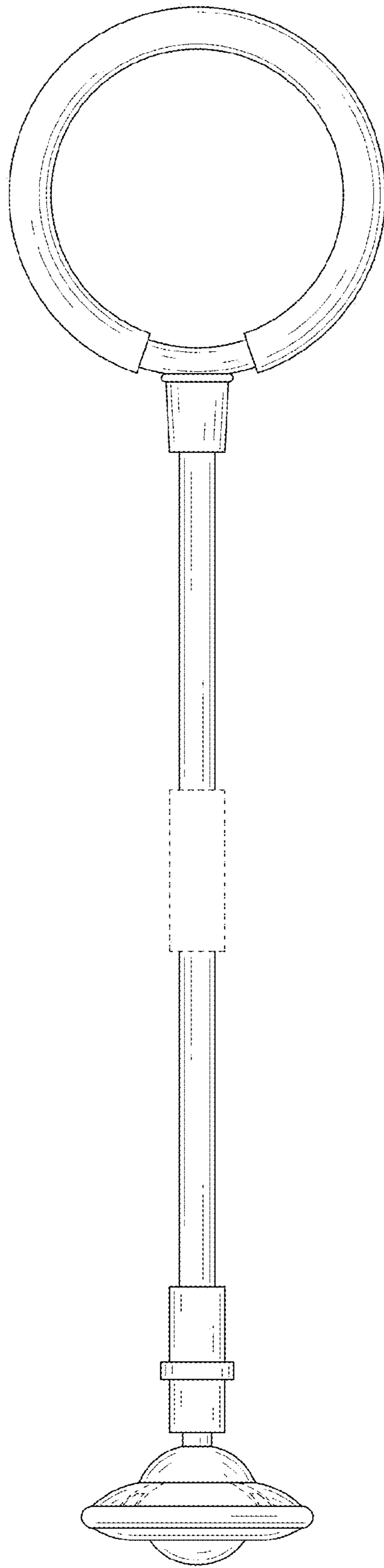


FIG. 2

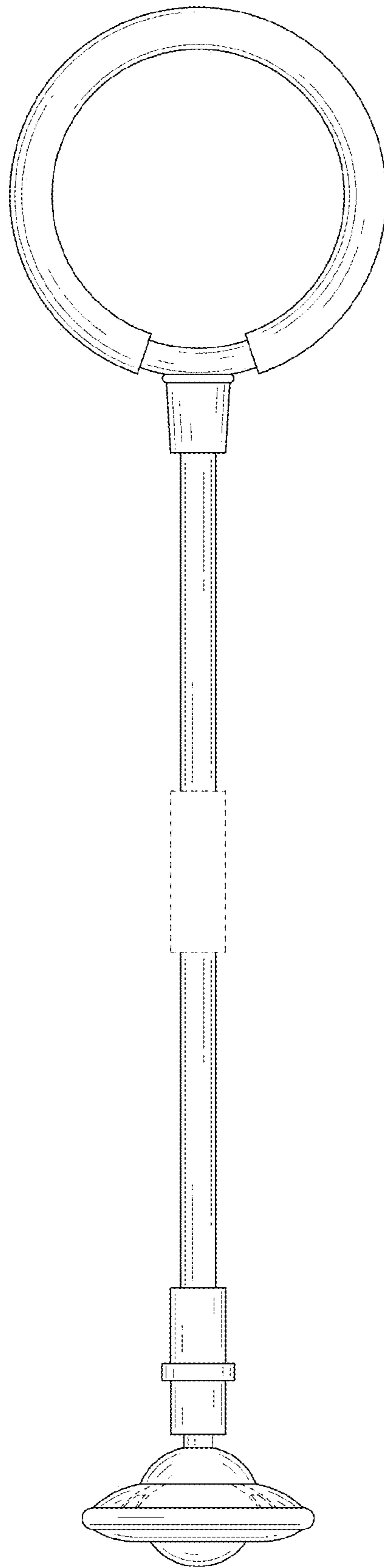


FIG. 3

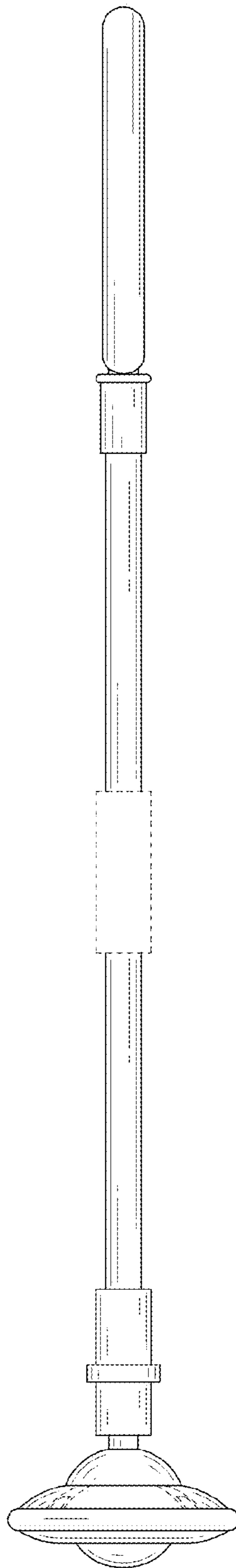


FIG. 4

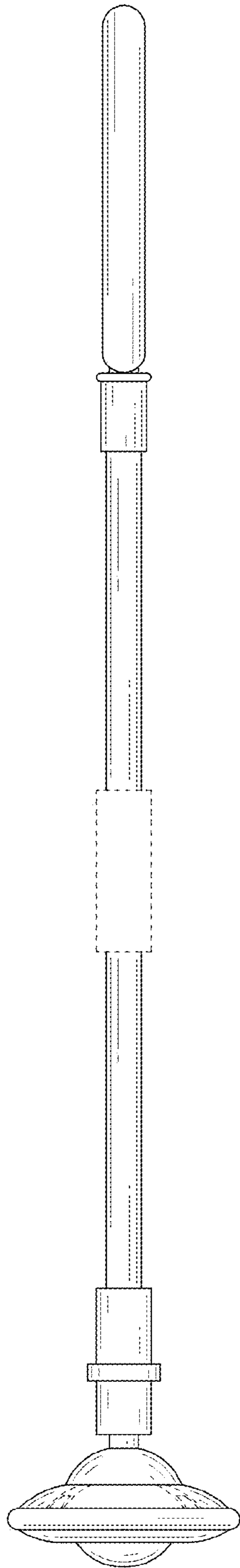


FIG. 5

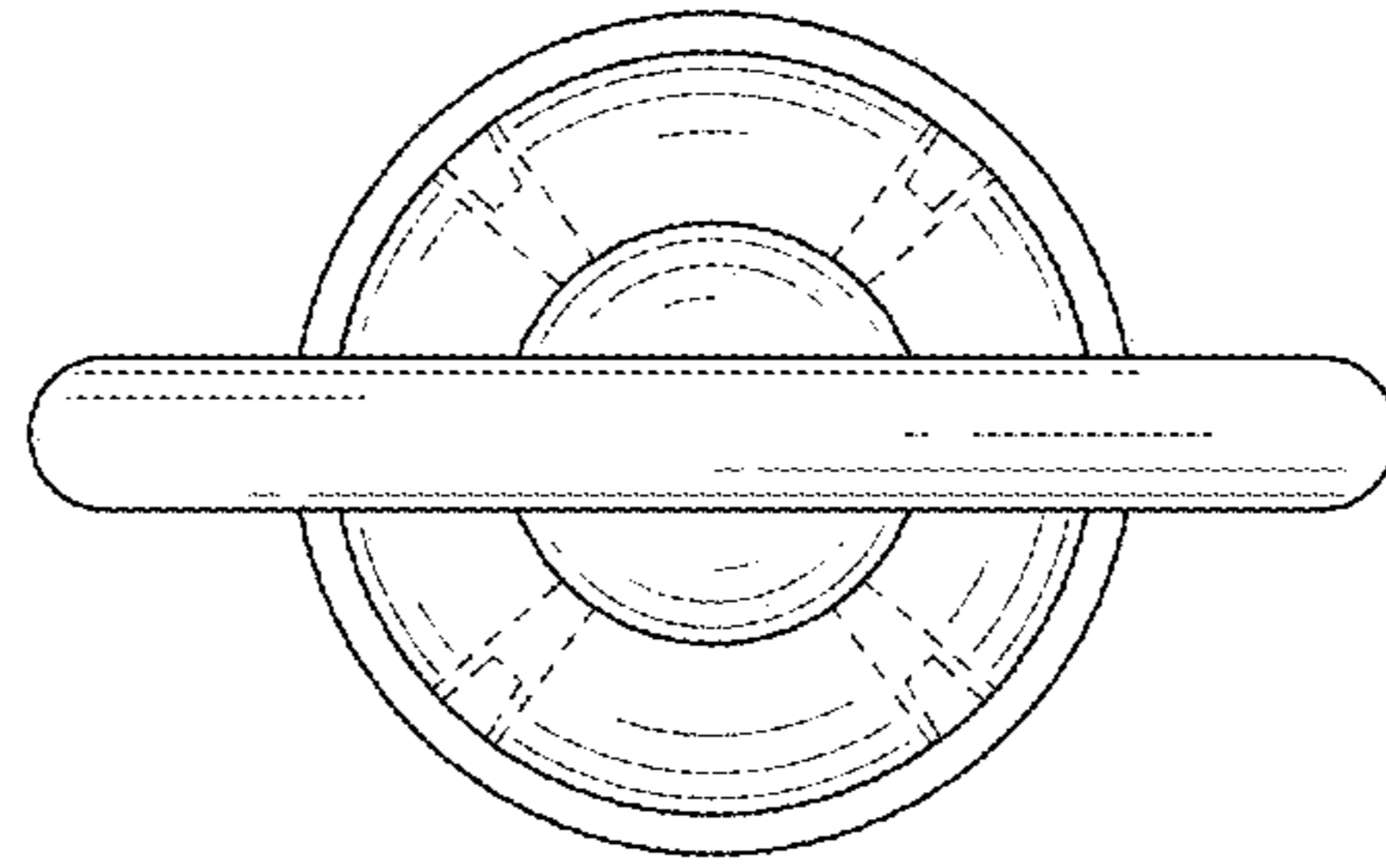


FIG. 6



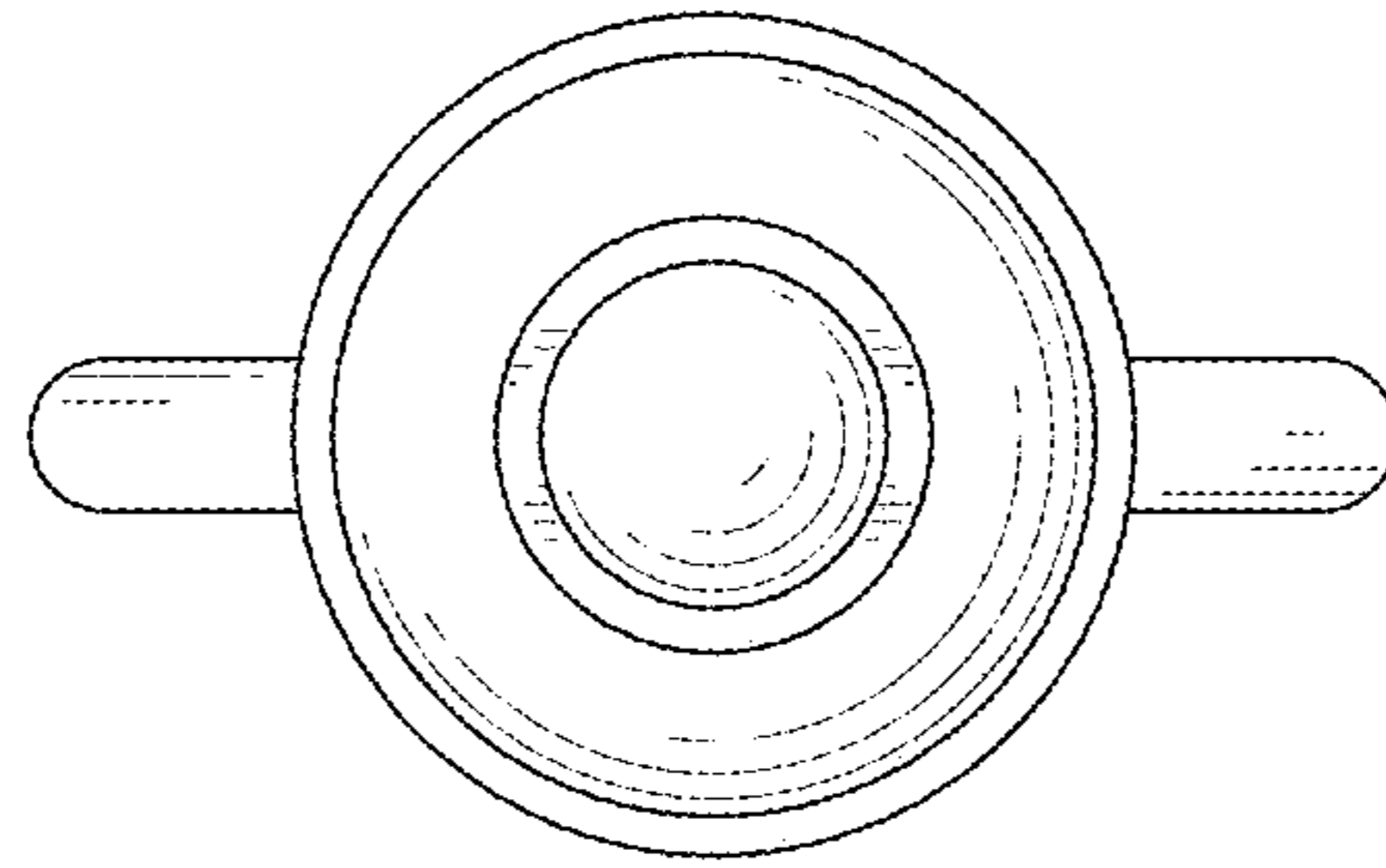


FIG. 7