



US00D949241S

(12) **United States Design Patent** (10) **Patent No.:** **US D949,241 S**
McLachlan et al. (45) **Date of Patent:** **** Apr. 19, 2022**

(54) **GAME DIE**
(71) Applicant: **Antsy Labs, LLC**, Dacono, CO (US)
(72) Inventors: **Matthew McLachlan**, Dacono, CO (US); **Mark McLachlan**, Frederick, CO (US)
(73) Assignee: **Antsy Labs LLC**, Dacono, CO (US)
(**) Term: **15 Years**

D761,230 S * 7/2016 Si D14/214
D763,972 S * 8/2016 Kiribuchi D21/499
D765,189 S * 8/2016 Kiribuchi D21/499
D818,054 S * 5/2018 McLachlan D21/468
D827,725 S * 9/2018 McLachlan D21/468
D827,726 S * 9/2018 McLachlan D21/468
D827,727 S * 9/2018 McLachlan D21/468
D829,828 S * 10/2018 McLachlan D21/468
D857,804 S * 8/2019 McLachlan D21/468
D858,650 S * 9/2019 McLachlan D21/468
D859,537 S * 9/2019 McLachlan D21/468
D866,669 S * 11/2019 Pollack D21/373
2009/0210101 A1* 8/2009 Hawkins A63F 9/04
700/297

(21) Appl. No.: **29/700,370**

(Continued)

(22) Filed: **Aug. 1, 2019**

Primary Examiner — Ryan Harvey

(51) **LOC (13) Cl.** **21-01**

(74) *Attorney, Agent, or Firm* — Polsinelli PC

(52) **U.S. Cl.**
USPC **D21/373**

(57) **CLAIM**

(58) **Field of Classification Search**
USPC D21/498, 468, 373, 372, 371, 361;
273/445, 274, 146, 145 C, 145 A, 144 B,
273/108; 463/48; D9/761, 760, 607;
428/13; D7/557, 556, 555
CPC A63F 9/04; A63F 3/00157; A63F 9/0413;
A63F 9/0415; A63F 9/0406; A63F
9/0402; A63F 2009/0484; A63F
2009/0437; A63F 2009/0422; A63F
2009/0431; A63F 2009/0435; A63F
2009/0446; A63F 2009/0473; A63F
2009/0486; A63F 2009/0426; A63F
2009/0471; A63F 2009/044

The ornamental design for a game die, as shown and described.

DESCRIPTION

See application file for complete search history.

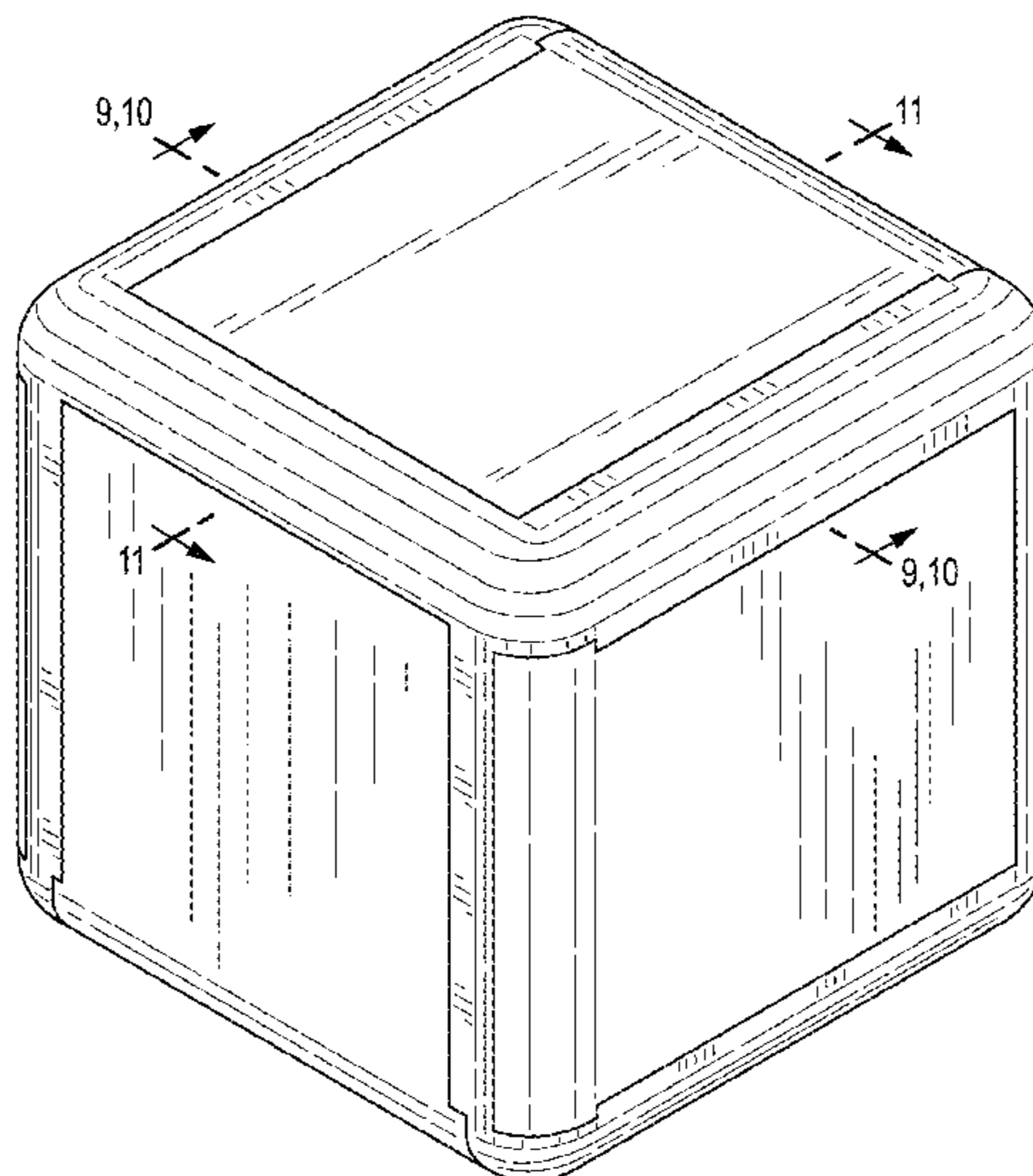
FIG. 1 is an isometric view of a game die showing our new design.
FIG. 2 is a front view thereof.
FIG. 3 is a back view thereof.
FIG. 4 is a right view thereof.
FIG. 5 is a left view thereof.
FIG. 6 is a top view thereof.
FIG. 7 is a bottom view thereof.
FIG. 8 is a cross-sectional view thereof, taken along the lines indicated by the label 8 in FIG. 2.
FIG. 9 is a cross-sectional view thereof, taken along the lines indicated by the label 9 in FIG. 1.
FIG. 10 is a cross-sectional view thereof, taken along the lines indicated by the label 10 in FIG. 1; and,
FIG. 11 is a cross-sectional view thereof, taken along the lines indicated by the label 11 in FIG. 1.

(56) **References Cited**

U.S. PATENT DOCUMENTS

3,940,142 A * 2/1976 Hinz A63F 9/0413
273/146
D453,196 S * 1/2002 Bouchet D21/373
D579,057 S * 10/2008 Arms D21/373
7,549,638 B2 * 6/2009 Norman A63F 9/0415
273/146
D608,840 S * 1/2010 Crutchfield D21/373

1 Claim, 11 Drawing Sheets



(56)

References Cited

U.S. PATENT DOCUMENTS

2015/0014923 A1* 1/2015 Muse A63F 9/0415
273/146
2016/0136515 A1* 5/2016 MacIntyre A63F 9/04
273/146
2018/0193998 A1* 7/2018 Shin B25J 3/00
2018/0333638 A1* 11/2018 Read A63F 9/0468
2020/0360799 A1* 11/2020 McLachlan A63F 9/1208

* cited by examiner

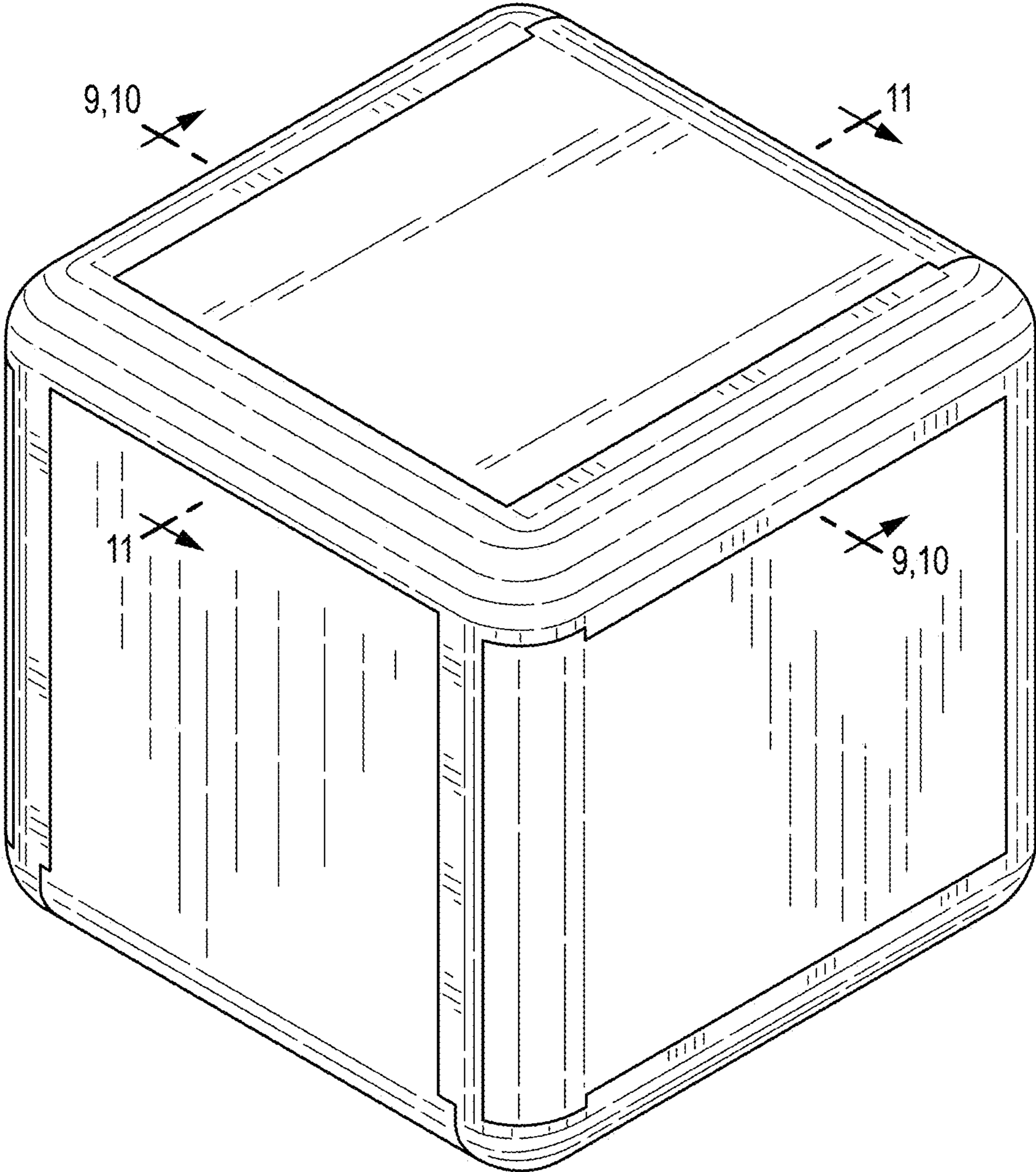


FIG.1

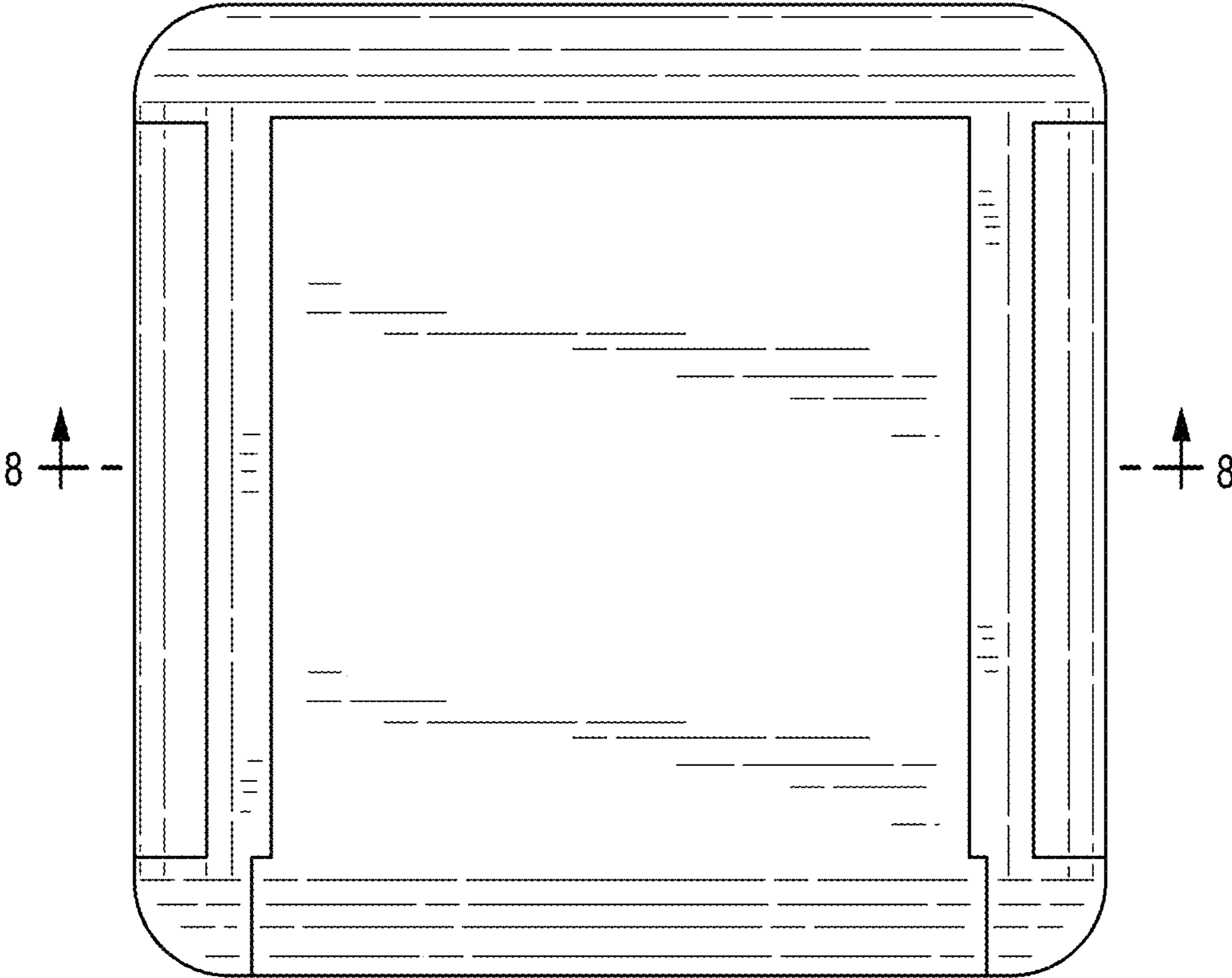


FIG.2

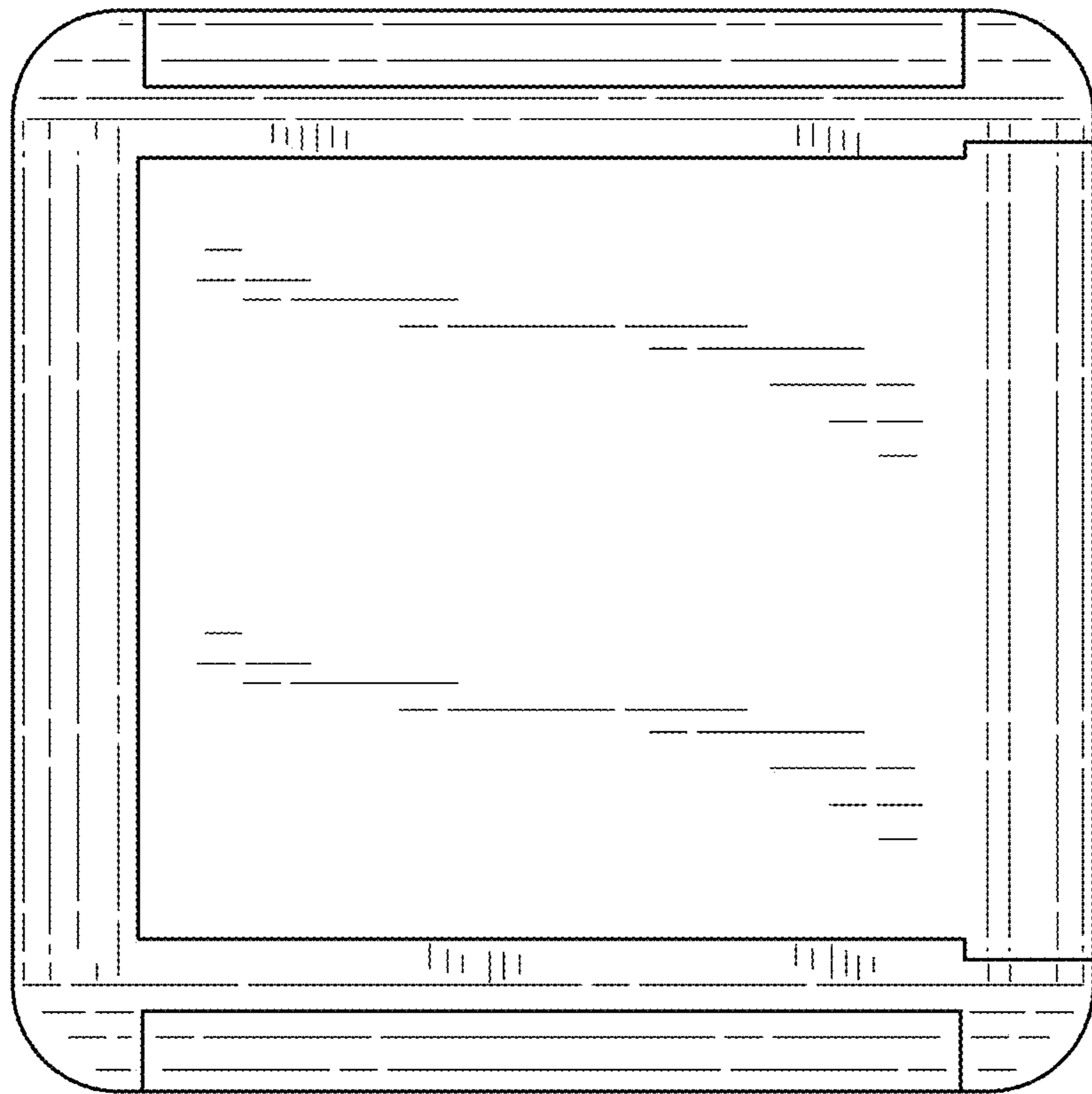


FIG.3

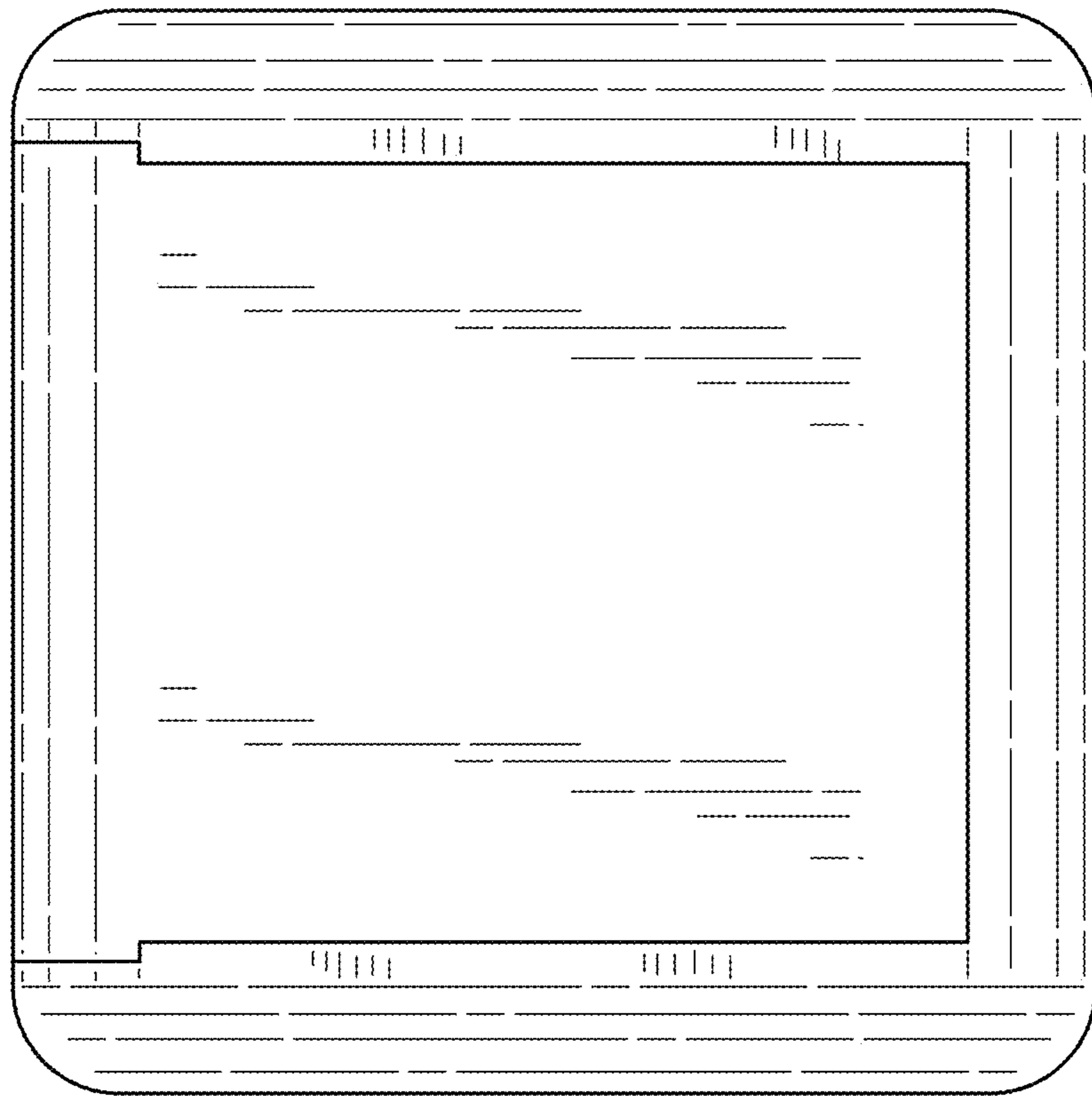


FIG.4

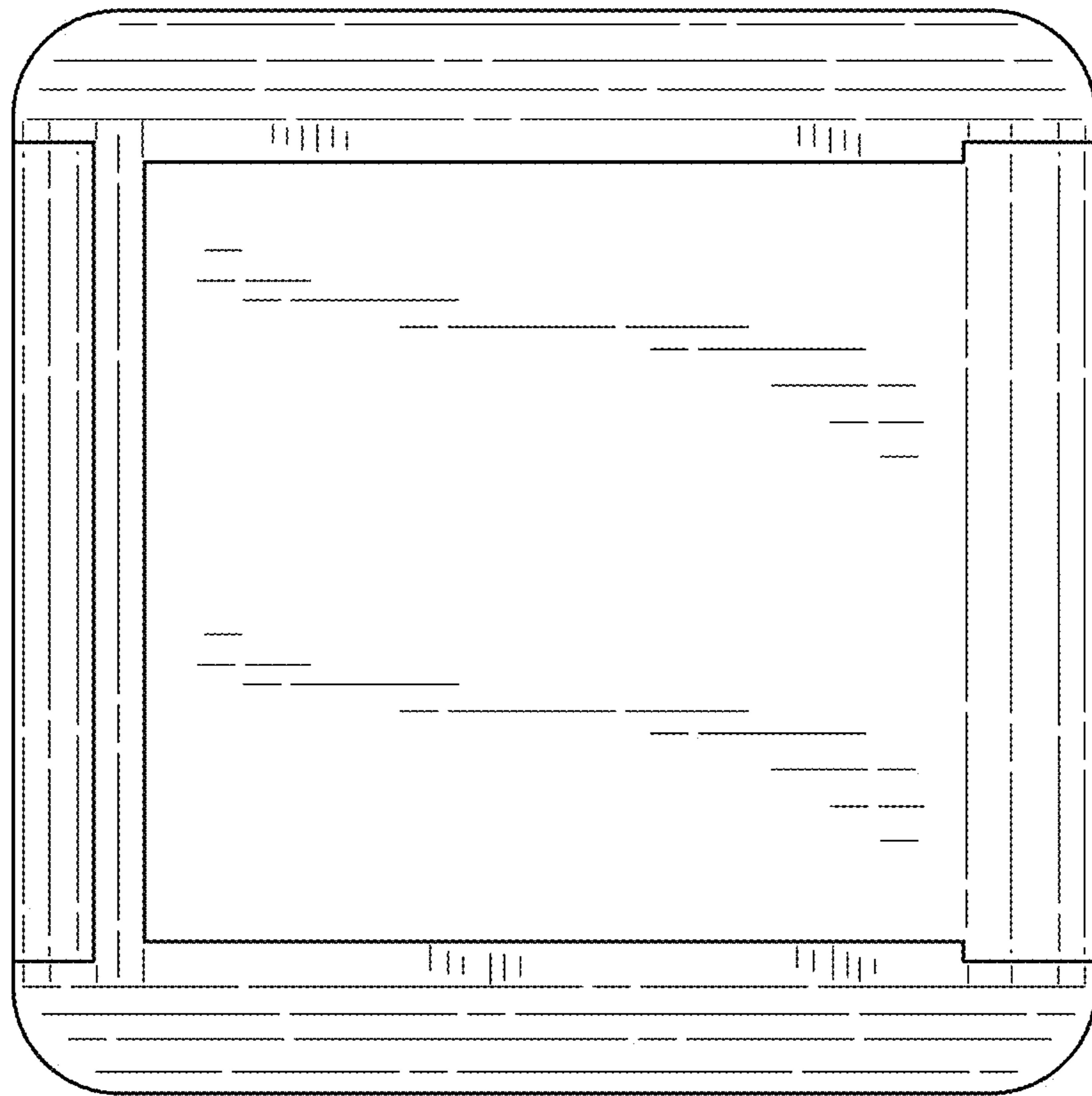


FIG.5

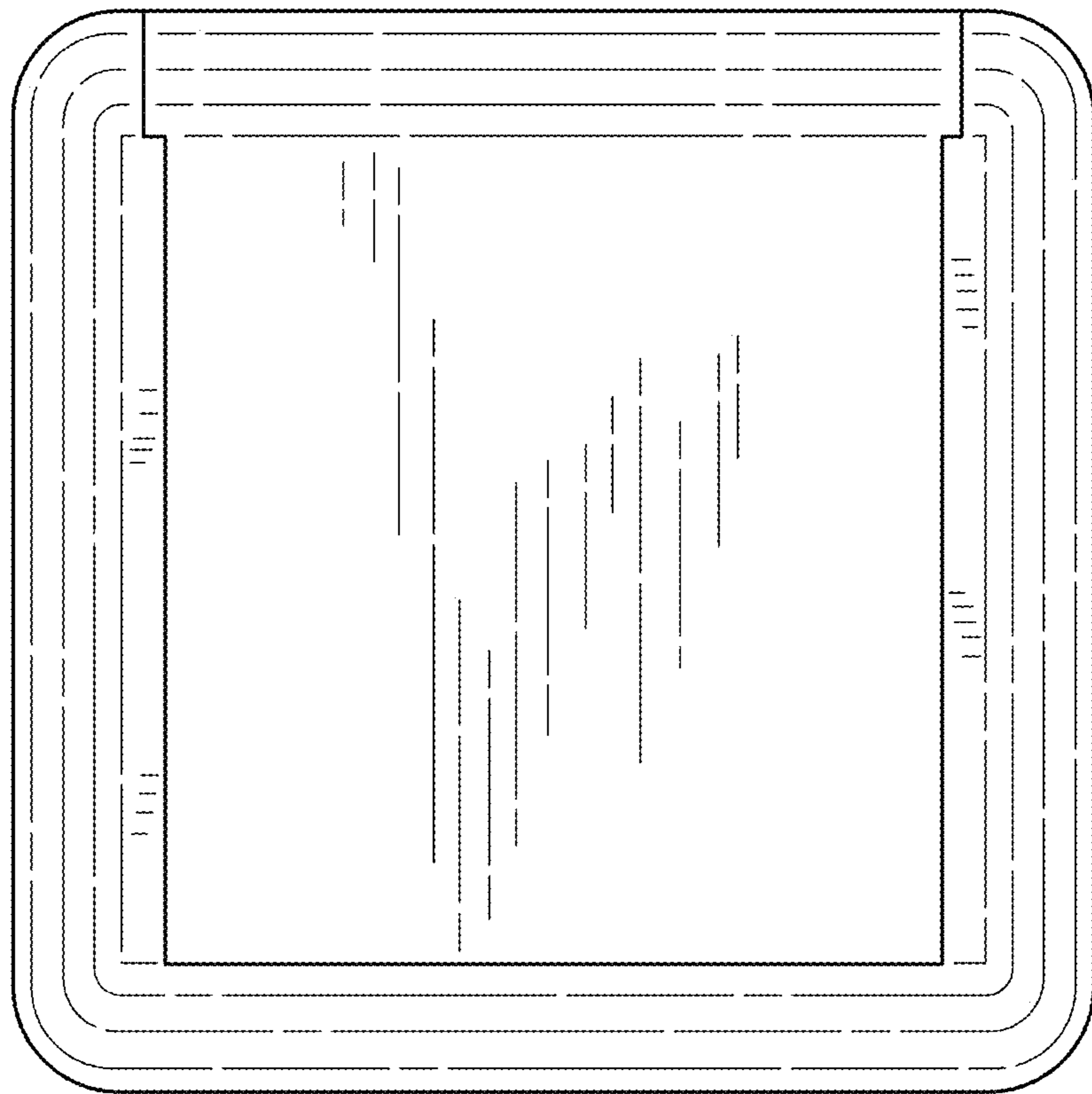


FIG. 6

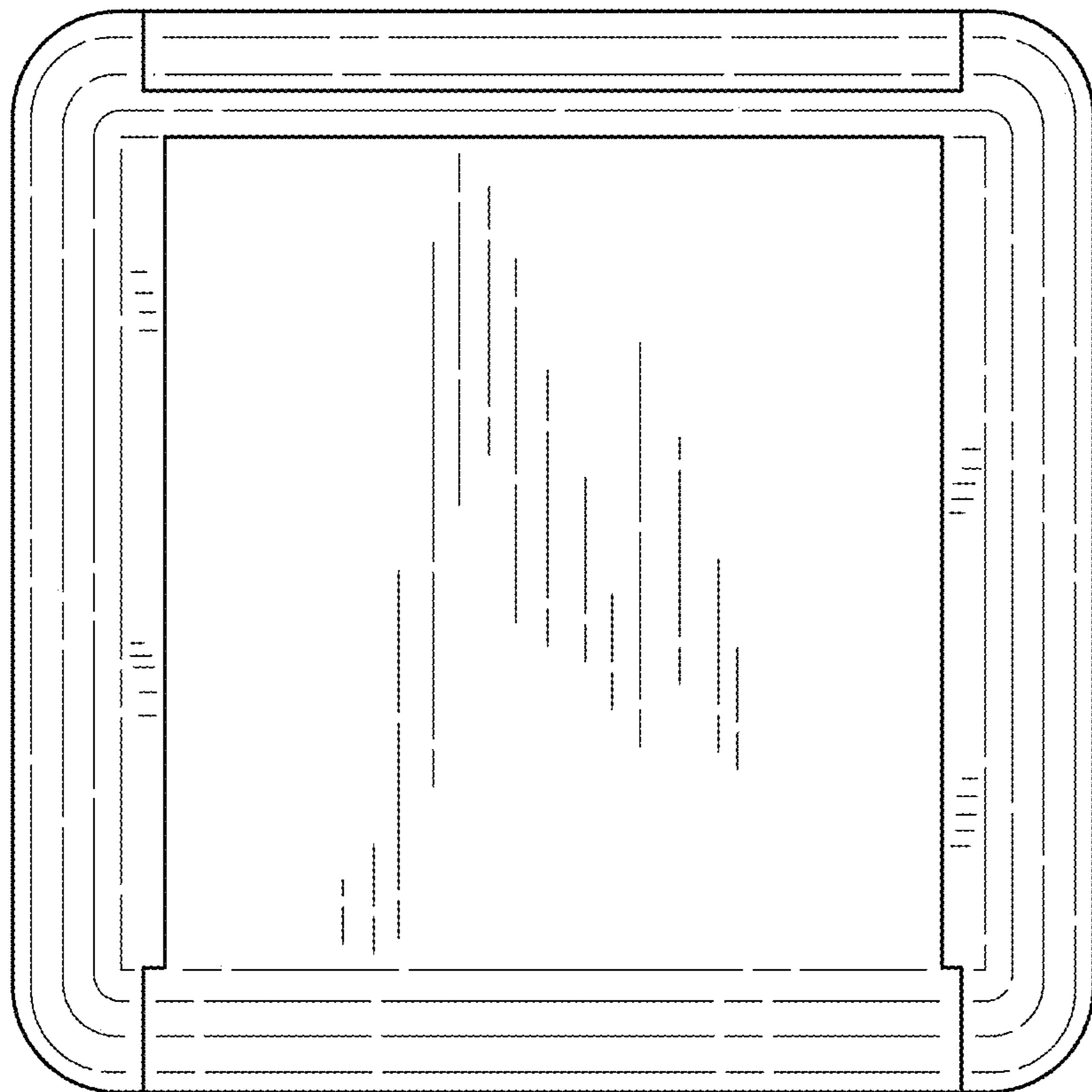


FIG. 7

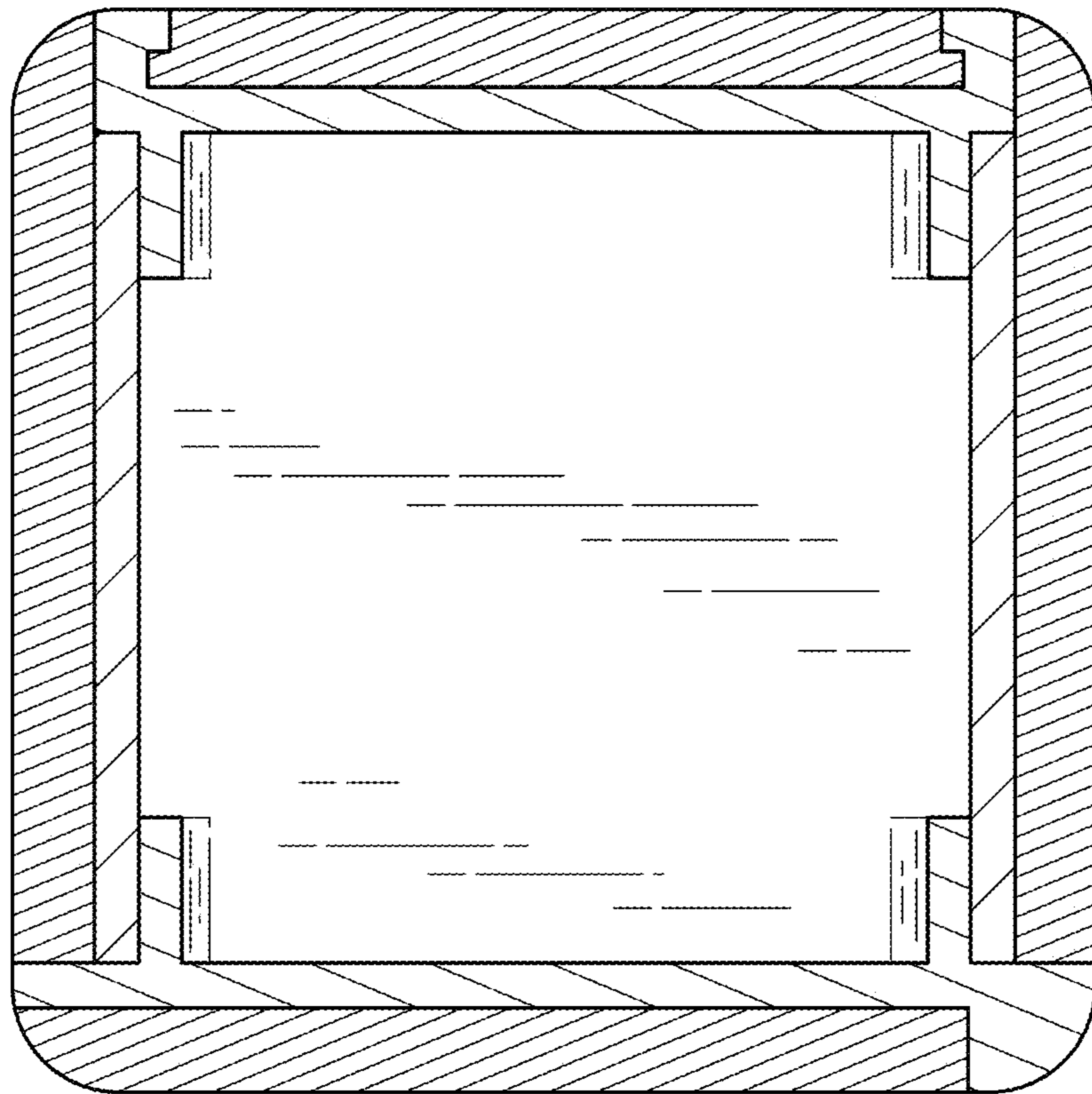


FIG.8

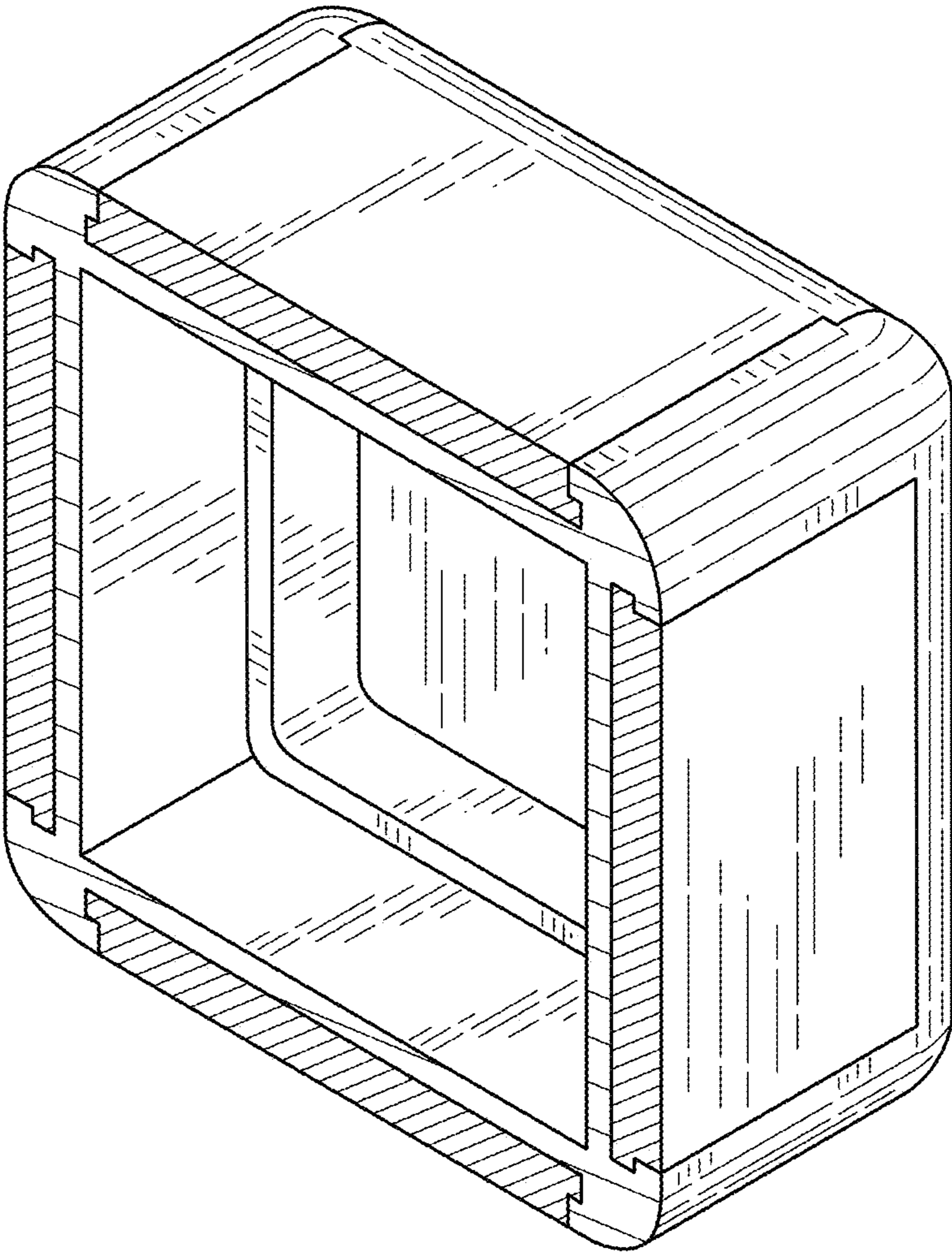


FIG.9

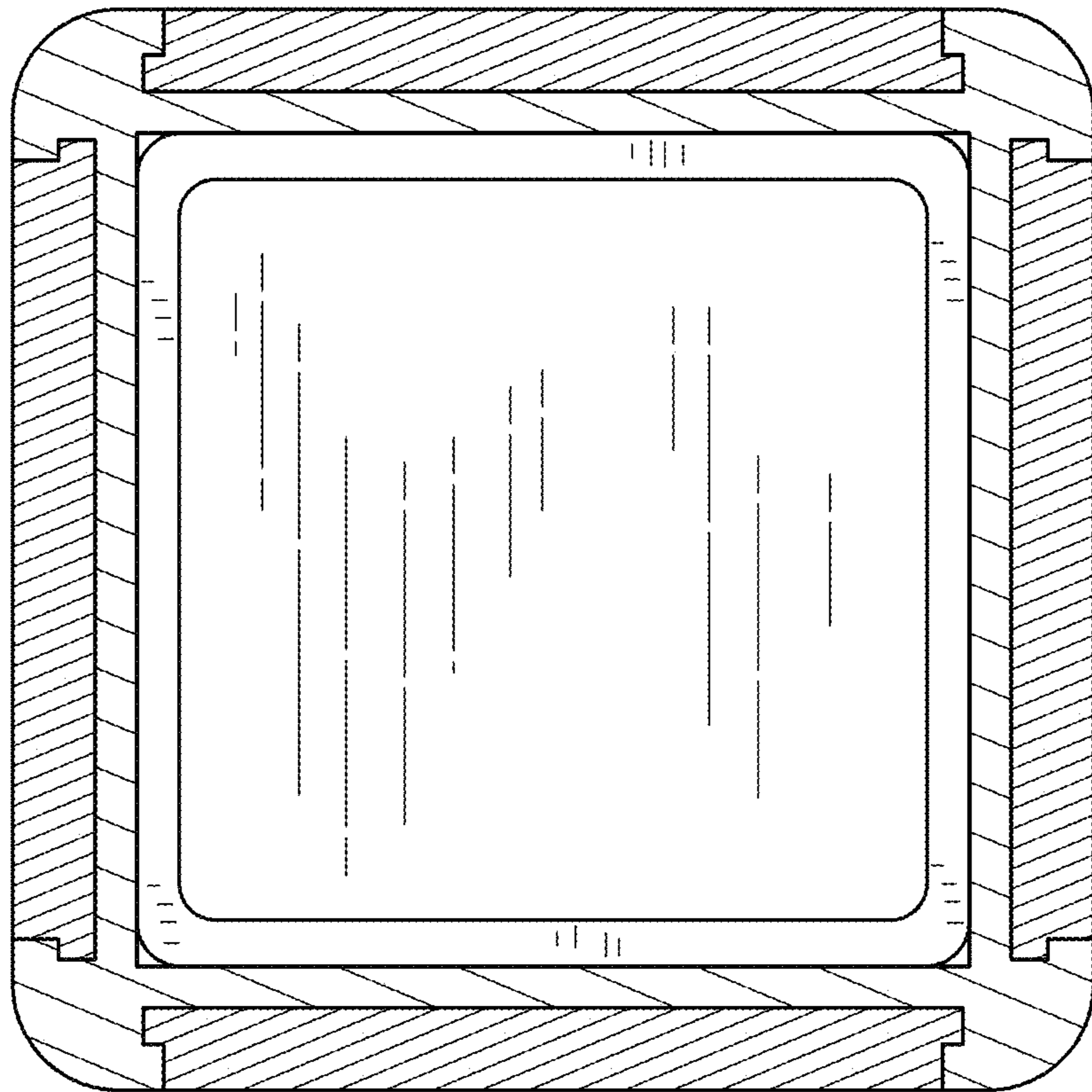


FIG.10

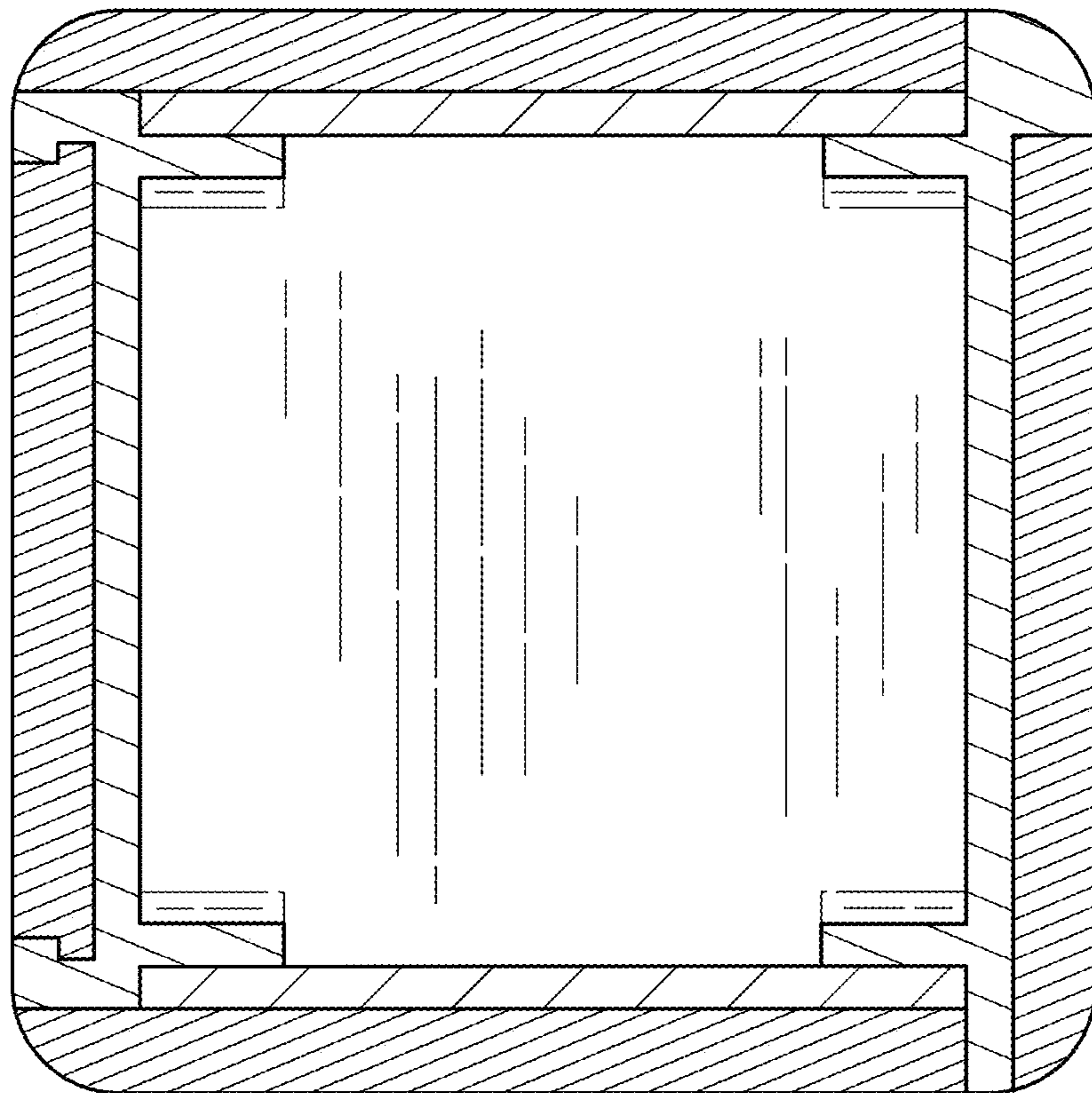


FIG.11