

US00D949239S

(12) **United States Design Patent** (10) **Patent No.:** **US D949,239 S**
Bauen (45) **Date of Patent:** **** Apr. 19, 2022**

(54) **WRITING INSTRUMENT**

(71) Applicant: **Daniel Bauen**, Stone Mountain, GA (US)

(72) Inventor: **Daniel Bauen**, Stone Mountain, GA (US)

(73) Assignee: **Engineerable LLC**, Stone Mountain, GA (US)

(**) Term: **15 Years**

(21) Appl. No.: **29/727,330**

(22) Filed: **Mar. 10, 2020**

(51) **LOC (13) Cl.** **19-06**

(52) **U.S. Cl.**
USPC **D19/170**

(58) **Field of Classification Search**
USPC D19/115-204; D14/411
CPC . B43K 5/005; B43K 7/12; B43K 8/00; B43K 8/02; B43K 8/04; B43K 8/06; B43K 21/003; B43K 21/006; B43K 21/06
See application file for complete search history.

(56) **References Cited**

U.S. PATENT DOCUMENTS

- 554,189 A * 2/1896 Kochendarfer B43K 1/086 401/214
- 1,244,974 A * 10/1917 Gerdom B43K 1/08 401/216
- 2,456,904 A * 12/1948 Wahlstrom B41K 1/006 101/333
- 2,747,287 A * 5/1956 Petion G01B 3/12 33/776
- D316,726 S * 5/1991 Itoh D19/170
- D321,720 S * 11/1991 Sakurada D19/170

- D358,167 S * 5/1995 Herbst D19/168
- D403,706 S * 1/1999 Fukami D19/170
- D409,241 S * 5/1999 Melnick D19/164
- D412,342 S * 7/1999 Shimizu D19/170
- D458,965 S * 6/2002 Oka D19/168
- D552,176 S * 10/2007 Schnug D19/170
- D562,391 S * 2/2008 Gerules D19/174
- D667,052 S * 9/2012 Bolton D19/184
- D669,127 S * 10/2012 Chen D19/169
- D682,936 S * 5/2013 Larson D19/169
- D682,938 S * 5/2013 Larson D19/196
- D685,846 S * 7/2013 Jiang D19/163
- D729,874 S * 5/2015 Larson D19/169
- D806,310 S * 12/2017 McGarry D27/101
- D825,662 S * 8/2018 Van Den Broecke D19/169
- D829,820 S * 10/2018 Bohrer D19/163
- D867,453 S * 11/2019 Xie D19/164
- D925,527 S * 7/2021 Bae D14/371
- 11,077,702 B2 * 8/2021 Cauwels B43K 24/084
- 2020/0223246 A1 * 7/2020 Cauwels B43K 7/005
- 2021/0053383 A1 * 2/2021 Huwang B43K 1/082
- 2021/0331514 A1 * 10/2021 Cauwels B43K 24/088

* cited by examiner

Primary Examiner — Elizabeth A. Albert

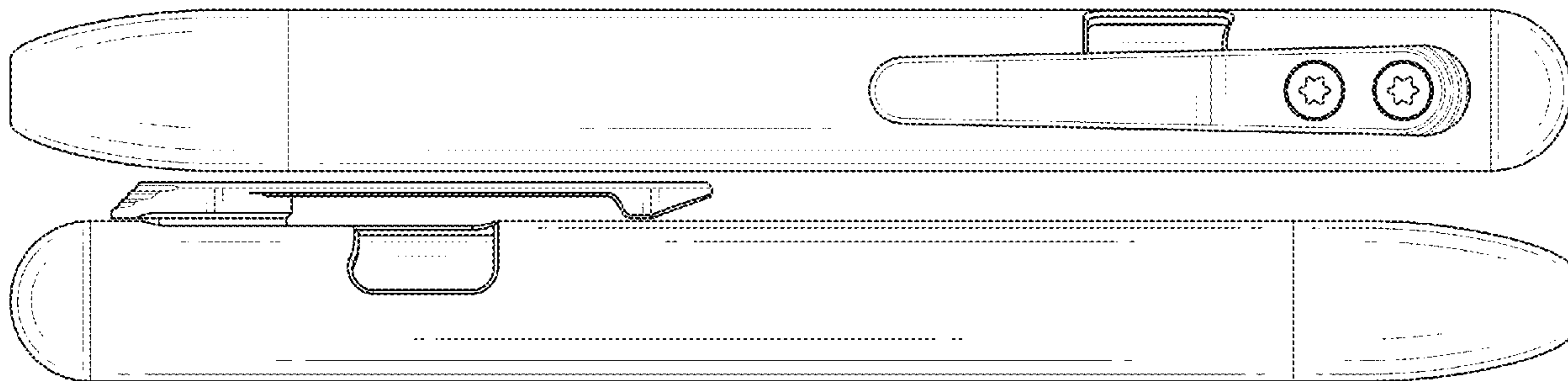
(57) **CLAIM**

The ornamental design for a writing instrument, as shown and described.

DESCRIPTION

FIG. 1 is a left side perspective view of a writing instrument showing my new design;
FIG. 2 is a front devotional view thereof;
FIG. 3 is a rear elevational view thereof;
FIG. 4 is a right side elevations view thereof;
FIG. 5 is a left side elevational view thereof;
FIG. 6 is a bottom view thereof; and,
FIG. 7 is a top view thereof.

1 Claim, 6 Drawing Sheets



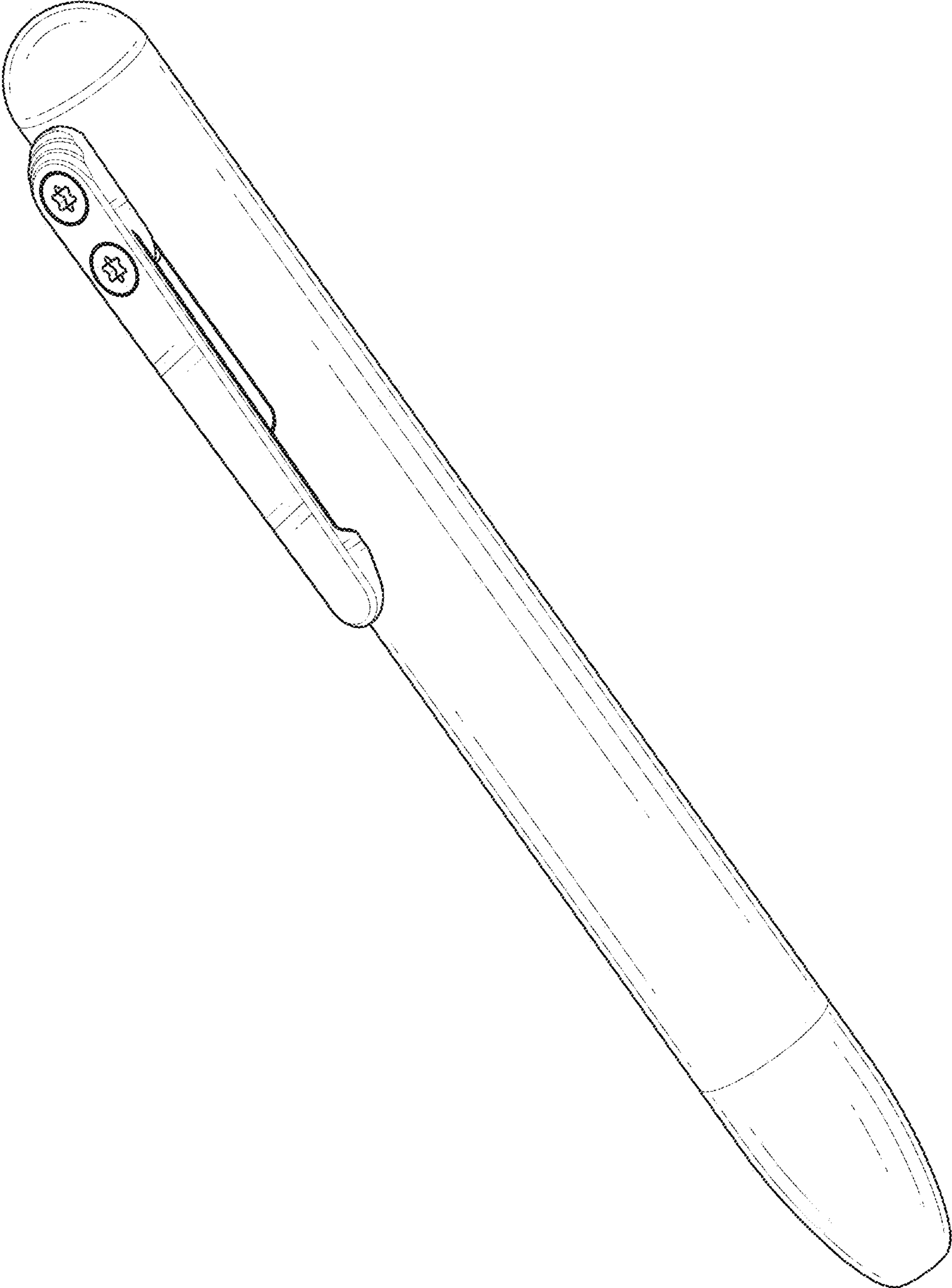


FIG. 1

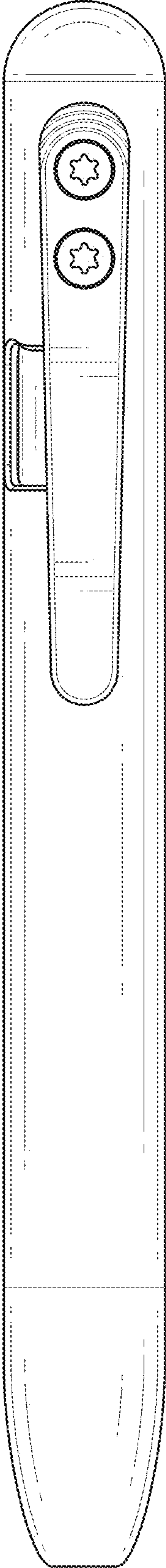


FIG. 2

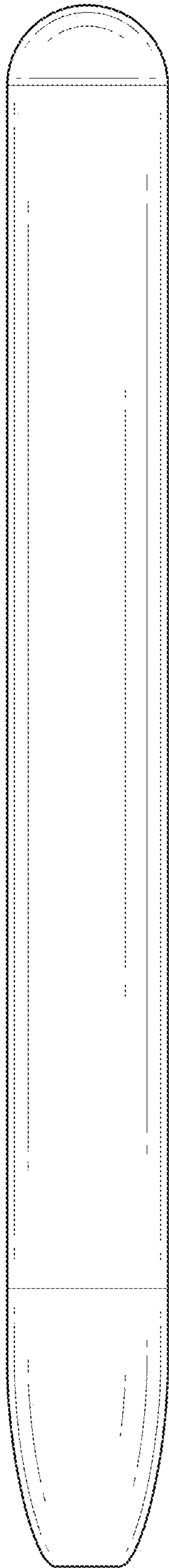


FIG. 3

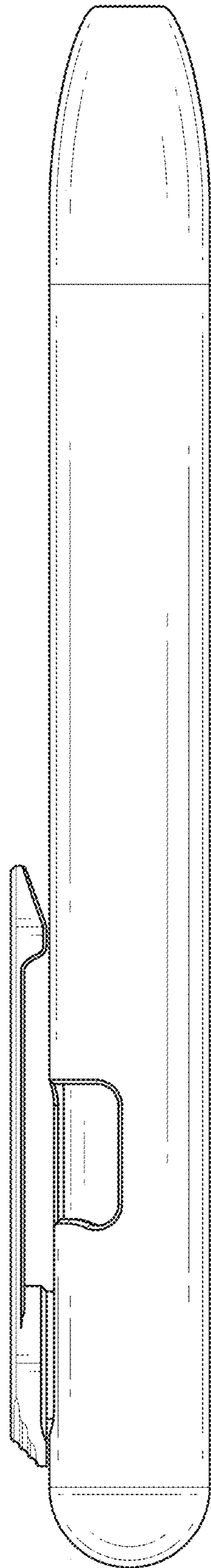


FIG. 4

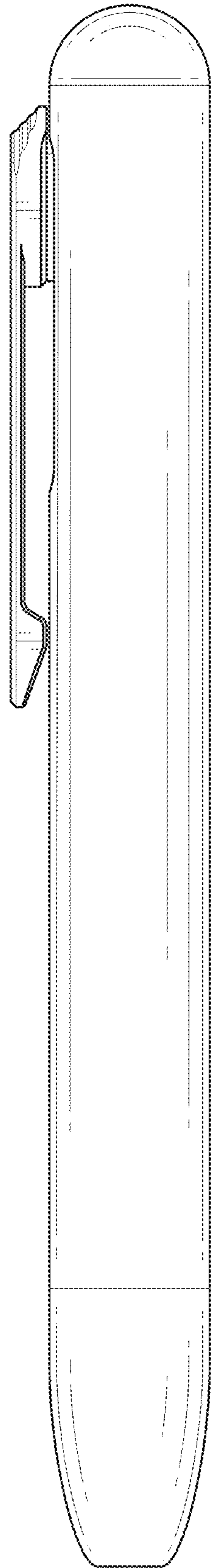


FIG. 5

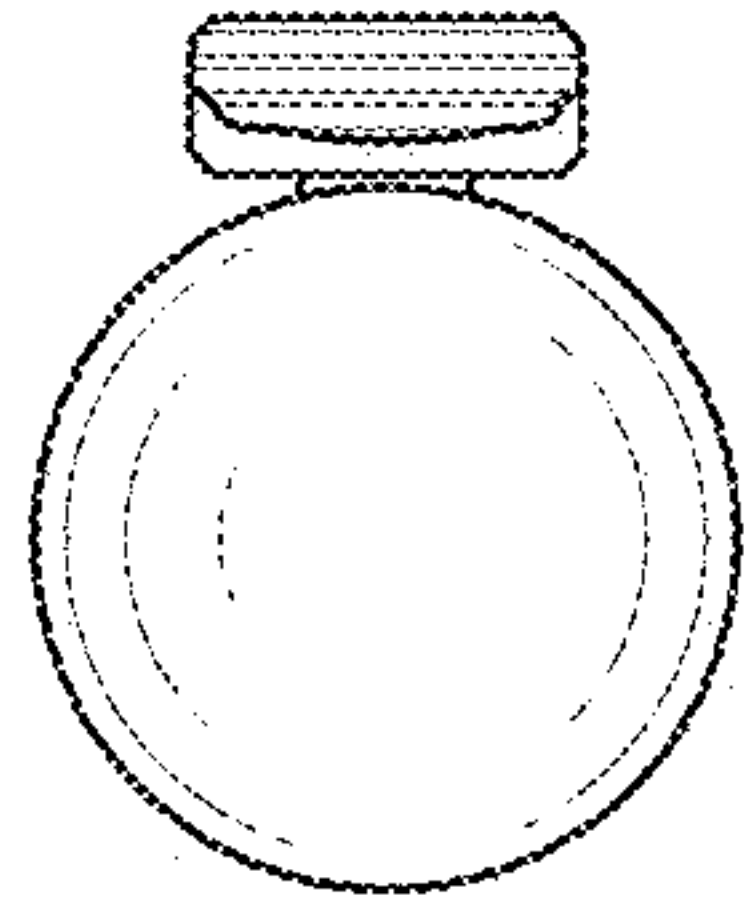


FIG. 6

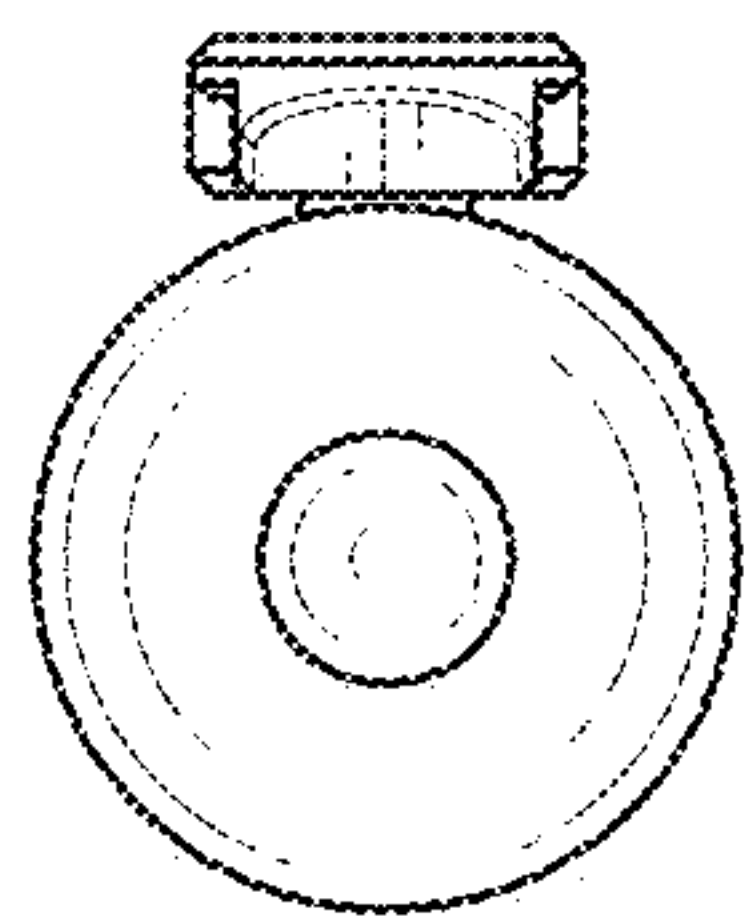


FIG. 7