

US00D949237S

(12) **United States Design Patent** (10) **Patent No.:** **US D949,237 S**
Arslan et al. (45) **Date of Patent:** **** Apr. 19, 2022**

(54) **PRINTER HOUSING**

FOREIGN PATENT DOCUMENTS

(71) Applicant: **Videojet Technologies Inc.**, Wood Dale, IL (US)

CA 2991133 A1 * 12/2016 B41J 29/02
CN 3665866 * 7/2007
GB 6001529 * 10/2016

(72) Inventors: **Ben Tuncay Arslan**, Cambridge (GB);
Salhadin Omer, Cambridge (GB)

OTHER PUBLICATIONS

(73) Assignee: **VIDEOJET TECHNOLOGIES INC.**, Wood Dale, IL (US)

GE. Link: <https://www.ge.com/news/reports/3d-printed-age-futuristic-ohio-factory-proving-mark-twain-wrong>. Nov. 30, 2018. The 3D-Printed Age: Why This Futuristic Ohio Factory Is Proving Mark Twain Wrong. (Year: 2018).*

(**) Term: **15 Years**

(Continued)

(21) Appl. No.: **29/678,602**

Primary Examiner — Lauren D McVey

(22) Filed: **Jan. 30, 2019**

(74) *Attorney, Agent, or Firm* — Wolter Van Dyke Davis, PLLC; Robert L. Wolter

(30) **Foreign Application Priority Data**

Jul. 31, 2018 (GB) 6040292

(51) **LOC (13) Cl.** **14-02**

(57) **CLAIM**

(52) **U.S. Cl.**
USPC **D18/50**

The ornamental design of a printer housing, as shown and described.

(58) **Field of Classification Search**

USPC D18/50, 53, 54, 56, 55, 57, 59, 36, 37,
D18/38, 39, 40, 41, 45; D15/122;
D14/301, 307, 121

DESCRIPTION

CPC H04N 1/00204; H04N 1/00249; G06K
15/12; G06K 15/14; B41J 3/00; B41J
3/28; B41J 3/445; B41J 3/46
See application file for complete search history.

FIG. 1 is a top plan view of a printer housing showing our new design;
FIG. 2 is a bottom plan view thereof;
FIG. 3 is a front elevation view thereof;
FIG. 4 is a rear elevation view thereof;
FIG. 5 is a right side elevation view thereof;
FIG. 6 is a left side elevation view thereof;
FIG. 7 is a top rear perspective view thereof;
FIG. 8 is a top front perspective view thereof;
FIG. 9 is a bottom front perspective view thereof; and,
FIG. 10 is a bottom rear perspective view thereof.

(56) **References Cited**

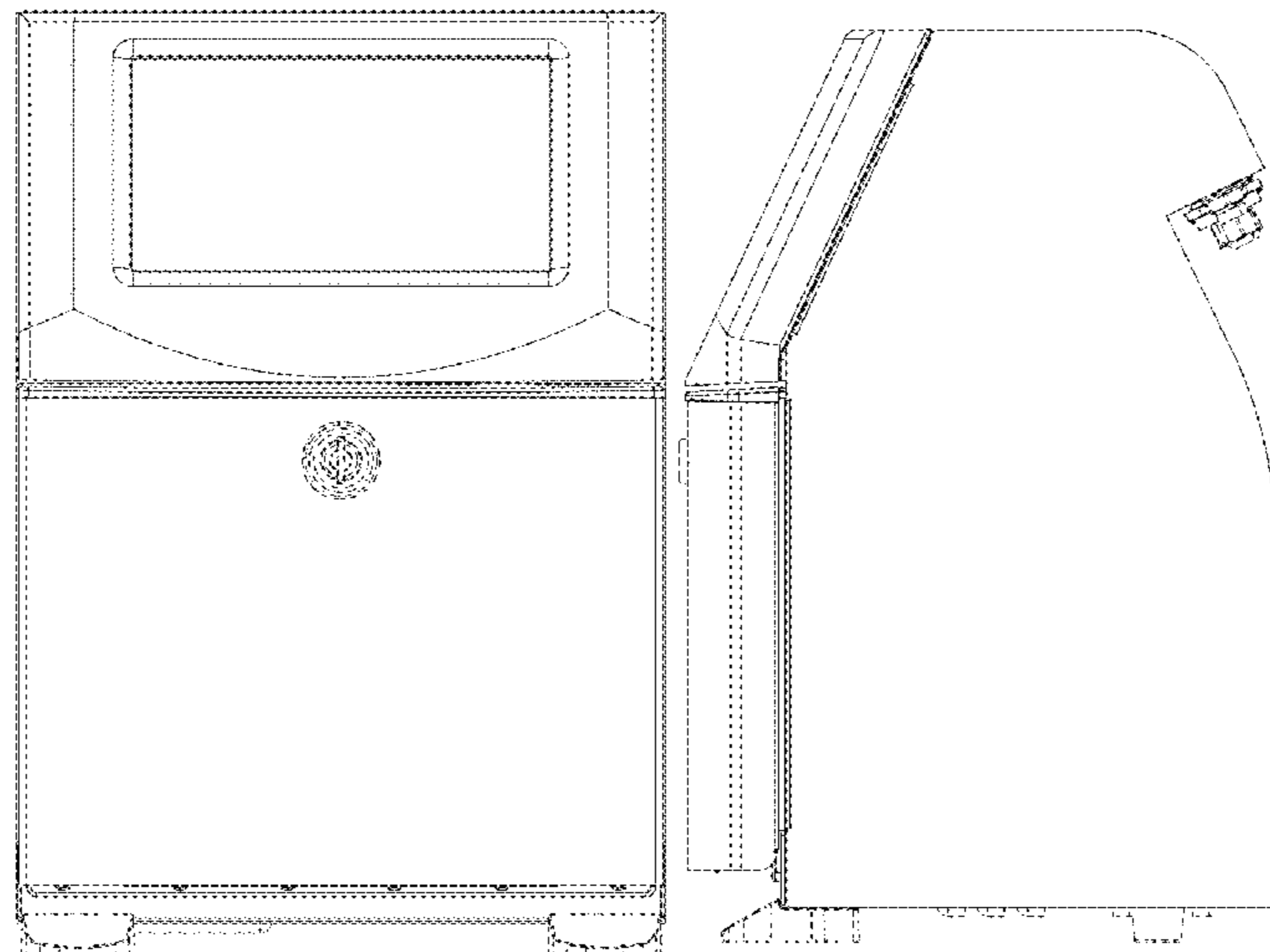
U.S. PATENT DOCUMENTS

D233,061 S * 10/1974 Black et al. D20/2
D617,830 S 6/2010 Lecheheb et al.
D750,163 S * 2/2016 Arima D18/50
D788,098 S * 5/2017 Thornton D14/307
D806,163 S * 12/2017 Smith D18/53
D806,698 S * 1/2018 Thompson D14/307
D816,077 S * 4/2018 Benic D14/307
D818,530 S * 5/2018 Yeruva D18/50
D836,625 S * 12/2018 Szeredi D14/307

The broken lines immediately adjacent to the shaded areas depict the bounds of the claimed design, while all other broken lines are directed to environment. The broken lines form no part of the claimed design.

(Continued)

1 Claim, 10 Drawing Sheets



(56)

References Cited

U.S. PATENT DOCUMENTS

D854,591 S	*	7/2019	Gupta	D15/122
D888,705 S	*	6/2020	Saito	D14/307
D905,134 S	*	12/2020	Chen	D15/122
D912,655 S	*	3/2021	Ahn	D14/307
D916,156 S	*	4/2021	Singh	D15/145

OTHER PUBLICATIONS

YouTube. <https://www.youtube.com/watch?v=mNY53G958WY>. Feb. 22, 2021. The Videojet 1880 CIJ printer. (Year: 2021).*

* cited by examiner

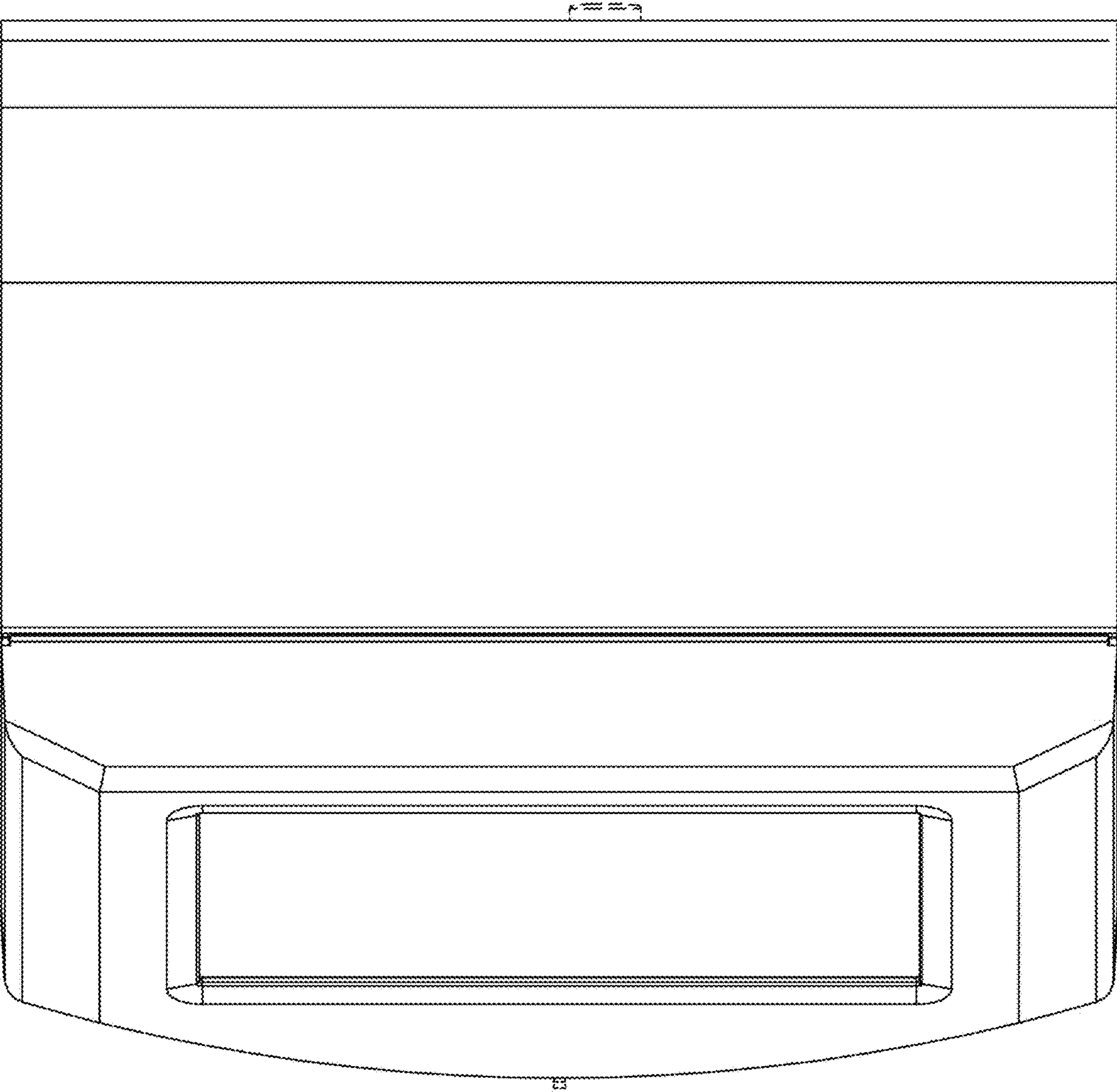


FIG. 1

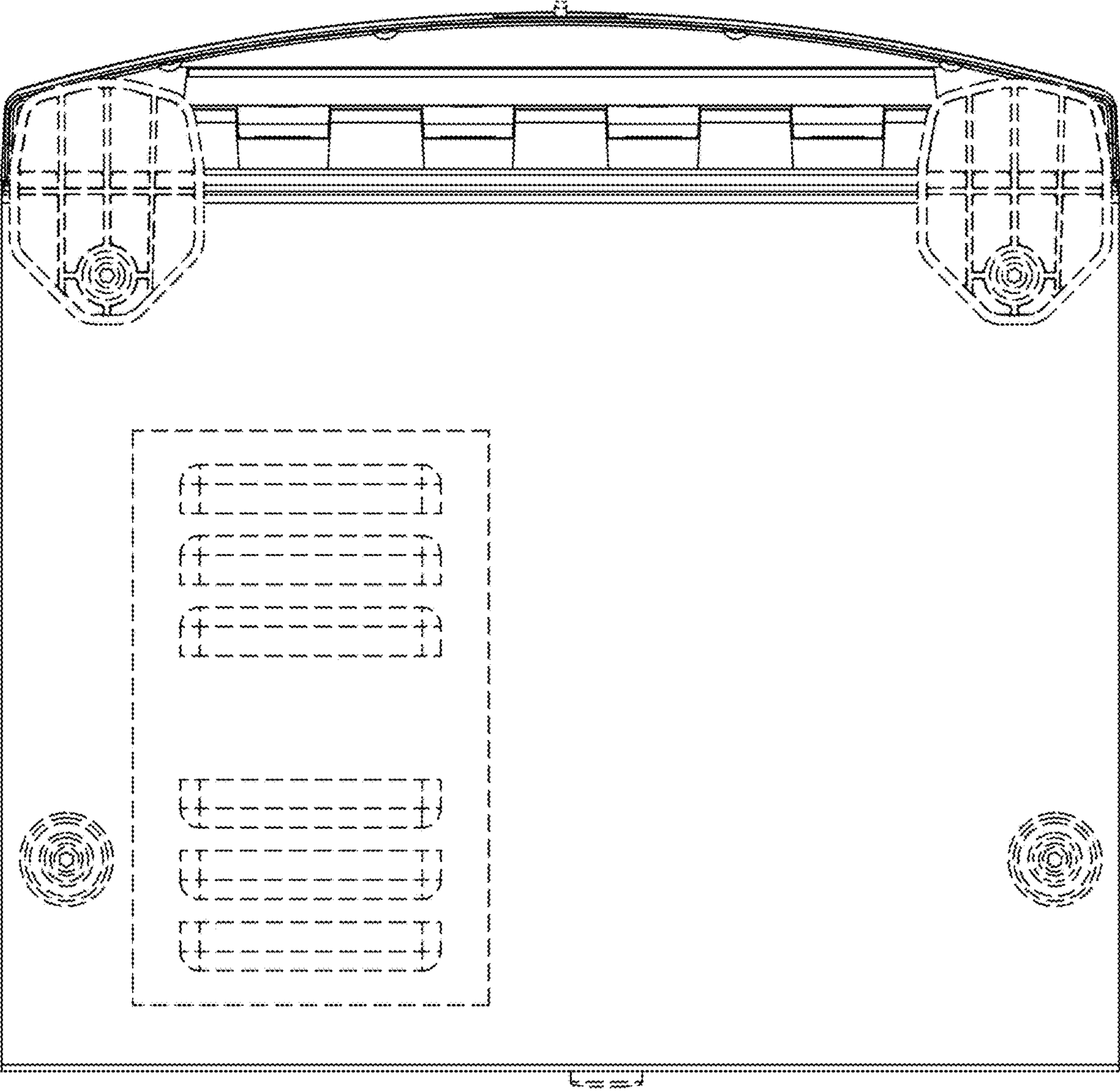


FIG. 2

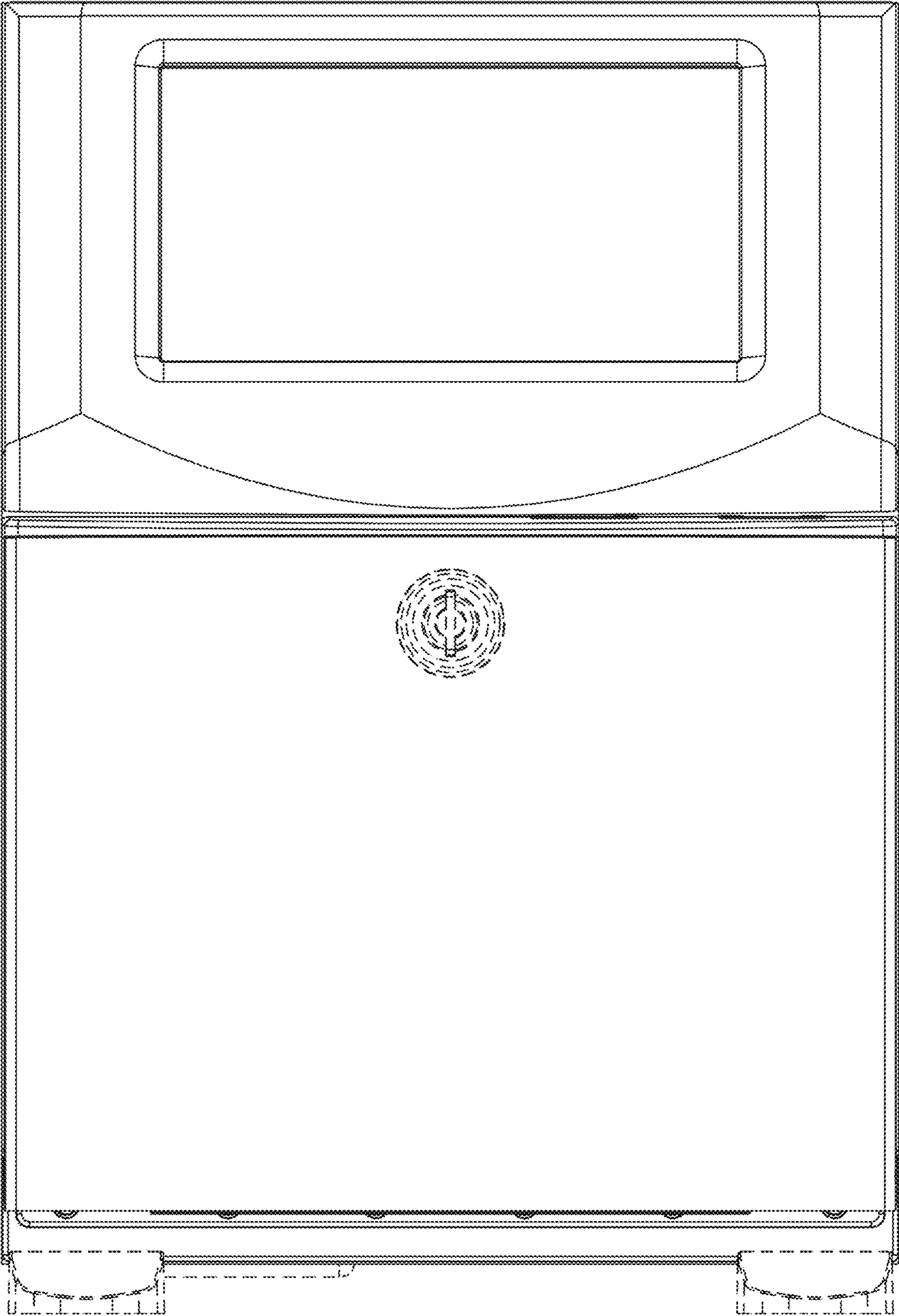


FIG. 3

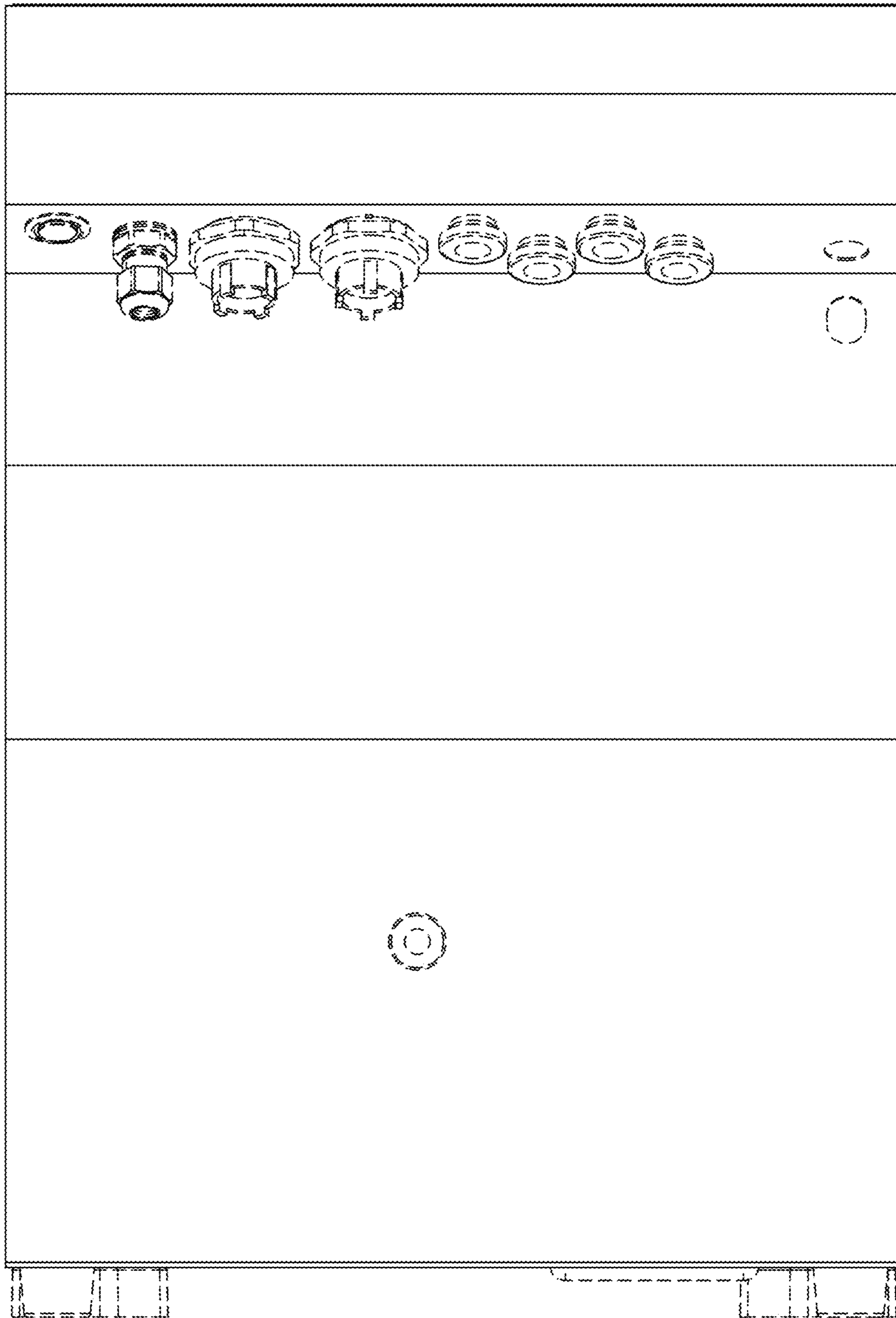


FIG. 4

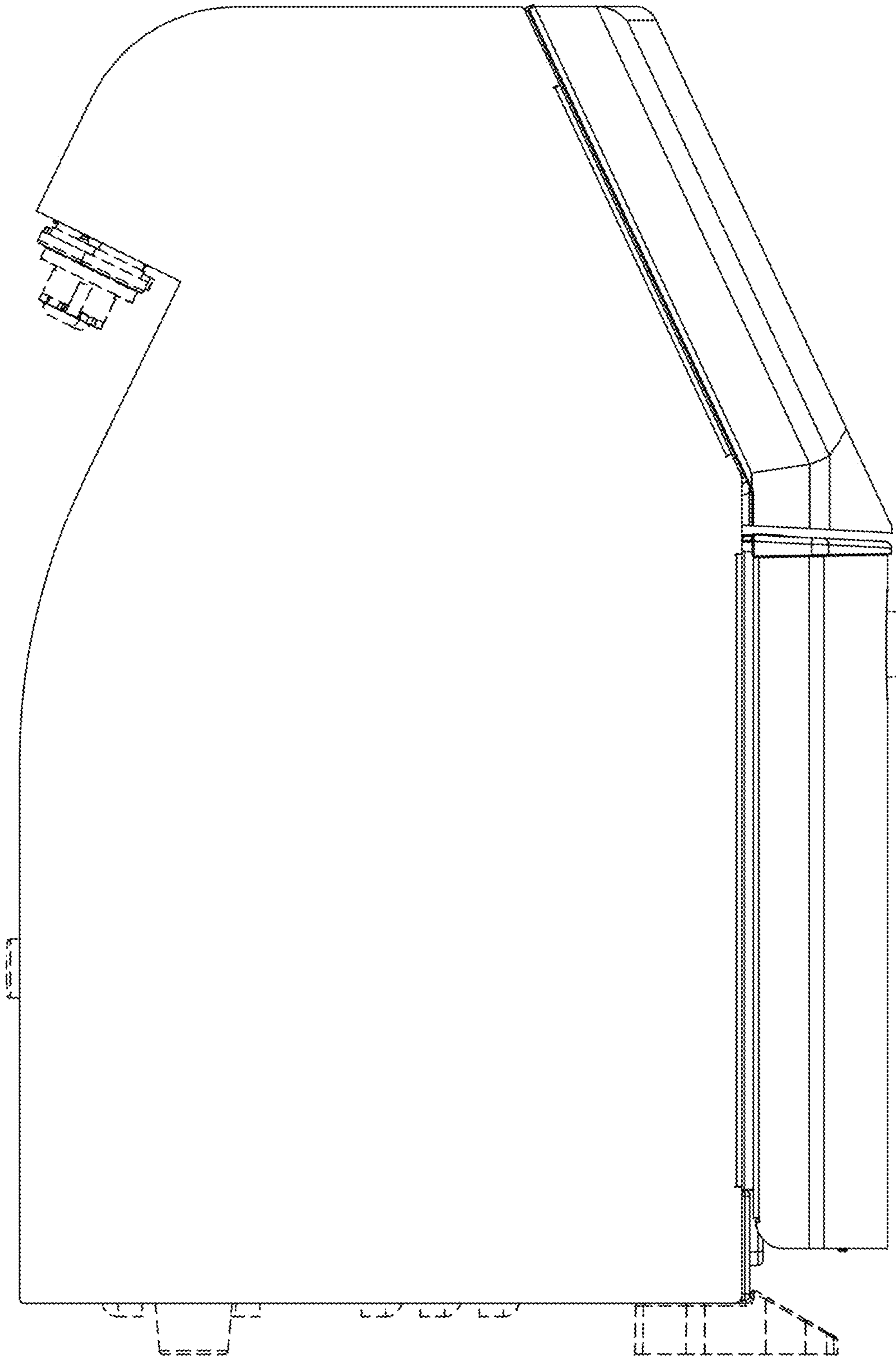


FIG. 5

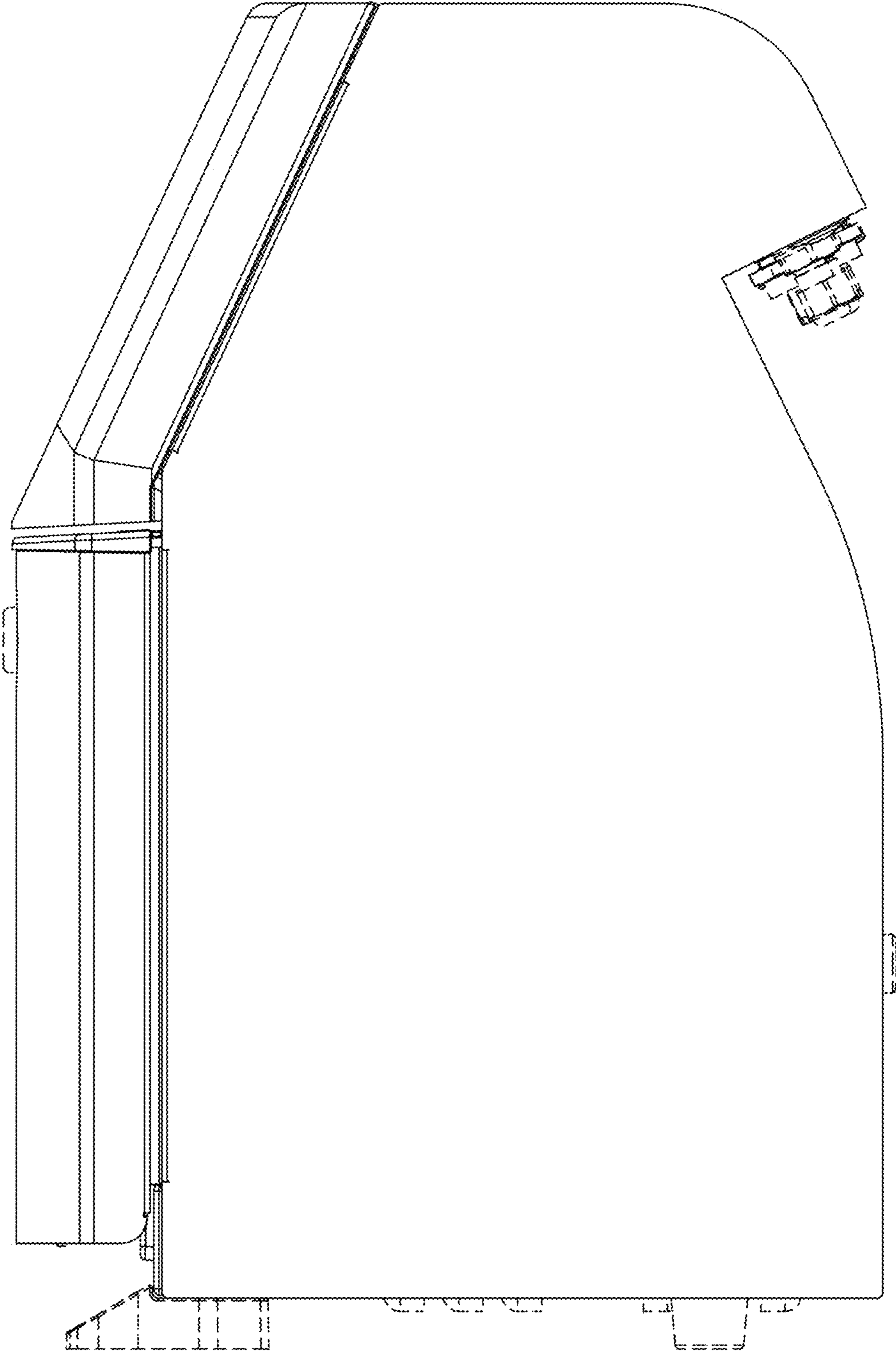


FIG. 6

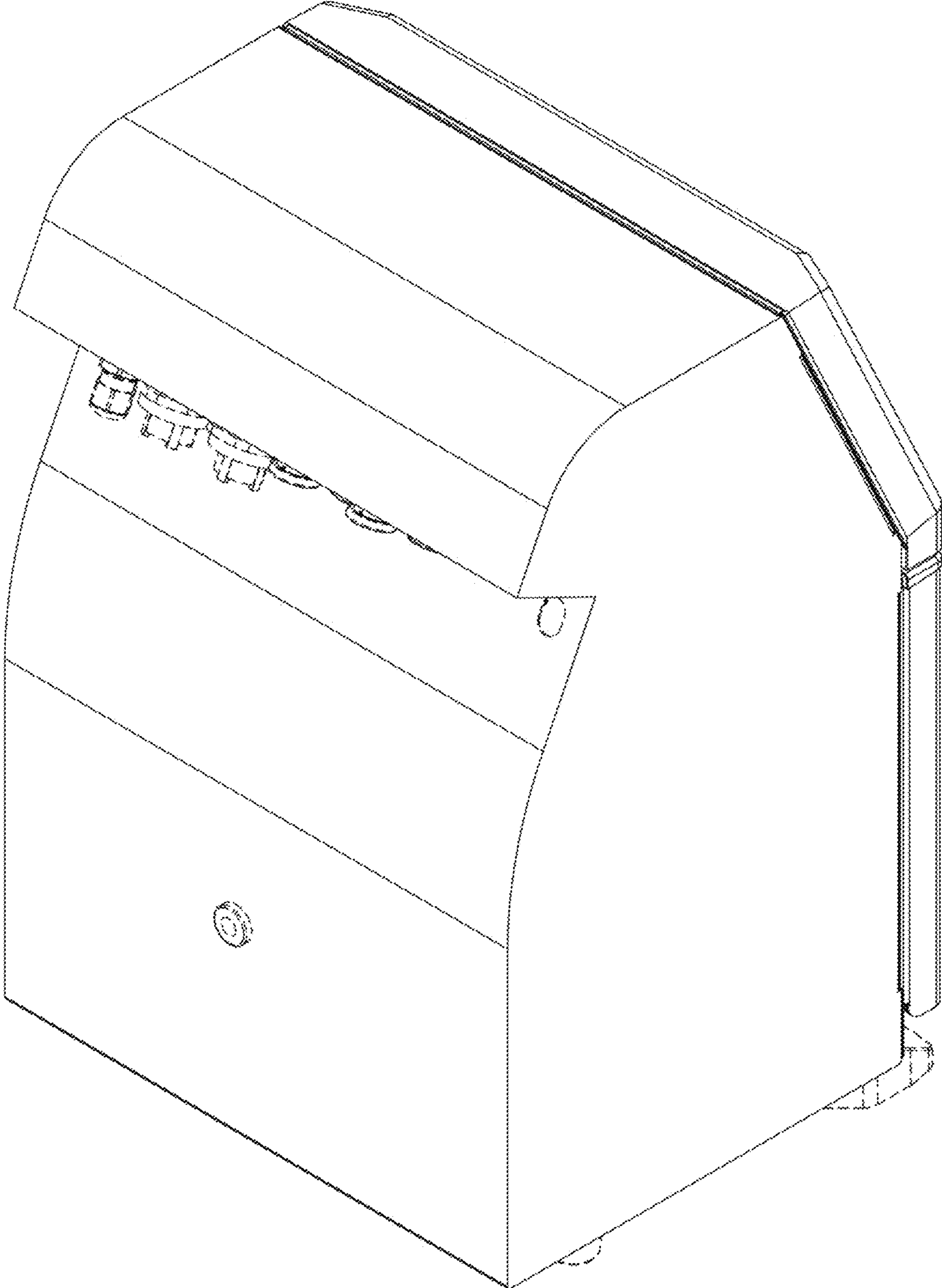


FIG. 7

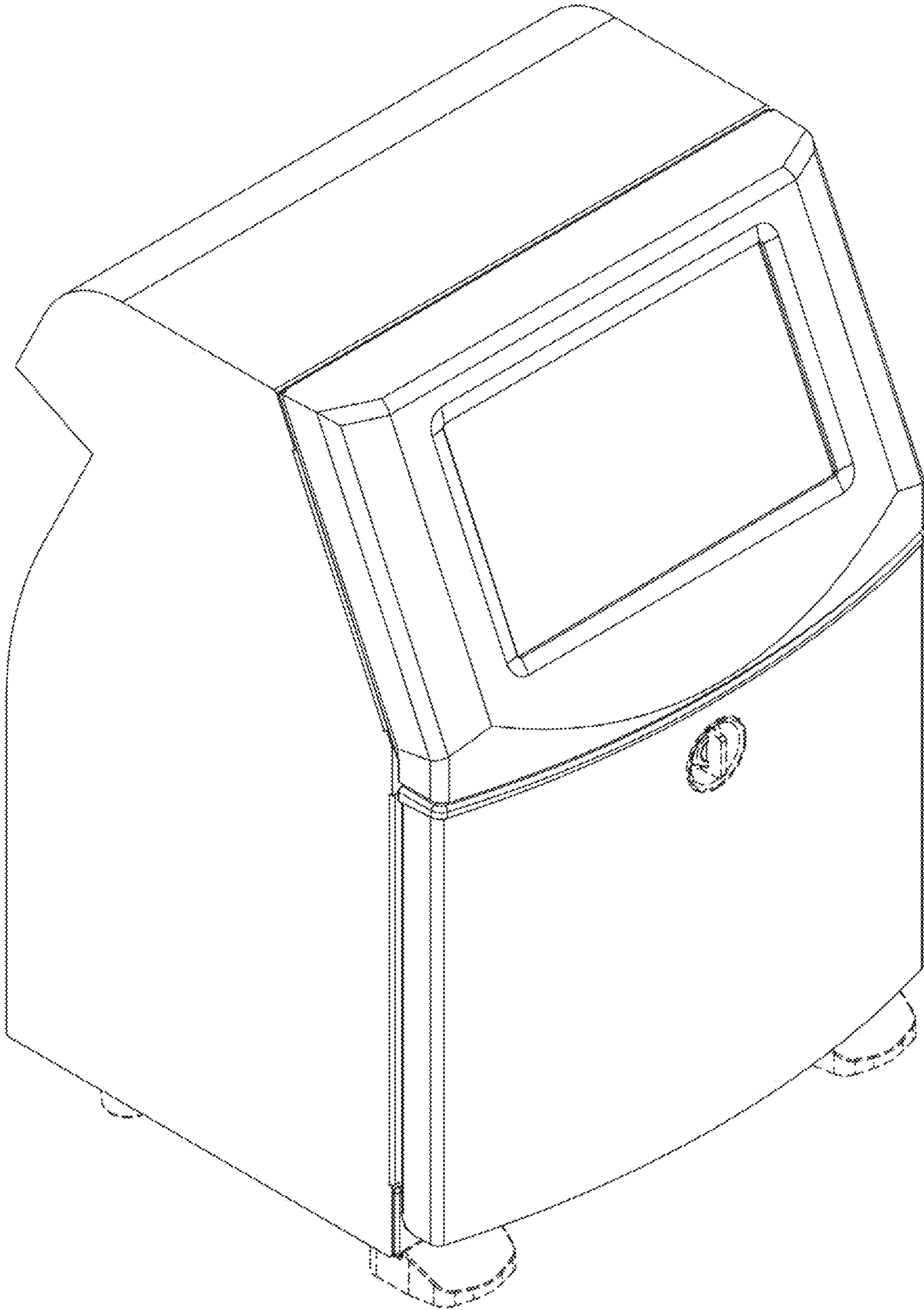


FIG. 8

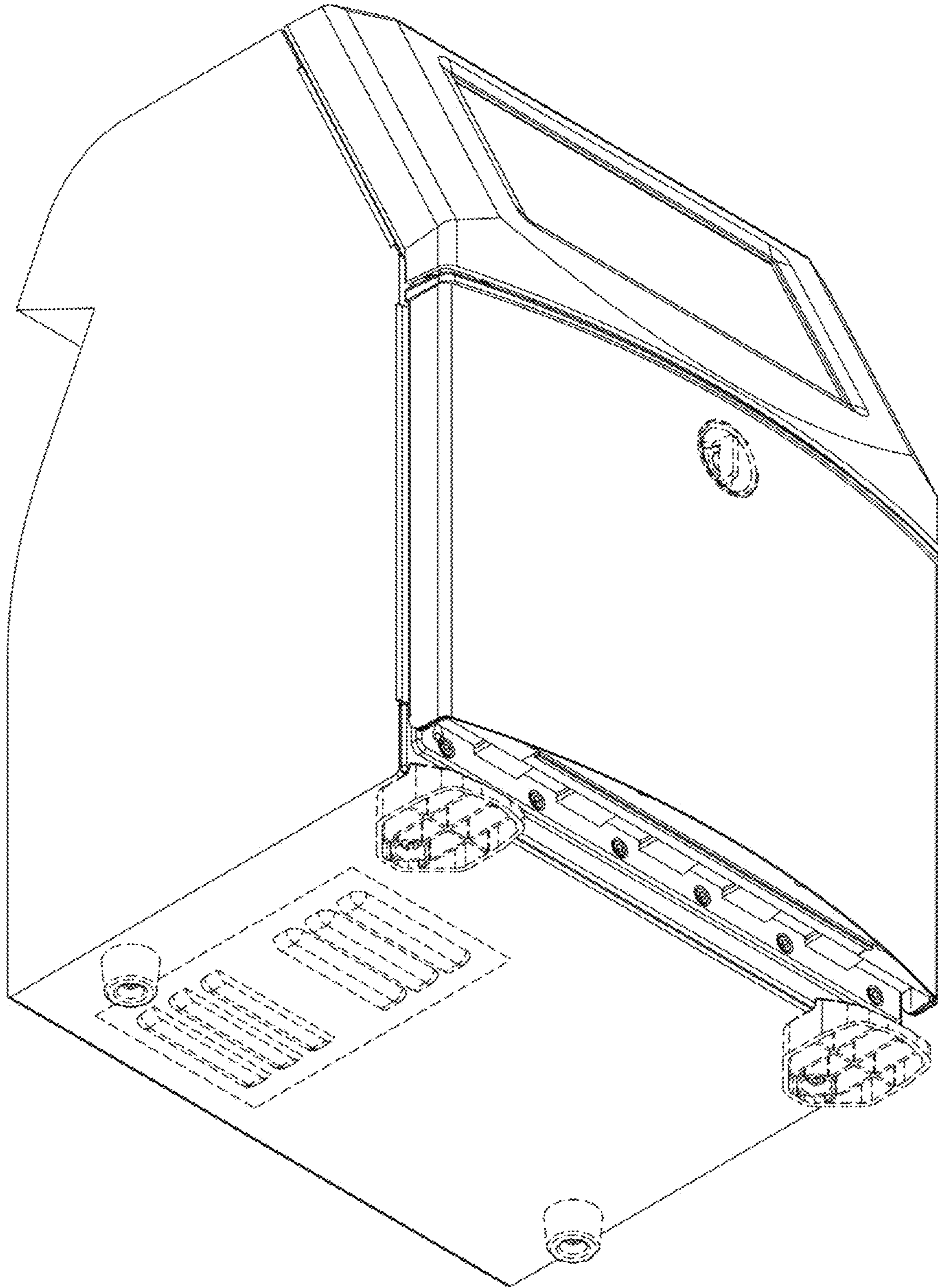


FIG. 9

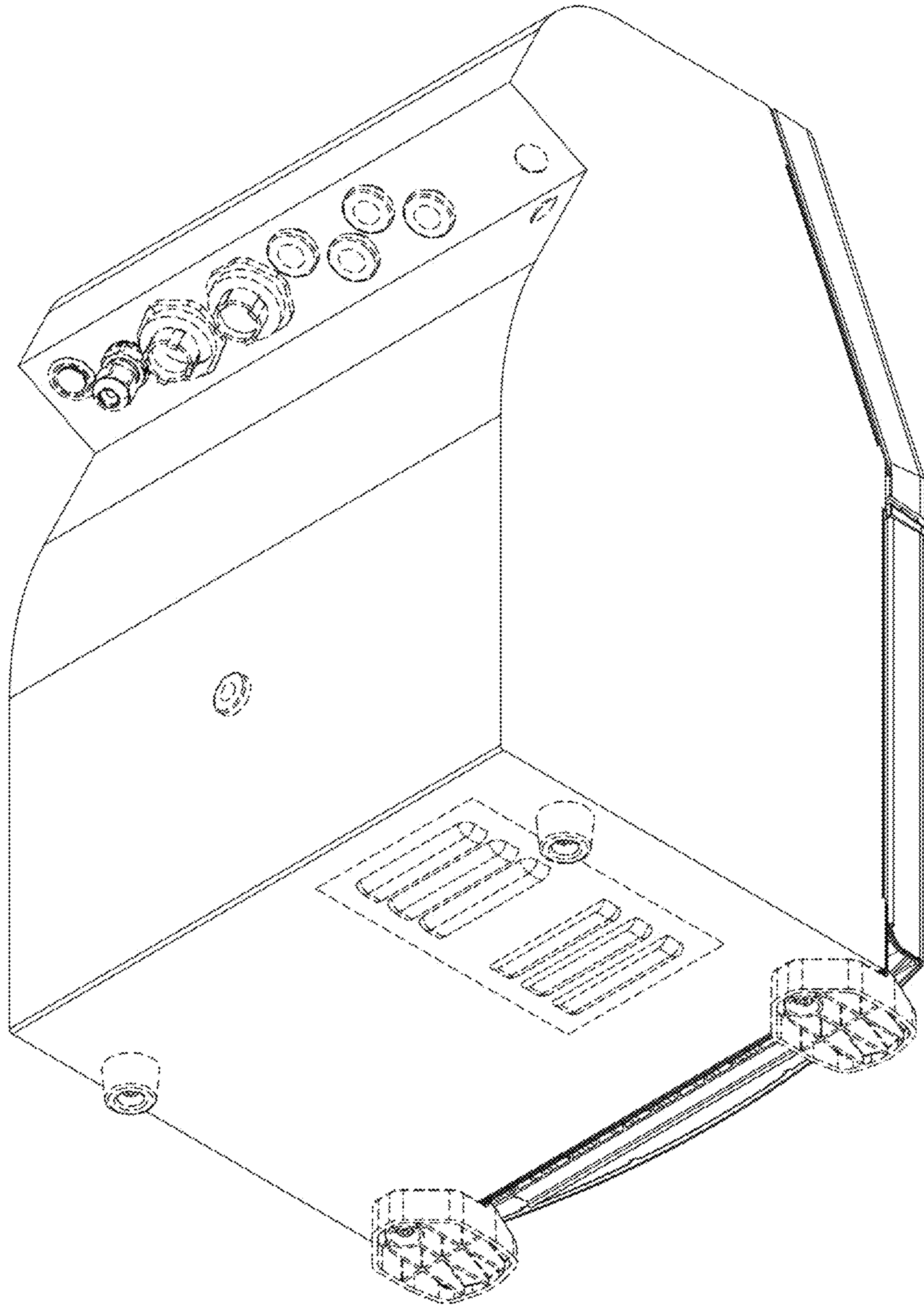


FIG. 10