



US00D949229S

(12) **United States Design Patent**
Kitade

(10) **Patent No.:** **US D949,229 S**
(45) **Date of Patent:** **** Apr. 19, 2022**

(54) **DIGITAL STILL CAMERA**

FOREIGN PATENT DOCUMENTS

(71) Applicant: **Panasonic Intellectual Property Management Co., Ltd., Osaka (JP)**

CN 306383403 * 3/2021

(72) Inventor: **Katsuhiro Kitade, Kyoto (JP)**

OTHER PUBLICATIONS

(73) Assignee: **Panasonic Intellectual Property Management Co., Ltd., Osaka (JP)**

“Pentax K-3 Mark III Flagship APS-C Black Camera Body—12fps, Touch Screen LCD, Weather Resistant Magnesium Alloy Body with in-Body 5-Axis Shake Reduction. 1.05x Optical viewfinder with 100% FOV” retrieved from Amazon.com retrieved on Nov. 12, 2021 from <https://www.amazon.com/Pentax-Flagship-APS-C-Black-Camera/dp/B091TN9ZW3/ref=pd_sbs_4/141-4906132-5431321?pd_rd_w=Zkmvo&pf_rd_p=cd718a0c-f7e0-41b6-9f23-6496d85d1998&pf_rd_r=4V0QQD6D5HC7BJEMB0NB&pd_rd_r=d47fb38c-ae89-42d8-9ca8-252286c3d9f2&pd_rd_wg=24mHj&pd_rd_i=B091TN9ZW3&th=1> (Year: 2021).*

(**) Term: **15 Years**

(21) Appl. No.: **29/752,304**

(22) Filed: **Sep. 26, 2020**

(30) **Foreign Application Priority Data**

Apr. 6, 2020 (JP) 2020-007196 D

(51) **LOC (13) Cl.** **16-01**

(52) **U.S. Cl.**
USPC **D16/219**

(58) **Field of Classification Search**
USPC D16/202, 200, 206, 208, 217, 218, 219
CPC G03B 15/03; G03B 17/02; G03B 13/02;
G03B 2219/02; H04N 5/2251; H04N 5/2252;
H04N 5/2253; H04N 5/2254; H04N 5/22525;
H04N 5/23216; H04N 5/232939; H04N 2101/00
See application file for complete search history.

* cited by examiner

Primary Examiner — Rosemary K Tarcza
Assistant Examiner — Lacey Chey Bowman
(74) *Attorney, Agent, or Firm* — Panasonic IP Management; Kerry S. Culpepper

(57) **CLAIM**

I claim the ornamental design for a digital still camera, as shown and described.

DESCRIPTION

FIG. 1 is a front perspective view of a digital still camera of the present invention;
FIG. 2 is a front view thereof;
FIG. 3 is a rear view thereof;
FIG. 4 is a first side view thereof;
FIG. 5 is a second side view thereof;
FIG. 6 is a top view thereof; and,
FIG. 7 is a bottom view thereof.
The broken lines in the drawings represent portions of the digital still camera that form no part of the claimed design. Additionally, the dash-dot-dashedlines in the drawings define the boundaries of the claimed design.

(56) **References Cited**

U.S. PATENT DOCUMENTS

D609,730 S * 2/2010 Nakamura D16/202
D884,772 S 5/2020 Sasaki
D885,464 S 5/2020 Kitade
D931,930 S * 9/2021 Miyashita D16/219
2011/0164171 A1 * 7/2011 Yasuda G03B 17/02
348/360
2012/0293701 A1 * 11/2012 Tobinaga H04N 5/3577
348/333.01
2021/0337125 A1 * 10/2021 Itaya H04N 5/23287

1 Claim, 7 Drawing Sheets

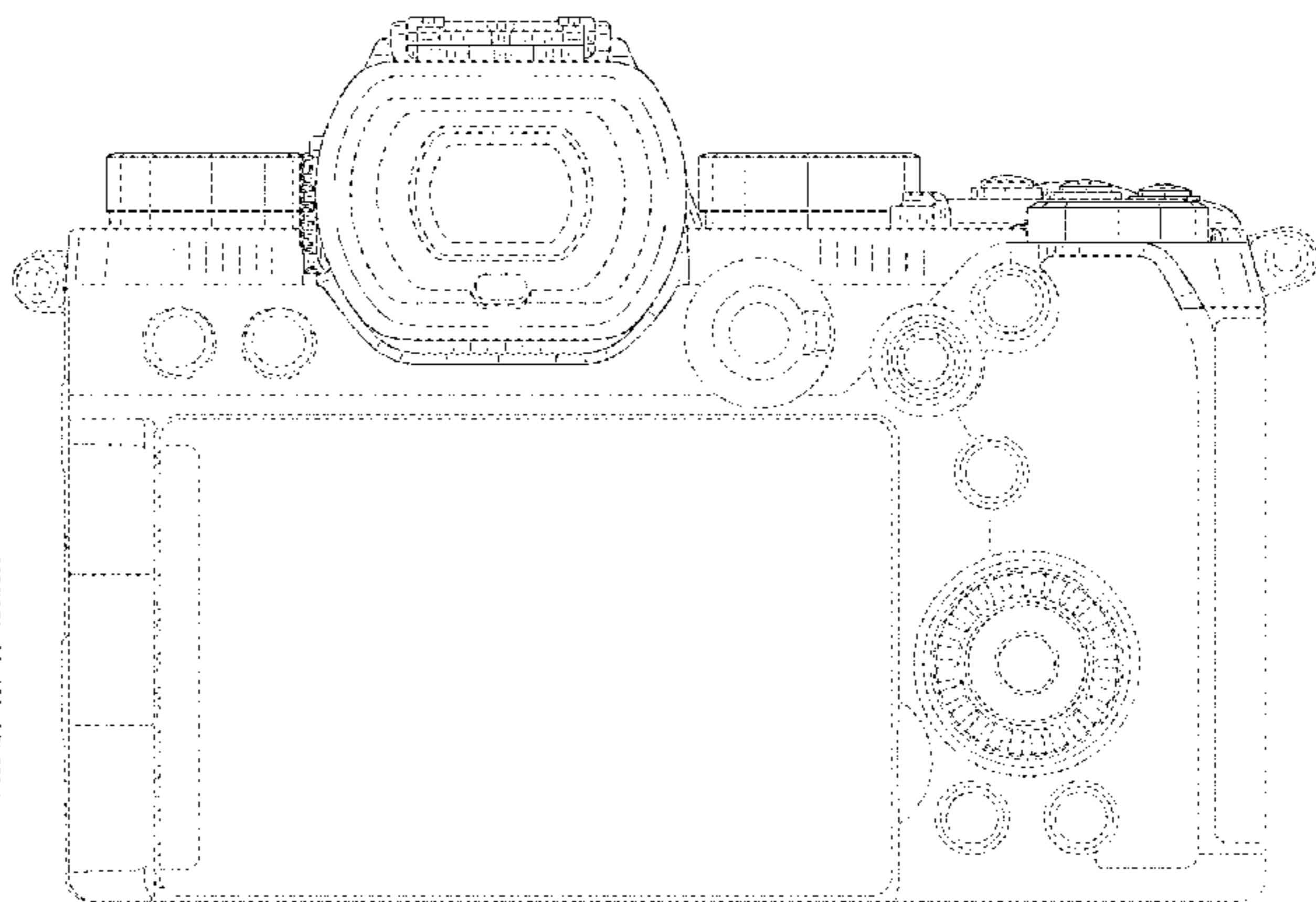
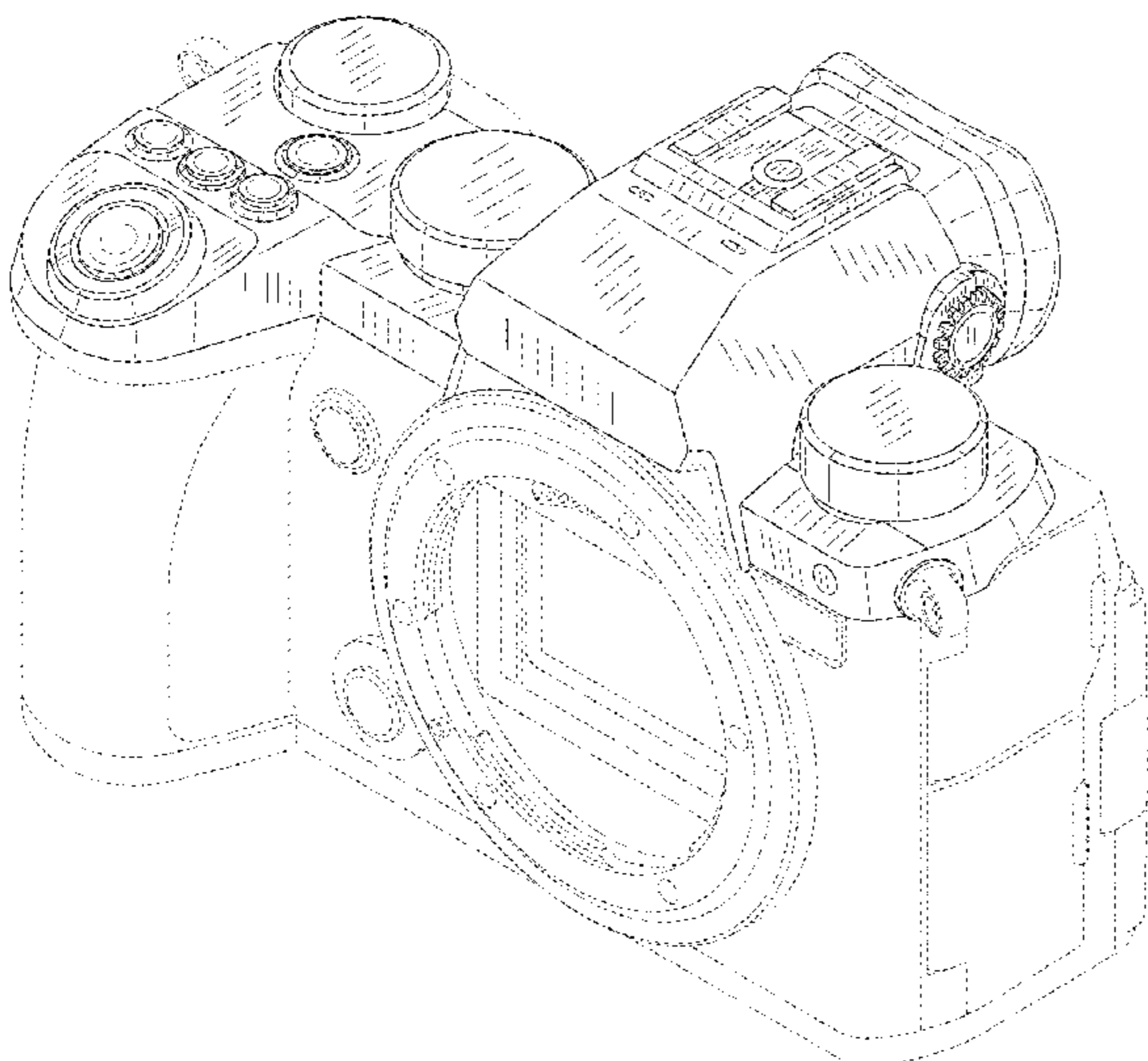


FIG. 1

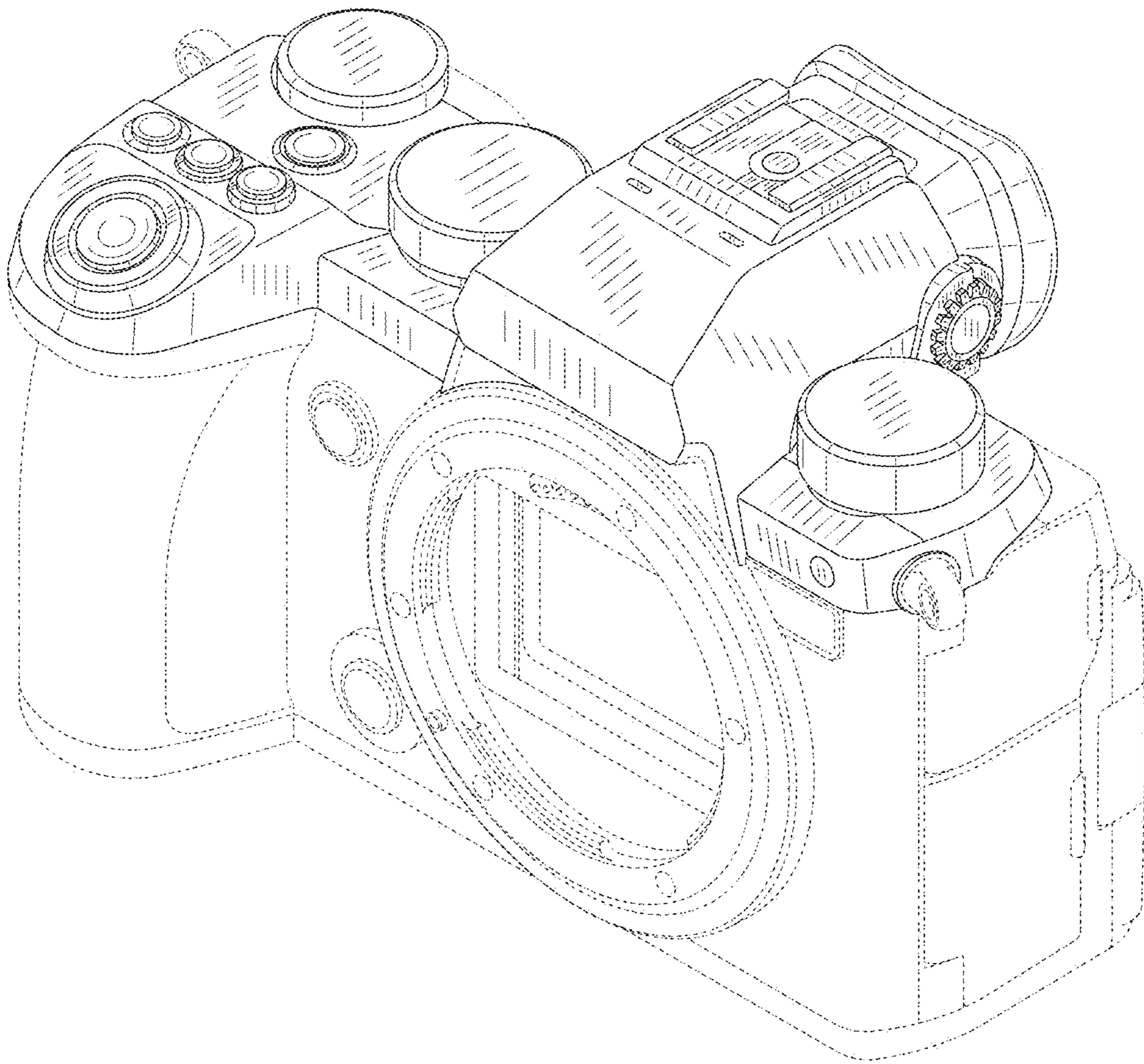


FIG. 2

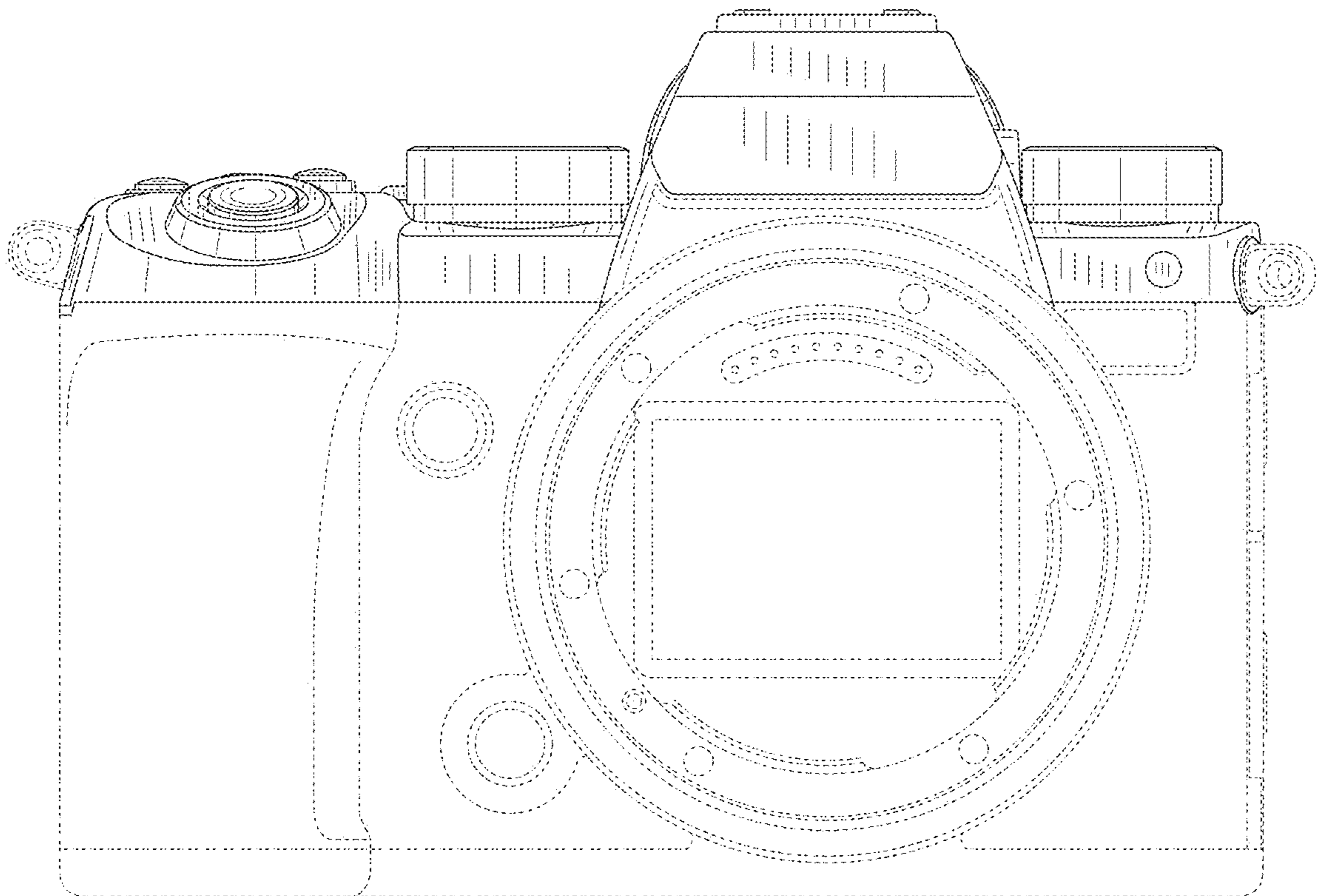


FIG. 3

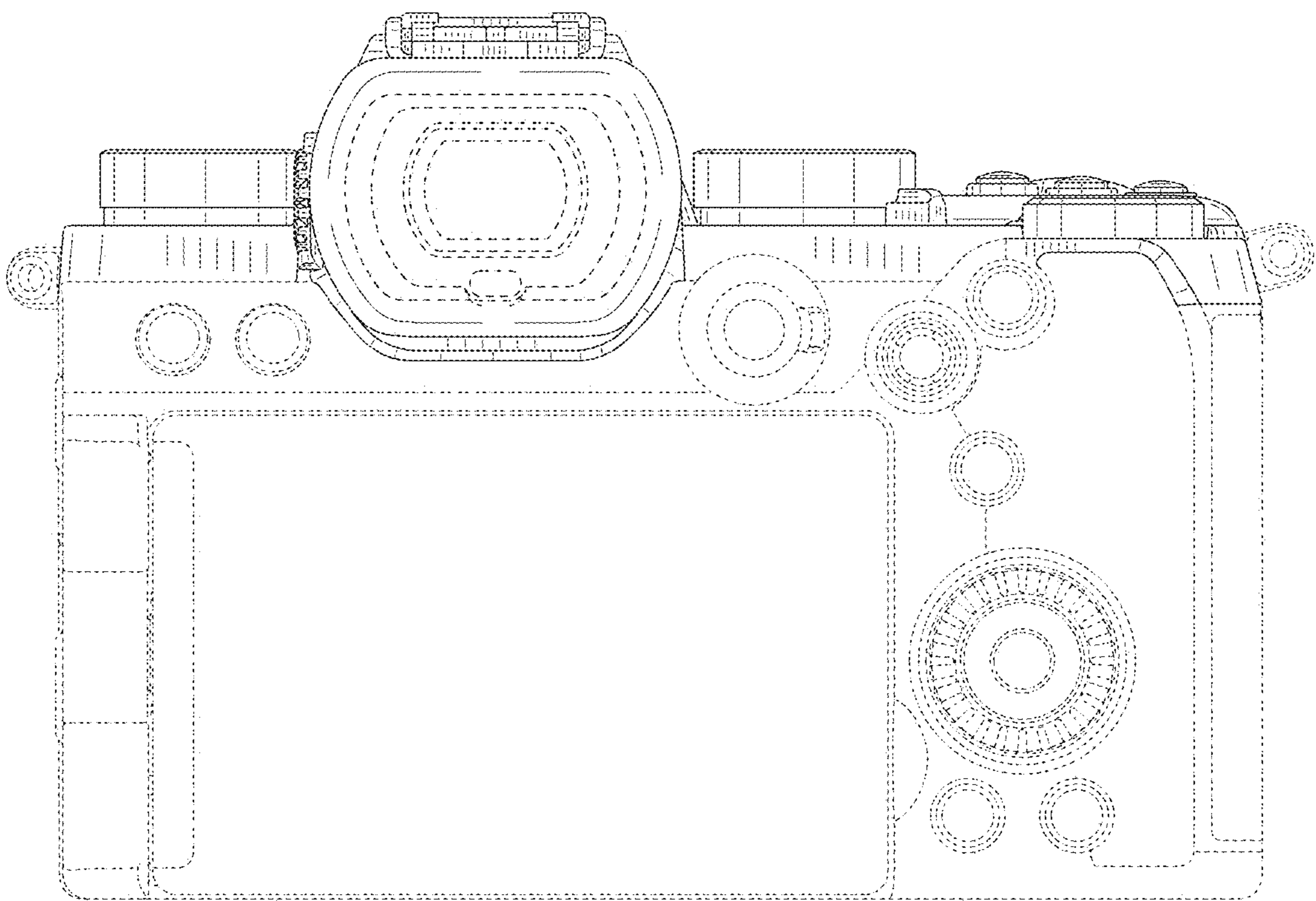


FIG. 4

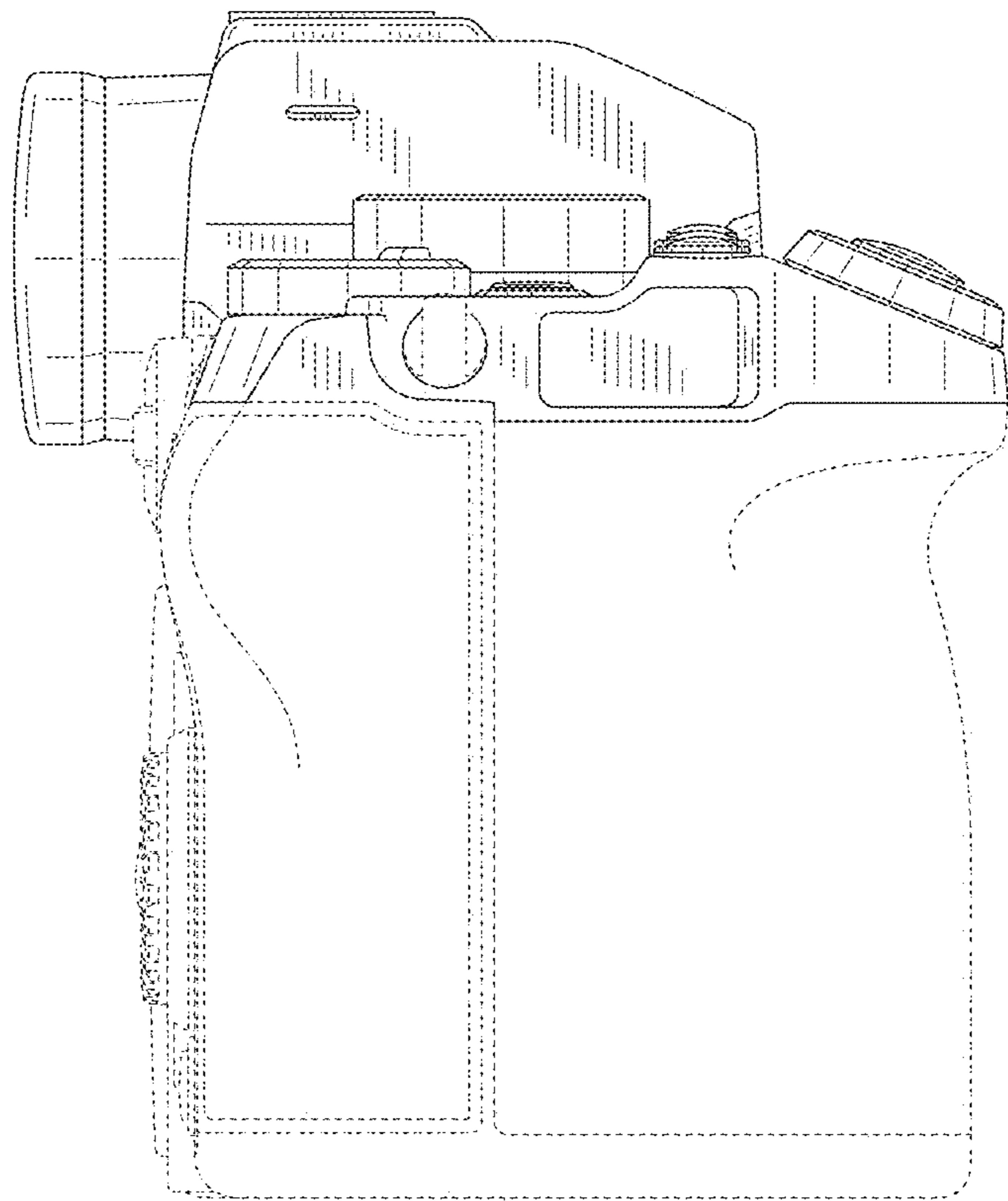


FIG. 5

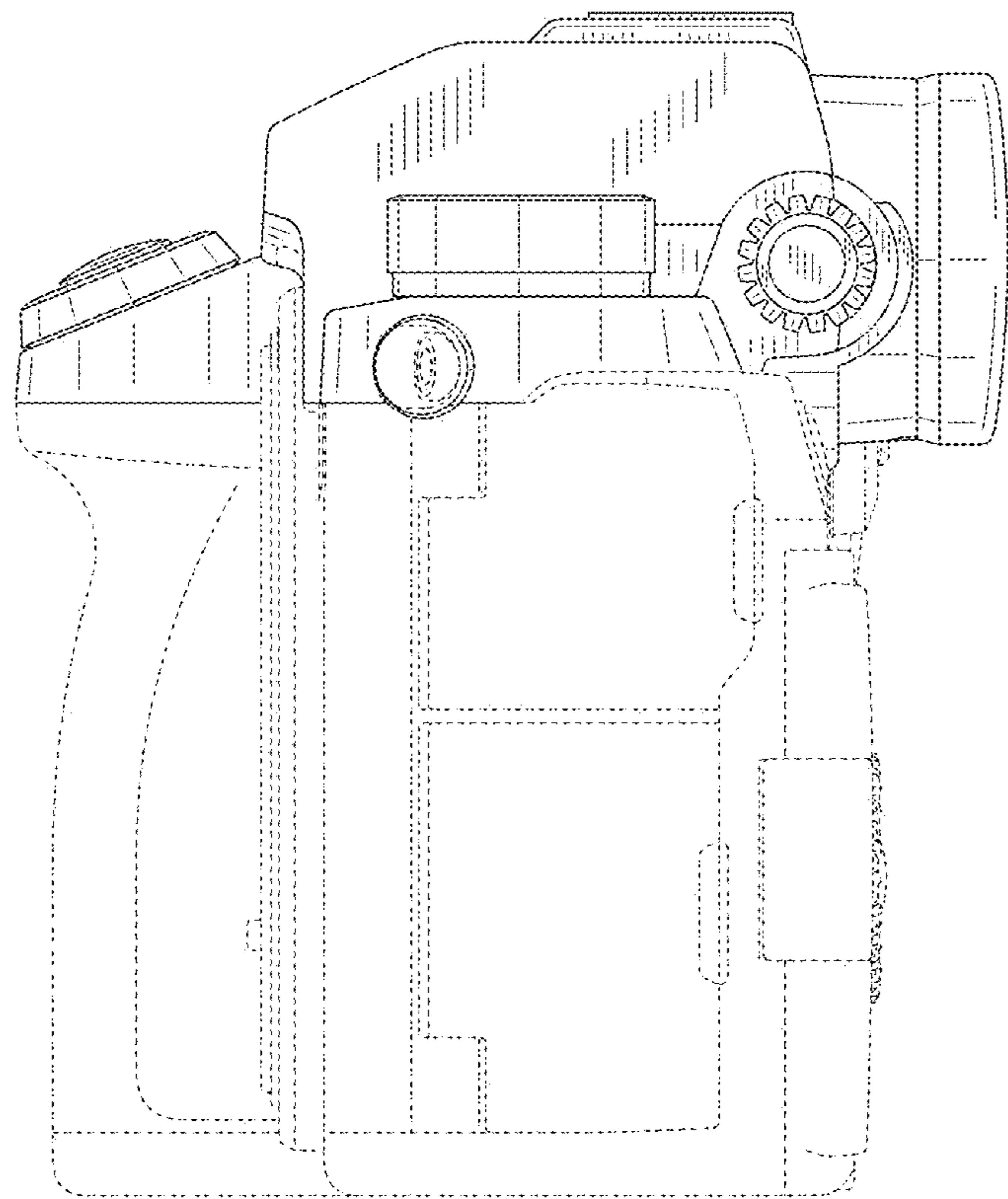


FIG. 6

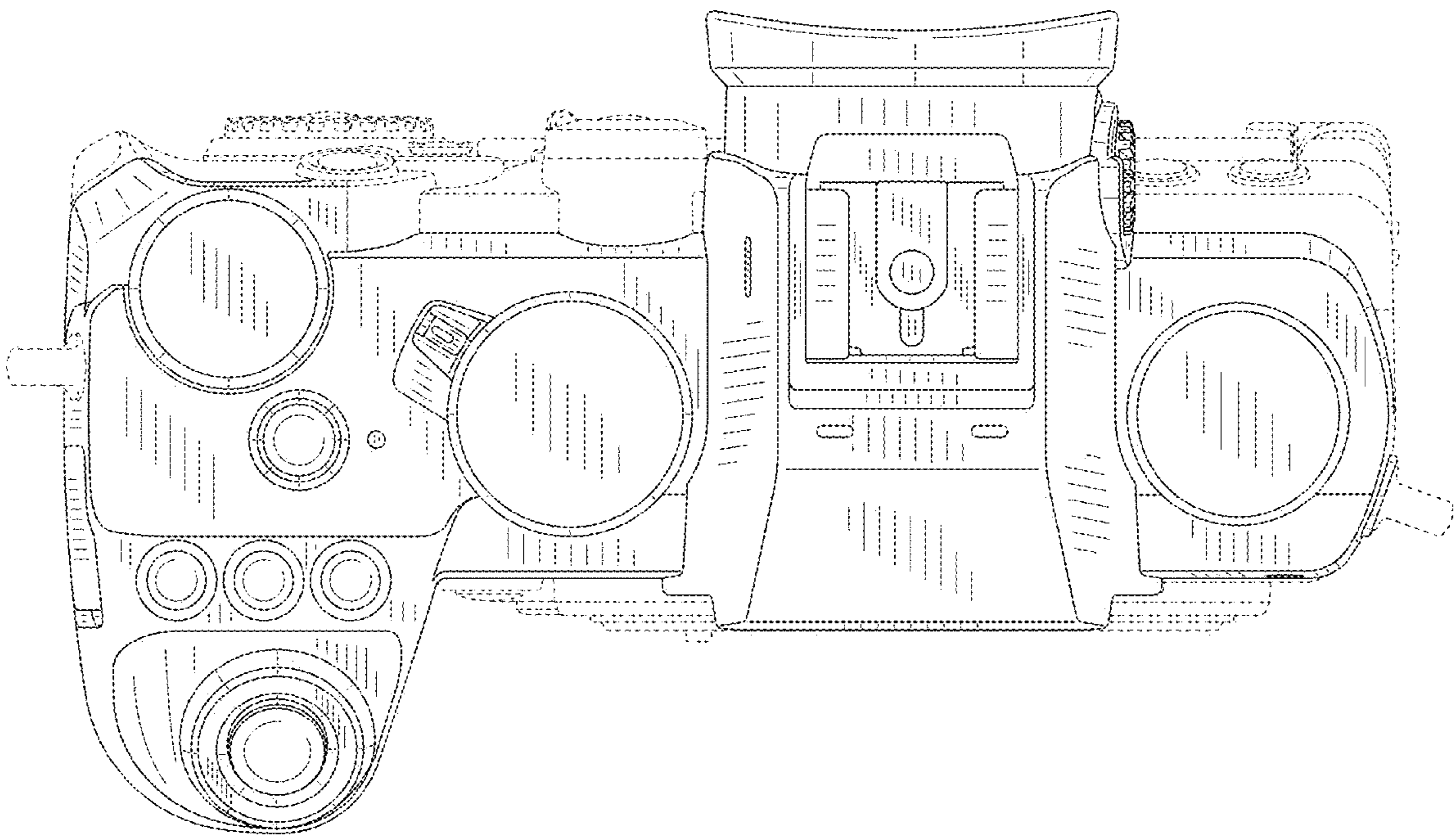


FIG. 7

