

US00D949228S

(12) **United States Design Patent**  
**Eastwood et al.**

(10) **Patent No.:** **US D949,228 S**

(45) **Date of Patent:** **\*\* Apr. 19, 2022**

(54) **CAMERA**

(71) Applicant: **Axon Enterprise, Inc.**, Scottsdale, AZ  
(US)

(72) Inventors: **Mark J. Eastwood**, Scottsdale, AZ  
(US); **Nathan Patulski**, Scottsdale, AZ  
(US); **Hans Moritz**, Scottsdale, AZ  
(US); **Vitaly Bulgarov**, Las Vegas, NV  
(US)

(73) Assignee: **Axon Enterprise, Inc.**, Scottsdale, AZ  
(US)

(\*\*) Term: **15 Years**

(21) Appl. No.: **29/811,511**

(22) Filed: **Oct. 14, 2021**

**Related U.S. Application Data**

(63) Continuation of application No. 29/731,587, filed on  
Apr. 16, 2020, now Pat. No. Des. 936,130.

(51) **LOC (13) Cl.** ..... **16-01**

(52) **U.S. Cl.**  
USPC ..... **D16/218**; D16/208; D16/219

(58) **Field of Classification Search**  
USPC ..... D16/200–204, 208, 218, 219;  
D12/187–189, 400; 340/932.2, 933, 937;  
348/143, 148, 151, 360, 373–376;  
396/419, 427–429, 433, 529, 535,  
396/537–541

CPC ..... G03B 15/03; G03B 17/02; G03B 17/04;  
G03B 17/48; G03B 17/56; G03B 19/04;  
G08G 1/0175; H04N 5/2251; H04N  
5/2252; H04N 5/2253; H04N 5/2254

See application file for complete search history.

(56) **References Cited**

**U.S. PATENT DOCUMENTS**

D360,646 S \* 7/1995 Nomura ..... D16/202  
D383,759 S 9/1997 Nagele et al.

D388,107 S 12/1997 Huckins  
D390,858 S \* 2/1998 Wen ..... D16/202  
D433,046 S \* 10/2000 Hall ..... D14/130  
D519,469 S 4/2006 Sorenson

(Continued)

**OTHER PUBLICATIONS**

“Axon Fleet 2 Camera System User Manual”, Axon Enterprise, Inc.,  
p. 1-24, published Jan. 2019 (24 pages).

(Continued)

*Primary Examiner* — Ramzi Almatrahi

(74) *Attorney, Agent, or Firm* — Banner & Witcoff, Ltd.

(57) **CLAIM**

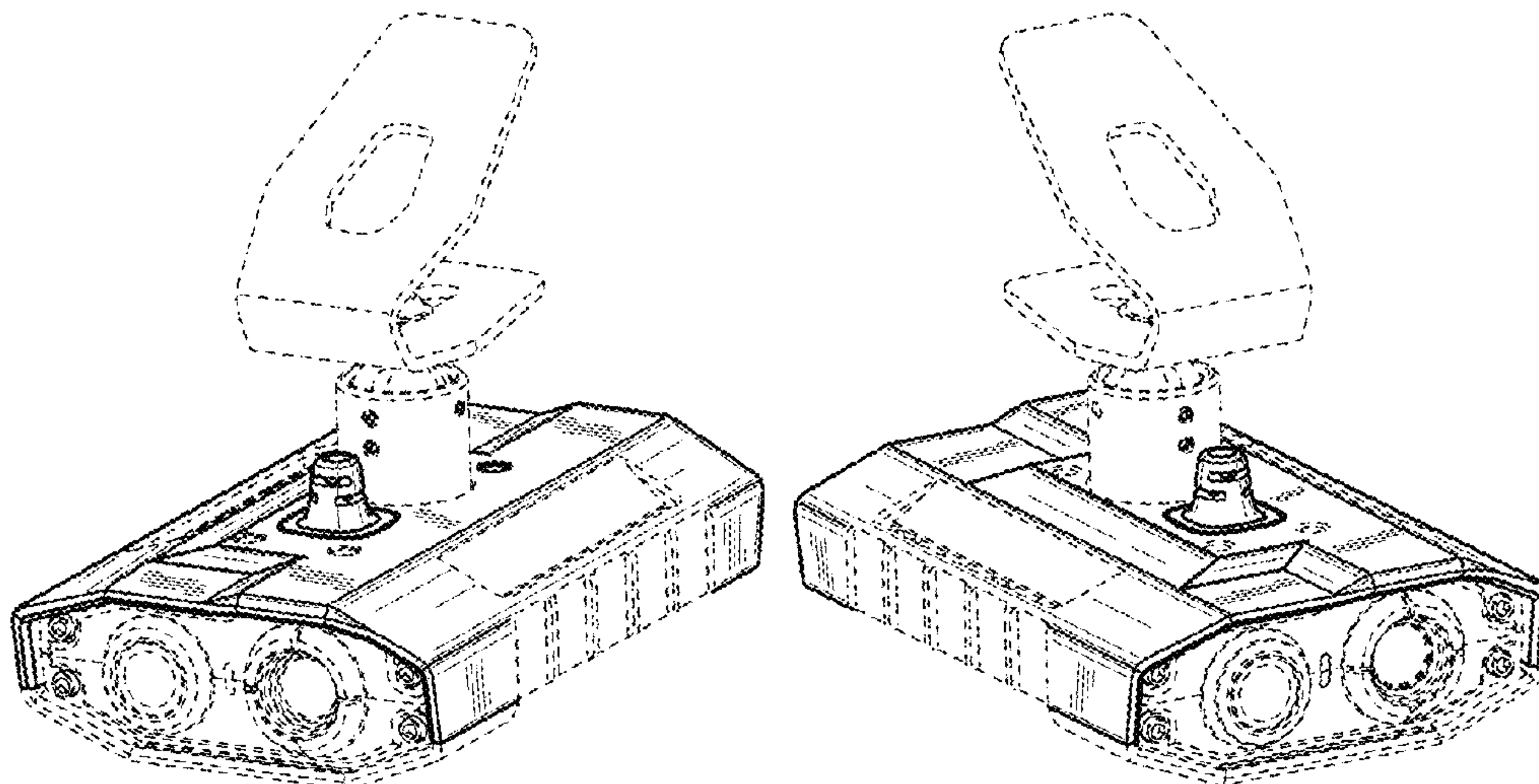
The ornamental design for a camera, as shown and  
described.

**DESCRIPTION**

FIG. 1 is a top, front and right side perspective view of a  
camera showing our new design;  
FIG. 2 is a top, front and left side perspective view thereof;  
FIG. 3 is a bottom, rear and right side perspective view  
thereof;  
FIG. 4 is a bottom, rear and left side perspective thereof;  
FIG. 5 is a front view thereof;  
FIG. 6 is a rear view thereof;  
FIG. 7 is a right side view thereof;  
FIG. 8 is a left side view thereof;  
FIG. 9 is a top view thereof; and,  
FIG. 10 is a bottom view thereof.

The broken lines depict portions of the camera in which the  
design is embodied that form no part of the claimed design.  
Additionally, the broken lines which are shown immediately  
adjacent to the shaded areas represent the bounds of the  
claimed design and form no part of the claimed design.

**1 Claim, 2 Drawing Sheets**



(56)

References Cited

U.S. PATENT DOCUMENTS

D525,642 S 7/2006 Yamaguchi  
 D528,104 S 9/2006 Kimura  
 D550,632 S 9/2007 Samuels et al.  
 D628,614 S 12/2010 Barley et al.  
 D634,315 S 3/2011 Nousiainen  
 D640,305 S 6/2011 Hashiguchi  
 D646,315 S 10/2011 Orf  
 D684,980 S 6/2013 Chun  
 D708,251 S 7/2014 Chen et al.  
 D717,307 S 11/2014 Chun  
 D721,122 S 1/2015 Rivkin et al.  
 D721,123 S 1/2015 Rivkin et al.  
 D723,042 S 2/2015 Lee et al.  
 8,960,623 B2 2/2015 Woolford  
 D727,761 S \* 4/2015 Abe ..... D10/80  
 D733,783 S 7/2015 Wu  
 D739,410 S 9/2015 Chun  
 D744,473 S 12/2015 Tsai et al.  
 D750,612 S 3/2016 Chen  
 D754,768 S 4/2016 Patulski et al.  
 D754,769 S 4/2016 Patulski et al.  
 D757,705 S 5/2016 Esses  
 D772,218 S 11/2016 Alesi et al.  
 D780,743 S 3/2017 Chun  
 D781,363 S 3/2017 Ikegame  
 D781,860 S 3/2017 Tsiopanos et al.  
 D782,560 S \* 3/2017 Li ..... D16/218  
 D783,012 S 4/2017 Lee  
 D790,528 S 6/2017 Lindloff  
 D797,750 S 9/2017 Wengreen  
 D799,466 S 10/2017 Sukphist et al.  
 D802,042 S 11/2017 Peabody et al.  
 D803,294 S 11/2017 Peabody et al.

D805,575 S 12/2017 Peabody et al.  
 D822,747 S \* 7/2018 Van Deusen ..... D16/218  
 D823,928 S 7/2018 Hatcher et al.  
 D834,633 S \* 11/2018 Carlson ..... D16/208  
 D852,253 S \* 6/2019 Lee ..... D16/200  
 D859,495 S \* 9/2019 Iritani ..... D16/203  
 D884,046 S \* 5/2020 Hsu ..... D16/202  
 D888,803 S \* 6/2020 Hsu ..... D16/218  
 D890,241 S \* 7/2020 Abdul ..... D16/208  
 2012/0174382 A1 7/2012 Dering  
 2012/0327234 A1 \* 12/2012 Fish, Jr. .... B60R 11/04  
 348/148  
 2016/0119514 A1 4/2016 Sugimura et al.

OTHER PUBLICATIONS

“Axon Fleet 2 Camera System Quick Start Guide”, Axon Enterprise, Inc., p. 1-2, publication date unknown but prior to the filing date of the present application (2 pages).  
 “Axon Fleet Camera System Quick Start Guide”, Axon Enterprise, Inc., p. 1-2, publication date unknown but prior to the filing date of the present application (2 pages).  
 “Axon Fleet 2”, Axon Enterprise, Inc., p. 1-2, publication date unknown but prior to the filing date of the present application (2 pages).  
 “Axon Flex 2—Ballistic Vest Mount”; Axon; retrieved Apr. 1, 2020; disclosure date unknown but prior to the filing date of the present application; URL: [https://buy.axon.com/ccrz\\_ProductDetails?sku=11555](https://buy.axon.com/ccrz_ProductDetails?sku=11555).  
 “Passive holder with tilt swivel”; Brodit; retrieved Apr. 1, 2020; published Jul. 1, 2017; URL: <https://www.brodit.com/product.html?id=511848>.

\* cited by examiner



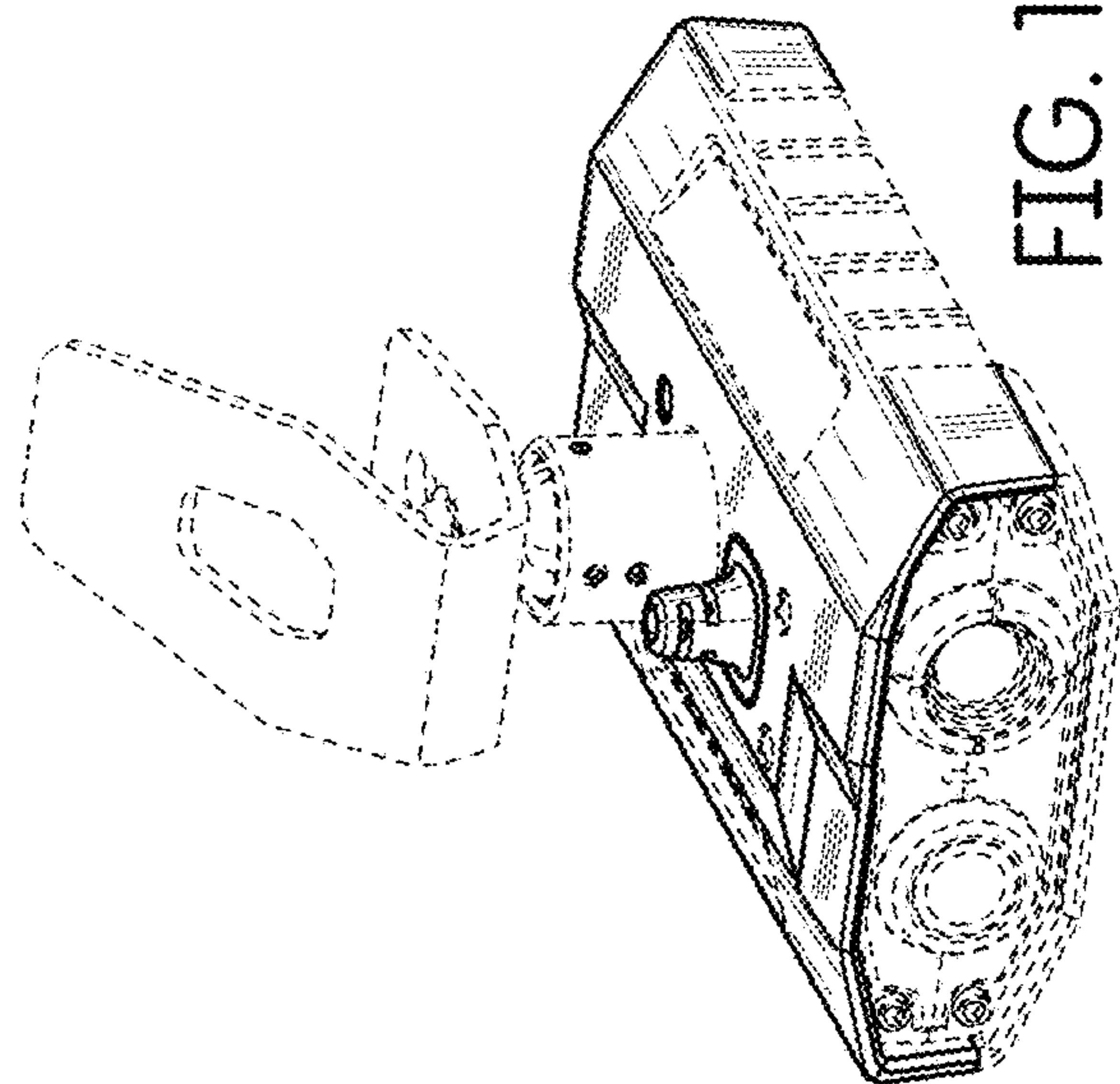


FIG. 1

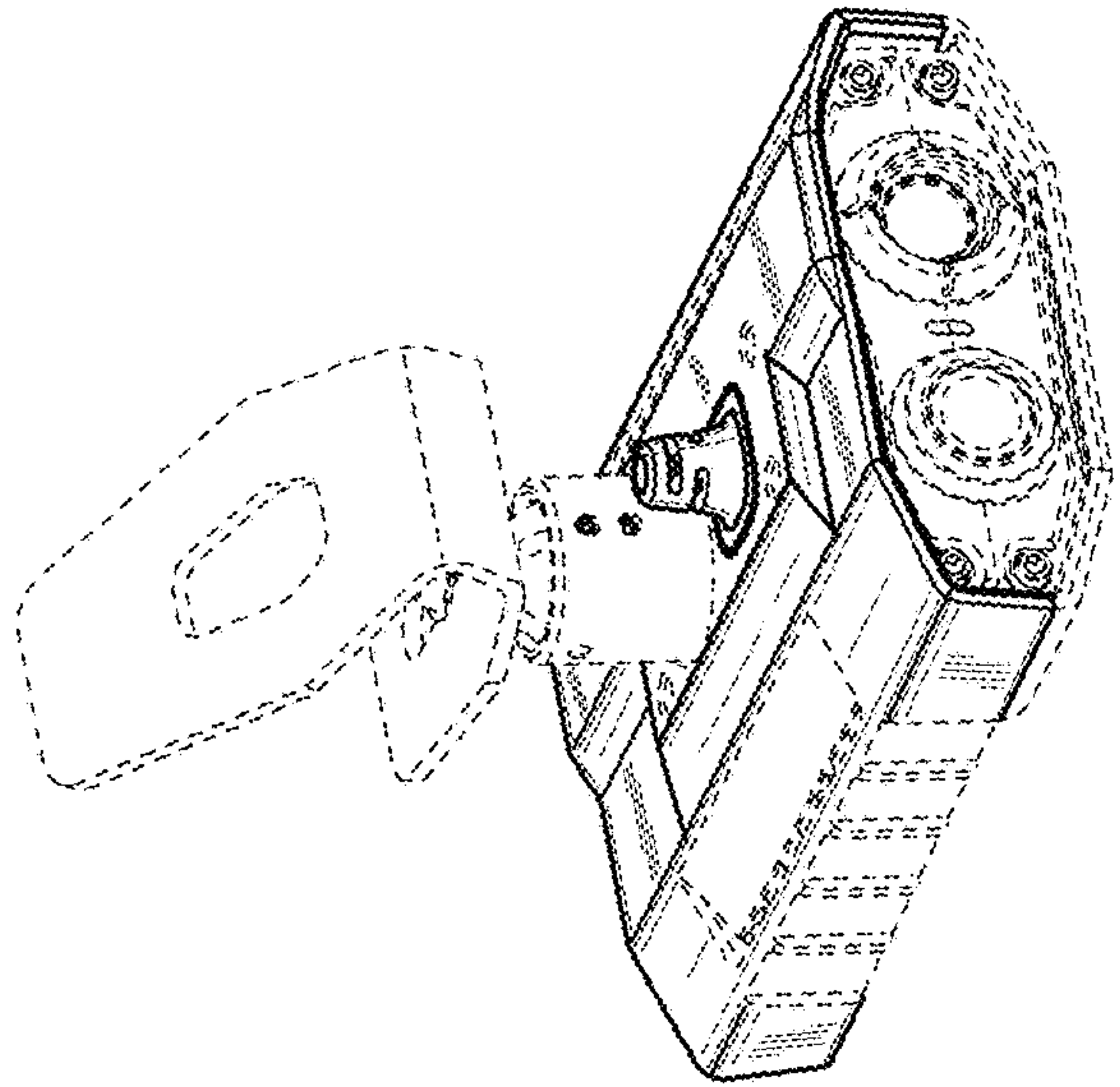


FIG. 2

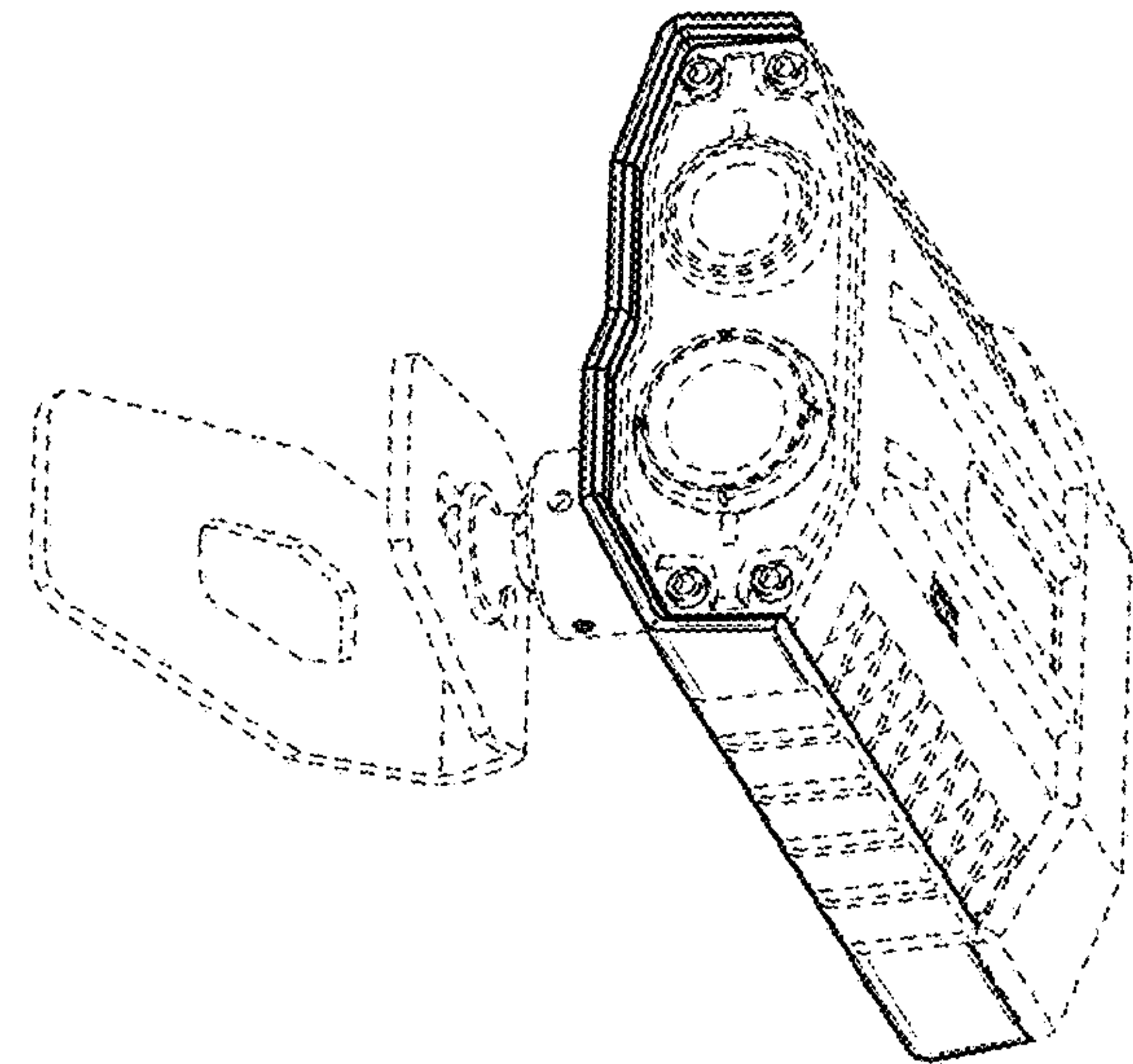


FIG. 3

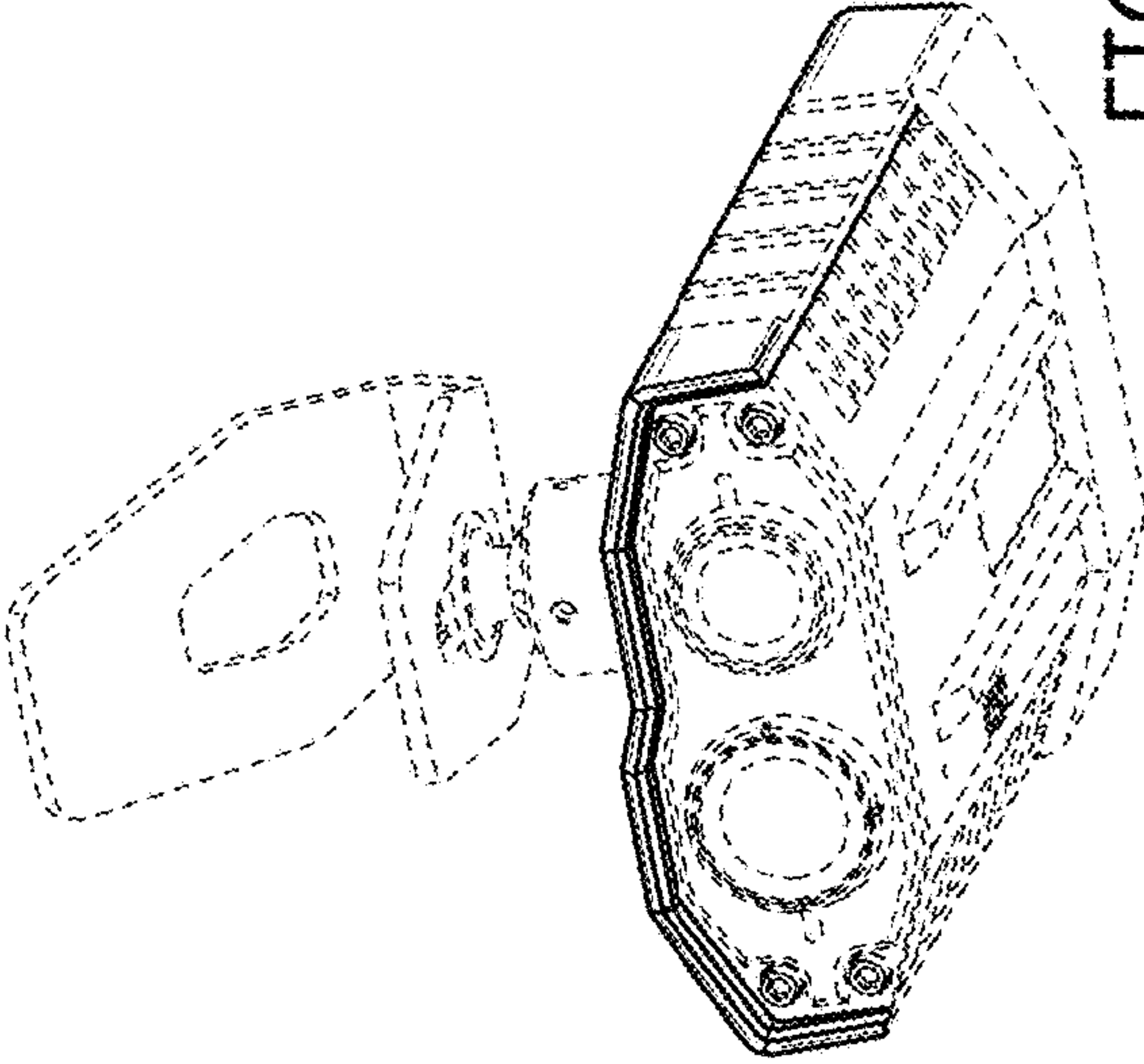


FIG. 4

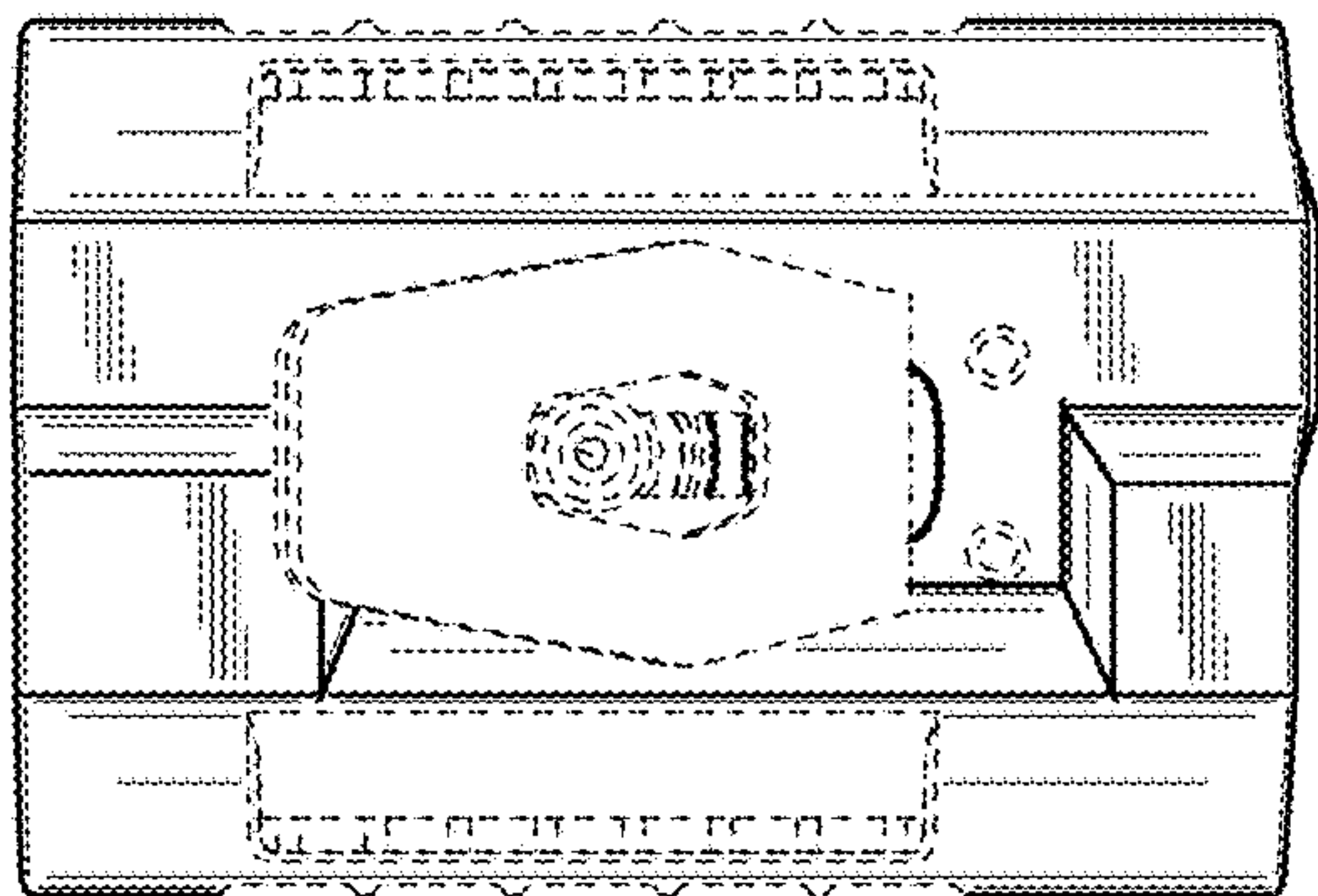


FIG. 9

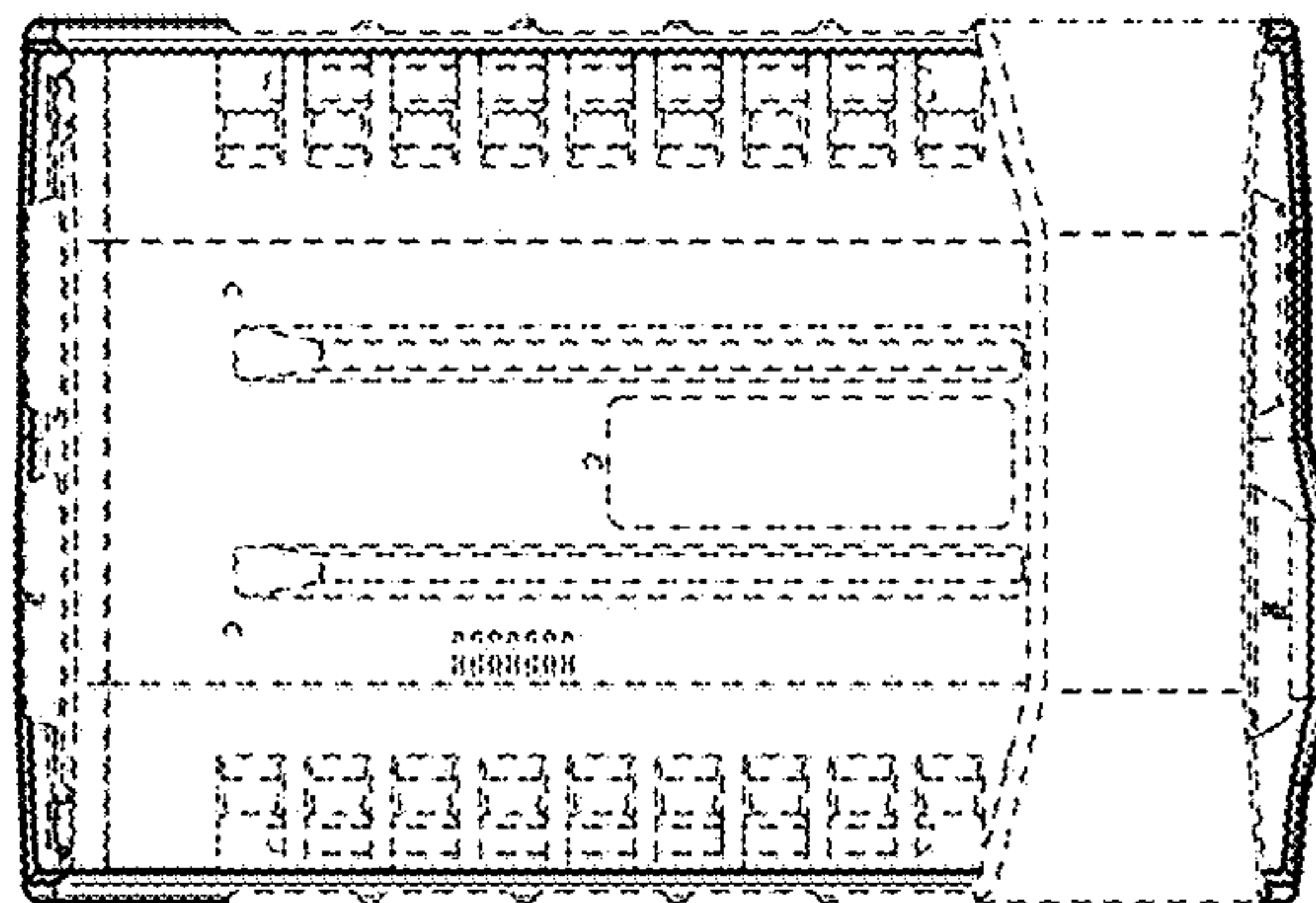


FIG. 10

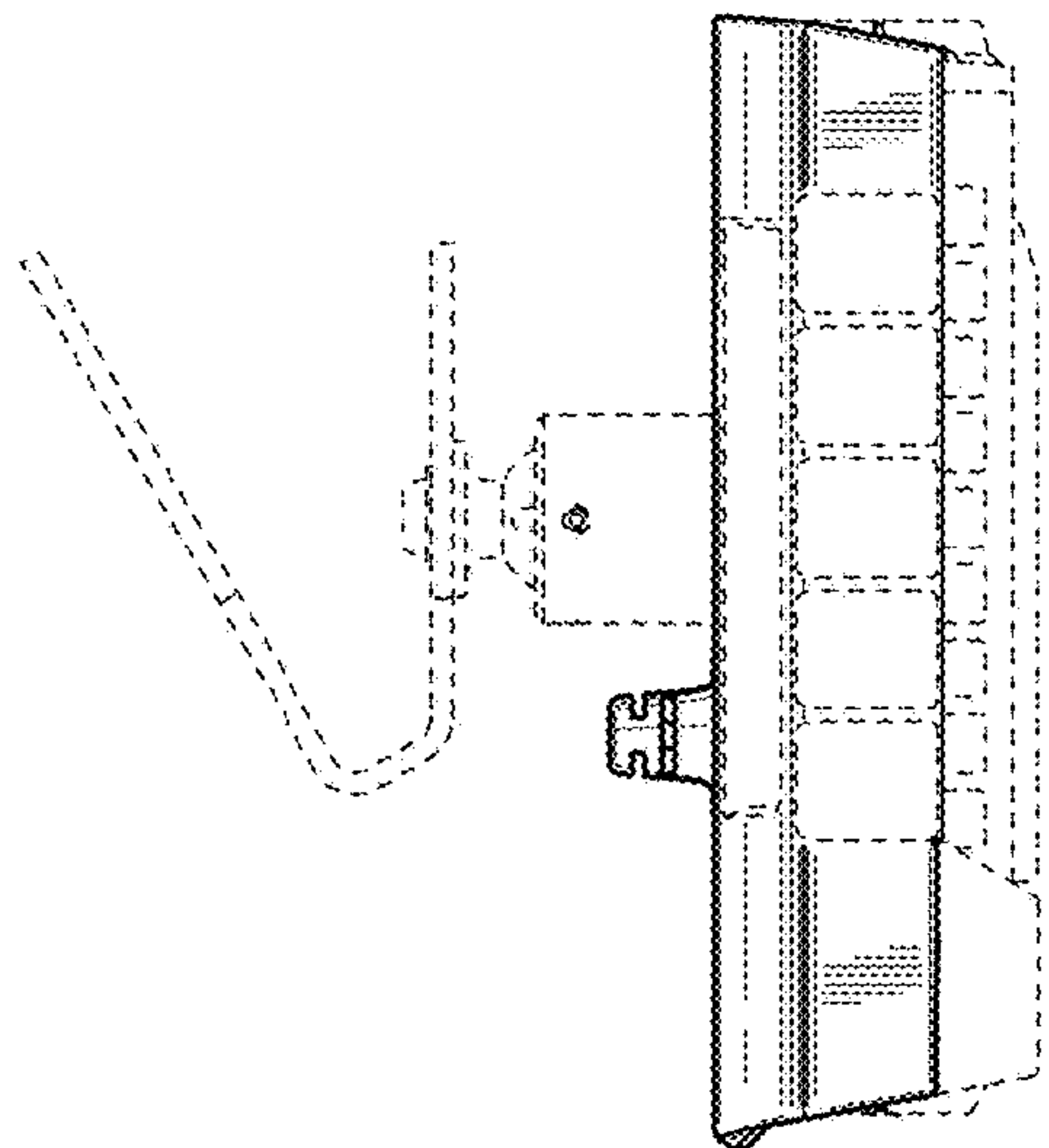


FIG. 7

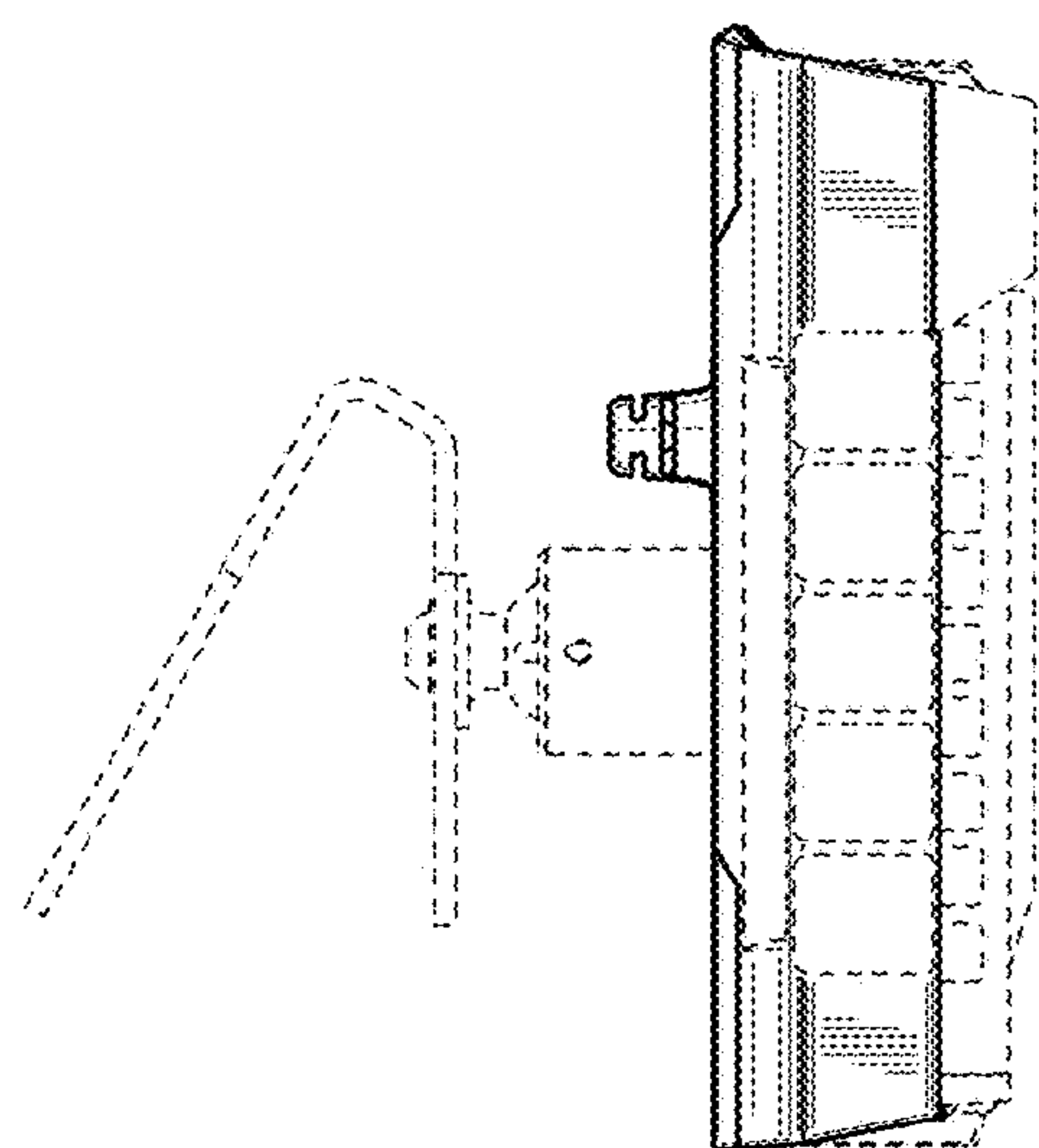


FIG. 8

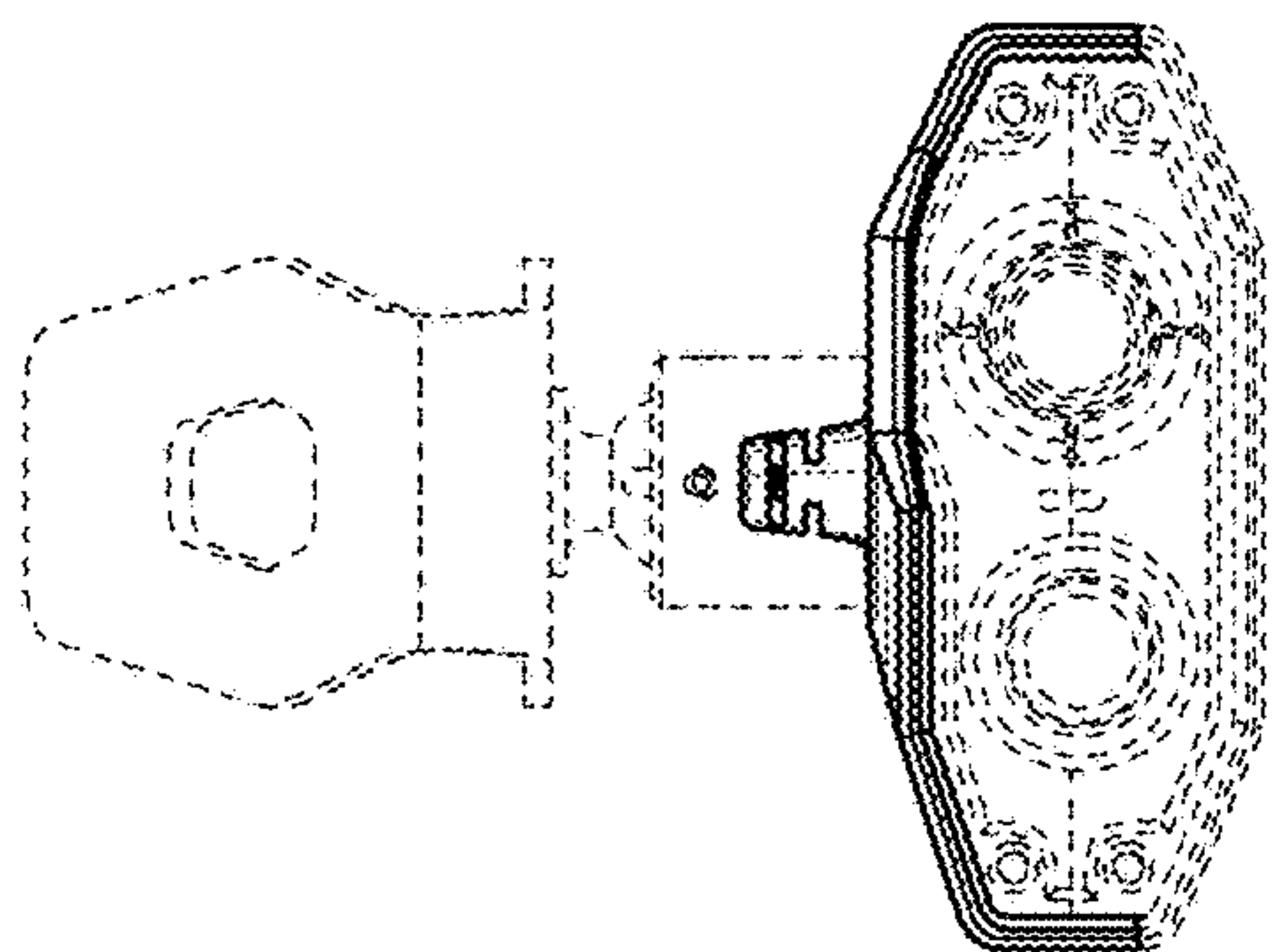


FIG. 5

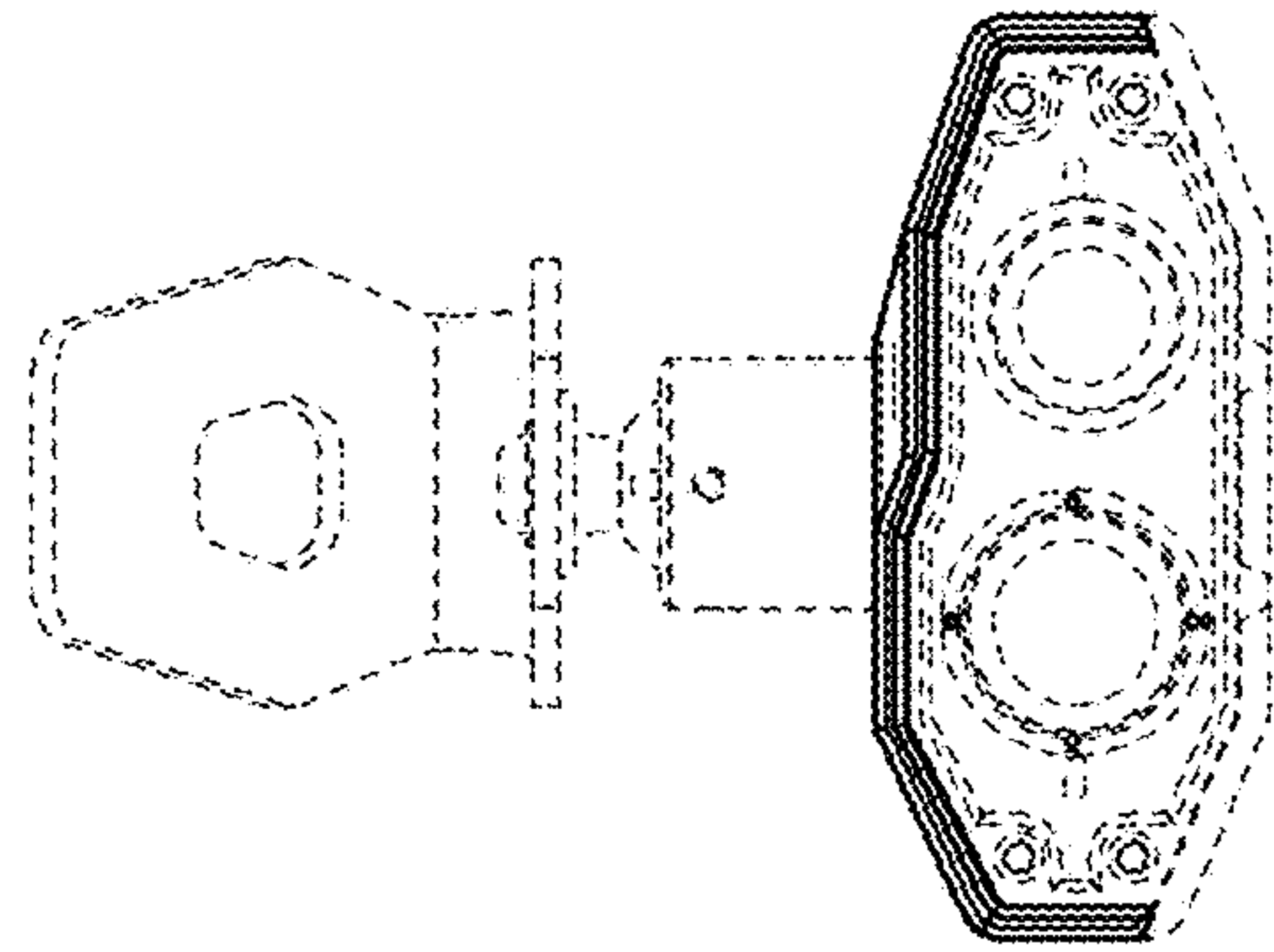


FIG. 6