



US00D949224S

(12) **United States Design Patent**  
**Liao**

(10) **Patent No.:** **US D949,224 S**  
(45) **Date of Patent:** **\*\* Apr. 19, 2022**

(54) **CAMERA**

(71) Applicant: **SHENZHEN AONI ELECTRONIC CO., LTD**, Guangdong (CN)

(72) Inventor: **Fengcheng Liao**, Guangdong (CN)

(73) Assignee: **SHENZHEN AONI ELECTRONIC CO., LTD**, Shenzhen (CN)

(\*\*) Term: **15 Years**

(21) Appl. No.: **29/763,189**

(22) Filed: **Dec. 21, 2020**

(30) **Foreign Application Priority Data**

Sep. 11, 2020 (CN) ..... 202030537135.8

(51) **LOC (13) Cl.** ..... **16-01**

(52) **U.S. Cl.**  
USPC ..... **D16/200**

(58) **Field of Classification Search**

USPC ..... D16/200, 202, 206, 208, 217, 218, 219;  
D10/61, 63, 65, 70, 71, 104.1, 106.7;  
D14/203.1, 204, 209.1, 496, 497  
CPC ..... G03B 15/03; G03B 15/05; G03B 17/02;  
G03B 2219/02; G03B 19/18; H04N  
5/2251; H04N 5/2252; H04N 5/2253;  
H04N 5/2254; H04N 5/22525; H04N  
5/23216; H04N 5/232939; H04N  
2101/00; H04N 7/142

See application file for complete search history.

(56) **References Cited**

**U.S. PATENT DOCUMENTS**

D748,709 S \* 2/2016 Jeong ..... D16/202  
D835,699 S \* 12/2018 Tong ..... D16/218  
D848,501 S \* 5/2019 Read ..... D16/202  
D849,109 S \* 5/2019 Tong ..... D16/218  
D918,982 S \* 5/2021 Dan ..... D16/202  
D936,123 S \* 11/2021 Wu ..... D16/202  
D936,124 S \* 11/2021 Wu ..... D16/202

(Continued)

**FOREIGN PATENT DOCUMENTS**

EP 008282966-0001 \* 12/2020  
EP 008410393-0002 \* 2/2021

**OTHER PUBLICATIONS**

“Webcam Streaming 1080P Full HD with Dual Microphone and Ring Light, Aoboco USB Pro Web Camera Stream for Windows Laptop Twitch Xbox One Skype YouTube OBS Xsplit (New Webcam 968)” from Amazon.com, first available Dec. 10, 2020 from the internet <https://www.amazon.com/dp/B08Q74YFXM/ref=sspa\_dk\_detail\_2?pf\_rd\_p=9fd3ea7c-b77c-42ac-b43b-c872d3f37c38&pd\_rd\_wg=GmbZy&pf\_rd\_r=2FHGYFQEHEAFEJ1DBJWN&pd\_rd\_w=daa0E&pd\_rd\_r=12f0fa80-560b-4e13-a956-e977d20af288&smid=A2QK3PBXIIWFZL&spLa=ZW5jcnlwdGVkUXVhbGlmaWVyPUExV0ZaT1ZCTkdGRjEmZW5jcnlwdGVkSWQ9QTAzMDkyMTQzRUg5UUFRWBBV0dYJmVuY3J5cHRIZEFkSWQ9QTA2NDc0NTYyMkpKNUJRRDJNMVEwJndpZGdlldE5hbWU9c3BfZGV0YWIsJmFjdGlvbj1jbGlja1JlZGl5ZW50JmRvTm90TG9nQ2xpY2s9dHJlZQ&th=1>(Year: 2020).\*

(Continued)

*Primary Examiner* — Rosemary K Tarcza  
*Assistant Examiner* — Lacey Chey Bowman

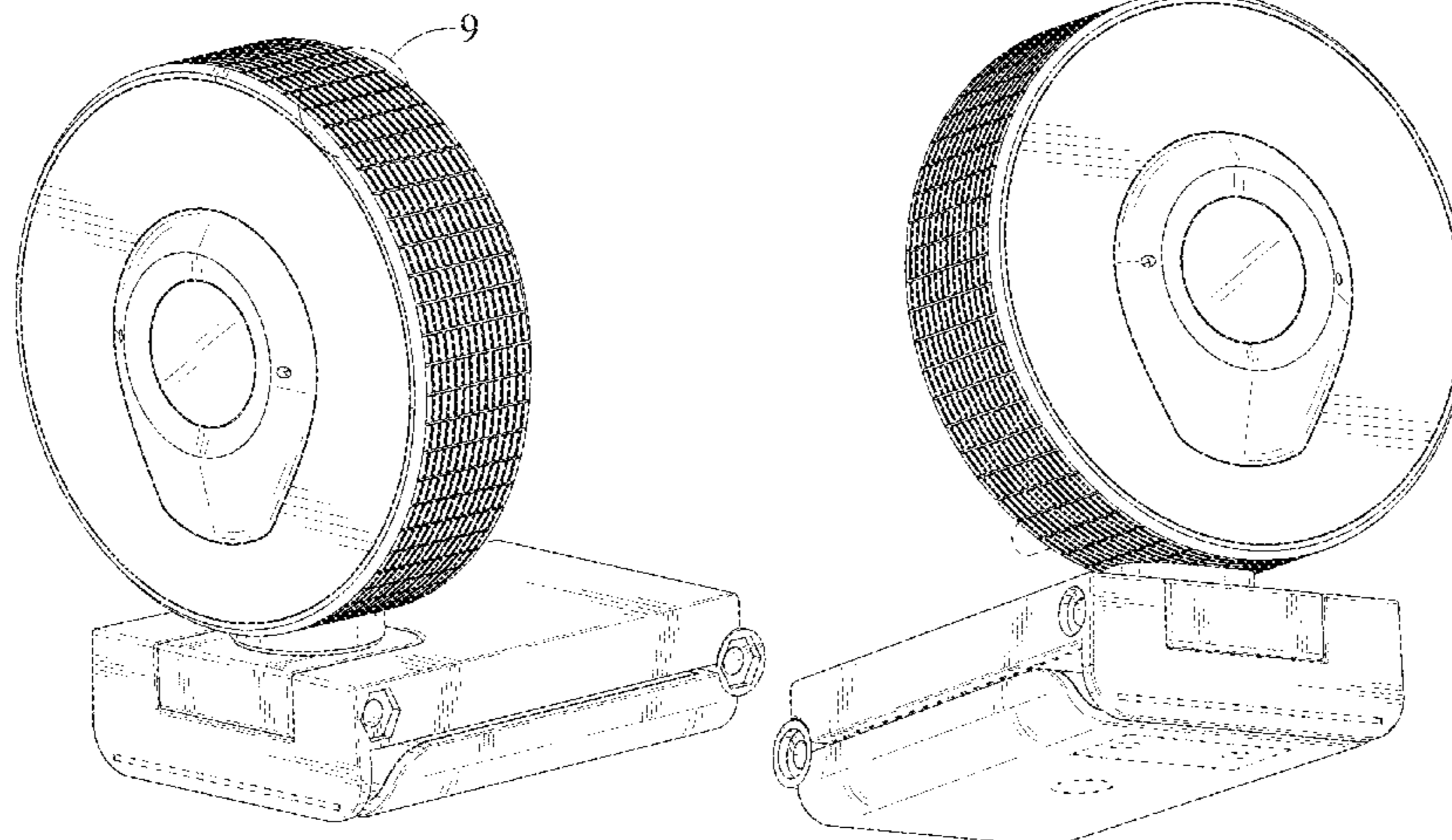
(57) **CLAIM**

The ornamental design for a camera, as shown and described.

**DESCRIPTION**

FIG. 1 is a top, front and right side perspective view of a camera showing my new design;  
FIG. 2 is a bottom, front and left side perspective view thereof;  
FIG. 3 is a front elevational view thereof;  
FIG. 4 is a rear elevational view thereof;  
FIG. 5 is a left side view thereof;  
FIG. 6 is a right side view thereof;  
FIG. 7 is a top plan view thereof;  
FIG. 8 is a bottom plan view thereof; and,  
FIG. 9 is an enlarged view of portion 9 in FIG. 1.

(Continued)



The oblique shade lines in the drawings represent a transparent surface.

The broken lines in the drawings illustrate portions of the camera which form no part of the claimed design.

**1 Claim, 9 Drawing Sheets**

(56)

**References Cited**

U.S. PATENT DOCUMENTS

D936,125 S	*	11/2021	Wu	.....	D16/202
D936,126 S	*	11/2021	Wu	.....	D16/202
D936,127 S	*	11/2021	Wu	.....	D16/202
D939,606 S	*	12/2021	Wu	.....	D16/202

OTHER PUBLICATIONS

“Webcam 1080P HD with Dual Microphone 3-Level Ring Light, USB 2.0/3.0 Plug & Play 120° Wide Angel Computer Camera for PC/MAC/TV, Streaming, YouTube, Skype, Zoom, Xbox Gaming, Study, Conference” from Amazon.com Oct. 22, 2020 from the internet <<https://www.amazon.com/Microphone-Ring-Light-Computer-Streaming-Conference/dp/B08LNRX342>> (Year: 2020).\*

\* cited by examiner

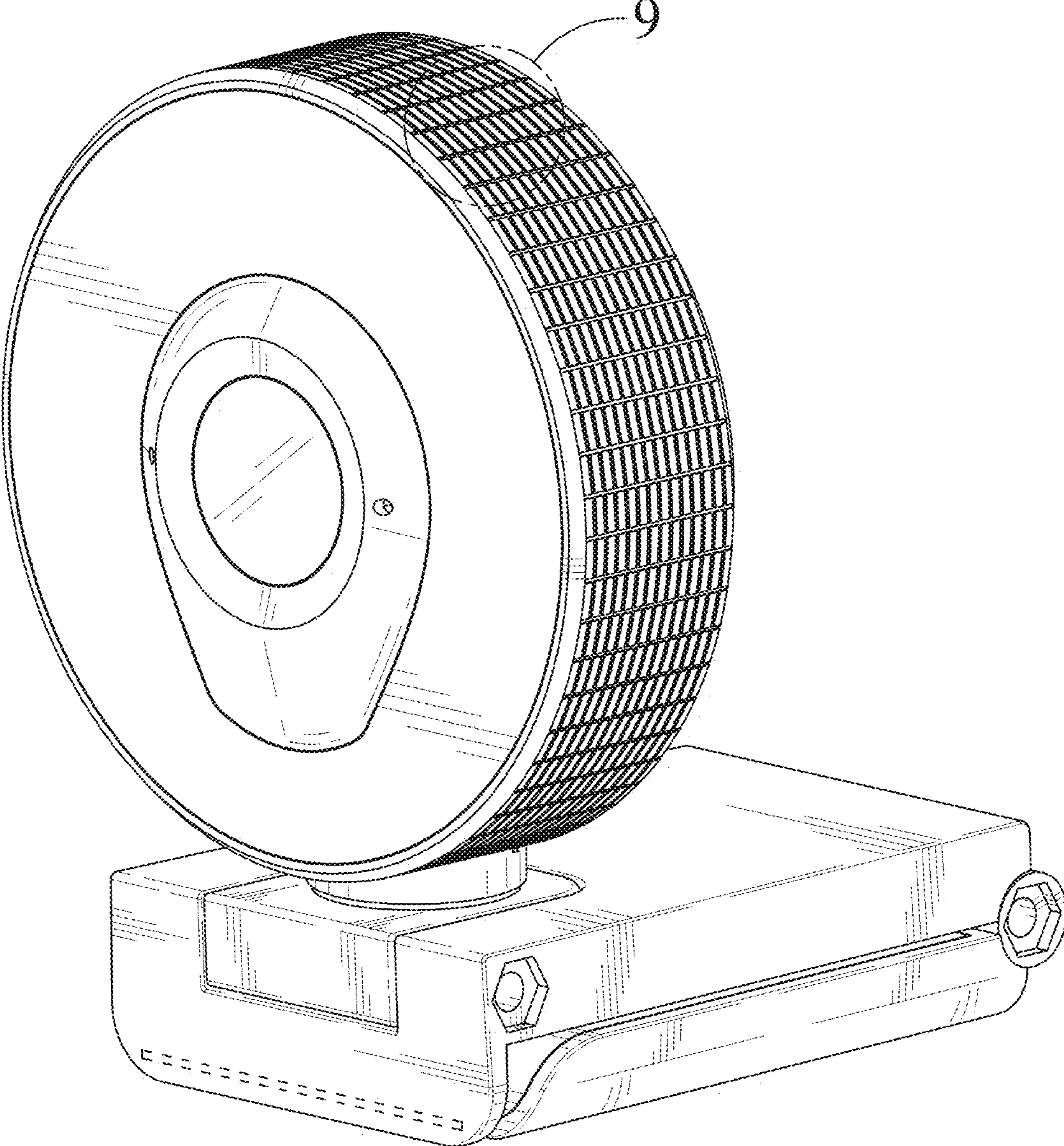


Fig. 1

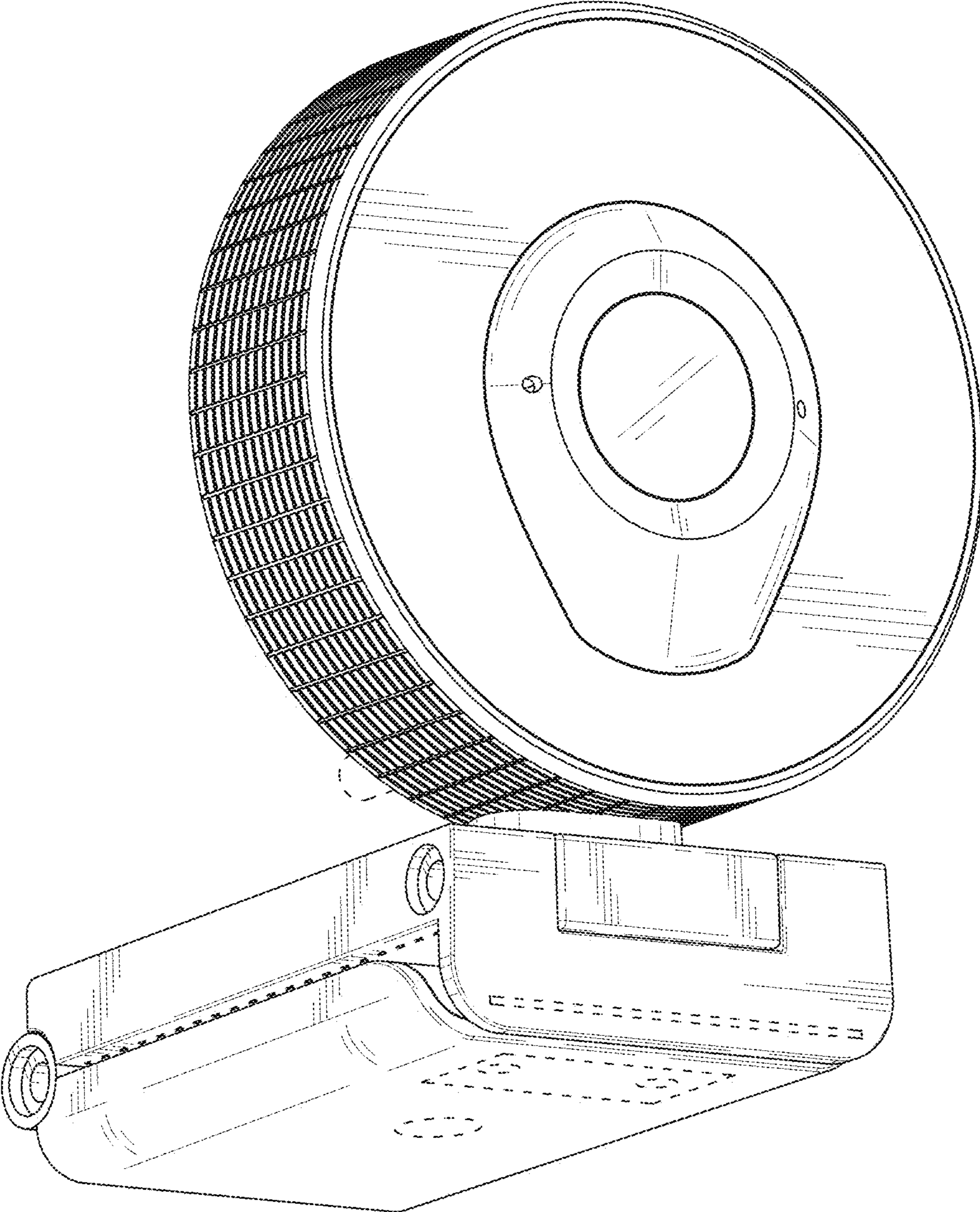


Fig. 2

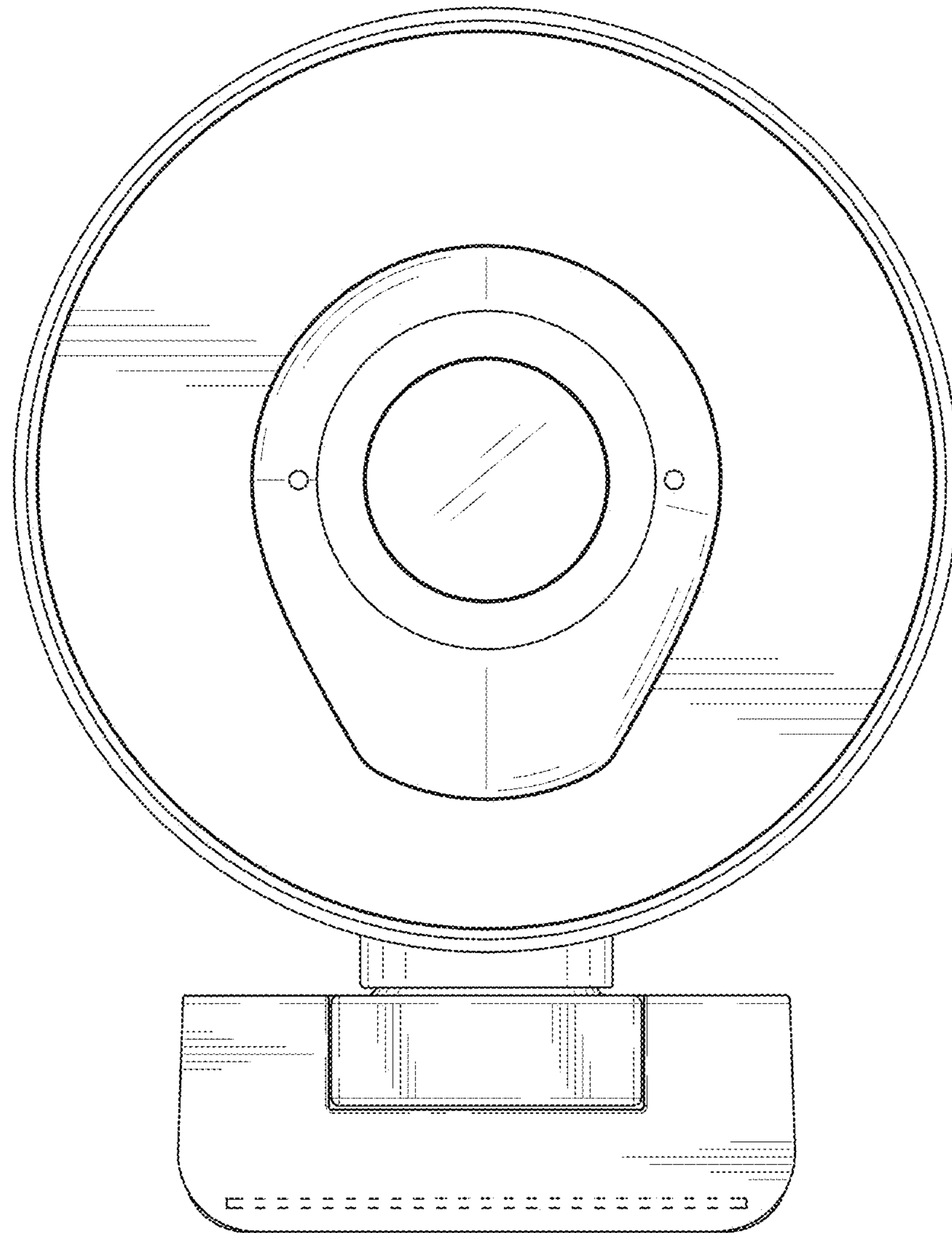


Fig. 3

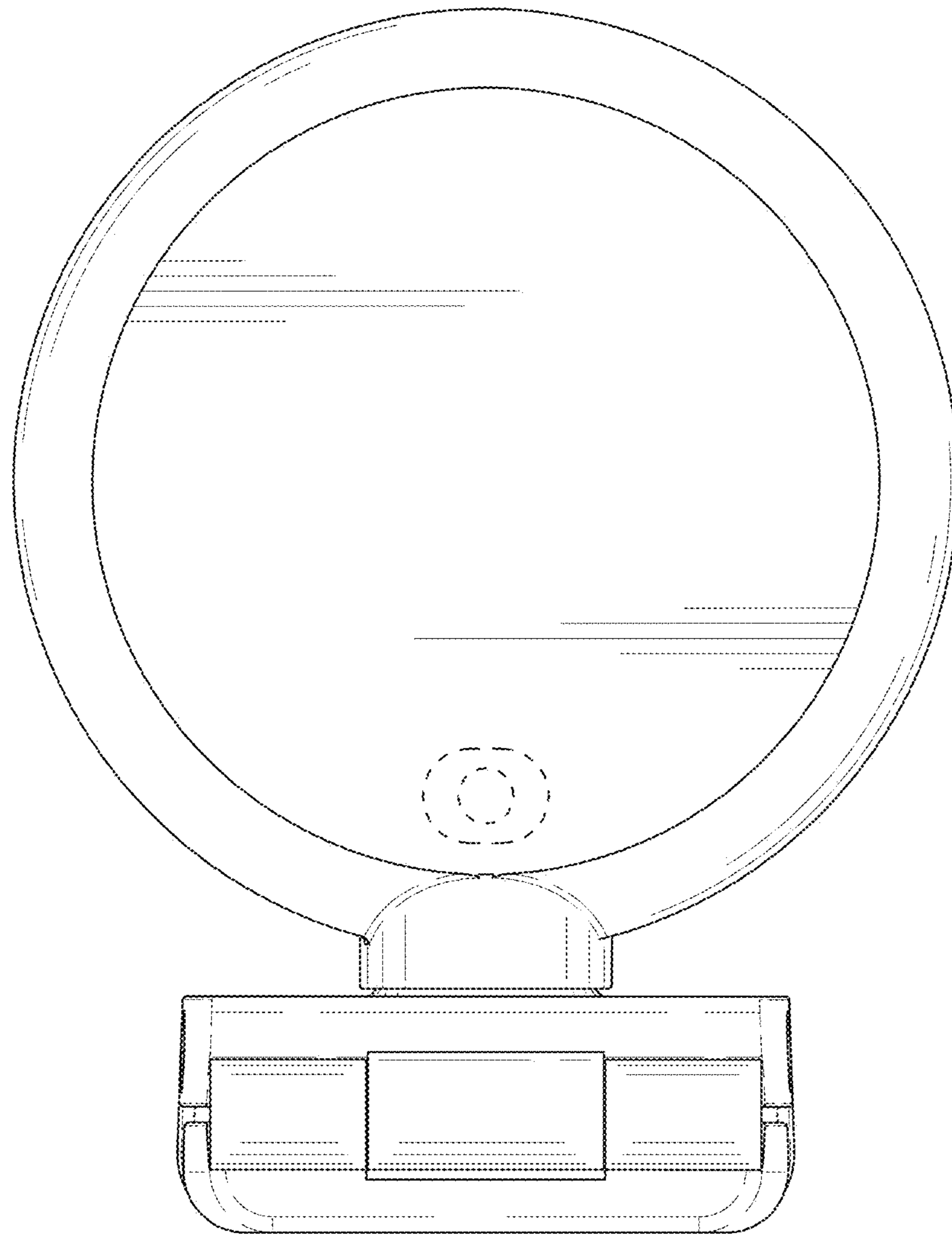


Fig. 4

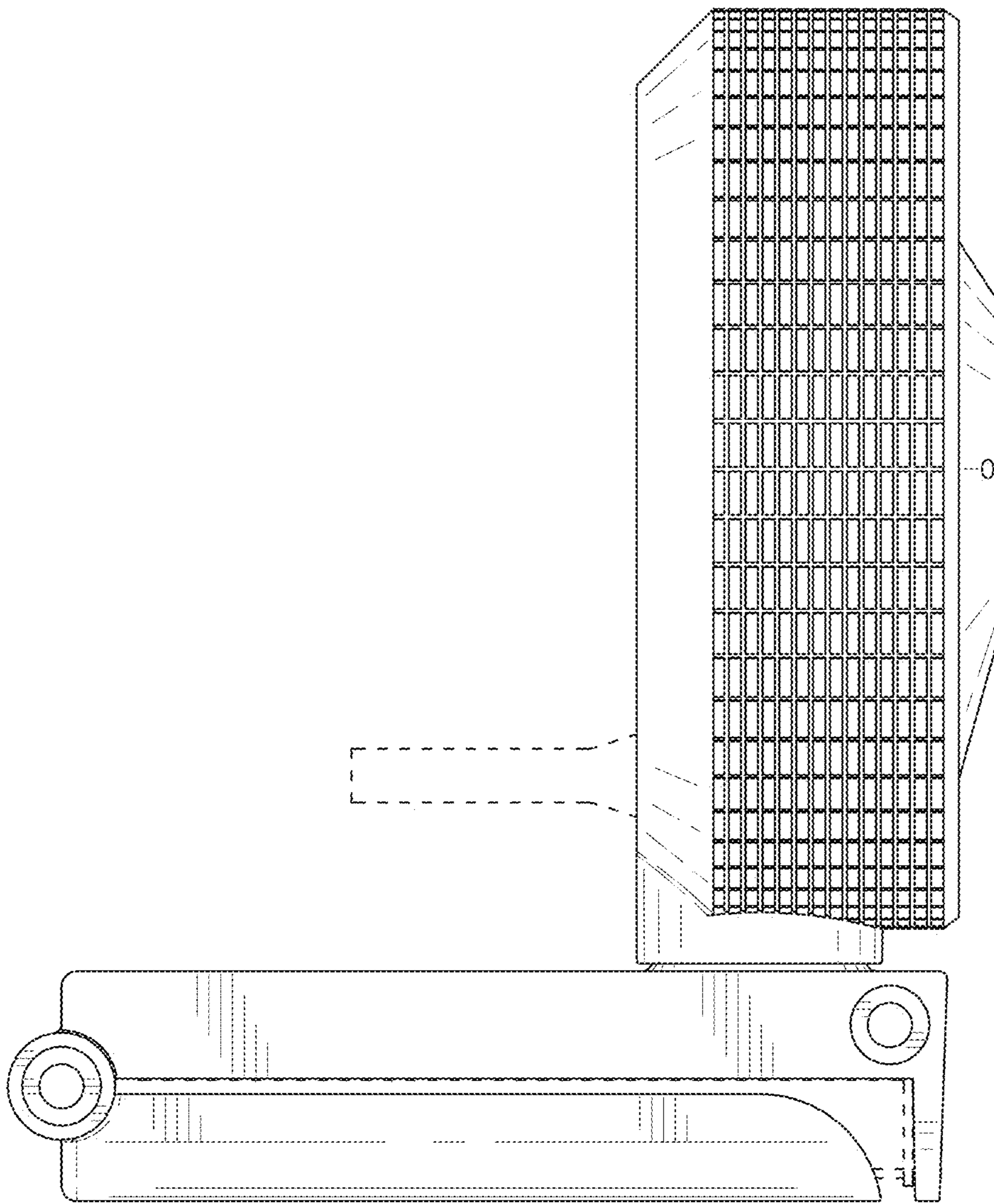


Fig. 5

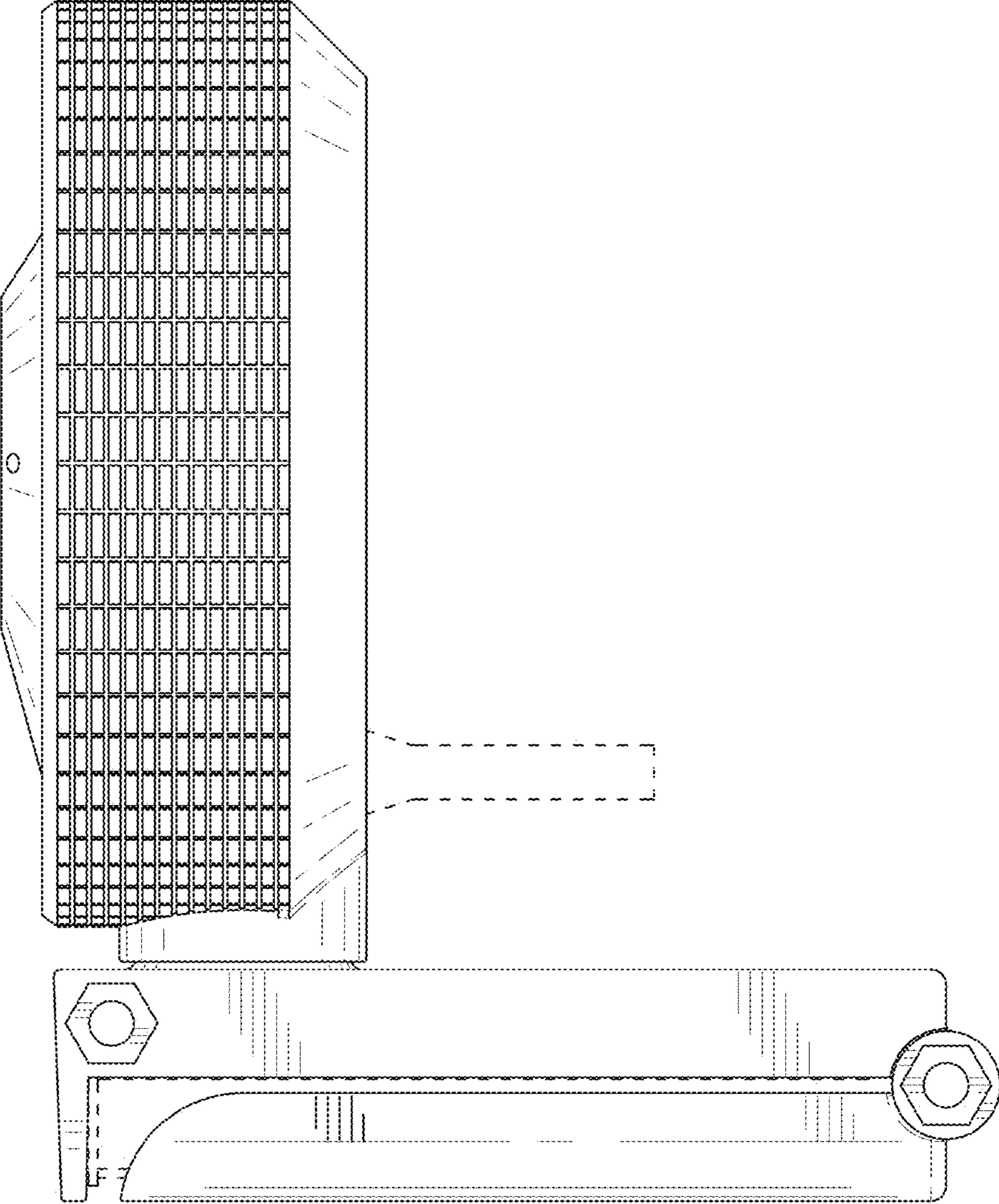


Fig. 6



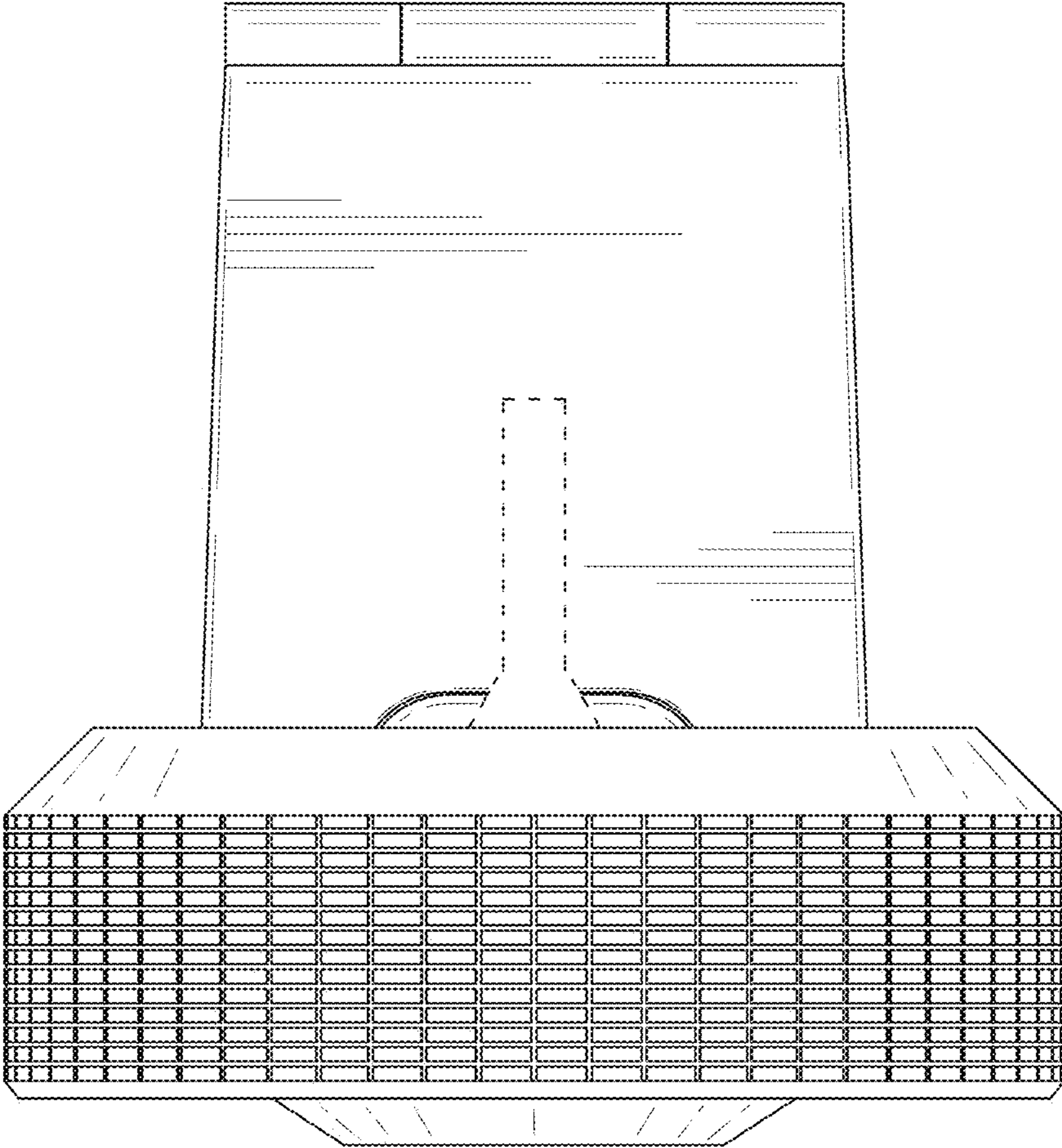


Fig. 7

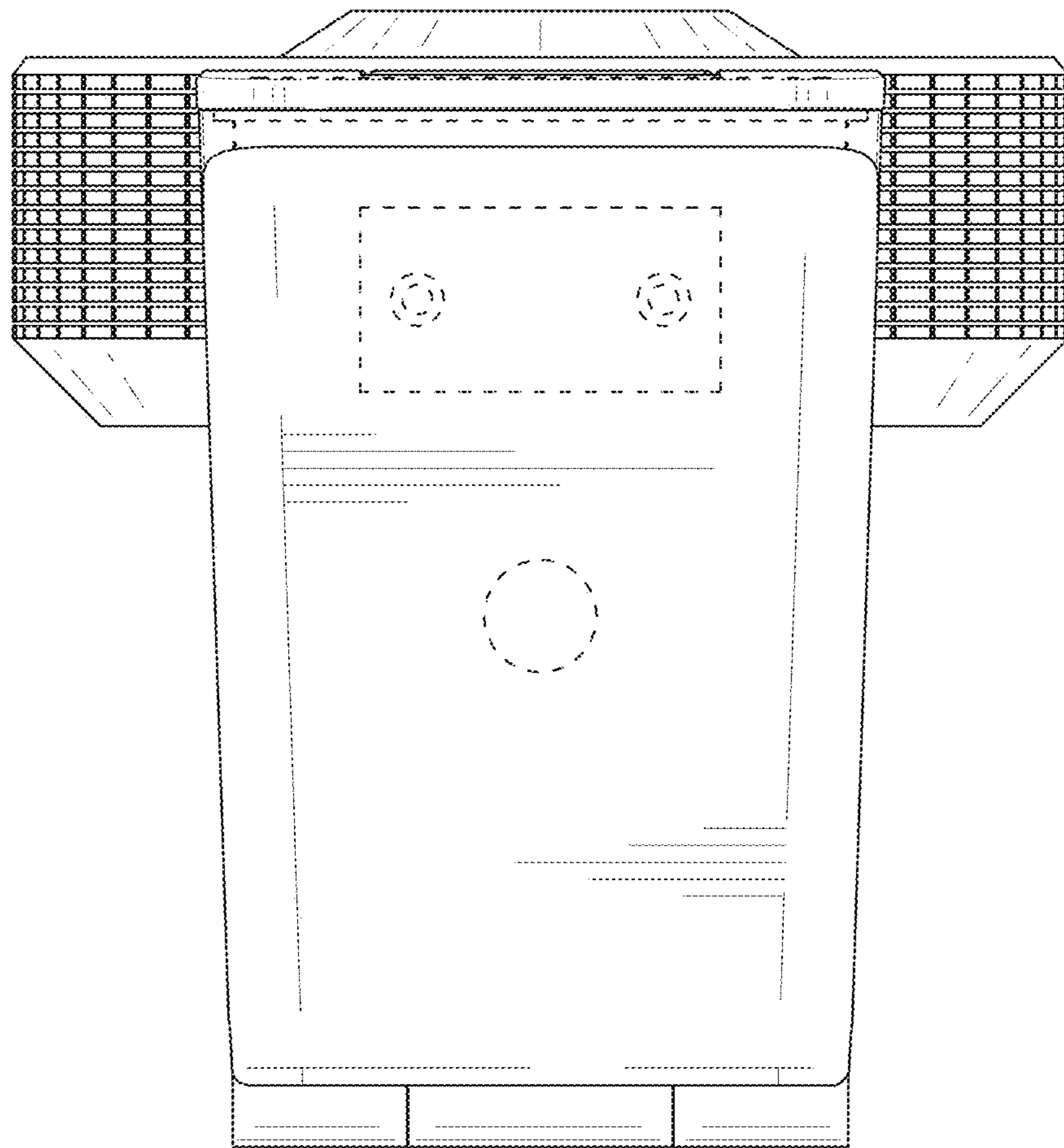


Fig. 8

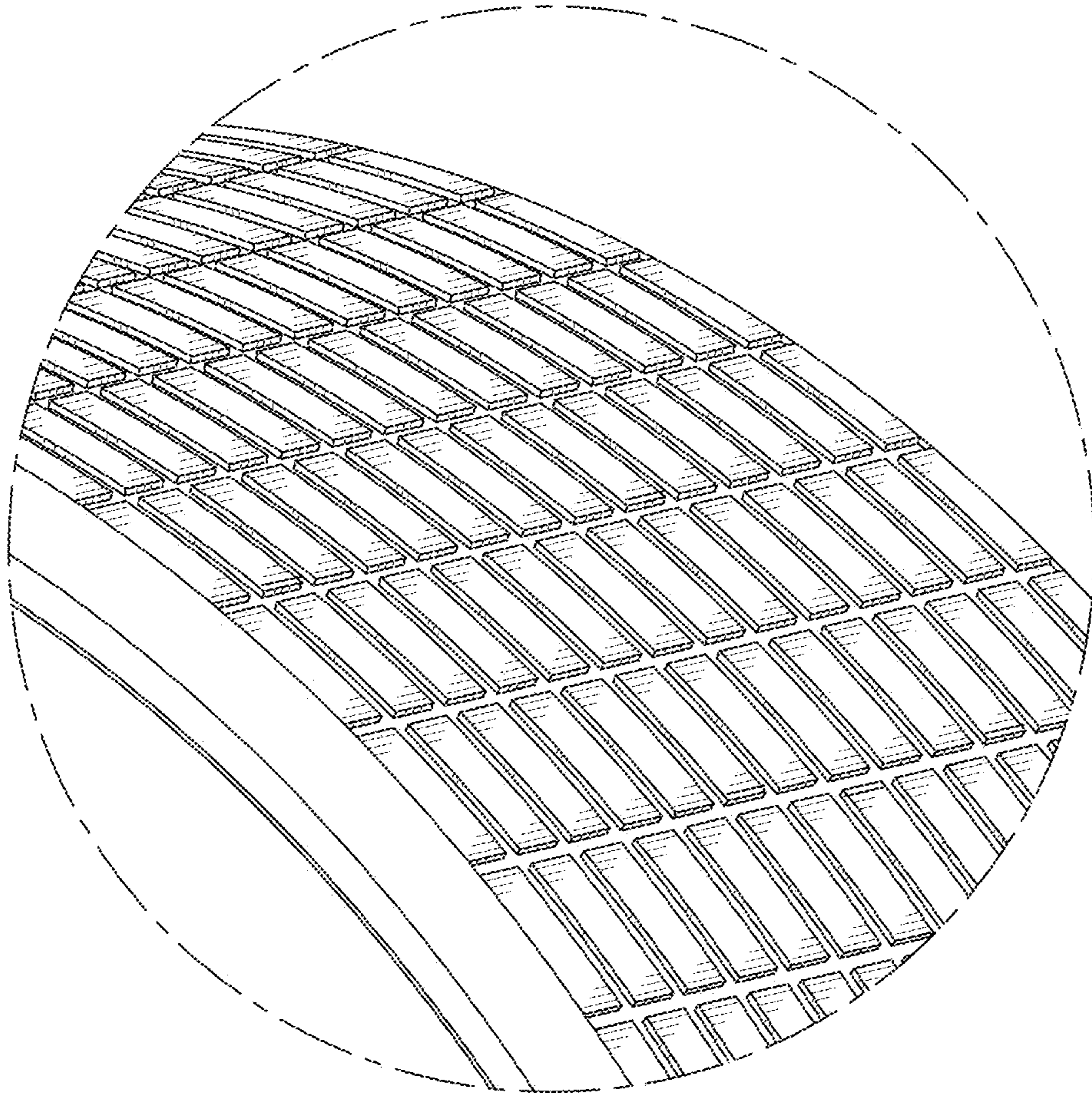


Fig. 9